

NOTES

- 1) CAUTION: SHOCK HAZARD!! THIS UNIT CONTAINS HAZARDOUS VOLTAGE. DISCONNECT POWER AND BE SURE POWER SUPPLY IS DISCHARGED BEFORE TOUCHING INTERNAL PARTS.
- 2) UNLESS NOTED, RESISTOR VALUES IN OHMS, 1/4W-5% TOL. CAPACITOR VALUES IN MICROFARADS, 50V-10% TOL.
- 3) VOLTAGES ARE MEASURED WITH 1 MEGOHM OSCILLOSCOPE AND 10 MEGOHM DIGITAL VOLTMETER.
- 4) CIRCUIT GROUND \equiv SWITCH GROUND ∇ CHASSIS GROUND \oplus
- 5) * - INDICATES ASSIGNED VALUES FOR (R12,C5,C9,R62) ON THE G-130CLXH VERSION.

CAUTION:
THIS SCHEMATIC IS PROVIDED FOR USE BY QUALIFIED PERSONNEL. TO AVOID RISK OF ELECTRIC SHOCK, REFER SERVICING TO QUALIFIED SERVICE PERSONNEL. DO NOT PERFORM ANY SERVICING BEYOND THAT EXPLAINED IN THE OPERATING INSTRUCTIONS.

DESIGNATOR	DESCRIPTION	PART NO.
AP-1	10K TRIM	71-103-02
D1,2,4,7,10,13,21,22,34,35		
D3,6,9,12	1N754	21A754-01
D5,8,11,14,16,18,19,23-26,28,29,32,33	1N746	21A146-01
D15,17	1N914	21A914-01
D20	1N4737	21A4737-01
D22,31	YELLOW LED	21-226-01
D30	RED LED	21-224-01
	GREEN LED	21-225-01
IC1-6,8,9,12	4558	37-458-01
IC7	NE5532	37-532-01
IC10	MN3007	37-307-01
IC11	MN3101	37-301-01
J1,2	1/4" CLIFF T/R/S	39-117-01
J3,4	1/4" CLIFF T/R/S	39-116-01
J5-8	.187" FASTON TAB	17-894-01
J9	11 PIN HEADER	17-310-11
P1,13	100KRA	70-104-23
P2,6,9	50KL	70-133-01
P3	50KRA	70-503-23
P4	250KL	70-306-01
P5,10	10KA	70-103-22
P7	50KA	70-503-22
P8	2KA	70-202-22
P11,12	10KL	70-132-01
Q1-7,14,15	J112	96-112-01
Q8,9	2N5210	96-510-01
Q10,11	MPSA06	96-806-01
Q12,13	2N5087	96-587-01
Q16,17	MPS-455	96-455-01
Q18	2N5638	96-538-01
S1-4	MINI DPDT SWITCH	98-302-01

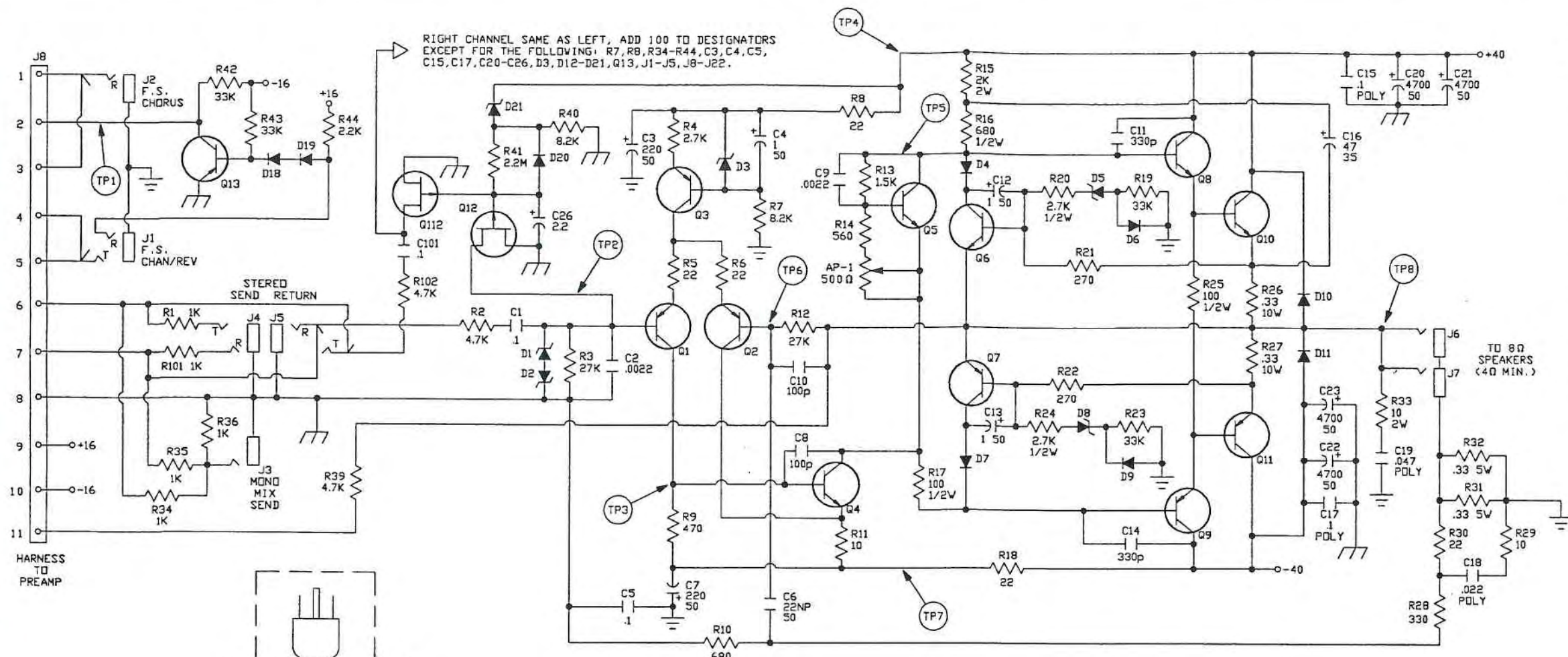
TEST POINTS	VOLTAGE	WAVE	VOLTAGE	WAVE	SPEC CONDITIONS
1	170mV-p		60mV-p		
2	.92mV-p		0		
3	18V-p		0		
4	10V-p		0		
5	4V-p		0		
6	3V-p		0		
7	0		4V-p		
8	0		1Vdc		
9	.75V-p		75V-p		FX Level 'line'
9	.3V-p		.7V-p		FX Level 'inst.'
10	3V-p		75V-p		
11	10V-p		2V-p		
12	6V-p		2V-p		
13	3V-p		75V-p		
14	3V-p		75V-p		
15	5V-p		5V-p		9.5Hz w/rate @ 10'
16	15V-p		15V-p		1.5Hz w/rate @ 10'
17	-15Vdc		8Vdc		depth @ 10'
18	8Vdc		-15Vdc		chorus off
18	-15Vdc		-15Vdc		chorus on

* Modulated between 830Hz and 340Hz

REV	DATE	BY	CHK'D	DESCRIPTION
4	10/20/92	SVR		CHANGED TITLE OF DRAWING
C	7/2/92	SVR		CHANGED R62 FROM:1.5K TO:2.2K (-02 VERSION ONLY)
B	03/14/91	MGA		CHANGE VALUE OF IC7
A	9-13-90	ML		ADDED D34,D35,R142,R143, CHANGED Q18 FROM J112 TO 2N5638

SIGNATURES:	DATE:	TUBO BORRARI DR.
DRAWN: ML	6-26-90	ST. LOUIS, MISSOURI 63166
CHK'D: TEK	7-26-90	PROJECT NAME:
APP'D: TEK	7-26-90	GX-130C/GX-130CH
ISSUED:	7-26-90	DRAWING NAME:
PLOT DATE:	10/20/92	PRE-AMP SCHEMATIC
PLOT TIME:	09:40:40	DRAWING 18-130-01 (XL)
FILE NAME:	-130014	NO. 18-131-01 (XLH)
		SCALE: NONE SHEET: 1 of 2

16-130-01 REFLECTS P.C.B. 06A530-01
16-131-01 REFLECTS P.C.B. 06A530-02

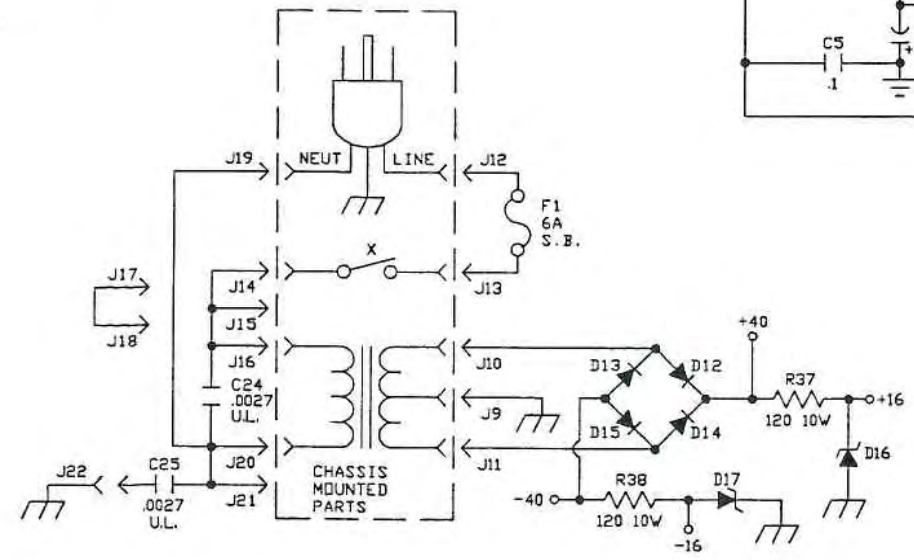


RIGHT CHANNEL SAME AS LEFT, ADD 100 TO DESIGNATORS EXCEPT FOR THE FOLLOWING: R7,R8,R34-R44,C3,C4,C5,C15,C17,C20-C26,D3,D12-D21,Q13,J1-J5,J8-J22.

DESIGNATOR	DESCRIPTION	PART NUMBER
AP1,101	500 OHM TRIM	71-501-02
D1,2,5,8	1N746	21A146-01
D101,102,105	1N746	21A146-01
D108	1N746	21A146-01
D3	1N4740	21A440-01
D4,7,18-20	1N914	21A914-01
D104,107	1N914	21A914-01
D6,9,106,109	1N3070	21A370-01
D10,11,110,111	1N5393	21A593-01
D12-15	G1752	21-752-01
D16,17	1N5353	21-553-01
D21	1N4749	21A449-01
Q1,2,3,7,13	MPS A56	96-056-01
Q101,102,103	MPS A56	96-056-01
Q107	MPS A56	96-056-01
Q4,104	2N3440	96-340-01
Q5,105	2N3402	96-342-01
Q6,106	MPS A06	96-006-01
Q8,108	T1P 31C	96-031-03
Q9,109	T1P 32C	96-032-03
Q10,110	MJ15001	96-101-01
Q11,111	MJ15002	96-102-01
Q12,112	J176	96-176-01
J1-5	1/4"CLIFF TRS	39-118-01
J6,106	1/4"CLIFF T/S	39-116-01
J7,107	1/4"CLIFF T/S	39-116-01
J8	11 PIN HEADER	17-310-11
J9-21	.250"FASTON TAB	17-836-01
J22	GROUND LUG	17-500-01

HARNES TO PREAMP

TO 8Ω SPEAKERS (4Ω MIN.)



EXPORT WIRING

- NOTES
- 1) CAUTION: SHOCK HAZARD!! THIS UNIT CONTAINS HAZARDOUS VOLTAGE. DISCONNECT POWER AND BE SURE POWER SUPPLY IS DISCHARGED BEFORE TOUCHING INTERNAL PARTS.
 - 2) UNLESS NOTED, RESISTOR VALUES IN OHMS, 1/4W-5% TOL. CAPACITOR VALUES IN MICROFARADS, 50V-10% TOL.
 - 3) VOLTAGES ARE MEASURED WITH 1 MEGOHM OSCILLOSCOPE AND 10 MEGOHM DIGITAL VOLT METER.
 - 4) CIRCUIT GROUND ∇ SWITCH GROUND ∇ CHASSIS GROUND ∇
 - 5) SET AP-1 & AP-101 FOR 3mV ACROSS R26,R27,R126 AND R127.

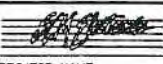
TEST POINTS	VOLTAGE (RMS)	VOLTAGE (DC)
1		-15
2	.32	.7
3		38
4		39
5		4.2
6		.7
7		38.5
8	19	

CONDITIONS: TEST POINTS AND VOLTAGES TO BE SAME FOR BOTH CHANNELS.

16-130-01 REFLECTS P.C.B. 06A530-01
16-131-01 REFLECTS P.C.B. 06A530-02

CAUTION: THIS SCHEMATIC IS PROVIDED FOR USE BY QUALIFIED PERSONNEL. TO AVOID RISK OF ELECTRIC SHOCK, REFER SERVICING TO QUALIFIED SERVICE PERSONNEL. DO NOT PERFORM ANY SERVICING BEYOND THAT EXPLAINED IN THE OPERATING INSTRUCTIONS.

REV	DATE	BY	CHK'D	DESCRIPTION
4	10/22/92	TEXT		CHANGED DRAWING TITLE
3	7/2/92	SWR		CHANGED R62 FROM 1.5K TO 2.2K (-02 VERSION ONLY)
B	03/14/91	MGA		SEE SHEET 1
A	9-13-90	ML		SEE SHEET 1

SIGNATURES:	DATE:	 TIBBO BORNEK DR. ST. LOUIS, MISSOURI 63148
DRAWN: ML	7/26/90	
CHK'D: TEK	7-26-90	PROJECT NAME:
APP'D: TEK	7-28-90	GX-130C/GX-130CH
ORIGINAL ISSUED:		DRAWING NAME:
PLOT DATE:	10/20/92	SCHEMATIC DRAWING
PLOT TIME:	09:49:34	DRAWING NO. 16-130-01 (XL) 16-131-01 (XLHD)
FILE NAME:	-1300114	SCALE: NONE SHEET: 2 of 2