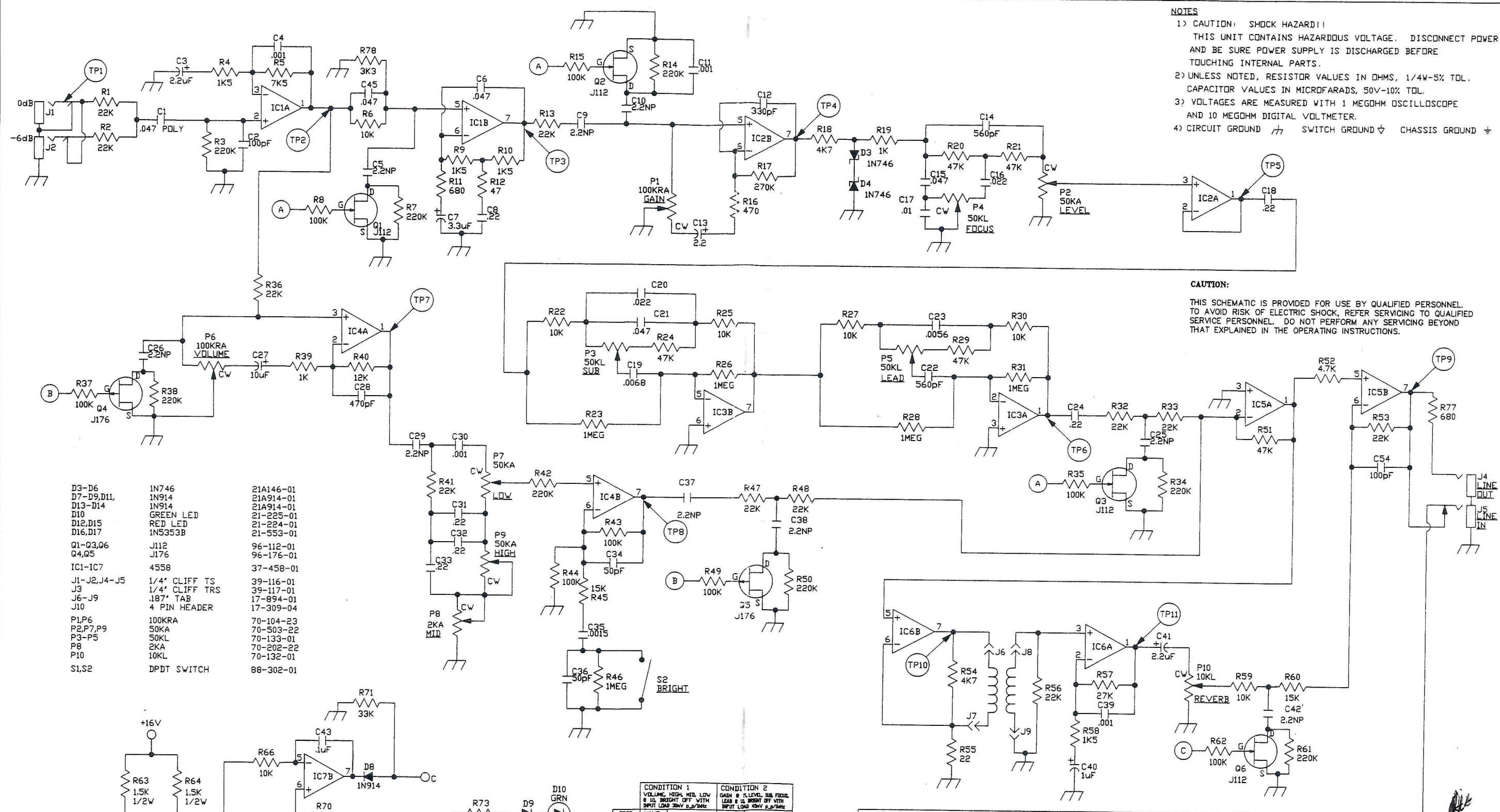


G-MAX PRE-AMP SCHEMATIC



NOTES

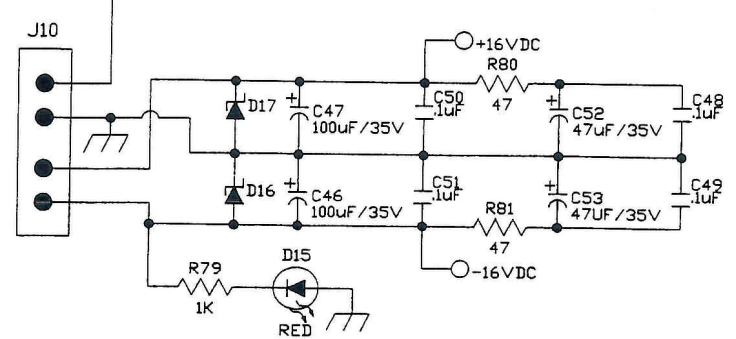
- 1) CAUTION: SHOCK HAZARD!!! THIS UNIT CONTAINS HAZARDOUS VOLTAGE. DISCONNECT POWER AND BE SURE POWER SUPPLY IS DISCHARGED BEFORE TOUCHING INTERNAL PARTS.
- 2) UNLESS NOTED, RESISTOR VALUES IN OHMS, 1/4W-5% TOL. CAPACITOR VALUES IN MICROFARADS, 50V-10% TOL.
- 3) VOLTAGES ARE MEASURED WITH 1 MEGOHM OSCILLOSCOPE AND 10 MEGOHM DIGITAL VOLTMETER.
- 4) CIRCUIT GROUND \perp SWITCH GROUND ∇ CHASSIS GROUND \oplus

CAUTION:
THIS SCHEMATIC IS PROVIDED FOR USE BY QUALIFIED PERSONNEL. TO AVOID RISK OF ELECTRIC SHOCK, REFER SERVICING TO QUALIFIED SERVICE PERSONNEL. DO NOT PERFORM ANY SERVICING BEYOND THAT EXPLAINED IN THE OPERATING INSTRUCTIONS.

- | | | |
|-------------|----------------|-----------|
| D3-D6 | 1N746 | 21A146-01 |
| D7-D9,D11 | 1N914 | 21A914-01 |
| D13-D14 | 1N914 | 21A914-01 |
| D10 | GREEN LED | 21-225-01 |
| D12,D15 | RED LED | 21-224-01 |
| D16,D17 | 1N5353B | 21-553-01 |
| Q1-Q3,Q6 | J112 | 96-112-01 |
| Q4,Q5 | J176 | 96-176-01 |
| IC1-IC7 | 4558 | 37-458-01 |
| J1-J2,J4-J5 | 1/4" CLIFF TS | 39-116-01 |
| J3 | 1/4" CLIFF TRS | 39-117-01 |
| J6-J9 | .187" TAB | 17-894-01 |
| J10 | 4 PIN HEADER | 17-309-04 |
| P1,P6 | 100KRA | 70-104-23 |
| P2,P7,P9 | 50KA | 70-503-22 |
| P3-P5 | 50KL | 70-133-01 |
| P8 | 2KA | 70-202-22 |
| P10 | 10KL | 70-132-01 |
| S1,S2 | DPDT SWITCH | 88-302-01 |

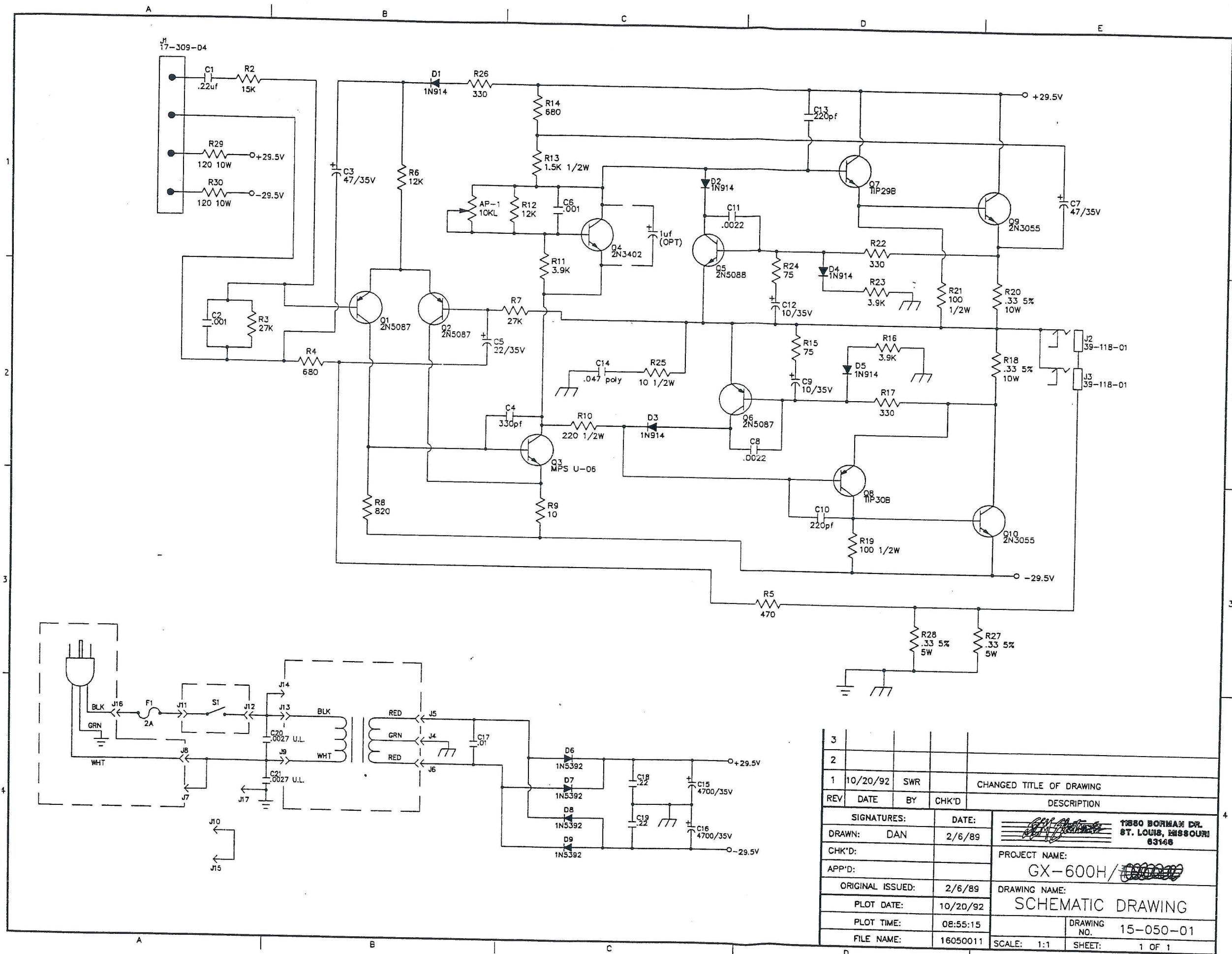
TEST POINT	CONDITION 1 VOLUME HIGH, REVERB LOW # 10 BRIGHT OFF WITH INPUT LOAD 20V p-p/40Hz		CONDITION 2 GAIN @ 5 LEVEL, REVERB HIGH LEAD @ 10 BRIGHT OFF WITH INPUT LOAD 45V p-p/40Hz	
	WAVE FORMS	VOLTAGES	WAVE FORMS	VOLTAGES
1		30mV p-p		45mV p-p
2		180mV p-p		250mV p-p
3		—		1.4V p-p
4		—		23V p-p
5		—		.95V p-p
6		—		1.75V p-p
7		1.7V p-p		—
8		1.14V p-p		—
9		2.3V p-p		3.5V p-p
10		8V p-p		30V p-p
11		.6V p-p		.7V p-p

* VARIES WITH FREQ.

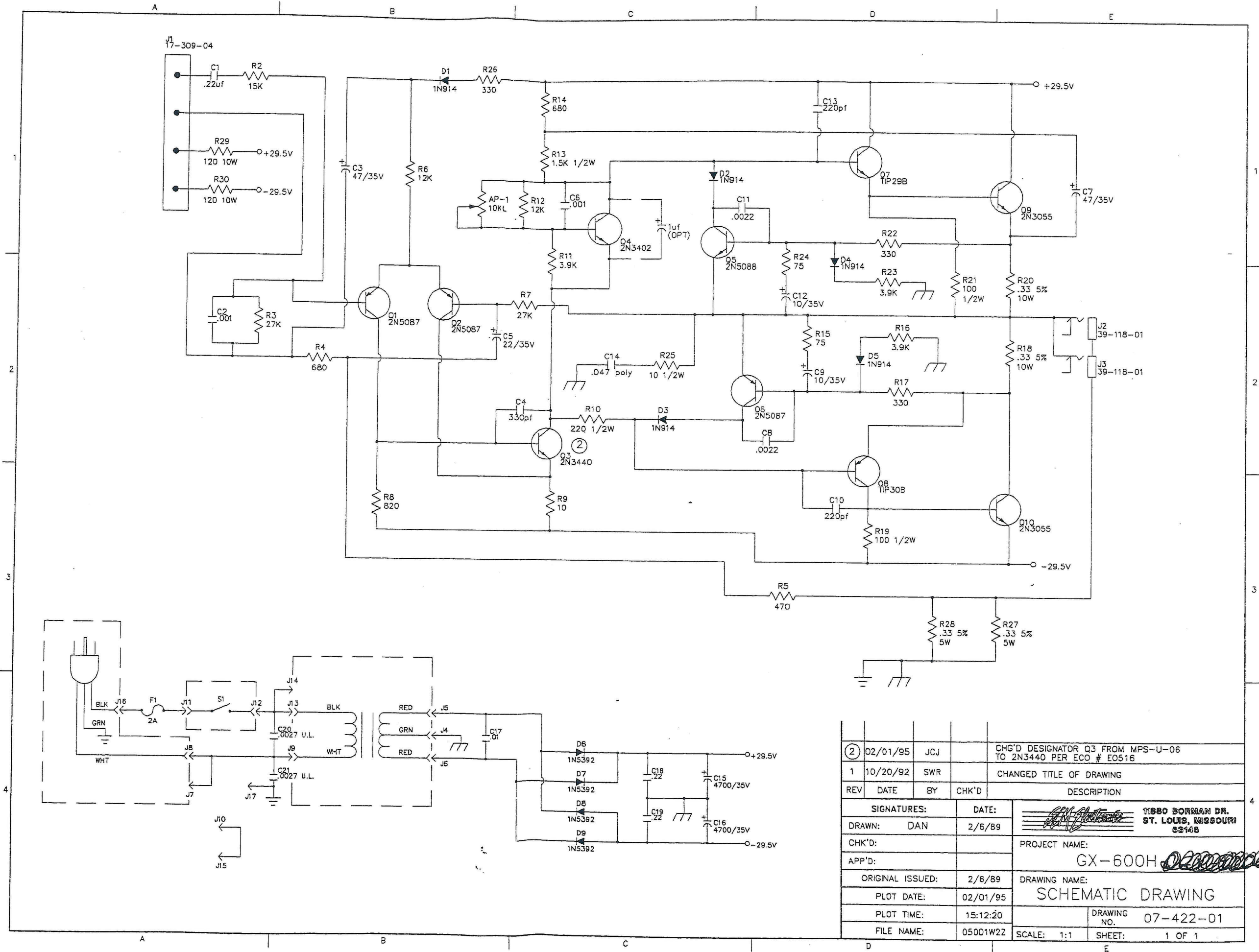




ORIG.	JAF 11-1-89		
VERS.	DRAWN BY	CHECKED BY	APPROVED BY
PAGE #	1 OF 1	DRAWING #	16-522-01
DESCRIPTION: G-MAX PRE AMP SCHEMATIC			

SLM ELECTRONICS
11880 BORMAN DR.
ST. LOUIS, MO 63146



3					
2					
1	10/20/92	SWR		CHANGED TITLE OF DRAWING	
REV	DATE	BY	CHK'D	DESCRIPTION	
SIGNATURES:		DATE:		1880 BORMAN DR. ST. LOUIS, MISSOURI 63148	
DRAWN: DAN		2/6/89		PROJECT NAME: GX-600H/	
CHK'D:				DRAWING NAME: SCHEMATIC DRAWING	
APP'D:				DRAWING NO. 15-050-01	
ORIGINAL ISSUED:		2/6/89		SCALE: 1:1	
PLOT DATE:		10/20/92		SHEET: 1 OF 1	
PLOT TIME:		08:55:15			
FILE NAME:		16050011			



②	02/01/95	JCJ		CHG'D DESIGNATOR Q3 FROM MPS-U-06 TO 2N3440 PER ECO # E0516
1	10/20/92	SWR		CHANGED TITLE OF DRAWING
REV	DATE	BY	CHK'D	DESCRIPTION
SIGNATURES:		DATE:		 11880 BORMAN DR. ST. LOUIS, MISSOURI 63148
DRAWN: DAN		2/6/89		
CHK'D:				PROJECT NAME:
APP'D:				GX-600H 
ORIGINAL ISSUED:		2/6/89		DRAWING NAME:
PLOT DATE:		02/01/95		SCHEMATIC DRAWING
PLOT TIME:		15:12:20		DRAWING NO. 07-422-01
FILE NAME:		05001W2Z		SCALE: 1:1 SHEET: 1 OF 1