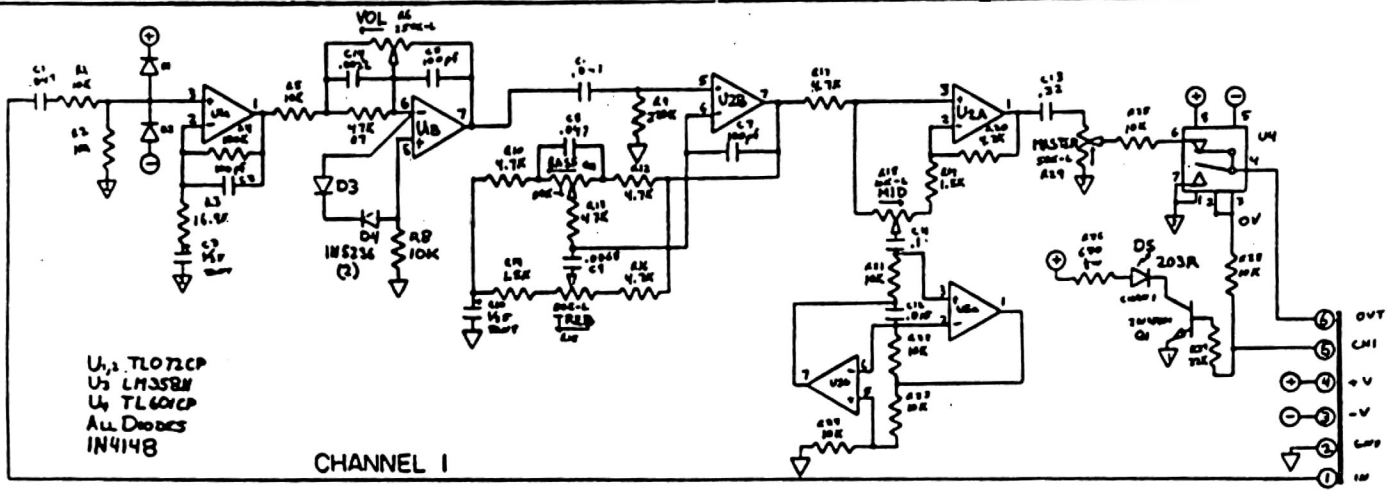


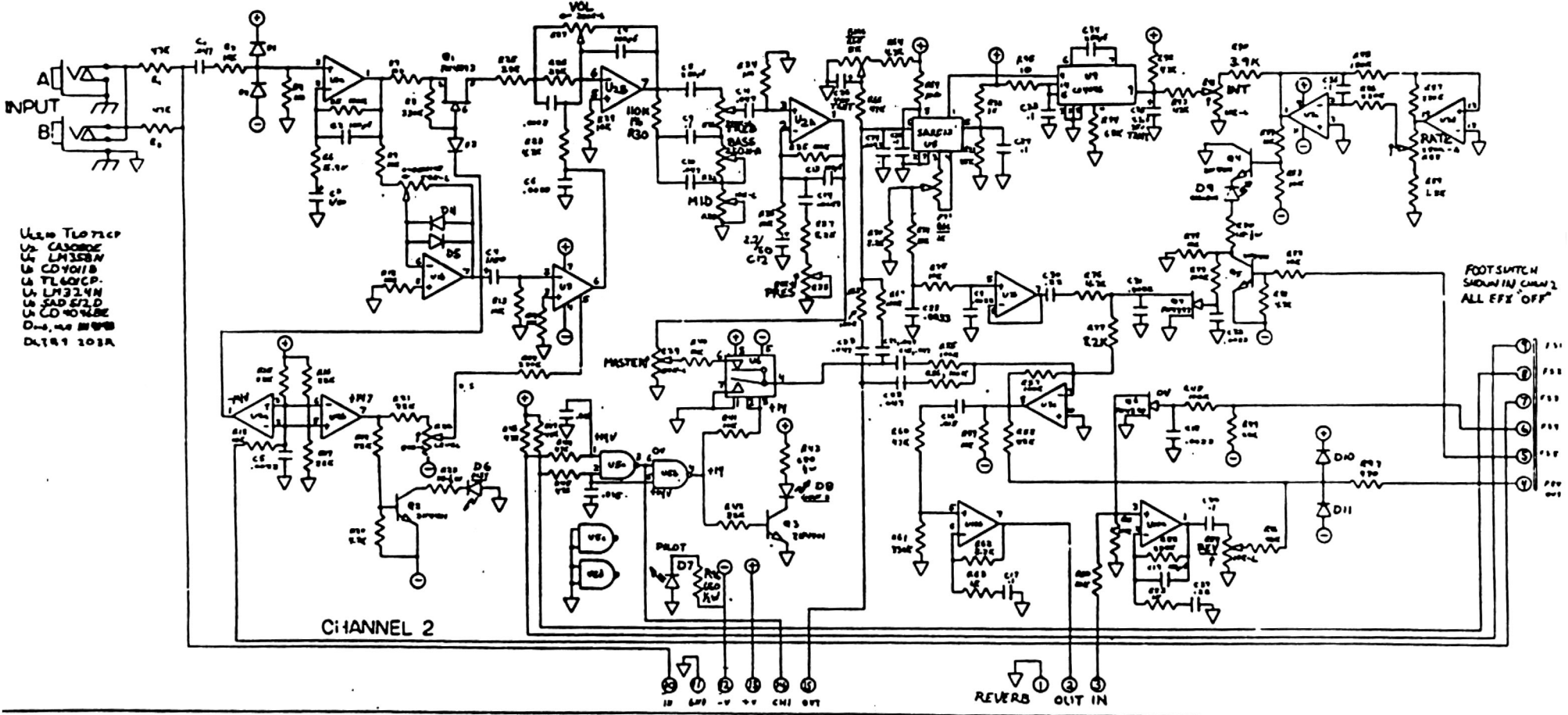
DATE	REVISIONS



U1 TL072CP
 U2 LM358N
 U3 TL602CP
 ALL DIODES
 IN4148

CHANNEL 1

SPECTRA 210/225/410 PREAMPS



U1 TL072CP
 U2 CAS902C
 U3 LM358N
 U4 D4011B
 U5 TL602CP
 U6 LM324N
 U7 555
 U8 D4011B
 U9 D4011B
 U10 D4011B
 U11 555

CHANNEL 2

FOOT SWITCH
 SHOWN IN CHAN 2
 ALL EFF OFF

REVERB OUT IN