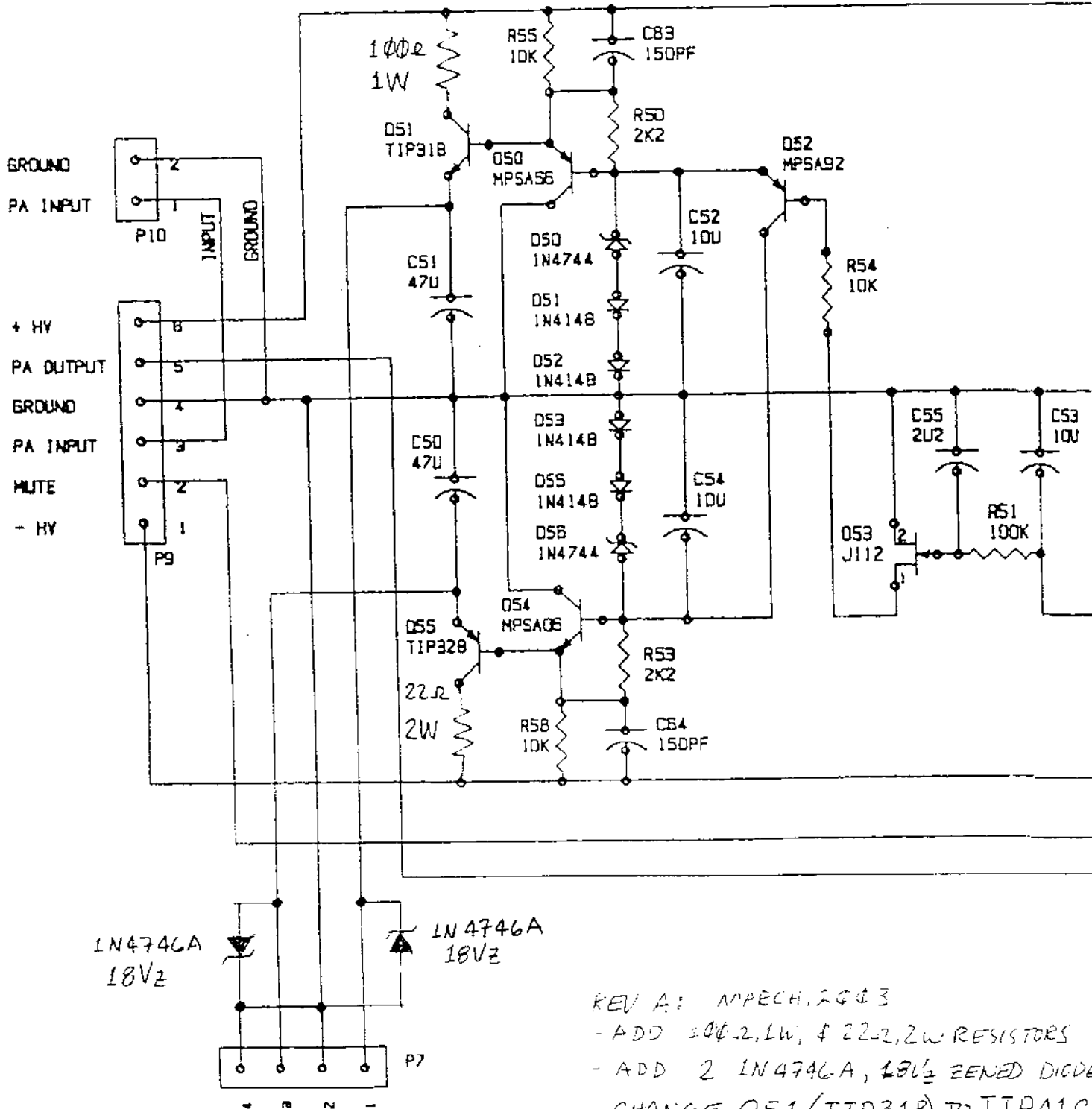


EDEN ELECTRONICS, INC.

P/N 110226.03



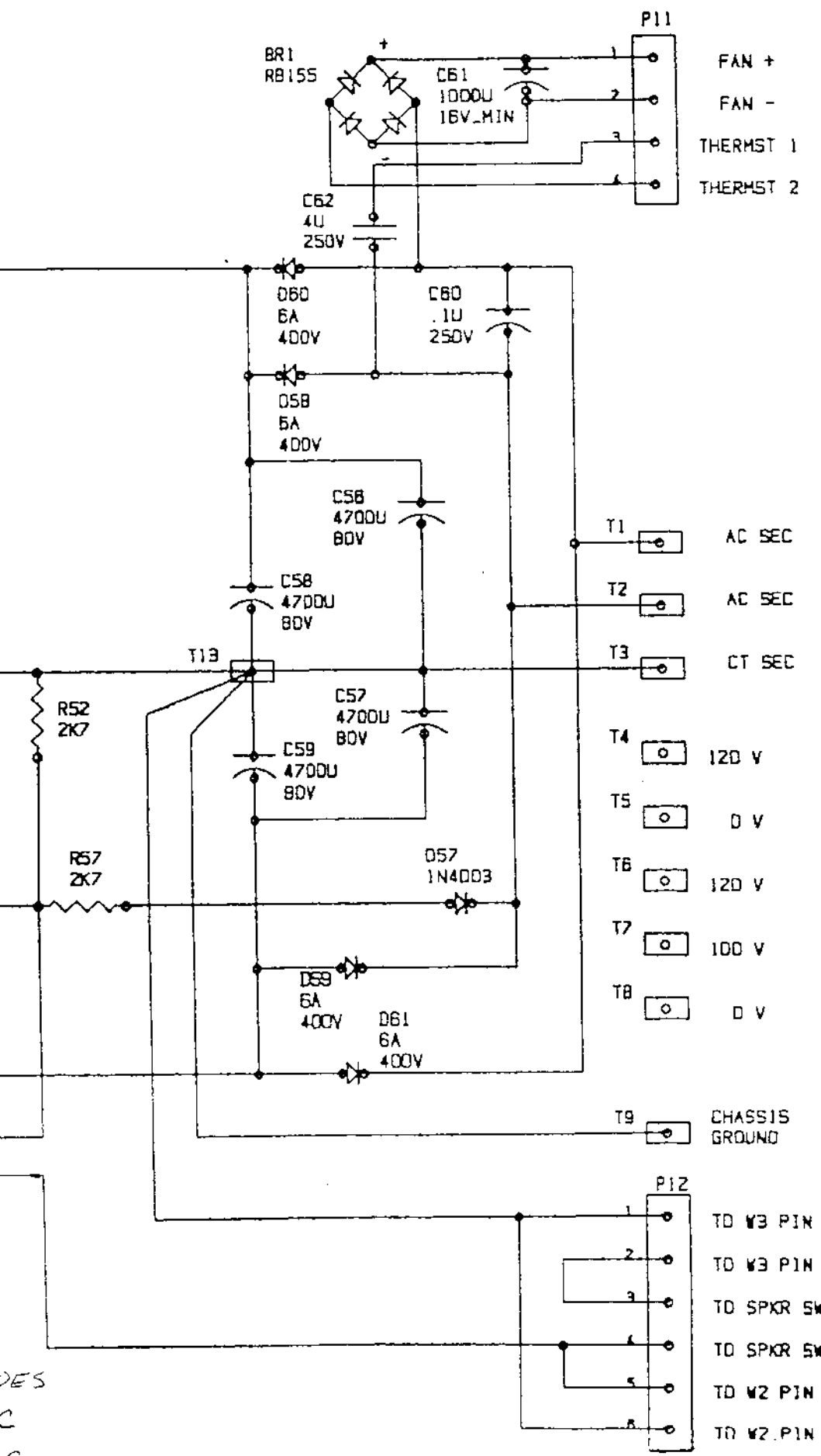
1N4746A
18Vz

1N4746A
18Vz

REV A: MPECH.2003

- ADD 100Ω, 1W, & 22Ω, 2W RESISTORS
- ADD 2 1N4746A, 18Vz ZENED DIODES
- CHANGE Q51 (TIP31B) TO TIP41C
- CHANGE Q55 (TIP32B) TO TIP42C

WT-550 (new?)

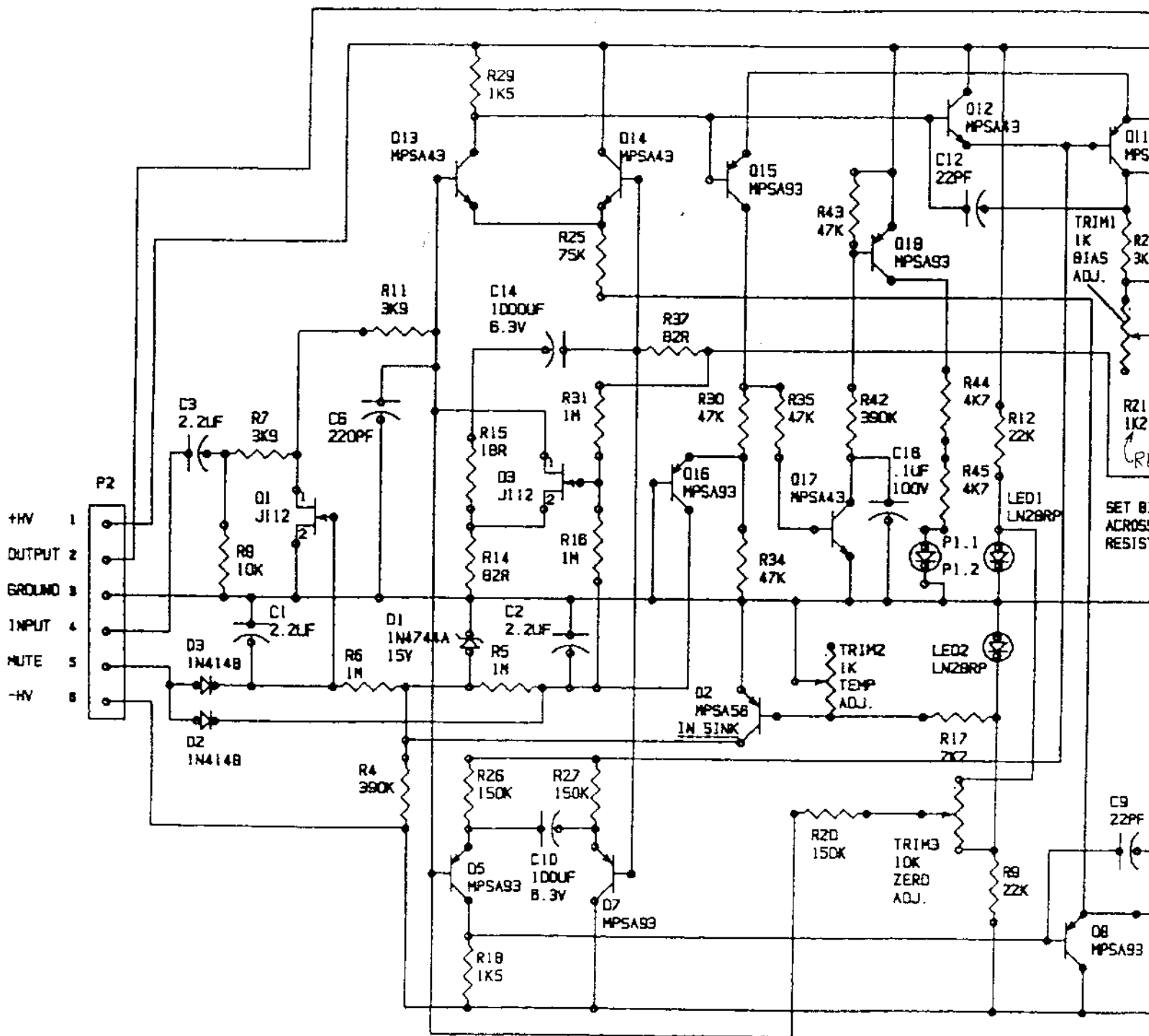


P11
 1 FAN +
 2 FAN -
 3 THERMST 1
 4 THERMST 2

T1 AC SEC
 T2 AC SEC
 T3 CT SEC
 T4 120 V
 T5 0 V
 T6 120 V
 T7 100 V
 T8 0 V
 T9 CHASSIS GROUND

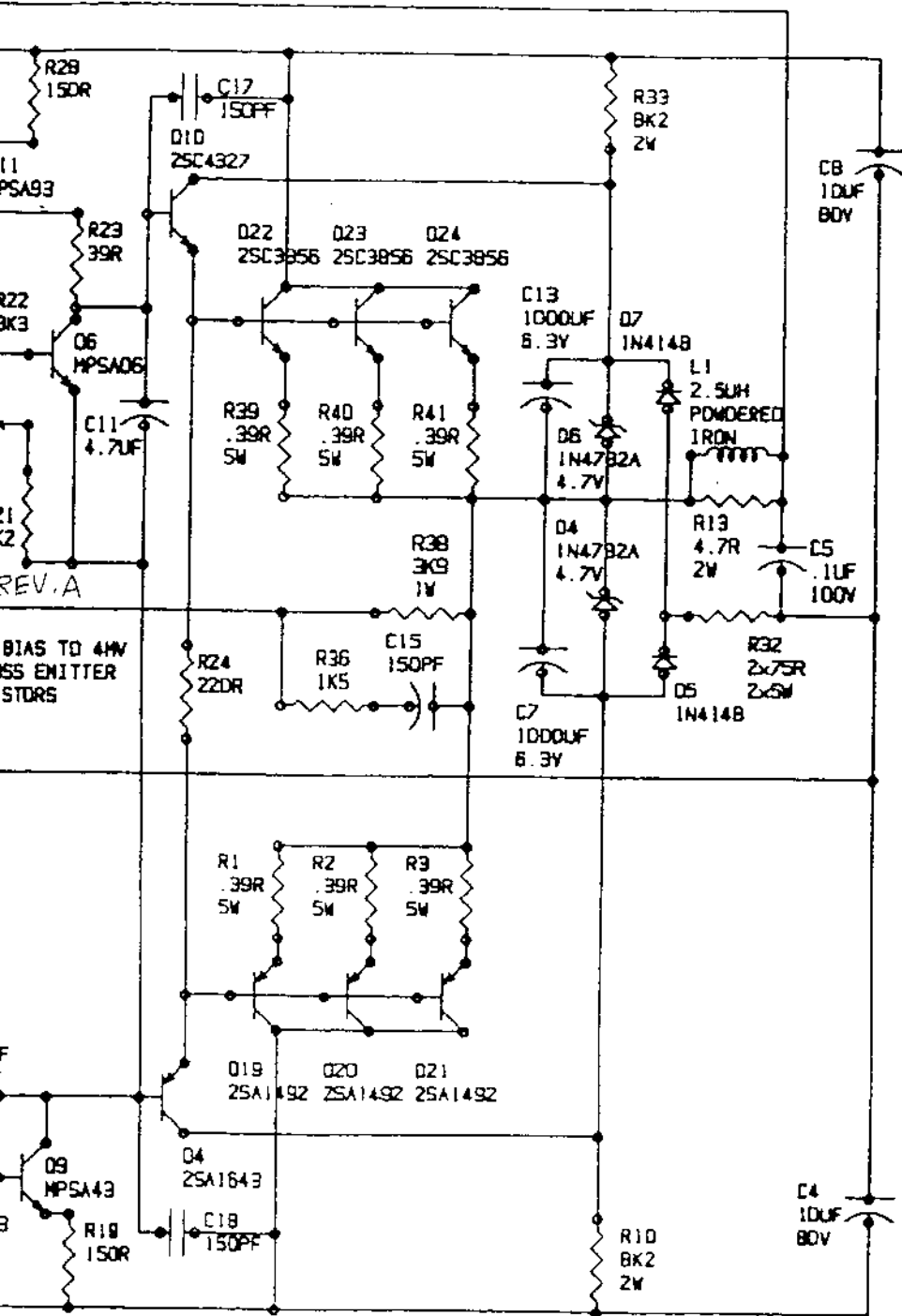
P12
 1 TO W3 PIN 1
 2 TO W3 PIN 2
 3 TO SPKR SW.
 4 TO SPKR SW.
 5 TO W2 PIN 2
 6 TO W2 PIN 1

DES
 C
 C



EDEN ELECTRONICS, INC.
P/N 110227.03

WT-550



1 MARCH, 2003
REV. A
R21 CHANGED TO 4.7KΩ.

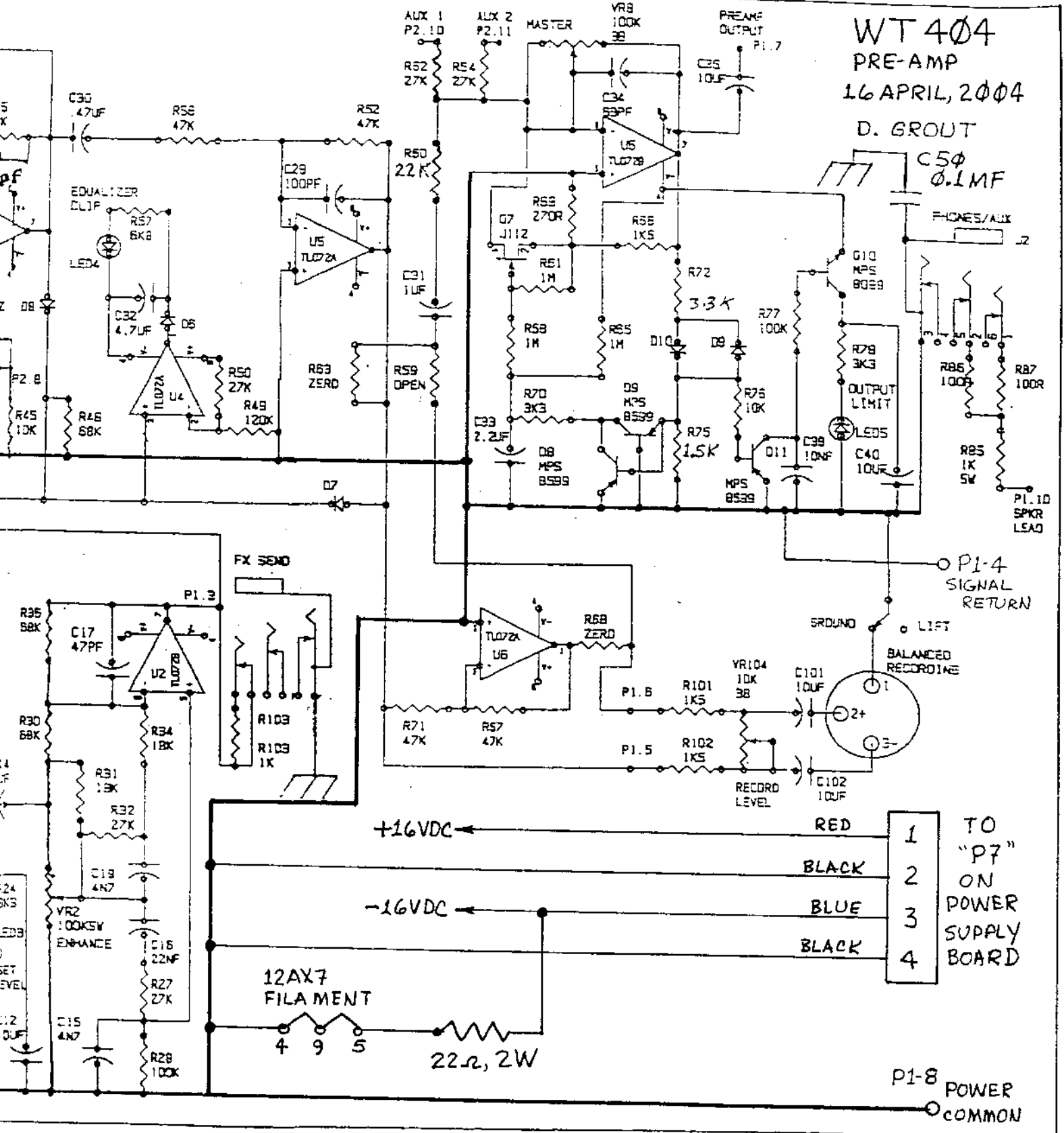
TRAVELER (+) (WT550)
TIME TRAVELER (WT330)
POWER AMPLIFIER
18 MARCH, 2004

NC.

WT 550

WT 404
PRE-AMP
16 APRIL, 2004

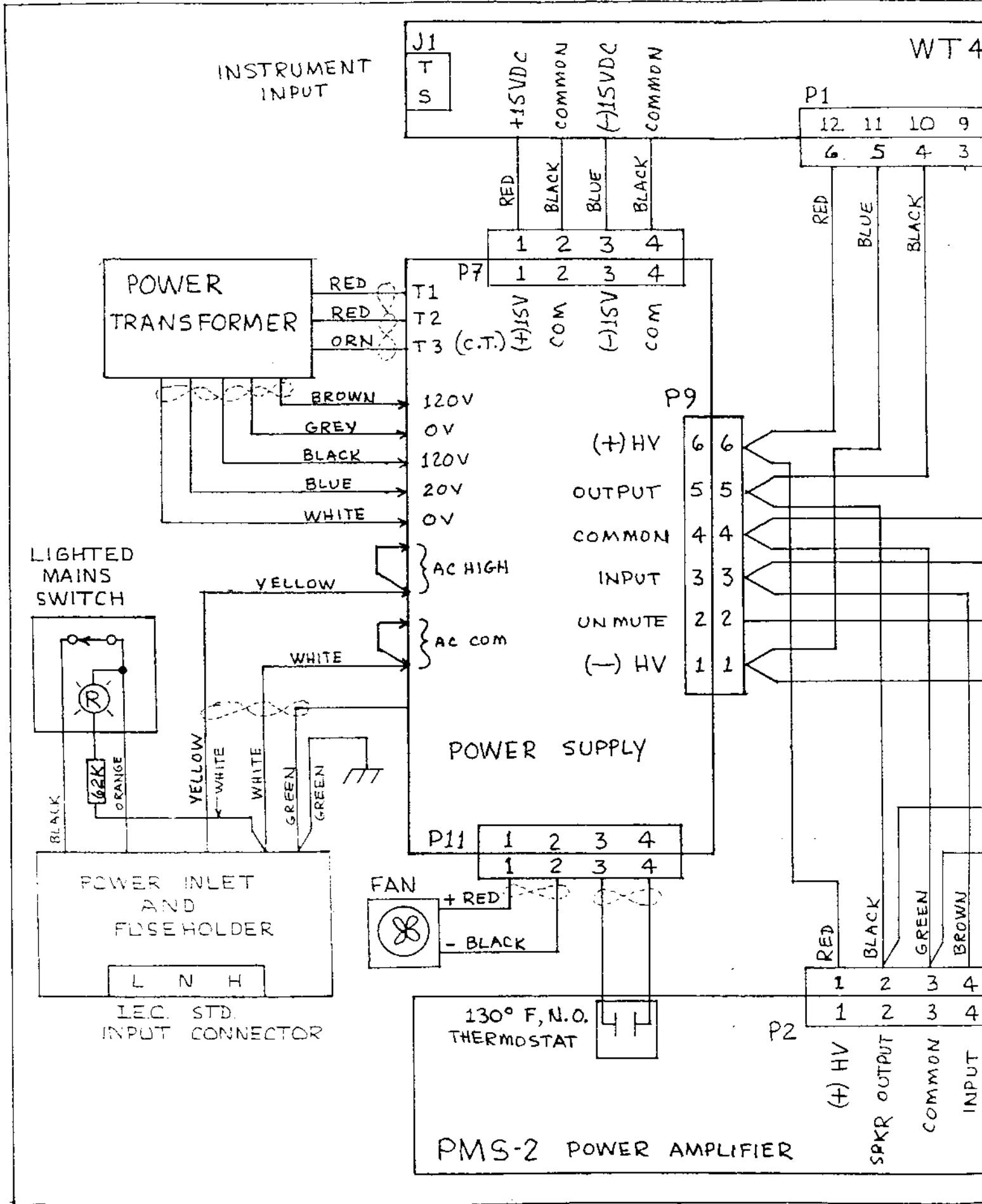
D. GROUT



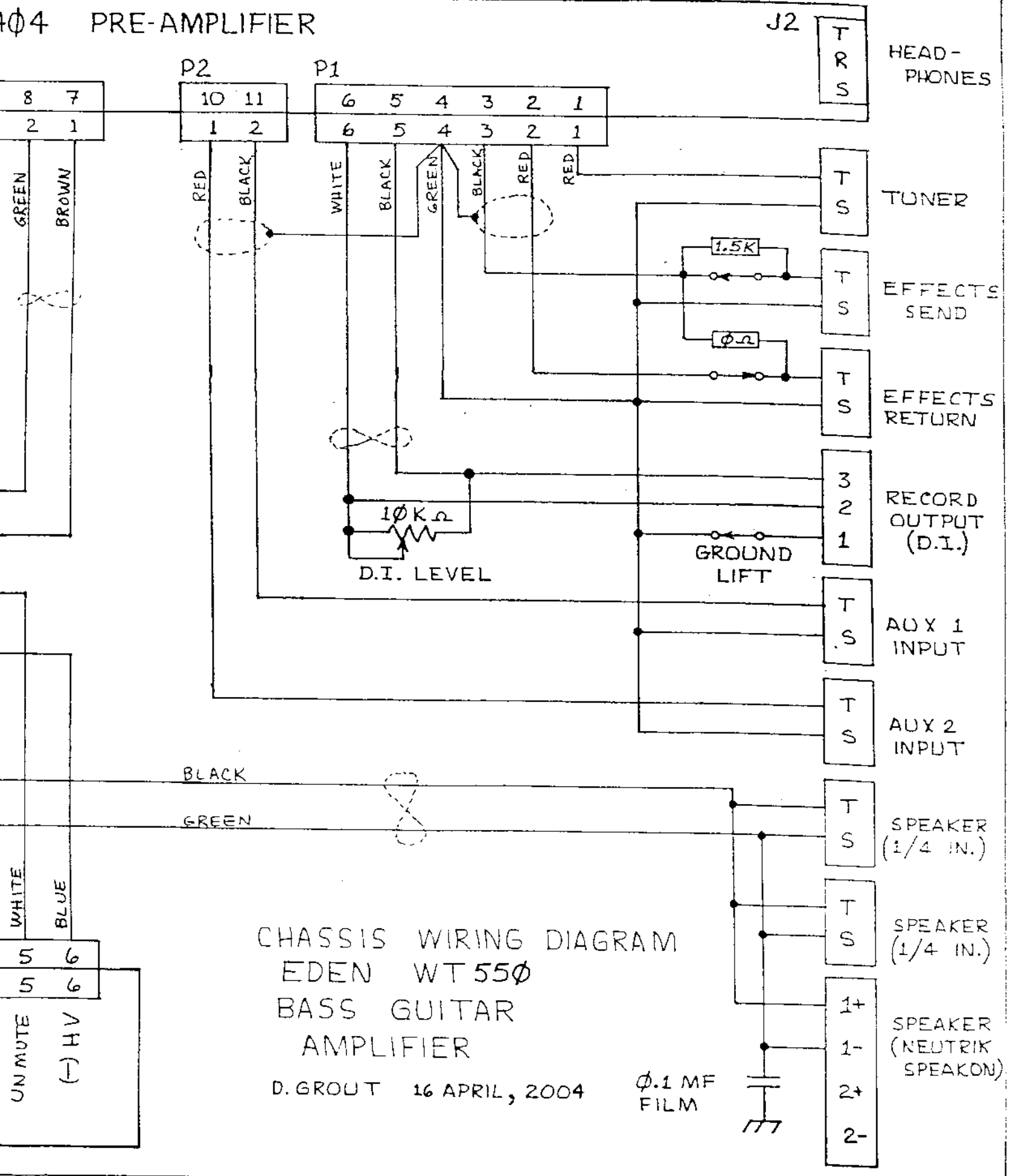
TO "P7" ON POWER SUPPLY BOARD

1	RED
2	BLACK
3	BLUE
4	BLACK

P1-8 POWER COMMON



4 PRE-AMPLIFIER



CHASSIS WIRING DIAGRAM
 EDEN WT 550
 BASS GUITAR
 AMPLIFIER

D. GROUT 16 APRIL, 2004

0.1 MF
 FILM

