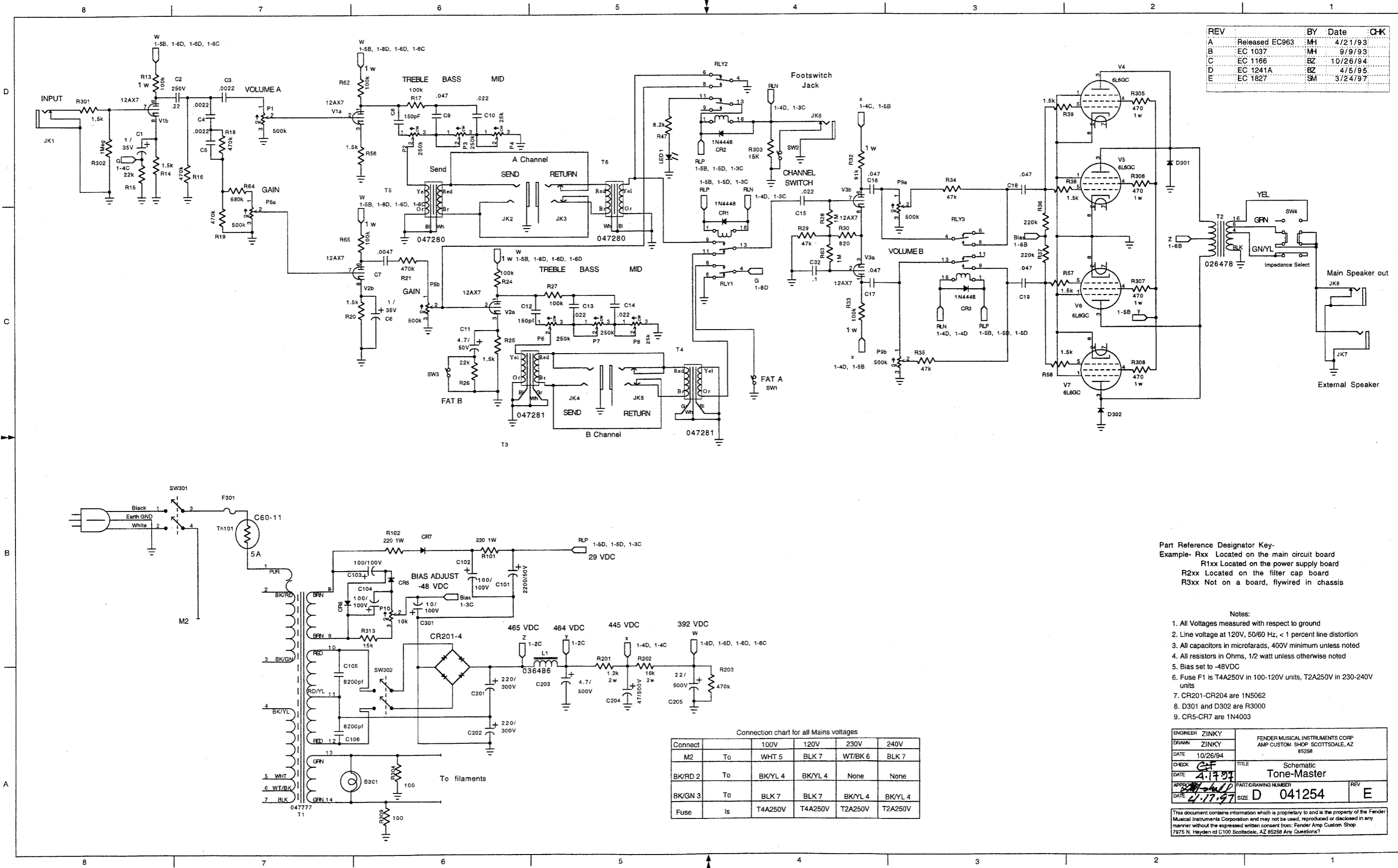


REV	BY	Date	CHK
A	Released EC963	MH 4/21/93	
B	EC 1037	MH 9/9/93	
C	EC 1166	BZ 10/26/94	
D	EC 1241A	BZ 4/5/95	
E	EC 1827	SM 3/24/97	



Part Reference Designator Key-  
 Example- Rxx Located on the main circuit board  
 R1xx Located on the power supply board  
 R2xx Located on the filter cap board  
 R3xx Not on a board, flywired in chassis

- Notes:
1. All Voltages measured with respect to ground
  2. Line voltage at 120V, 50/60 Hz, < 1 percent line distortion
  3. All capacitors in microfarads, 400V minimum unless noted
  4. All resistors in Ohms, 1/2 watt unless otherwise noted
  5. Bias set to -48VDC
  6. Fuse F1 is T4A250V in 100-120V units, T2A250V in 230-240V units
  7. CR201-CR204 are 1N5062
  8. D301 and D302 are R3000
  9. CR5-CR7 are 1N4003

Connection chart for all Mains voltages

Connect	100V	120V	230V	240V
M2	To WHT 5	To BLK 7	To WT/BK 6	To BLK 7
BK/RD 2	To BK/YL 4	To BK/YL 4	None	None
BK/GN 3	To BLK 7	To BLK 7	To BK/YL 4	To BK/YL 4
Fuse	Is T4A250V	Is T4A250V	Is T2A250V	Is T2A250V

ENGINEER ZINKY	FENDER MUSICAL INSTRUMENTS CORP	
DRAWN ZINKY	AMP CUSTOM SHOP SCOTTSDALE, AZ	
DATE 10/26/94	TITLE Schematic	
CHECK <i>ZF</i>	DATE 4.17.97	
DATE 4.17.97	PART/DRAWING NUMBER	REV
	SIZE D	041254
		E

This document contains information which is proprietary to and is the property of the Fender Musical Instruments Corporation and may not be used, reproduced or disclosed in any manner without the expressed written consent from: Fender Amp Custom Shop 7975 N. Hayden rd C100 Scottsdale, AZ 85258 Any Questions?