



Bassbreaker™ 18/30

(This is the model name for warranty claims)

P/N 226400000 (COMBO 120V)

SERVICE MANUAL



ATTENTION:

WARRANTY SERVICE PROCEDURES

The Bassbreaker 18/30 Combo Amplifier is considered to be field serviceable to the component level. As such stuffed PCB Assemblies are not readily available for this unit. Any Fender Authorized Service Center in need of a warranty replacement PCB Assembly for this unit should contact FMIC Tech Support and you will be instructed on how to proceed.



Bassbreaker™ 18/30

(This is the model name for warranty claims)

IMPORTANT NOTICE

• Copyright © 2016 FMIC. All rights reserved. All information contained herein is CONFIDENTIAL and PROPRIETARY and is the property of Fender Musical Instruments Corporation. It is not to be sold or assigned to another party and is disclosed solely for use by Fender® Authorized Service Centers for purposes of product service and maintenance. All information is not to be disclosed to others without the expressed permission of Fender Musical Instruments Corporation. All

specifications are subject to change without notice. This information and any copies produced electronically or otherwise must be surrendered upon demand of Fender Musical Instruments Corporation.

- Parts marked with two asterisks (**) indicate the required use of that specific part. This is necessary for RELIABILITY and SAFETY requirements. **DO NOT USE A SUBSTITUTE!**

PARTS LIST CODES

The description codes used in the itemized Parts Lists are defined below:

CAPACITOR CODES

CAP AE = Aluminum Electrolytic
 CAP CA = Ceramic Axial
 CAP CD = Ceramic Disk
 CAP CR = Ceramic Radial
 CAP MPF = Metalized Polyester Film
 CAP MY = Mylar
 CAP PFF = Polyester Film/Foil

RESISTOR CODES

RES CC = Carbon Comp
 RES CF = Carbon Film
 RES FP = Flame Proof
 RES MF = Metal Film
 RES MOX = Metal Oxide
 RES WW = Wire Wound

HARDWARE CODES

BLX = Black Oxide
 CR = Chrome Plated
 HWH = Hex Washer Head
 M = Machine Screw
 NI = Nickel Plated
 OHP = Oval Head Phillips
 PB = Particle Board
 PHP = Pan Head Phillips
 PHPS = Pan Head Phillips Sems
 SMA = Sheet Metal "A" Point
 SMB = Sheet Metal "B" Point
 SS = Stainless Steel
 TF = Thread Forming
 ZI = Zinc Plated



Bassbreaker™ 18/30

(This is the model name for warranty claims)

SPECIFICATIONS

Model Name:	BASSBREAKER 18/30 (Combo)	
Release Number:	PR 3036	
Part Numbers, Combo:	(120V, 60Hz) US:	2264000000
	(110V, 60Hz) TW:	2264001000
	(240V, 50Hz) AU:	2264003000
	(230V, 50Hz) UK:	2264004000
	(230V, 50Hz) ARG:	2264005000
	(230V, 50Hz) EU:	2264006000
	(100V, 50/60Hz) JP:	2264007000
	(220V, 60Hz) ROK:	2264009000
	(240V, 50Hz) MA:	2264013000
Power Requirement:	175W	
Power Output:	30W RMS minimum into 4, 8, or 16 ohms @ 5% THD 18W RMS minimum into 4, 8, or 16 ohms @ 5% THD	
Impedance	All Inputs:	1 Meg ohm
Dimensions	Combo Height:	21.875 in (55.6 cm)
	Combo Width:	26.25 in (66.7 cm)
	Combo Depth:	10.00 in (25.4 cm)
Weight	Combo:	50 lbs. (22.7 kg)

Product specifications are subject to change without notice



Bassbreaker™ 18/30

(This is the model name for warranty claims)

SERVICE NOTES

Disassembly, Bassbreaker 18/30 Combo

1. Remove the cabinet upper back panel. NOTE: Be careful to not damage the foam tape on the cabinet cleats.
2. Remove the cabinet lower back panel.
3. Disconnect the speaker wire from speakers.
4. Remove the side chassis-mounting screws.
5. While supporting the chassis, remove the top chassis-mounting screws.
6. Remove the chassis from the cabinet and set the chassis, transformers down, on a work surface.
7. Cut the tie-wrap that secures the speaker wires to the chassis. (This facilitates opening the chassis back panel.)
8. Remove the 4 each pan head back panel screws at the top of the back panel and the 4 each undercut flat head screws at the bottom of the back panel.
9. Hinge the back panel open at the bottom of the chassis while feeding the speaker wires and output transformer wires into the chassis.
10. Unplug the 3 conductor ribbon cable from footswitch jack PCB at the rear chassis panel to enable the rear chassis panel to be fully opened.

Reassembly, Bassbreaker 18/30 Combo:

1. Reconnect the 3 conductor ribbon cable to the 3 conductor header at the rear panel footswitch jack PCB.
2. Hinge the back panel closed while pulling the slack of the speaker wires at the outside of the chassis.
3. Install the 4 each pan head back panel screws at the top of the back panel and the 4 each undercut flat head screws at the bottom of the back panel.
4. Install a tie-wrap to re-secure the speaker wires to the lance at the outside of the chassis.
5. Reverse combo disassembly operations 5 through 1.

PCB EXCHANGE POLICY

Parts marked with a single asterisk (*) in the Part Lists are not field replaceable. If a failure due to one of these components is detected, please

contact the FMIC Customer Service Department to order the complete PCB Assembly.

CIRCUIT DESCRIPTION

This section provides concise information about new or unusual circuit designs incorporated into this amplifier model. The purpose is to aid the service technician by providing insight into the design areas most likely to become obstacles in troubleshooting. Information is focused for its effective use while maintaining the security of Fender® proprietary information wherever possible.

PRE-AMPLIFIER

The guitar INPUT is routed to one of 2 possible tone stacks. Based on channel selection, the signal level from the INPUT is controlled by the 30W VOLUME control or by the 18W VOLUME control.

V1A is the front end amplifier for both the 30W and the 18W channels. V1B functions as a cathode follower to buffer the load of both of the tone stacks.



Bassbreaker™ 18/30

(This is the model name for warranty claims)

A footswitch or the top panel channel select switch is used to accuate relay K1 to select the output of the appropriate tone stack for the 30W channel (VOLUME, BASS, MIDDLE, and TREBLE) or the 18W channel (VOLUME, TONE). The footswitch or top panel or top panel channel select switch also selects the variable headroom of the power amplifier.

V2 is a combination voltage amplifier (V2A) and split load phase inverter (V2B) that feeds the power amp EL84 output tubes.

POWER AMPLIFIER

The output of the selected tone control feeds V2A which is a tone stack recovery stage while V2B functions as a “split load” phase inverter. The plate and cathode of phase inverter V2B feed the grids of output tubes V3 – V6 which are arranged as a push-pull quad. The plates of V3 – V6 feed the primary of output transformer T1.

The secondary of T1 provides 16, 8, or 4 ohms output by way of IMPEDANCE SELECT switch S201 on the back panel. The IMPEDANCE SELECT switch feeds J5 MAIN SPEAKER jack. The tip shunt of J5 goes to the internal 16 ohm speaker load in the cabinet (two 12”, 8 ohm speakers wired in series). The EXTENSION SPEAKER jack J4 is wired in parallel with MAIN SPEAKER jack.

The internal speakers are driven via the tip shunt of the MAIN SPEAKER jack J5. (The IMPEDANCE SELECT switch should always be set to 16 ohms when the internal speakers are used exclusively.) Plugging a speaker into the MAIN SPEAKER jack disconnects the internal speakers so that only the speaker plugged into the MAIN SPEAKER jack is driven. If a speaker is plugged into the EXTENSION SPEAKER jack J4 instead of the MAIN SPEAKER jack, the external speaker will be put in parallel with the internal speakers. Plugging a speaker into the MAIN SPEAKER and EXTERNAL SPEAKER jacks will disconnect the internal speakers, and put the speakers plugged into the MAIN SPEAKER and EXTENSION SPEAKER jacks in parallel.

Resistor R37 10 Kohm 1/2W is connected between the 16 ohm output of T1 and the tip of J3 (POST POWER AMP LINE OUT). Components R38 (82 Ohms) and C16 (220pF) are connected from the tip of J3 to ground. The following components R61, R39, and C17 are connected from the shunt of J3 to ground to provide a low level replica of the signal at the output of the power transformer.

POWER SUPPLY

The power supply circuitry is located on the large PCA that is between the control PCA and tube PCA. Certain aspects of the power supply are not typical of power supplies found in other Fender tube amplifiers. It has a regulated selectable voltage screen supply for the output tubes, and a selectable cathode bias resistor network that tracks the screen supply. The screen supply voltage is controlled by a footswitch or by the top panel channel select push button control to select an amplifier output power of 18 watts or 30 watts. The cathode bias resistor value tracks the screen supply to properly self-bias the output tubes and maintain proper idle current.

The high voltage red-red secondary winding of T2 is rectified by a full wave bridge and is filtered by C25 to provide the high voltage DC plate supply for V3, V4, V5, and V6 (B+). It is further R-C filtered to provide plate supplies for V2B (Y), V2A, and V1 (X). The B+ supply is also used to feed the input to the screen supply for V3, V4, V5 and V6.

The brown-brown/brown-yellow secondary winding of T2 is rectified by a full wave bridge and filtered by C30 to provide + 24 VDC. This feeds regulator U7 to provide a regulated +15VDC supply to power

- the control circuit to select screen voltage
- the control circuit to select cathode resistor network values.
- the 12V tone stack selection relay (K1)
- DC filament voltage for tubes V1 and V2.

The green-green secondary winding of T2 provides AC power for the filaments of V3, V4, V5, and V6.

As stated earlier, the B+ supply from the red-red winding also feeds the input to the selectable-voltage screen (Z) supply. The screen supply



voltage value is selected by CHANNEL_SELECTTM when the top panel CHANNEL TWO push button switch or the 1 button footswitch is actuated. The voltage divider at the base of transistor Q6 provides voltages levels for the following modes of operation

- For 30W operation, a nominal value of 0 VDC is provide at the base of transistor Q2 to select a nominal screen voltage value of 300 VDC.

BassbreakerTM 18/30

(This is the model name for warranty claims)

- For 18W operation, a nominal value of +6.4 VDC is provide at the base of transistor Q2 to select a nominal screen voltage value of 200 VDC.

The screen voltage (Z) is provided at the source of transistor Q3 and connected to screen resistors R29–R32.



Bassbreaker™ 18/30

(This is the model name for warranty claims)

PARTS LIST:		PCB ASSEMBLY	
QTY.	PART #	DESCRIPTION	REFERENCE DESIGNATION
1	7706437000	*PCB ASSEMBLY BASSBREAKER 18/30	STUFFED PCB ASSEMBLY
2	0051720000	△CAP AE AX 22µF 450V 20%	C27-28
1	0024820000	△CAP AE AX 47µF 350V 20%	C15
2	0051719000	△CAP AE AX 47µF 450V 20%	C25-26
1	0028463003	CAP AE RDL 10µF 50V 20%	C31
1	0041048000	CAP AE RDL 2200µF 50V 20%	C30
2	0028459003	CAP AE RDL 2.2µF 50V 20%	C1, C9
2	0028467003	CAP AE RDL 22µF 50V 20%	C12, C39
1	0038703001	CAP CA .1µF 50V	C19
2	0051185003	CAP CD .01µF 1000V 20%	C7, C10
6	0051406003	CAP CD 220pF 500V 10%	C16-18, C32, C36-37
1	0020917000	CAP CD 250pF 1000V 10%	C3
2	0020842000	CAP CD 500pF 1000V 10%	C8, C33
1	0051409003	CAP CD 68pF 500V 5%	C6
4	0025995002	CAP CD 8200pF 1000V 20%	C21-24
2	0027264003	CAP MPF .01µF 100V 10%	C35, C47
1	0027272003	CAP MPF .047µF 63V 10%	C38
1	0027279003	CAP MPF .1µF 100V 10%	C29
1	0053860000	△CAP MPF .1µF 250VAC 20%	C41
1	0024833000	CAP MPF RDL .022µF 400V 10%	C11
3	0024845000	CAP MPF RDL .047µF 400V 10%	C5, C13-14
1	0024846000	CAP MPF RDL .047µF 630V 10%	C20
1	0024853000	CAP MPF RDL .1µF 250V 10%	C40
2	0024854000	CAP MPF RDL .1µF 400V 10%	C2, C4
1	0024855000	CAP MPF RDL .1µF 630V 10%	C34
1	0096463000	CTRL SNAPIN 25k B TAPER 180--D SHAFT	R9
2	0096457000	CTRL SNAPIN 1M 30A TAPER 180--D SHAFT	R10, R12
1	0096460000	CTRL SNAPIN 250K 30A TAPER 180--D SHAFT	R7
2	0096459000	CTRL SNAPIN 250K 15A TAPER 180--D SHAFT	R8, R13
4	0064089001	DIODE 1N4003	D5-8
5	0026730001	DIODE 1N4006 800V 1A	D1-4, D21
2	0006260001	DIODE 1N4448 SIGNAL	D9, D15
2	0029690001	DIODE HV 3kV 200mA	D13-14
1	0026000001	△FSTN TAB MALE .187x.032 PCB MT	P13
17	0025802000	△FSTN TAB MALE .250x.032 PCB MT	P1-4, P11-12, P14-18, P20, P25-27, P31
4	0031041000	△FSTN TAB ML RTANG PCB .25x.032	P5-8
1	0068329000	△FUSE TD PIGTAIL 8AL 250VAC	F2
1	0066292001	△FUSE QA 4A 125V	F3
4	0027410000	HDR .1 CTR 3 CKT SQ PIN	P2A, P2B, P3A, P3B
1	0027416000	HDR .1 CTR 8 CKT SQ PIN	P1B
1	0065442000	HDR .1 CTR 8 CKT RT ANG LOCKING	P1A
1	0013562000	IC REGULATOR +15V MC7815CT	U7
1	0051658000	JACK MONO R/A	J2

* Non-serviceable part. Replace complete parent assembly. See PCB EXCHANGE POLICY section above.

shaded Unique Fender® part. Order directly from the FMIC Parts Department.

shaded + * Access to this part or assembly is controlled. Please contact the FMIC Customer Service Department.

△ Safety Critical Part. Replacement must match Safety Agency –Value, if specified –Type, if specified –Approval Mark(s), if on part.

shaded + △ Both a unique Fender® part and a Safety Critical Part as defined above



Bassbreaker™ 18/30

(This is the model name for warranty claims)

PARTS LIST:		PCB ASSEMBLY	
QTY.	PART #	DESCRIPTION	REFERENCE DESIGNATION
4	0063213000	JACK PCB STEREO CLOSED CKT	J1, J3-5
1	7706449000	LED TULIP PANEL MOUNT ASSEMBLY WHITE	D10
13	0097360000	NUT HEX 4-40 EX LOCK	@ PCB STANDOFFS
1	7706448000	RELAY DPDT DIP 12VOLT 16.6mA	K1
2	0025116001	RES CF 1/2W 5% 100k LL	R5, R16
2	0028580001	RES MOX FP 1/2W 5% 100ohm LL	R50-51
1	0025113001	RES CF 1/2W 5% 10k LL	R37
1	0025117001	RES CF 1/2W 5% 220k LL	R3
2	0047434001	RES CF 1/2W 5% 56k LL	R21-22
2	0024969001	RES CF 1/4W 5% 1.5k LL	R4, R17
2	0024997001	RES CF 1/4W 5% 100k LL	R6, R65
2	0024981001	RES CF 1/4W 5% 10k LL	R15, R61
1	0024955001	RES CF 1/4W 5% 180ohm LL	R56
4	0025069001	RES CF 1/4W 5% 1M LL	R1, R14, R18-19
2	0024965001	RES CF 1/4W 5% 1k LL	R20, R46
1	0024956001	RES CF 1/4W 5% 220ohm LL	R53
3	0024987001	RES CF 1/4W 5% 22k LL	R45, R57, R62
1	0024975001	RES CF 1/4W 5% 3.9k LL	R64
1	0028865001	RES CF 1/4W 5% 30k LL	R43
1	0024989001	RES CF 1/4W 5% 33k LL	R2
1	0024961001	RES CF 1/4W 5% 470ohm LL	R36
2	0024977001	RES CF 1/4W 5% 4.7k LL	R40-41
2	0025065001	RES CF 1/4W 5% 470k LL	R23-24
5	0024993001	RES CF 1/4W 5% 47k LL	R25-28, R55
2	0025081001	RES CF 1/4W 5% 5.6M LL	R42, R63
1	0024995001	RES CF 1/4W 5% 68k LL	R11
2	0024951001	RES CF 1/4W 5% 82ohm LL	R38-39
2	0041706001	RES FILM 1W 470k 5%	R44, R75
2	0027347001	RES FILM 1W 5% 2.2k LL	R52, R54
4	0027355001	RES MOX 2W 5% 220ohm LL	R29-32
3	0051417001	RES MOX 2W 5% 22ohm LL	R58-60
1	0036470001	△RES MOX FP 1W 5% 10k LL	R49
2	0027358001	△RES MOX FP 2W 5% 3.9k LL	R47-48
2	0029670000	RES WW BT 5W 10% 150ohm	R33-34
1	0028898000	RES WW BT 5W 5% 240ohm	R35
1	7706446000	PUSH BUTTON LED WHT W/ILLUM BTN	S1
13	0038519000	STANDOFF M/F 4-40 x 1/4L	@ PCB
12	0025936000	STANDOFF NYL PCB SNAP 3/8	@ PCB
2	0068714000	△SUPPORT TO-220 STANCHION PAD	@ Q1-2
1	7706795000	SWITCH SLIDE DPTT PC MOUNT BTN SLOT	S201
1	0028503002	△THERMISTOR 10 ohm 5A C60-11	RT1
6	0029167000	△TUBE SOCKET 9 PIN PCB MOUNT	V1-V6
2	0017746000	WSHR SHLDR NYL 1/8 x 1/4	@ Q3 and U7
1	0096493000	△XSTR MOSFET N-CH 600V FDP7N60NZ	Q3

* Non-serviceable part. Replace complete parent assembly. See PCB EXCHANGE POLICY section above.

shaded Unique Fender® part. Order directly from the FMIC Parts Department.

*shaded + ** Access to this part or assembly is controlled. Please contact the FMIC Customer Service Department.

△ Safety Critical Part. Replacement must match Safety Agency –Value, if specified –Type, if specified –Approval Mark(s), if on part.

shaded + △ Both a unique Fender® part and a Safety Critical Part as defined above



Bassbreaker™ 18/30

(This is the model name for warranty claims)

PARTS LIST:		PCB ASSEMBLY	
QTY.	PART #	DESCRIPTION	REFERENCE DESIGNATION
2	0016739003	XSTR NPN 2N4401 TO-92	Q6, Q8
2	0096492000	△XSTR NPN BUJ103A 700V 4A TO-220	Q1-2
1	0016742003	XSTR PNP 2N4403 TO-92	Q7

PARTS LIST:		CHASSIS ASSEMBLY	
QTY.	PART #	DESCRIPTION	REFERENCE DESIGNATION
1	0012560000	BUSHING SNAP 5/8x27/32 BLK	
1	0018022000	BUSHING SNAP 5/16x17/32 BLK	@SPEAKER WIRE
3	0031263000	BUSHING SNAP SHORT 3/4 x15/16 BLK	
2	0078274000	CABLE ASSY RIBBON 3 CKT 3"	
1	7707677000	CABLE ASSY RIBBON 8 CKT 4"	
2	0064512000	COLLAR TUBE SHIELD 9PIN	
1	0032219000	△COLLAR, PILOT LIGHT	
1	0054642000	△CONNECTOR IEC SNAP IN	
1	0077982000	△FUSE QA 1-1/4x1/4 250v 3A sell 049	
0	0020793000	△FUSE QA 20mmx5mm 250V 1.6A	
0	0020796000	△FUSE QA 20mmx5mm 250v 3.15A	
1	0036702000	△FUSE HOLDER 3AG FINGER GRIP	
0	0036703000	△FUSE HOLDER 5MM FINGER GRIP	
4	0079630000	△GROMMET RUBBER .38 ID x .500 MTG	
1	0079477000	△HEAT SINK BAR EVH 5150 III 50W	
1	0091860000	△JEWEL PILOT LIGHT CLEAR	
6	7706965000	KNOB BASSBREAKER FLAT 180 DEG	
3	0069393000	NUT 6-32 HEX EX LOCK	
1	0031625000	NUT HOLDER PILOT LIGHT 11/16-27	
8	0022004000	NUT KEPS #8-32 ZINC	
1	7706443000	PANEL REAR BASSBREAKER 18/30	
0	7706444000	PANEL REAR BASSBREAKER 18/30 EXP	
1	7706437000	*PCB ASSY BASSBREAKER 18/30	
4	7706159000	RETAINER TUBE EL84 BASSBREAKER	
2	0021568000	SCRW M 6-32x3/16 PHP NI	@IMPEDANCE SWITCH
3	0076154000	SCREW M 6-32 X 5/16 FHP STL ZI	
13	0031188000	SCRW M 4-40x1/4 PHP ZI ITLW	
4	0014999000	SCRW M 6-32x1/4 PHP BLX	
4	0014206000	SCRW M 6-32x1/4 UFHP BLX	
18	0031184000	SCRW M 6-32x1/4 PHP BLX ITLW	
4	0029913000	SCRW TF 6-32 X 3/16 PHP ZI	@ TUBE COLLAR
8	7707655000	SCRW M 8-32x3/8 PHP ZI SEMS	@ XFORMER
12	0028937000	SCRW TF 6-32x5/8 PHP ZI	
3	0028500000	SCRW TF 8-32 x 3/4 HWH SLTD ZI	@ HEAT SINK
8	0039371000	SPRING RETAINER TUBE 1.81Lx.15	
1	0036570000	△SWITCH TOGGLE DPST W/NUTS	

* Non-serviceable part. Replace complete parent assembly. See PCB EXCHANGE POLICY section above.

shaded Unique Fender® part. Order directly from the FMIC Parts Department.

shaded + * Access to this part or assembly is controlled. Please contact the FMIC Customer Service Department.

△ Safety Critical Part. Replacement must match Safety Agency –Value, if specified –Type, if specified –Approval Mark(s), if on part.

shaded + △ Both a unique Fender® part and a Safety Critical Part as defined above



Bassbreaker™ 18/30

(This is the model name for warranty claims)

PARTS LIST: CHASSIS ASSEMBLY			
QTY.	PART #	DESCRIPTION	REFERENCE DESIGNATION
1	0037039000	△SWITCH TOGGLE SPST W/NUTS	
1	5550112391	TUBE GT-ECC83-S SELECT	V1
1	5550112406	TUBE ST-12AX7-R SILVER	V2
4	0097124000	TUBE EL84-S SLOVAKIA	
2	0023598000	TUBE SHIELD (099-0723-000)	
4	0031153000	WSHR FLAT 3/8x.614 NI (sell 049)	
3	9904300100	WASHER LCK INTL 3/8x.681x.032	
2	0022293000	WSHR FLAT .473x.750 NI	@ SWITCHES
1	7706441000	△XFMR OUTPUT BASSBREAKER 18/30	
1	7706440000	△XFMR PWR BASSBREAKER 18/30 100V	
1	7706438000	△XFMR PWR BASSBREAKER 18/30 120V	
1	7706439000	△XFMR PWR BASSBREAKER 18/30 230V	

PARTS LIST: CABINET ASSEMBLY			
QTY.	PART #	DESCRIPTION	REFERENCE DESIGNATION
1	7706432000	*CABINET BASSBREAKER 18/30 COMBO	COMPLETE CABINET ASSEMBLY
2	7706172000	COVERING TWEED BLACK	SOLD BY THE SQUARE YARD
1	0026317000	△CLOTH GRILLE BLACK PVC	SOLD BY THE SQUARE YARD
2	7706800000	△VENT TOP PERF BB18-30	
12	0067014000	SCRW SMA 6X5/8 THP BLX	
1	7706170000	△HANDLE BASSBREAKER SERIES	
4	0064162000	NUT T 8-32x1/2 STR 3 PRNG BLX	
8	0064162000	NUT T 8-32x3/4 STR 3 PRNG BLX	
4	0037247000	SCRW M 8-32x1 OHP NI	
4	0048976000	FOOT RUBBER 1-1/2" BXR 115	
4	0033380000	SCRW SMAB 8x1 THP BLX	
18	0059921000	SCRW SMA 10X1 1/4 THP BLK	
1	7706256000	*NAMEPLATE BASSBREAKER 18/30 / 45	

PARTS LIST: END ITEM ASSEMBLY			
QTY.	PART #	DESCRIPTION	REFERENCE DESIGNATION
1	7707569000	COVER AMP BASSBREAKER 18_30	1
1	7706424000	FOOTSWITCH ASSY 1 BTN BLK LOGO	
1	7706799000	△PANEL REAR PERF BB 18-30 45	
2	7700343000	SPEAKER 12" 8OHM 70W T5901AX60	
6	0036619000	SCRW M 10-32x1-1/2 THP NI	
8	0047821000	SCRW M 10-32 x 3/4 THP BLK	
2	0037210000	SCRW SMA 2x3/8 OHP NI	
6	0067014000	SCRW SMA 6x5/8 THP BLX	
8	0016188000	SCRW WOOD 6x1 OHP NI	
8	0037215000	WSHR C/SUNK NICKEL #6	

* Non-serviceable part. Replace complete parent assembly. See PCB EXCHANGE POLICY section above.

shaded Unique Fender® part. Order directly from the FMIC Parts Department.

shaded + * Access to this part or assembly is controlled. Please contact the FMIC Customer Service Department.

△ Safety Critical Part. Replacement must match Safety Agency –Value, if specified –Type, if specified –Approval Mark(s), if on part.

shaded + △ Both a unique Fender® part and a Safety Critical Part as defined above



Bassbreaker™ 18/30

(This is the model name for warranty claims)

PARTS LIST: END ITEM ASSEMBLY			
QTY.	PART #	DESCRIPTION	REFERENCE DESIGNATION
4	0029821000	△EYELET RFLNGD .215 OD x.315 L	
1	7706157000	*LOGO FENDER BASSBREAKER SERIES	
1	0057674000	△CORD PWR W/IEC 230V ARG	
1	0053997000	△CORD PWR W/IEC CONN 100V JPN	
1	0047251000	△CORD PWR W/IEC CONN 230V	
1	0047249000	△CORD PWR W/IEC CONN 230V UK	
1	0047250000	△CORD PWR W/IEC CONN 240V	
1	0047248000	△CORD PWR W/IEC CONN DOM	

* Non-serviceable part. Replace complete parent assembly. See PCB EXCHANGE POLICY section above.

shaded Unique Fender® part. Order directly from the FMIC Parts Department.

*shaded + ** Access to this part or assembly is controlled. Please contact the FMIC Customer Service Department.

△ Safety Critical Part. Replacement must match Safety Agency –*Value*, if specified –*Type*, if specified –*Approval Mark(s)*, if on part.

shaded + △ Both a unique Fender® part and a Safety Critical Part as defined above



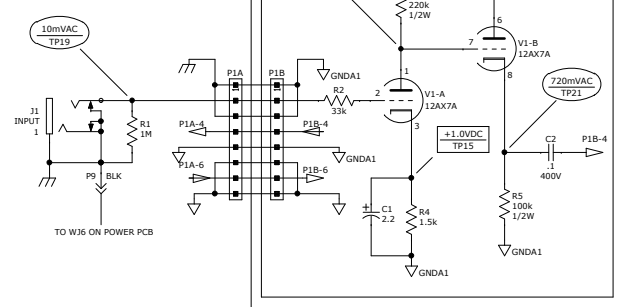
Bassbreaker™ 18/30
(This is the model name for warranty claims)

Service Diagram List

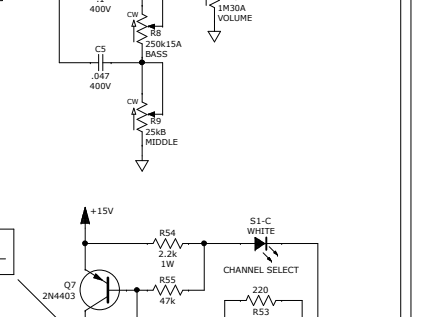
Service Diagram (Schematic).....Bassbreaker 18/30 Main PCB Rev. A
Service Diagram (PCB Assembly).....Bassbreaker 18/30 Main PCB Rev. A

REVISIONS			
REV.	DESCRIPTION	DATE	APPROVED
A	PR3036	6-JUL-15	M.Gallagher

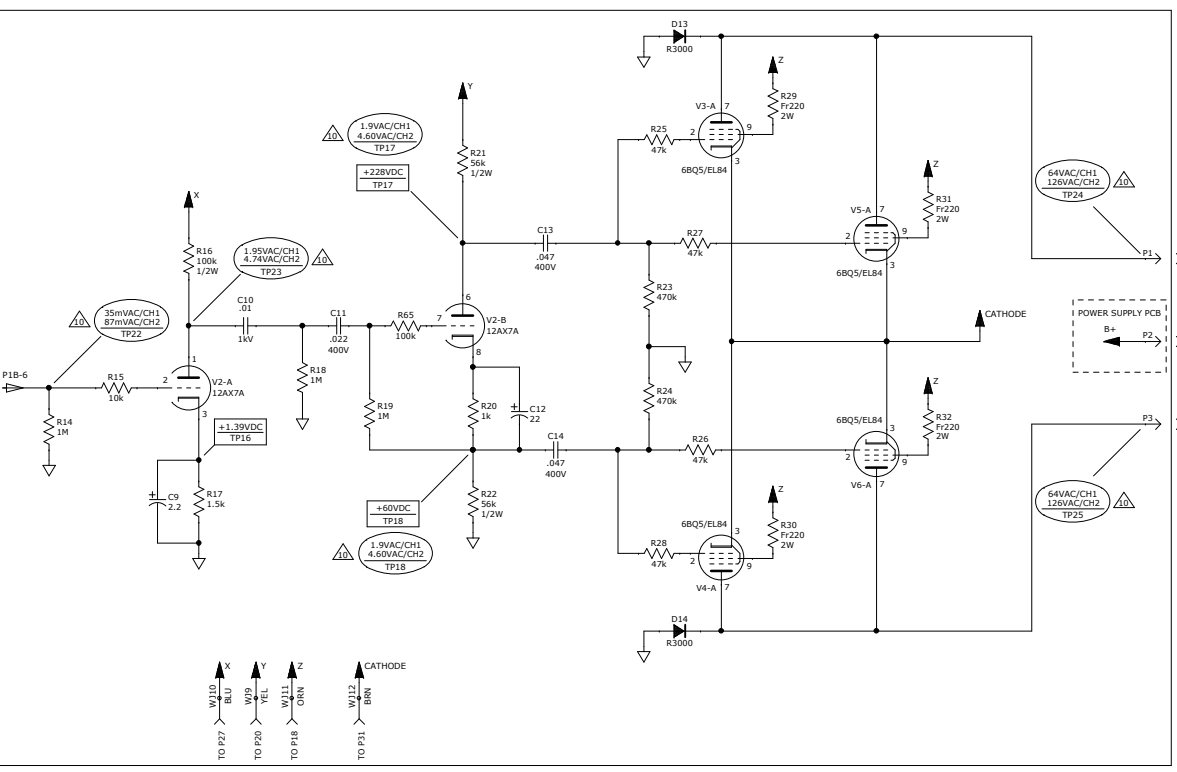
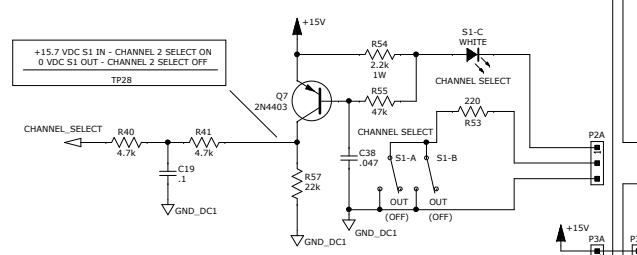
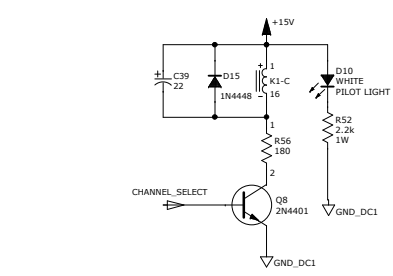
CONTROL PCB



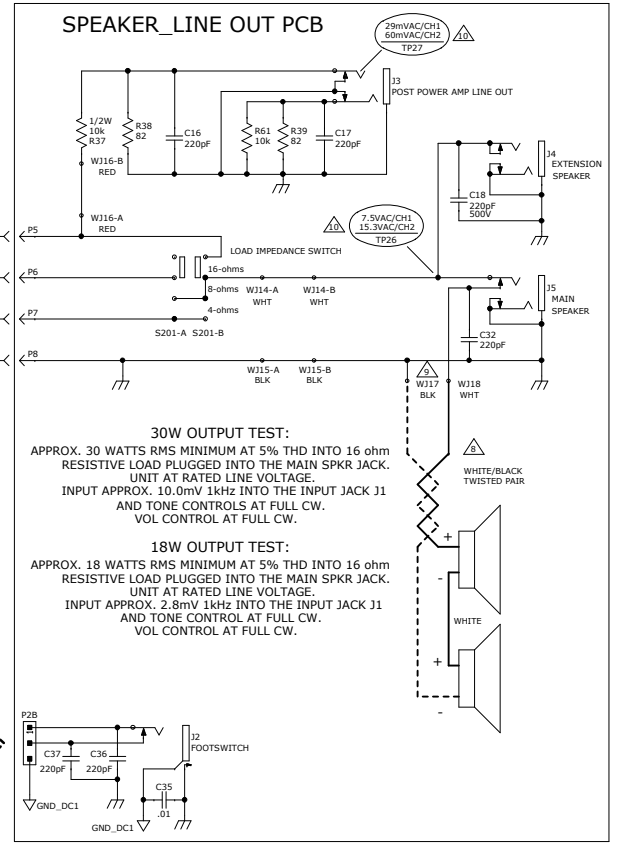
CONTROL PCB



C



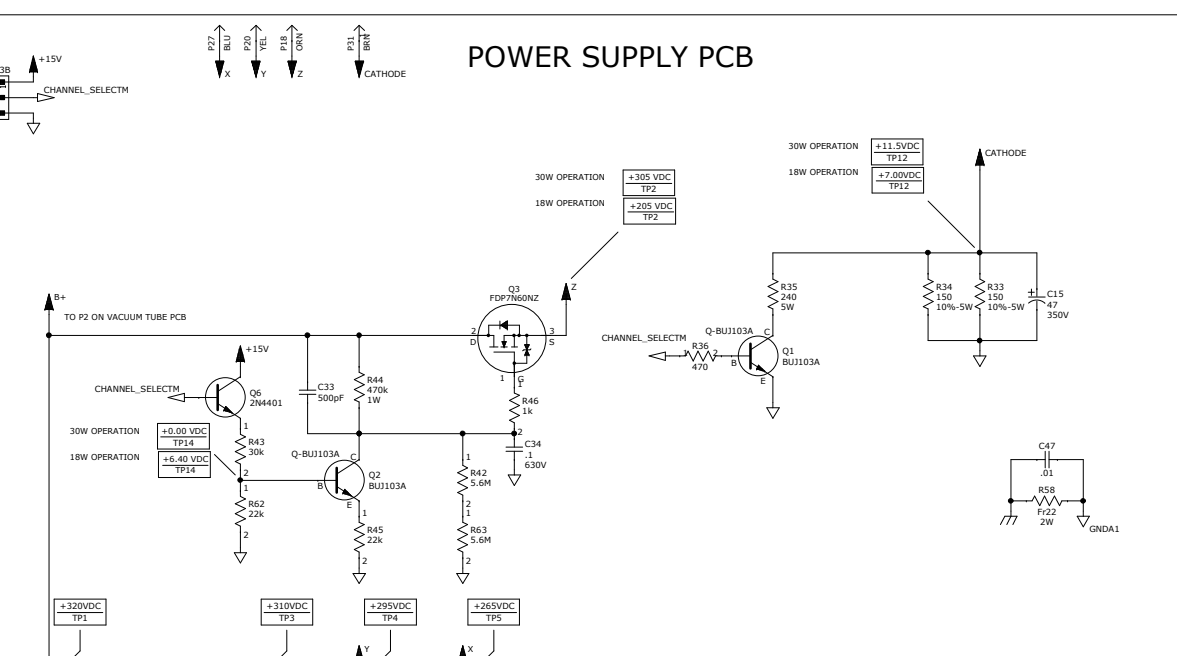
P/N 7706441000 OUTPUT XFMR



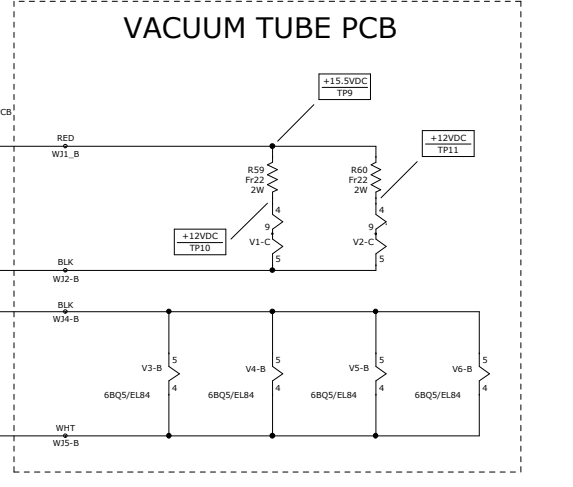
30W OUTPUT TEST:
 APPROX. 30 WATTS RMS MINIMUM AT 5% THD INTO 16 ohm RESISTIVE LOAD PLUGGED INTO THE MAIN SPKR JACK. UNIT AT RATED LINE VOLTAGE.
 INPUT APPROX. 10.0mV 1kHz INTO THE INPUT JACK J1 AND TONE CONTROLS AT FULL CW. VOL CONTROL AT FULL CW.

18W OUTPUT TEST:
 APPROX. 18 WATTS RMS MINIMUM AT 5% THD INTO 16 ohm RESISTIVE LOAD PLUGGED INTO THE MAIN SPKR JACK. UNIT AT RATED LINE VOLTAGE.
 INPUT APPROX. 2.8mV 1kHz INTO THE INPUT JACK J1 AND TONE CONTROL AT FULL CW. VOL CONTROL AT FULL CW.

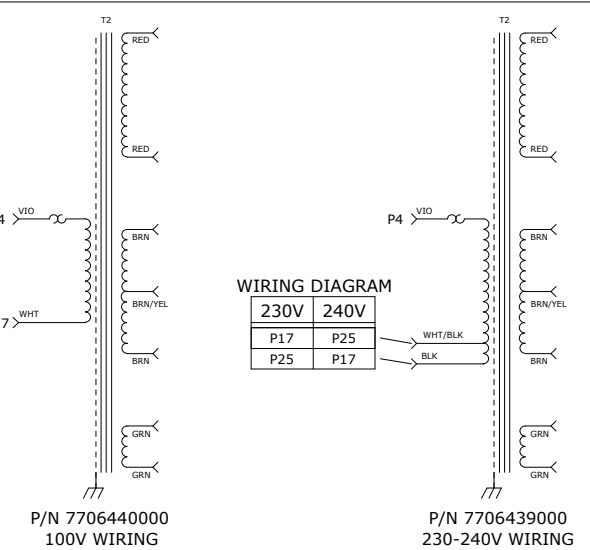
POWER SUPPLY PCB



VACUUM TUBE PCB



B

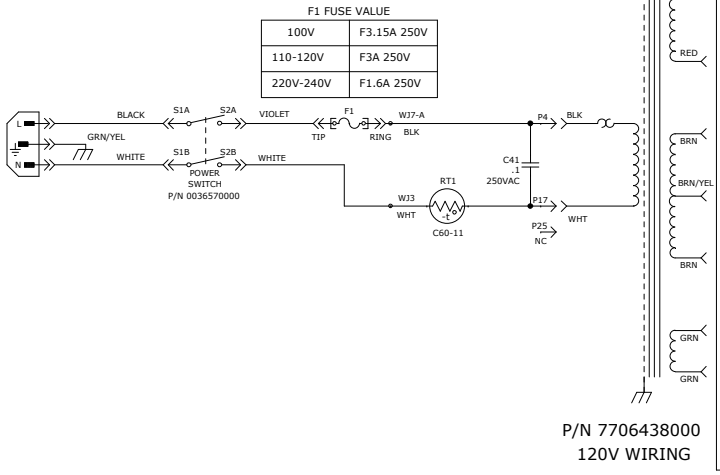


WIRING DIAGRAM

230V	240V
P17	P25
P25	P17

F1 FUSE VALUE	
100V	F3.15A 250V
110-120V	F3A 250V
220V-240V	F1.6A 250V

A



- NOTES: (UNLESS OTHERWISE NOTED)
1. ALL RESISTORS IN OHMS, 5%, 1/4W.
 2. ALL UNPOLARIZED CAPACITORS IN uF, 10% OR BETTER; 50V MINIMUM. (POWER SUPPLY BYPASS CAPACITORS ARE 20%).
 3. ALL POLARIZED CAPACITORS IN uF, 20%; 50V MINIMUM.
 4. ALL DIODES ARE 1N4448.
 5. THIS SCHEMATIC IS FOR PCB FABRICATION P/N 770647000 AND PCB ASSY P/N 7706437000 AND PCB ASSY 7709408000.
 6. TEN-DIGIT NUMBERS ARE FENDER PART NUMBERS.
 7. ALL SIGNAL MEASUREMENTS MADE WITH 10Mohm 1kHz SINW INPUT AT J1. ALL OTHER CONTROLS AT 50% ROTATION. ALL SIGNAL MEASUREMENTS MADE WITH NO INPUT SIGNAL. OUTPUT CONTROL AT FULL CW POSITION.
 8. ALL DC AND SUPPLY MEASUREMENTS MADE WITH NO INPUT SIGNAL.
 9. ALL SIGNAL MEASUREMENTS MADE WITH 10Mohm 1kHz SINW INPUT AT J1.
 10. ALL SIGNAL MEASUREMENTS MADE WITH 10Mohm 1kHz SINW INPUT AT J1.

THIS DOCUMENT CONTAINS INFORMATION OF A PROPRIETARY NATURE TO FENDER MUSICAL INSTRUMENTS AND IS SUBMITTED TO YOU IN CONFIDENCE AND SHALL NOT BE DISCLOSED OR TRANSMITTED TO OTHERS WITHOUT AUTHORIZATION FROM FENDER MUSICAL INSTRUMENTS.

Fender MUSICAL INSTRUMENTS
 Corona, CA U.S.A.

CHECKED BY: _____ TITLE: SERVICE DIAGRAM, COMBINED BASSBREAKER 18/30 <assembly name>
 DATE: _____

APPROVED BY: _____ SIZE: DRAWING NUMBER
 DATE: _____ **7706436000** REV. **A**
 DRAWN: GALLAGHER ENGR: GALLAGHER
 DATABASE FILE: Z30365.SCH RELEASE DATE: 7-JUL-15 SHEET: 1 OF 2

8

7

6

5

4

3

2

1

REVISIONS			
REV.	DESCRIPTION	DATE	APPROVED
A	PR3036	6-JUL-15	M T G

D

D

C

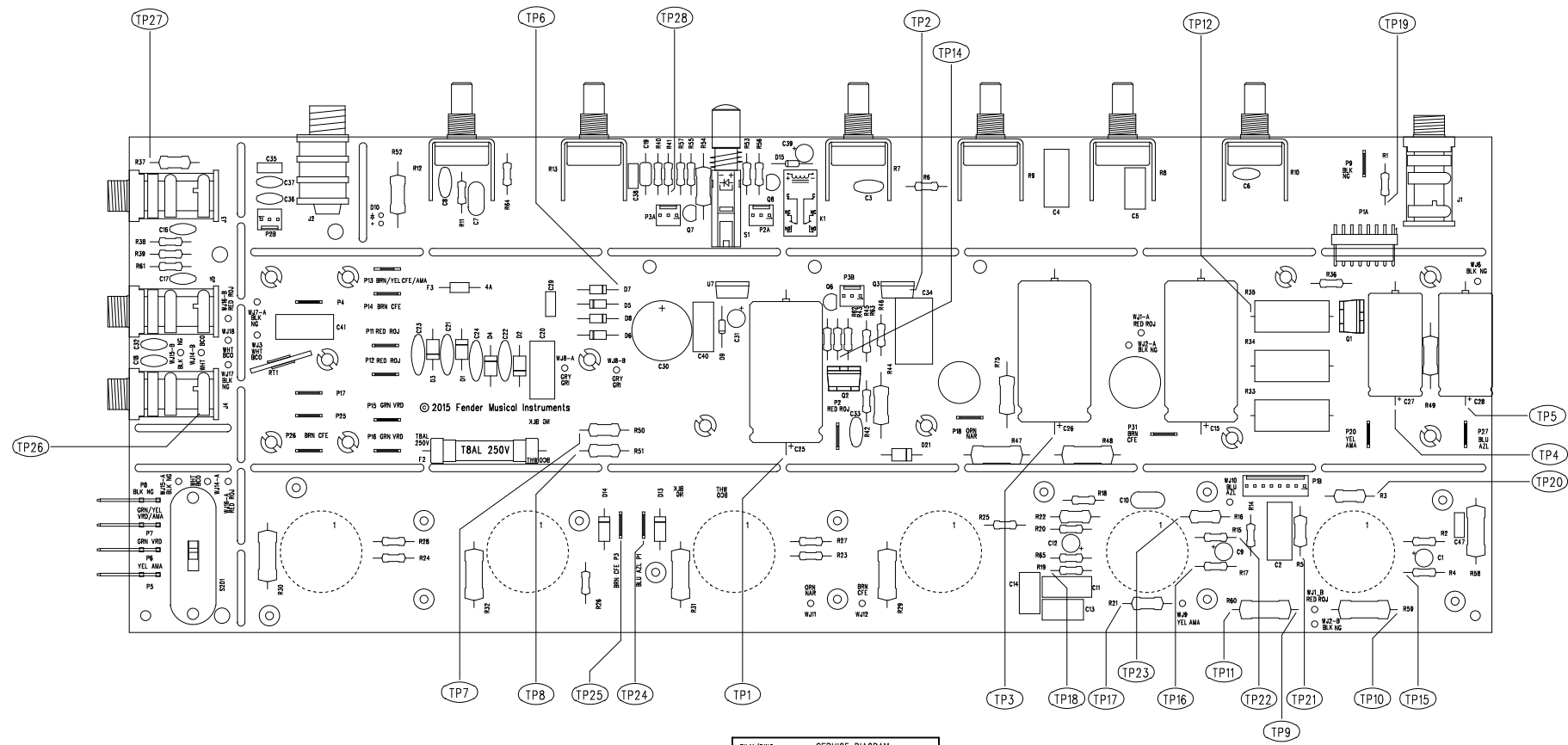
C

B

B

A

A



F1M/DWG: SERVICE DIAGRAM
 DATABASE: Z3036P.PCB DATE: 6-JUL-15

- 2. WIRES NOT SHOWN FOR CLARITY.
- 1. PCB ASSEMBLY SHOWN AS FABRICATED BEFORE INSTALLATION IN CHASSIS.

NOTES: (UNLESS OTHERWISE NOTED)

<small>THIS DOCUMENT CONTAINS INFORMATION OF A PROPRIETARY NATURE TO FENDER MUSICAL INSTRUMENTS AND IS SUBMITTED TO YOU IN CONFIDENCE AND SHALL NOT BE DISCLOSED OR TRANSMITTED TO OTHERS WITHOUT AUTHORIZATION FROM FENDER MUSICAL INSTRUMENTS.</small>			
		MUSICAL INSTRUMENTS Corona, CA U.S.A.	
CHECKED BY:	TITLE: SERVICE DIAGRAM, COMBINED (PCB assy) BASSBREAKER 18/30 (assembly name)		
APPROVED BY:	SIZE: D	DRAWING NUMBER: 7706436000	REV. A
DRAWN: GALLAGHER	ENGR: GALLAGHER	RELEASE DATE: 6-JUL-15	SHEET n OF m
DATABASE FILE: Z3036P.PCB			

8

7

6

5

4

3

2

1