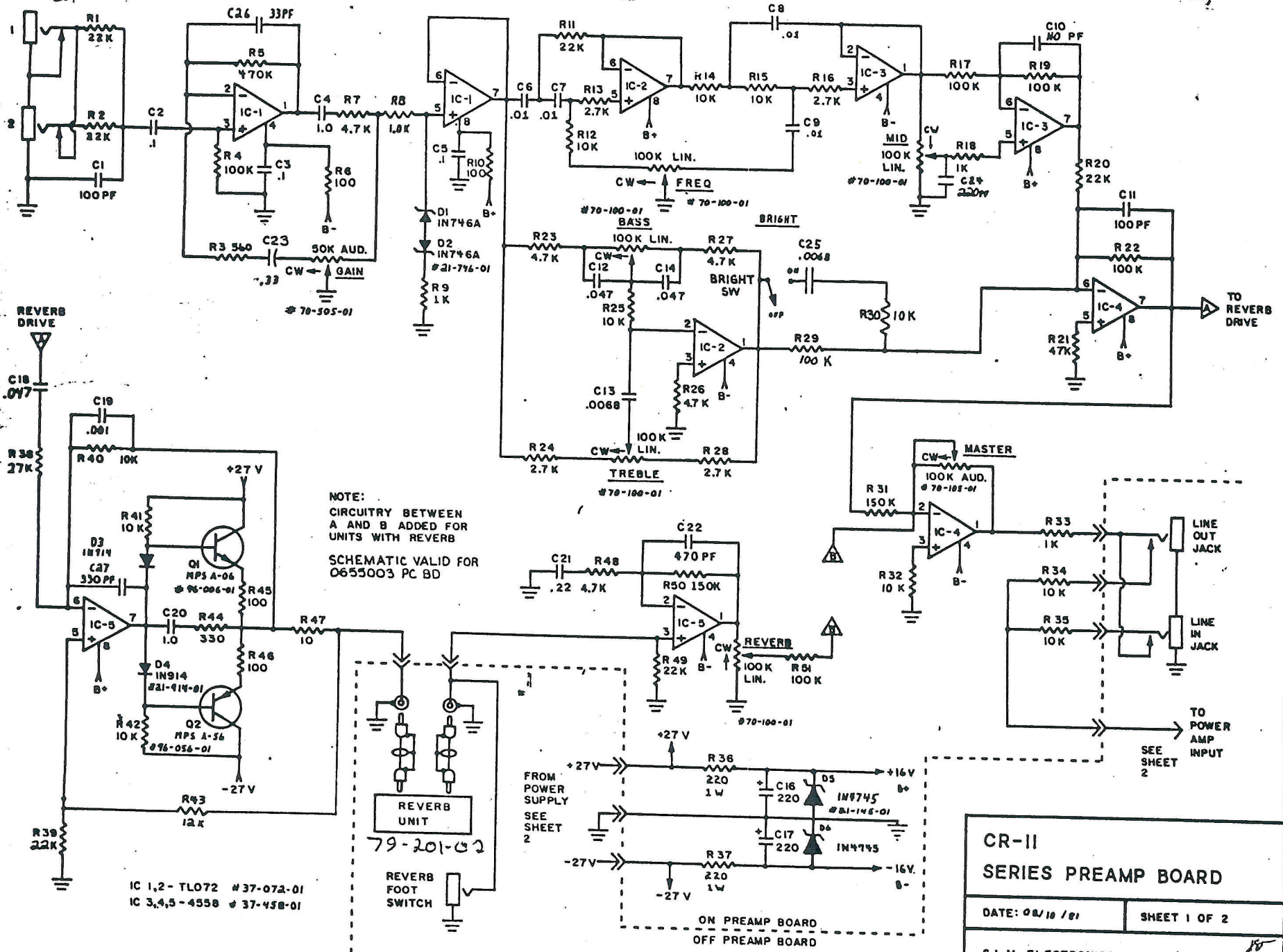


IC 1,2 - TL072
IC 3,4,5 - 4558

CR-II
SERIES PREAMP BOARD

DATE: 3/15/79 SHEET 1 OF 2

S L M ELECTRONICS
1400 FERGUSON
ST. LOUIS, MO. 63138

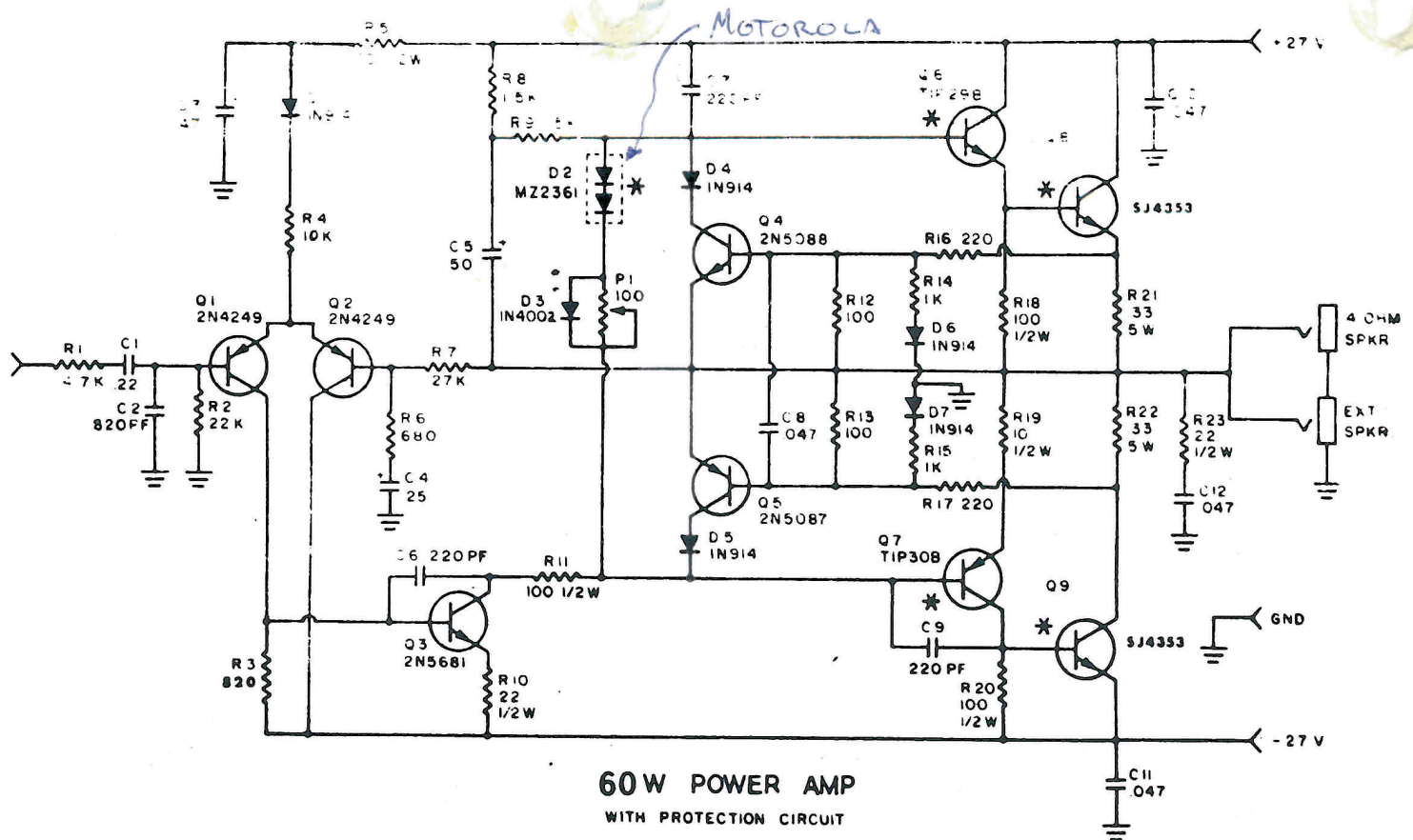


CR-II
SERIES PREAMP BOARD

DATE: 08/10/81 SHEET 1 OF 2

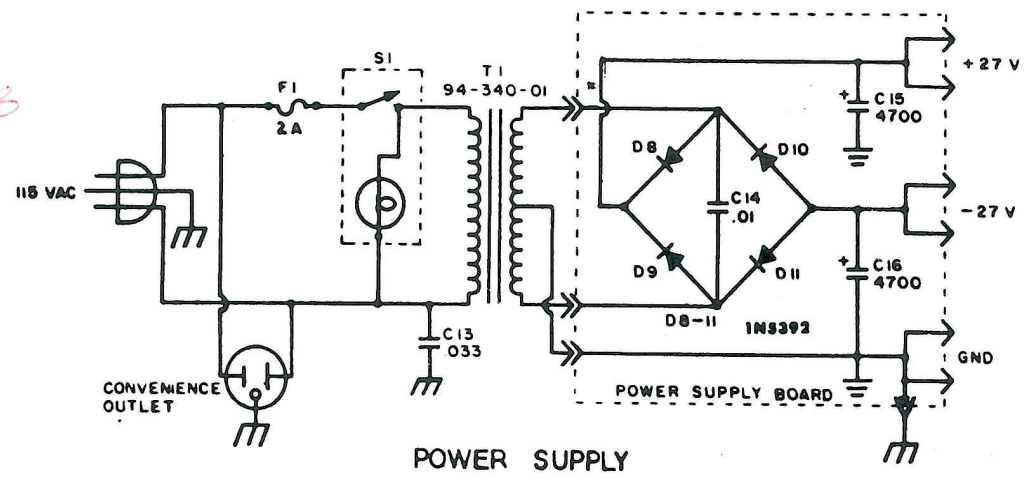
S L M ELECTRONICS
1400 FERGUSON
ST. LOUIS, MO. 63138

DWG # 01



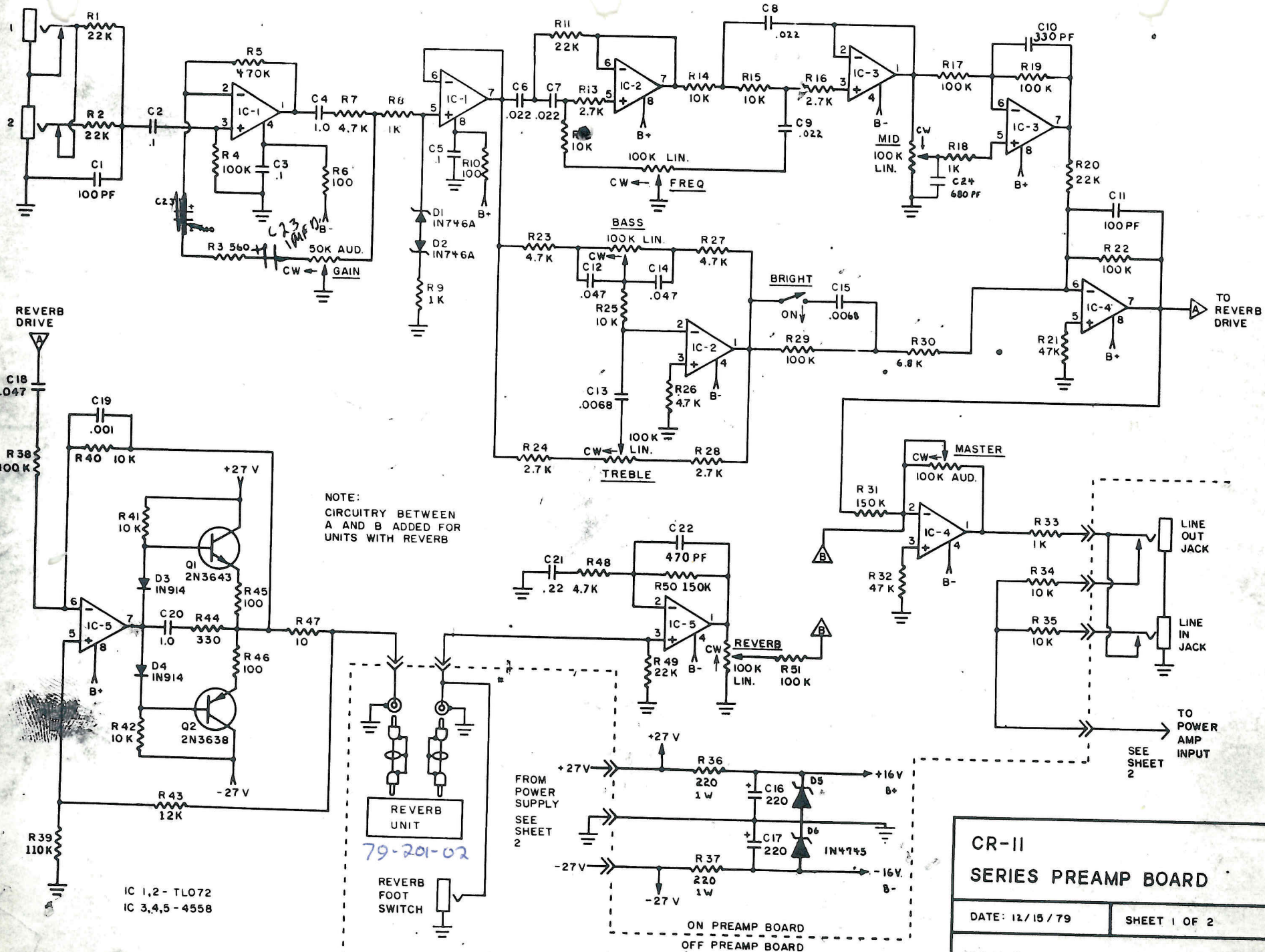
* DEVICES MOUNTED ON HEAT SINK

2
27
1.414
108
27
108
27
37178



CR-II	
POWER AMP & POWER SUPPLY	
DATE: 12/15/79	SHEET 2 OF 2
S L M ELECTRONICS 1400 FERGUSON ST. LOUIS, MO. 63138	

X

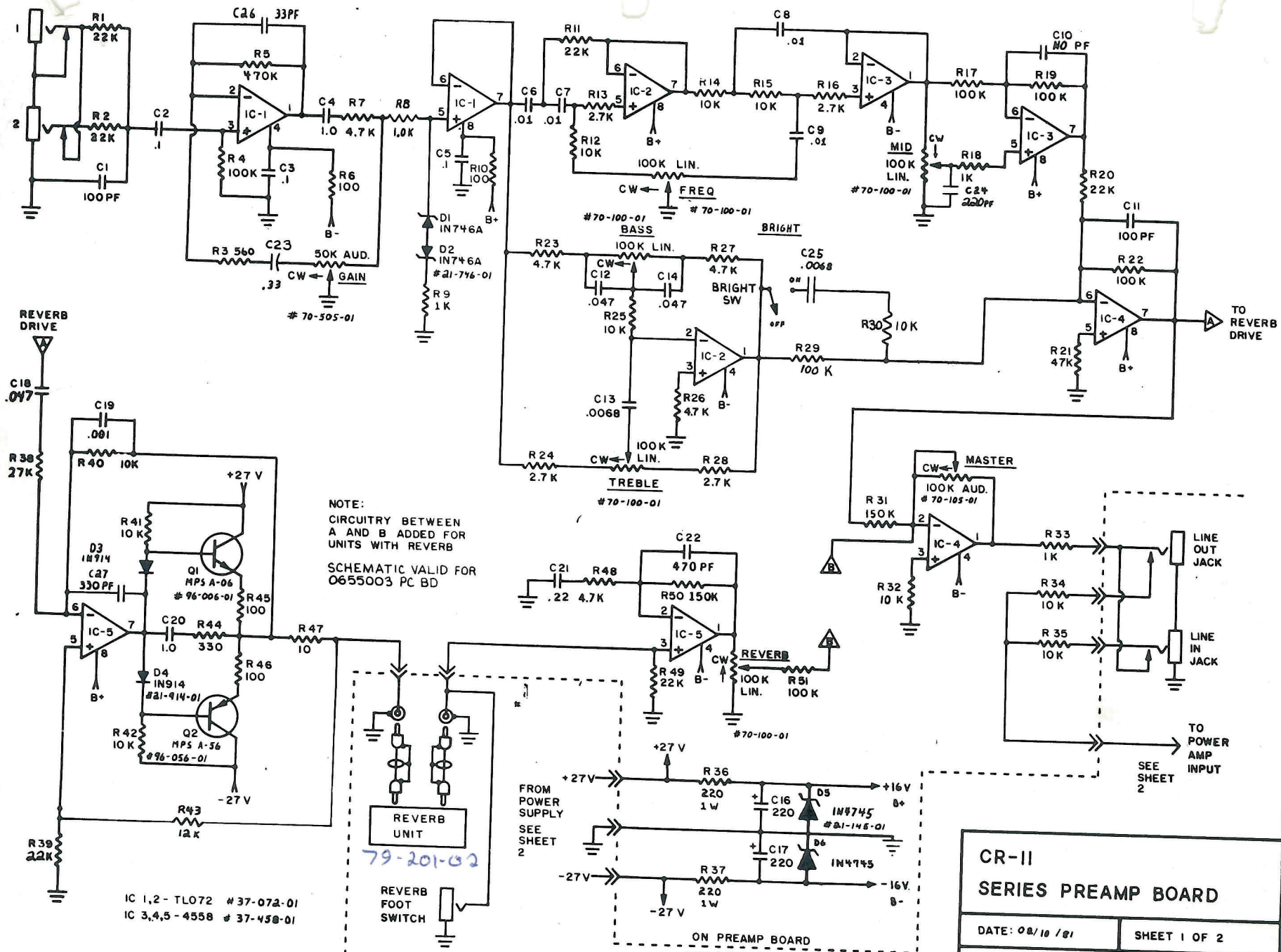


**CR-II
SERIES PREAMP BOARD**

DATE: 12/15/79 SHEET 1 OF 2

S L M ELECTRONICS
1400 FERGUSON
ST. LOUIS, MO. 63138

03865



**CR-II
SERIES PREAMP BOARD**

DATE: 02/10/01 SHEET 1 OF 2

SLM ELECTRONICS
1400 FERGUSON
ST. LOUIS, MO. 63138
DWG # 16-150-01