

8

7

6

5

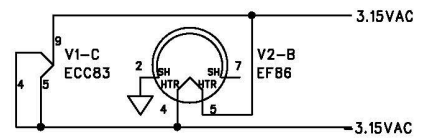
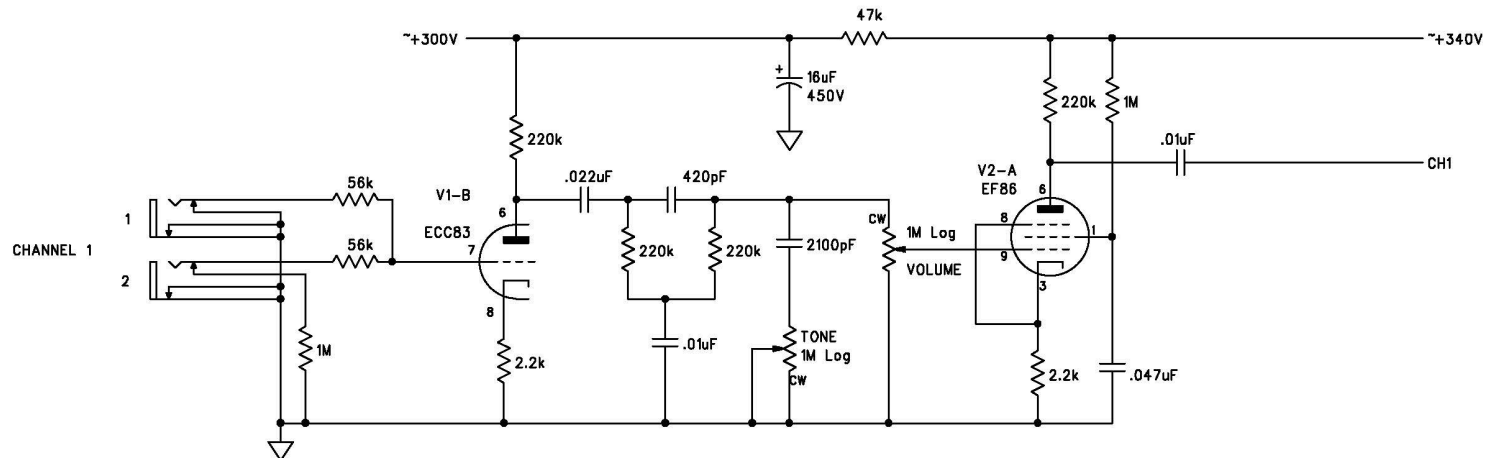
4

3

2

1

REVISIONS			
LTR	DESCRIPTION	ENGR	RELEASE DATE
A	INITIAL RELEASE		



CONTRACT NO.		TRACY NORTON PCB/CAD DESIGN SERVICES 2491 GALBRETH RD PASADENA CA 91104 626-296-8339 tracynorton@earthlink.net	
APPRO. DATE		DIR Y NORTON 03/15/07	
DIR Y NORTON 03/15/07		DIR Y NORTON 03/15/07	
NEXT ASSEMBLY		DIR Y NORTON 03/15/07	
USED ON		DIR Y NORTON 03/15/07	
MFR SUPP		DIR Y NORTON 03/15/07	
APPLICATION		DIR Y NORTON 03/15/07	
HERR KOMMANDANT		DIR Y NORTON 03/15/07	
SCALE NONE		DIR Y NORTON 03/15/07	
UNCLASSIFIED		DIR Y NORTON 03/15/07	
SHEET 1 of 4		DIR Y NORTON 03/15/07	

8

7

6

5

4

3

2

1