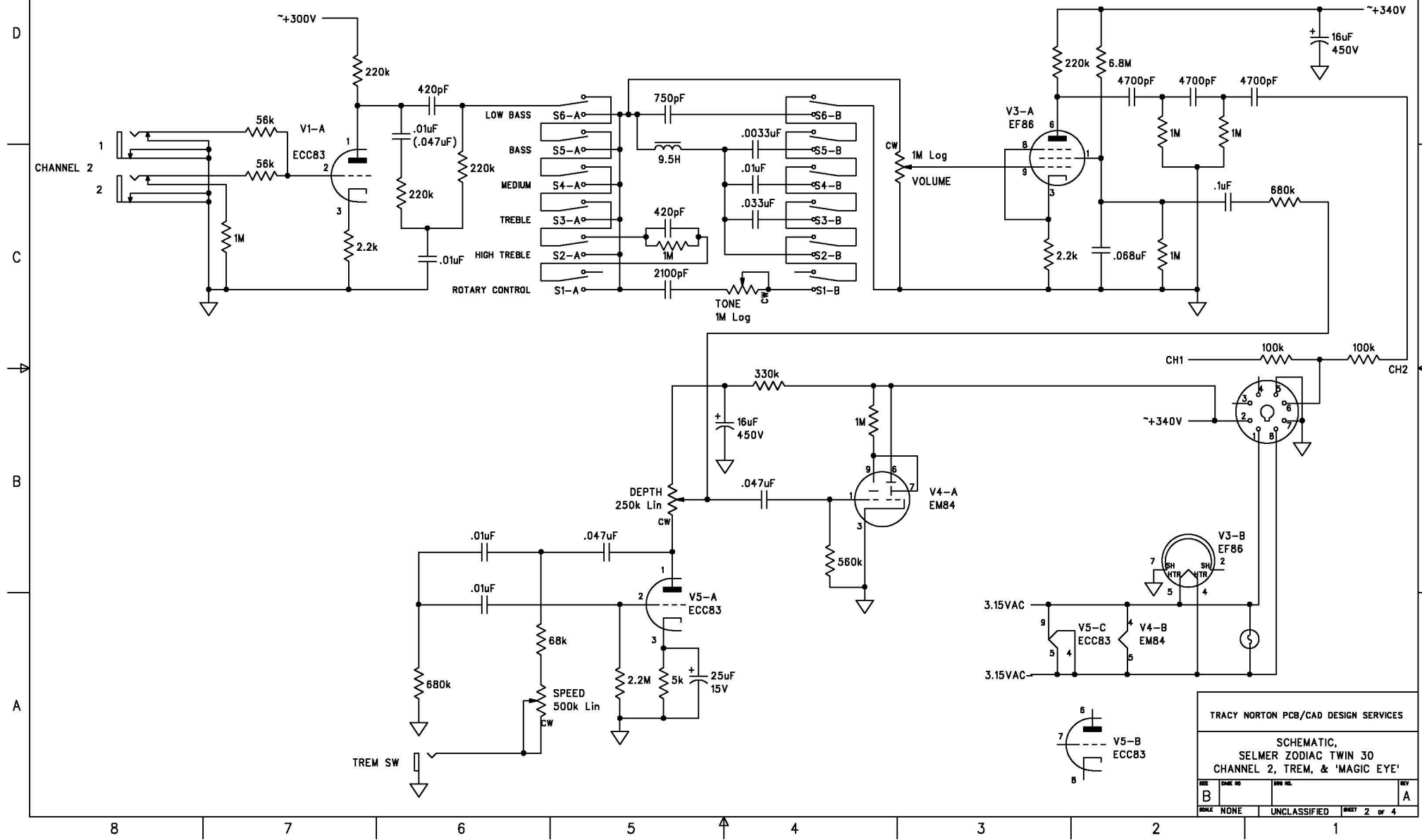


8 7 6 5 4 3 2 1

REVISIONS	
DESCRIPTION	
SEE SHEET 1	



TRACY NORTON PCB/CAD DESIGN SERVICES

SCHMATIC,
SELMER ZODIAC TWIN 30
CHANNEL 2, TREM, & 'MAGIC EYE'

REV	DATE	BY	CHK
B			A

SCALE: NONE UNCLASSIFIED SHEET 2 OF 4