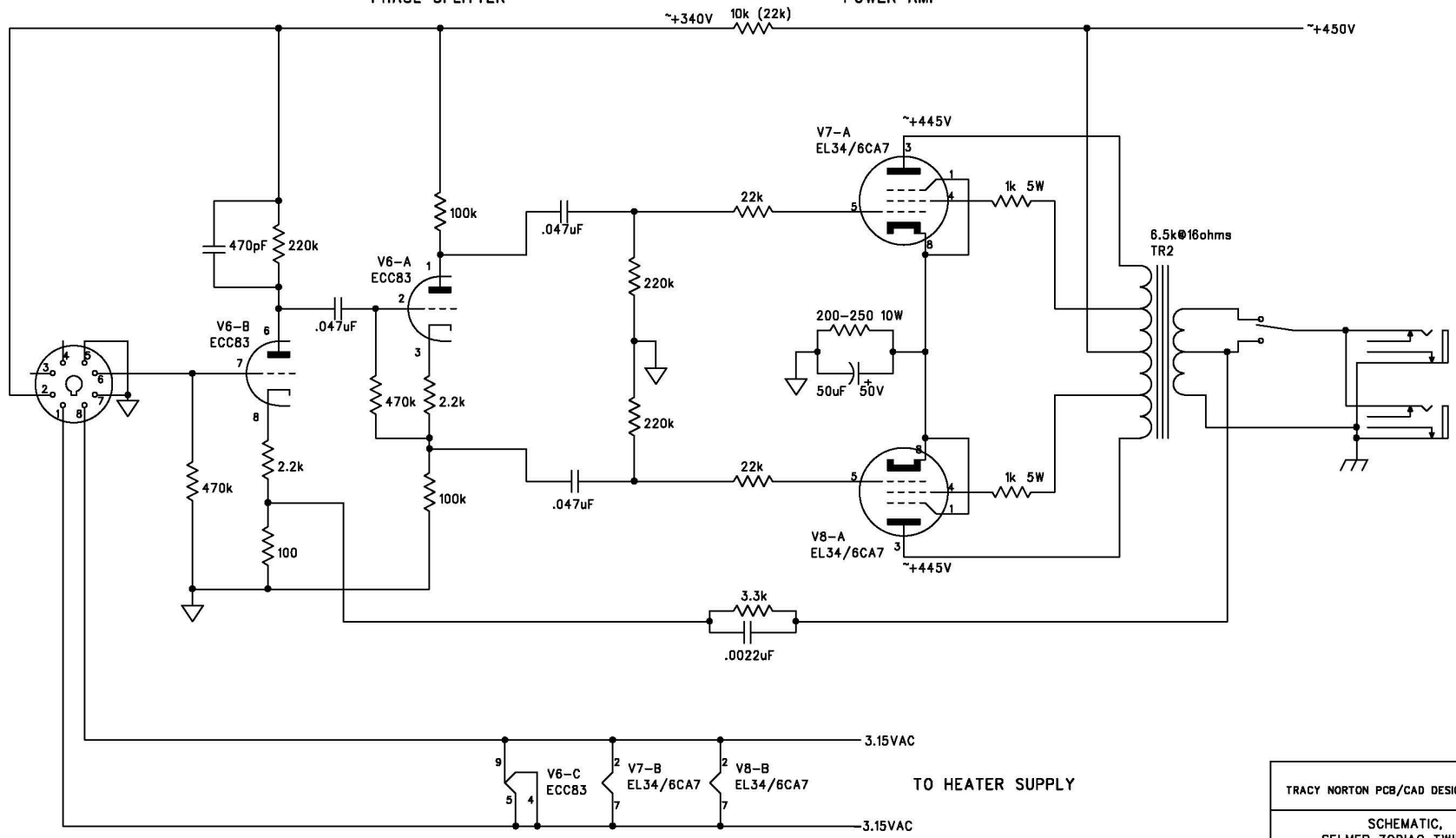


8 7 6 5 4 3 2 1

REVISIONS	
LTR	DESCRIPTION
A	SEE SHEET 1

PHASE SPLITTER

POWER AMP



TO HEATER SUPPLY

TRACY NORTON PCB/CAD DESIGN SERVICES			
SCHEMATIC, SELMER ZODIAC TWIN 30 PHASE SPLITTER & PWR AMP			
REV B	DATE 03	DRW DLS	REV A
SCALE NONE	UNCLASSIFIED	SHEET 3	OF 4

8 7 6 5 4 3 2 1