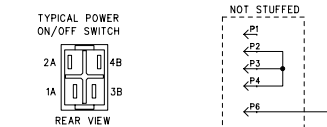
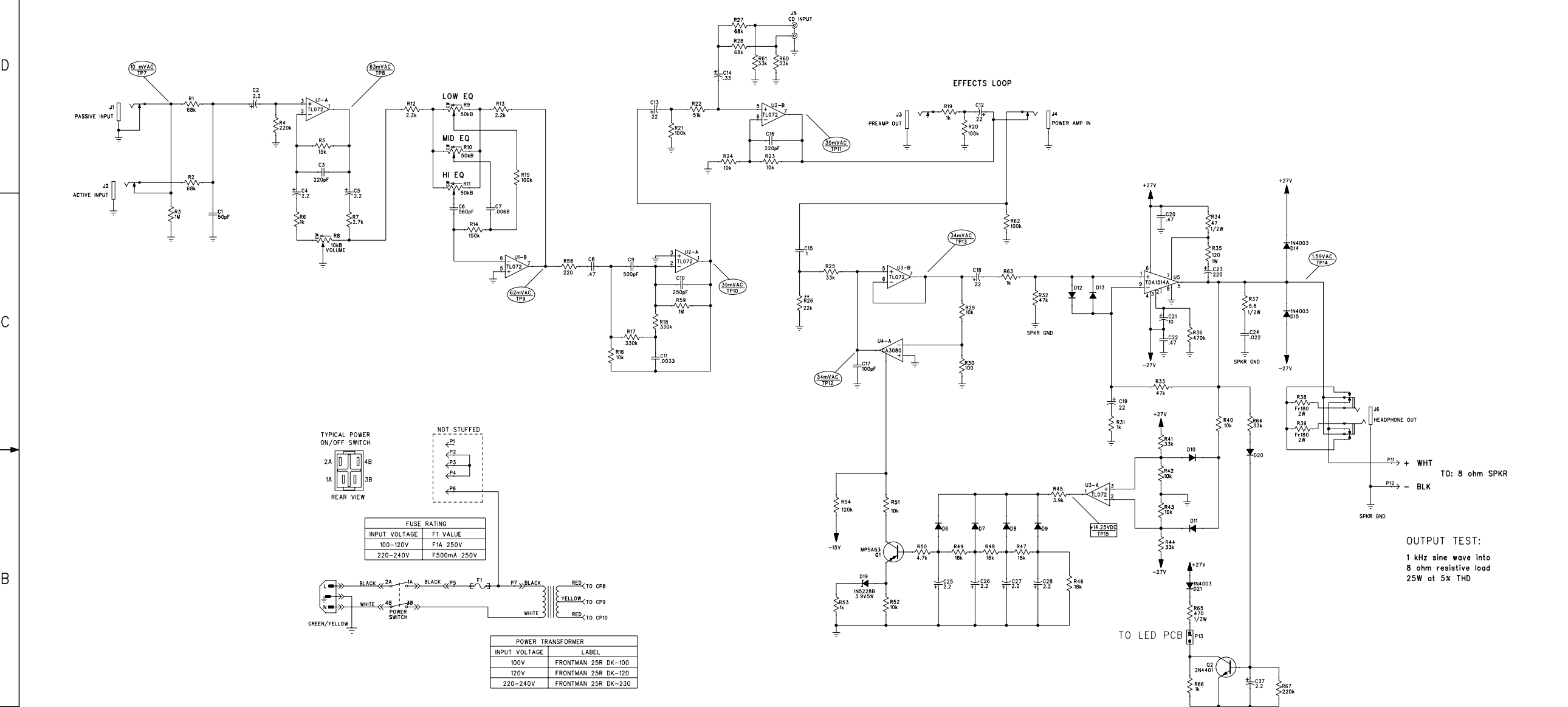
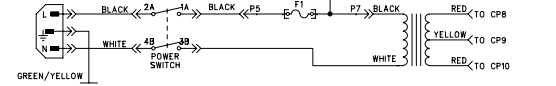


8 7 6 5 4 3 2 1

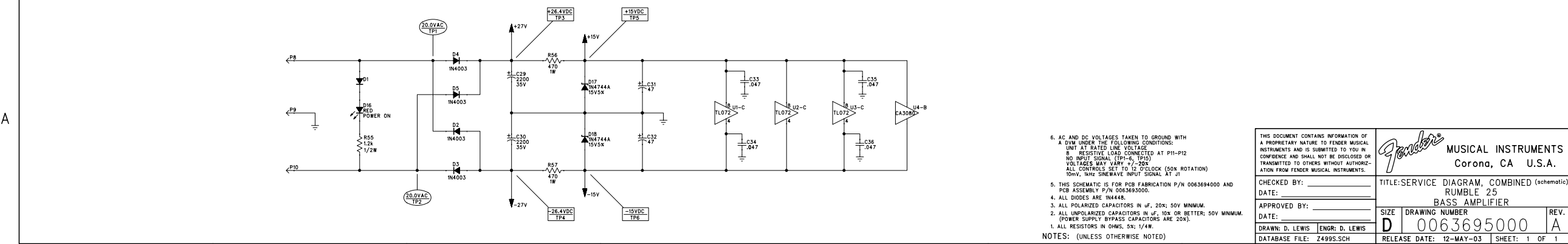
REVISIONS			
REV.	DESCRIPTION	DATE	APPROVED
A	PR 499	12-MAY-03	dBL



INPUT VOLTAGE	F1 VALUE
100-120V	F1A 250V
220-240V	F500mA 250V



INPUT VOLTAGE	LABEL
100V	FRONTMAN 25R DK-100
120V	FRONTMAN 25R DK-120
220-240V	FRONTMAN 25R DK-230



6. AC AND DC VOLTAGES TAKEN TO GROUND WITH A DVM UNDER THE FOLLOWING CONDITIONS:
 A UNIT SET RATED LINE VOLTAGE
 B RESISTIVE LOAD CONNECTED AT P11-P12
 C NO INPUT SIGNAL (TP1-6, TP10)
 D VOLTAGES MAY VARY +/- 20%
 ALL CONTROLS SET TO 12 O'CLOCK (50% ROTATION)
 10mV, 1kHz SINEWAVE INPUT SIGNAL AT J1
5. THIS SCHEMATIC IS FOR PCB FABRICATION P/N 0063694000 AND PCB ASSEMBLY P/N 0063693000.
4. ALL DIODES ARE 1N4448.
3. ALL POLARIZED CAPACITORS IN uF, 20%+ 50V MINIMUM.
2. ALL UNPOLARIZED CAPACITORS IN uF, 10% OR BETTER, 50V MINIMUM. (POWER SUPPLY BYPASS CAPACITORS ARE 20%).
1. ALL RESISTORS IN OHMS, 5% 1/4W.
- NOTES: (UNLESS OTHERWISE NOTED)

THIS DOCUMENT CONTAINS INFORMATION OF A PROPRIETARY NATURE TO FENDER MUSICAL INSTRUMENTS AND IS SUBMITTED TO YOU IN CONFERENCE AND SHALL NOT BE DISCLOSED OR TRANSMITTED TO OTHERS WITHOUT AUTHORIZATION FROM FENDER MUSICAL INSTRUMENTS.

Fender MUSICAL INSTRUMENTS
 Corona, CA U.S.A.

CHECKED BY: _____
 DATE: _____

APPROVED BY: _____
 DATE: _____

DRAWN: D. LEWIS ENGR: D. LEWIS
 DATABASE FILE: Z499S.SCH

TITLE: SERVICE DIAGRAM, COMBINED (schematic)
 RUMBLE 25
 BASS AMPLIFIER

SIZE: _____ DRAWING NUMBER: _____ REV. _____
 D 0063695000 A

RELEASE DATE: 12-MAY-03 SHEET: 1 OF 1

8 7 6 5 4 3 2 1