



Service Manual

Created: 15 October 2015



XENYX X2222USB

Premium 22-Input 2/2-Bus Mixer with XENYX Mic Preamps & Compressors, British EQs, 24-Bit Multi-FX Processor and USB/Audio Interface

Specifications	2
PCB Schematic	3
Parts List	18
Exploded Drawing	34

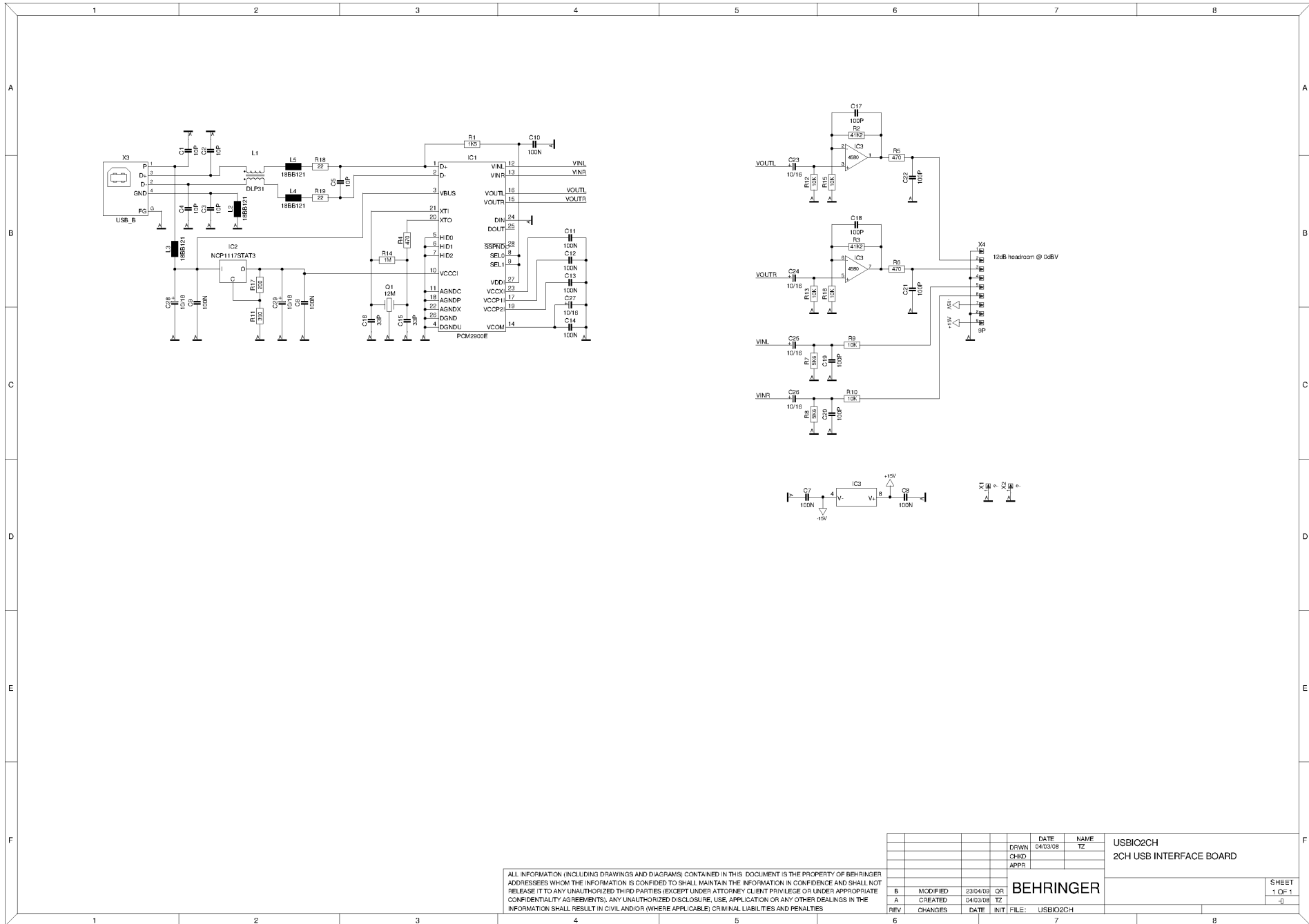
behringer.com



XENYX X2222USB

Specifications

- Premium ultra-low noise, high headroom analog mixer
- 8 state-of-the-art, phantom-powered XENYX Mic Preamps comparable to stand-alone boutique preamps
- 8 studio-grade compressors with super-easy "one-knob" functionality and control LED for professional vocal and instrumental sound
- Neo-classic "British" 3-band EQs with semi-parametric mid band for warm and musical sound
- New studio-grade FX processor with 16 editable presets including reverb, chorus, flanger, delay, pitch shifter, multi-effects, Tap function and storable user parameter settings
- Built-in stereo USB/Audio Interface to connect directly to your computer. Free audio recording, editing and podcasting software plus 150 instrument/effect plug-ins and ultra-low latency driver downloadable at www.behringer.com
- Channel inserts on each mono channel for flexible connection of outboard equipment
- 3 aux sends per channel: 1 pre fader for monitoring, 1 pre/post fader switchable for monitoring/FX applications, 1 post fader (for internal FX or as external send)
- Clip LEDs, mute, main mix and subgroup routing switches, solo and PFL functions on all channels
- 2 subgroups with separate outputs for added routing flexibility; 3 multi-functional stereo aux returns with flexible routing
- Balanced main mix outputs with ¼" jack and gold-plated XLR connectors, separate control room, headphones and stereo rec outputs
- Control room/phones outputs with multi-input source matrix; rec inputs assignable to main mix or control room/phones outputs
- Long-wearing 60-mm logarithmic-taper faders and sealed rotary controls
- "Planet Earth" switching power supply for maximum flexibility (100 - 240 V~), noise-free audio, superior transient response plus low power consumption for energy saving
- Rack mount brackets included for ultimate flexibility
- 3-Year Warranty Program*
- Conceived and designed by BEHRINGER Germany

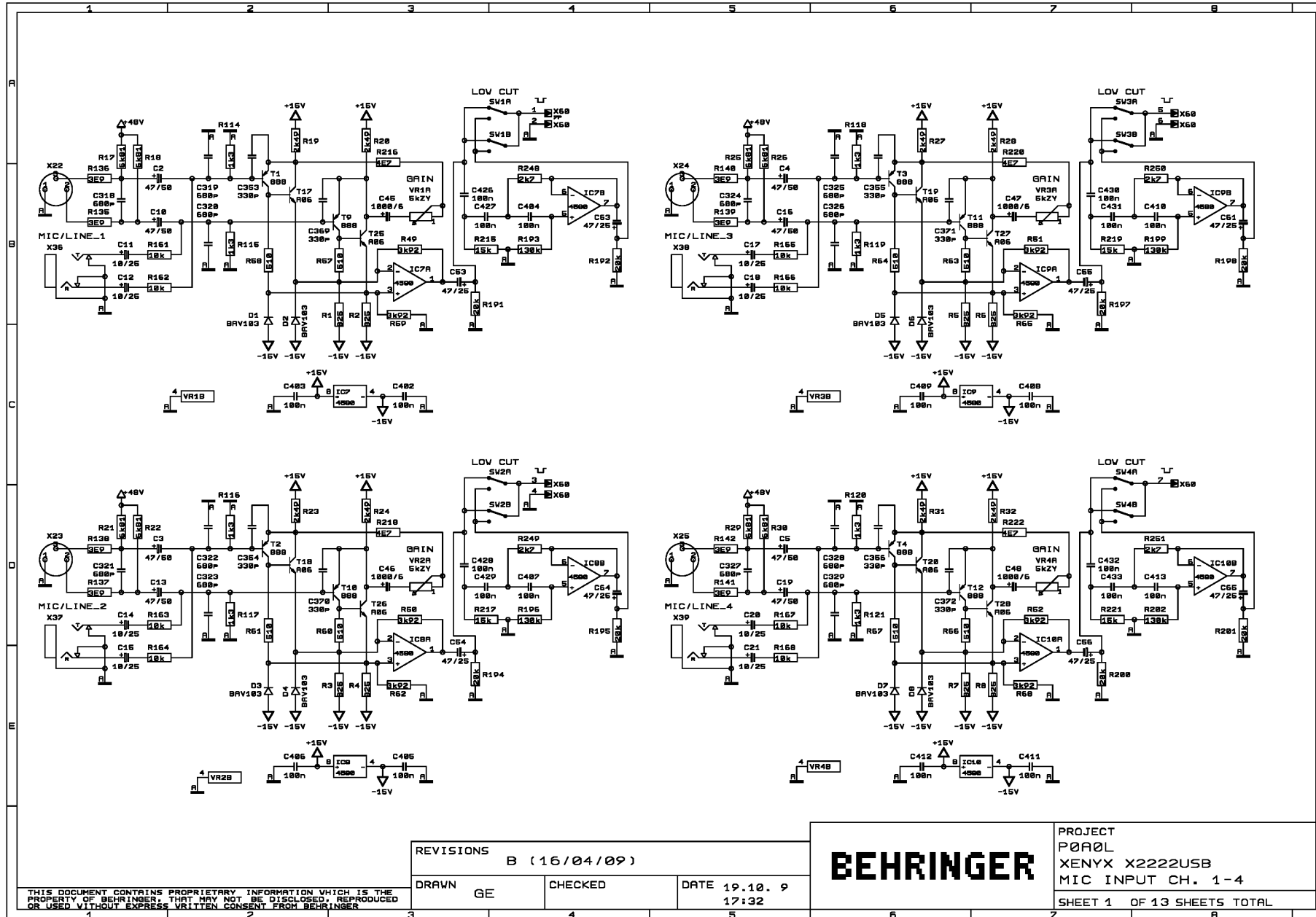


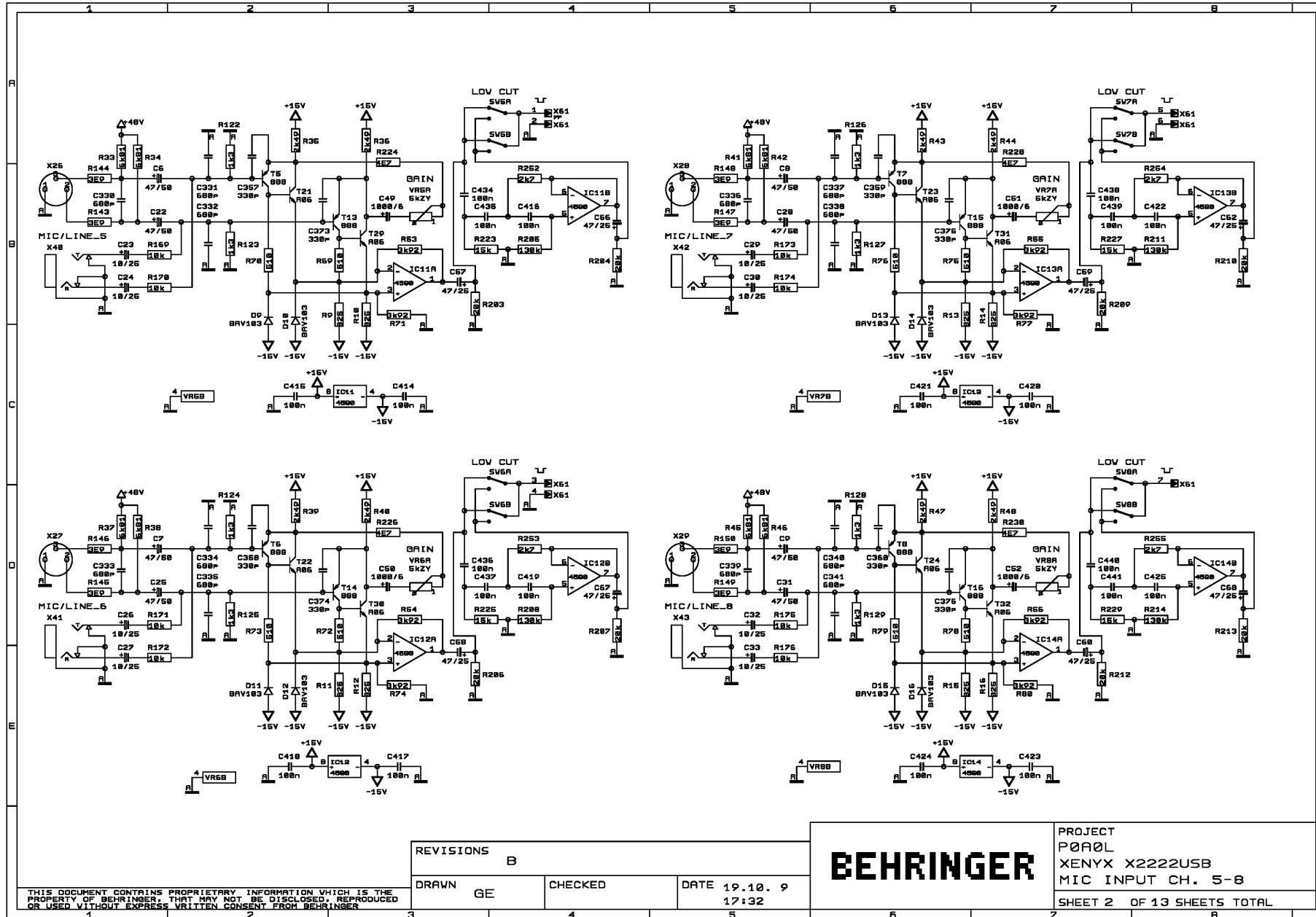
ALL INFORMATION (INCLUDING DRAWINGS AND DIAGRAMS) CONTAINED IN THIS DOCUMENT IS THE PROPERTY OF BEHRINGER ADDRESSEES WHOM THE INFORMATION IS CONFIDED TO SHALL MAINTAIN THE INFORMATION IN CONFIDENCE AND SHALL NOT RELEASE IT TO ANY UNAUTHORIZED THIRD PARTIES (EXCEPT UNDER ATTORNEY CLIENT PRIVILEGE OR UNDER APPROPRIATE CONFIDENTIALITY AGREEMENTS); ANY UNAUTHORIZED DISCLOSURE, USE, APPLICATION OR ANY OTHER DEALINGS IN THE INFORMATION SHALL RESULT IN CIVIL AND/OR (WHERE APPLICABLE) CRIMINAL LIABILITIES AND PENALTIES

REV	CHANGES	DATE	INIT	FILE:	USBIO2CH
B	MODIFIED	23/04/08	GR		
A	CREATED	04/03/08	TZ		

DATE	NAME	USBIO2CH
04/03/08	TZ	2CH USB INTERFACE BOARD

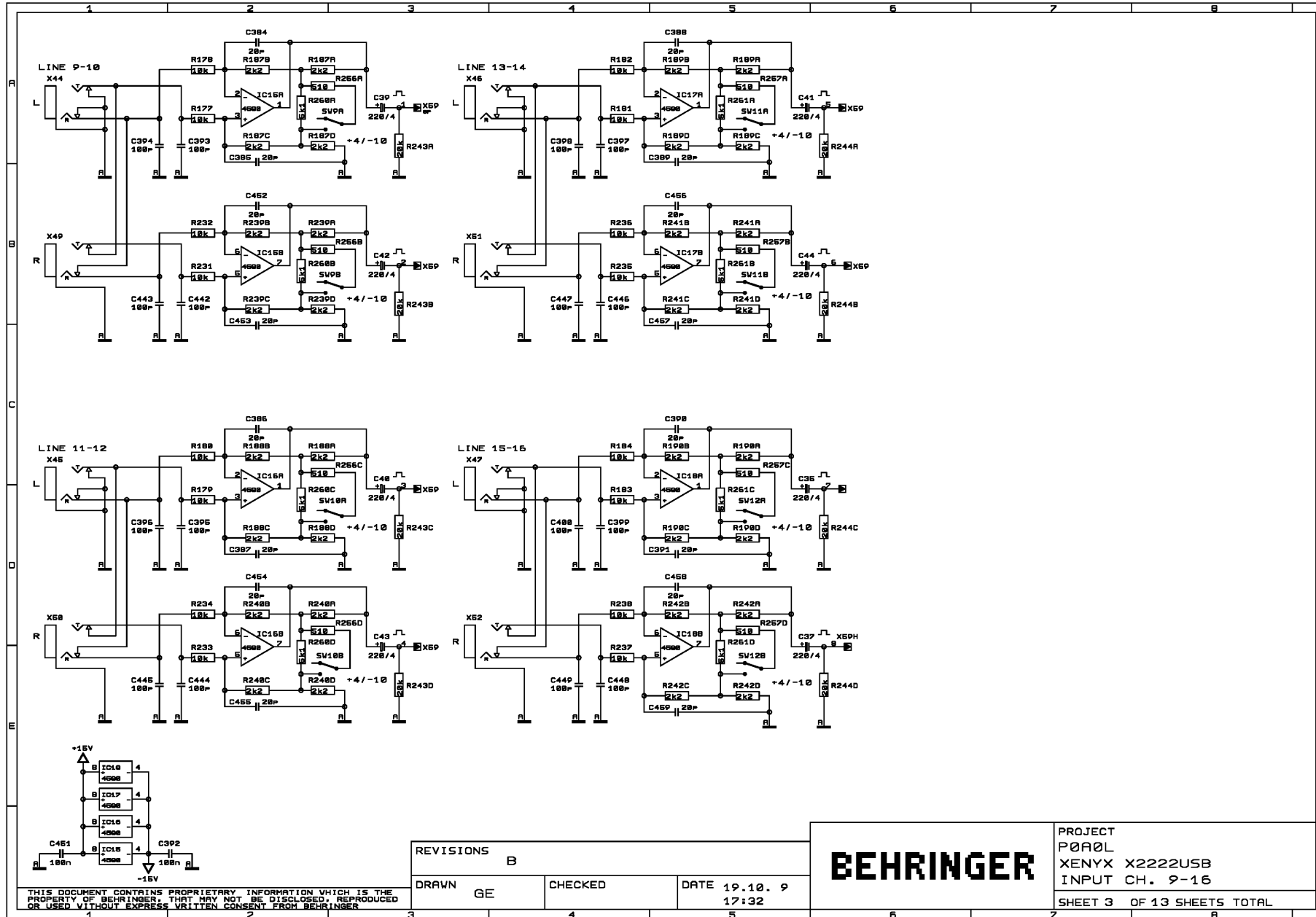
BEHRINGER	SHEET
	1 OF 1
	-0-





BEHRINGER

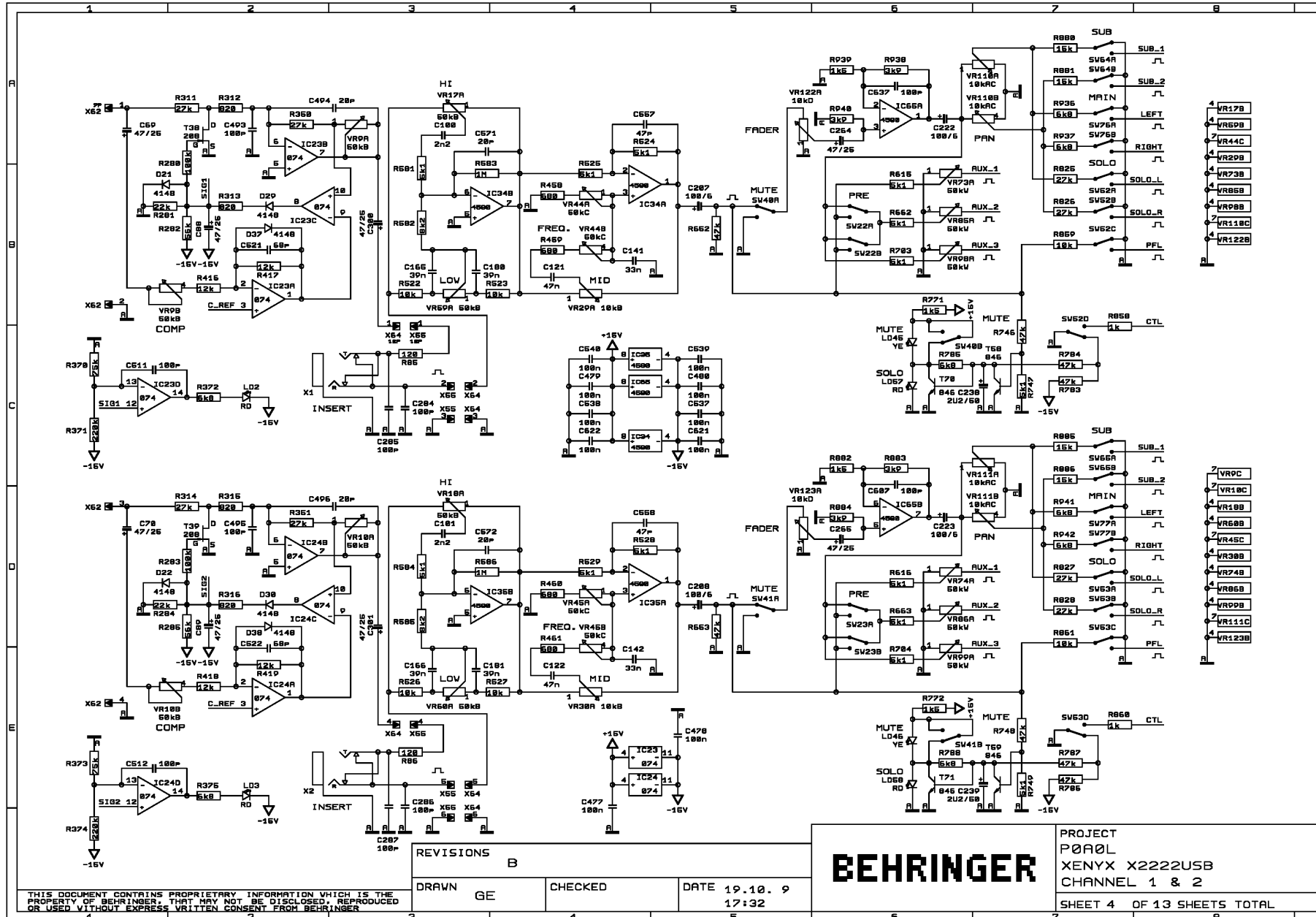
PROJECT
P0A0L
XENYX X2222USB
MIC INPUT CH. 5-8
SHEET 2 OF 13 SHEETS TOTAL



REVISIONS		
B		
DRAWN	CHECKED	DATE
GE		19.10. 9
		17:32

BEHRINGER

PROJECT
P0A0L
XENYX X2222USB
INPUT CH. 9-16
SHEET 3 OF 13 SHEETS TOTAL

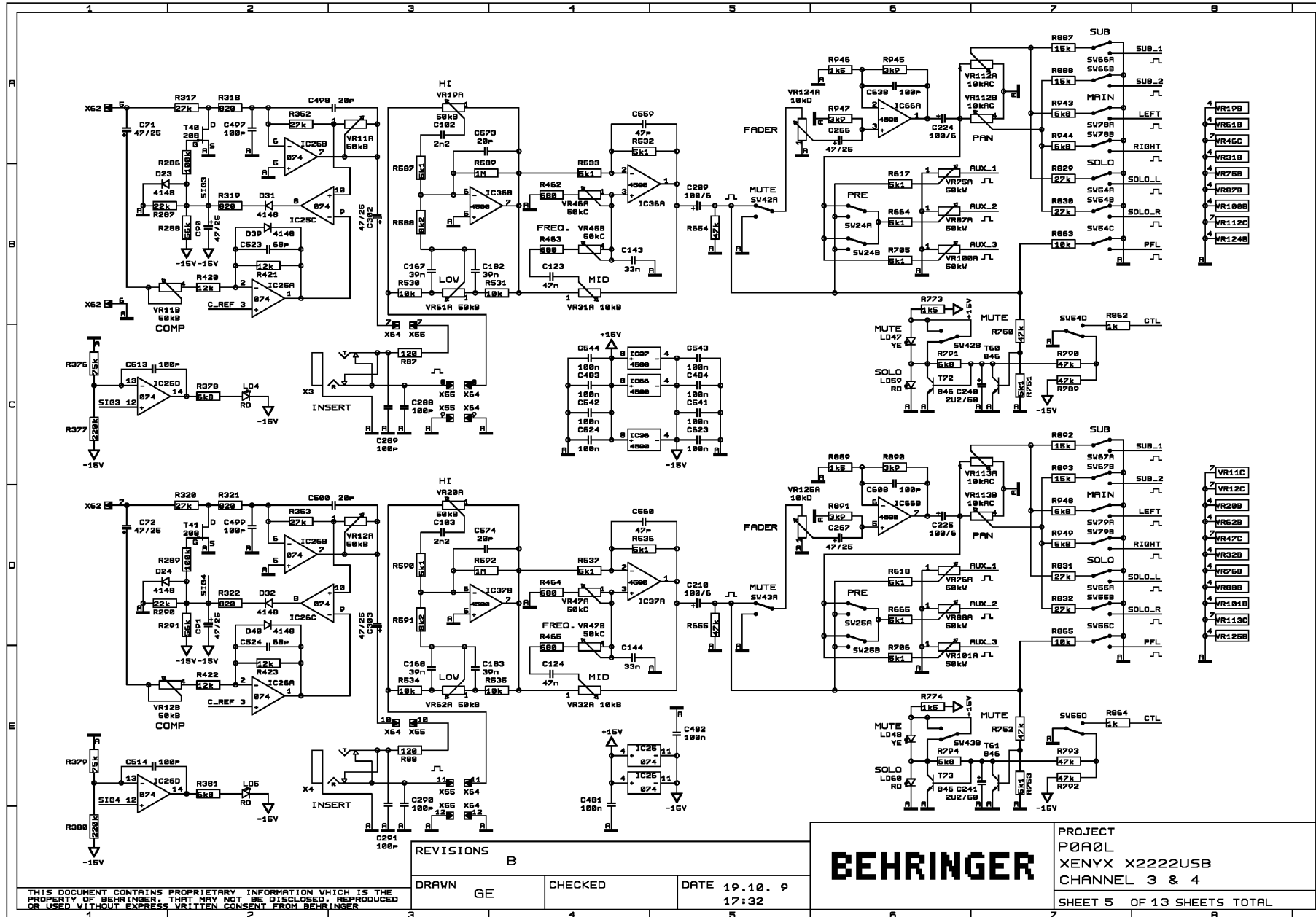


REVISIONS		B	
DRAWN	GE	CHECKED	DATE 19.10.9 17:32

BEHRINGER

PROJECT
P0A0L
XENYX X2222USB
CHANNEL 1 & 2
SHEET 4 OF 13 SHEETS TOTAL

THIS DOCUMENT CONTAINS PROPRIETARY INFORMATION WHICH IS THE PROPERTY OF BEHRINGER THAT MAY NOT BE DISCLOSED, REPRODUCED OR USED WITHOUT EXPRESS WRITTEN CONSENT FROM BEHRINGER.

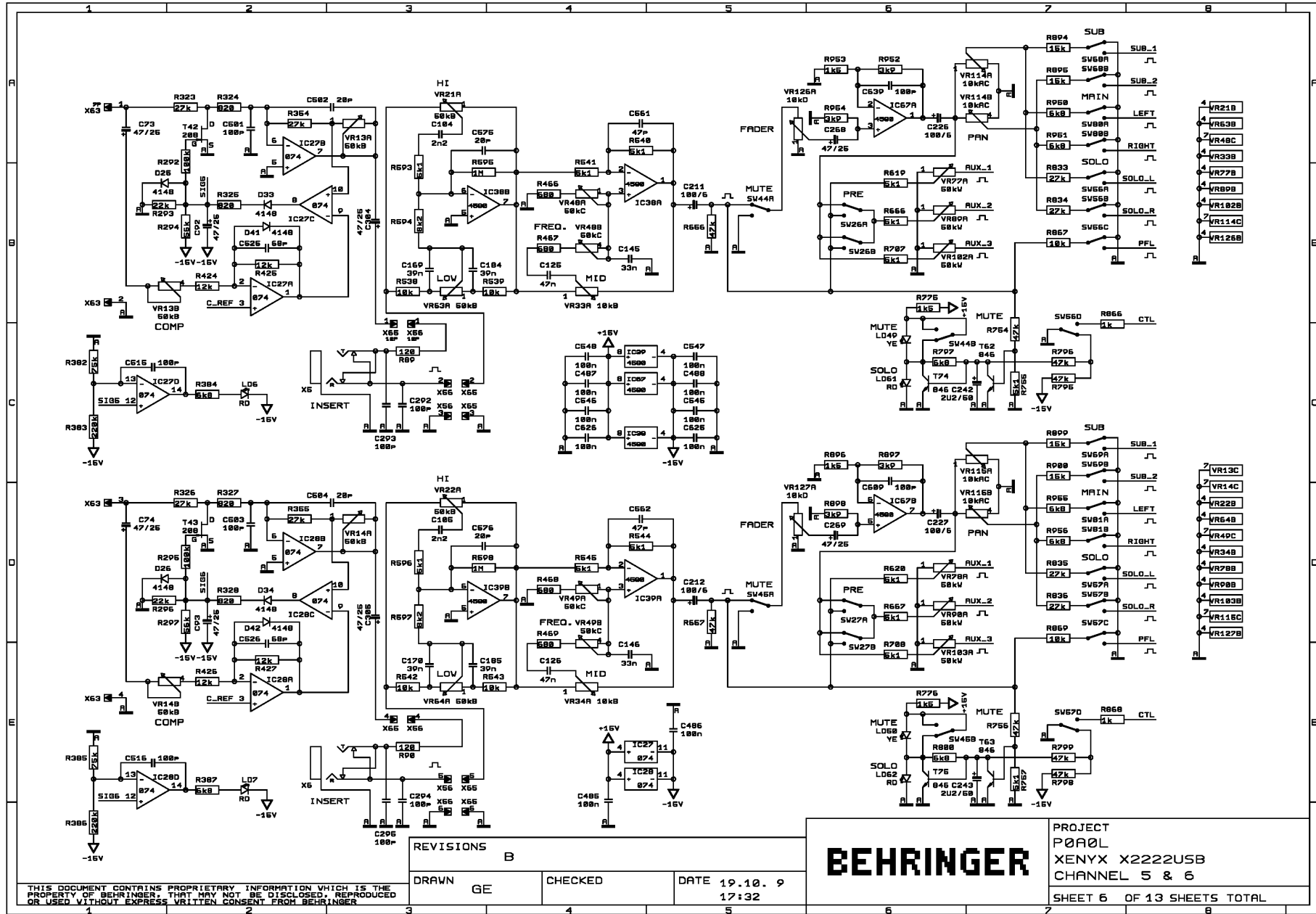


REVISIONS		
B		
DRAWN	CHECKED	DATE 19.10.9
GE		17:32

BEHRINGER

PROJECT
P0A0L
XENYX X2222USB
CHANNEL 3 & 4
SHEET 5 OF 13 SHEETS TOTAL

THIS DOCUMENT CONTAINS PROPRIETARY INFORMATION WHICH IS THE PROPERTY OF BEHRINGER THAT MAY NOT BE DISCLOSED, REPRODUCED OR USED WITHOUT EXPRESS WRITTEN CONSENT FROM BEHRINGER.

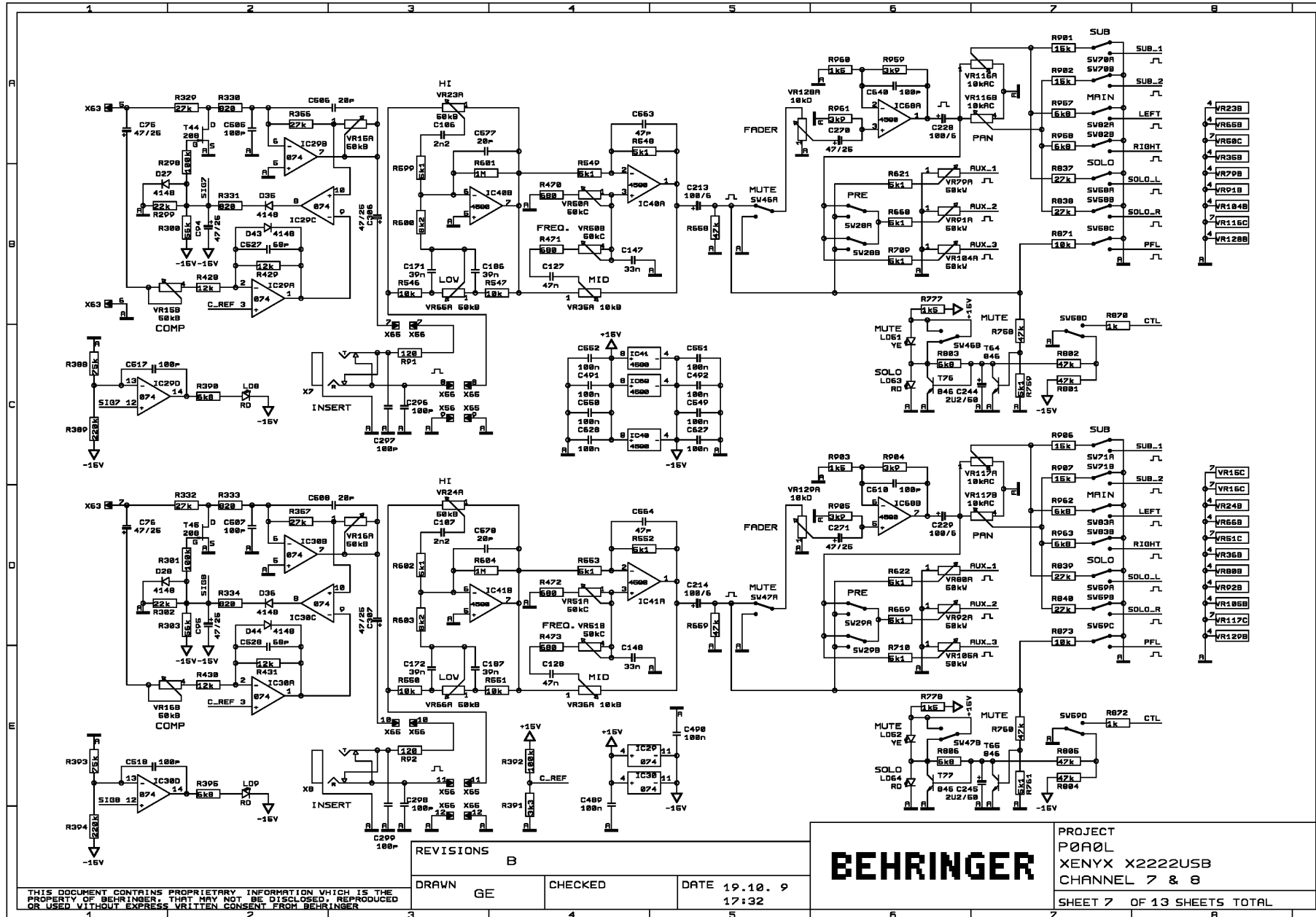


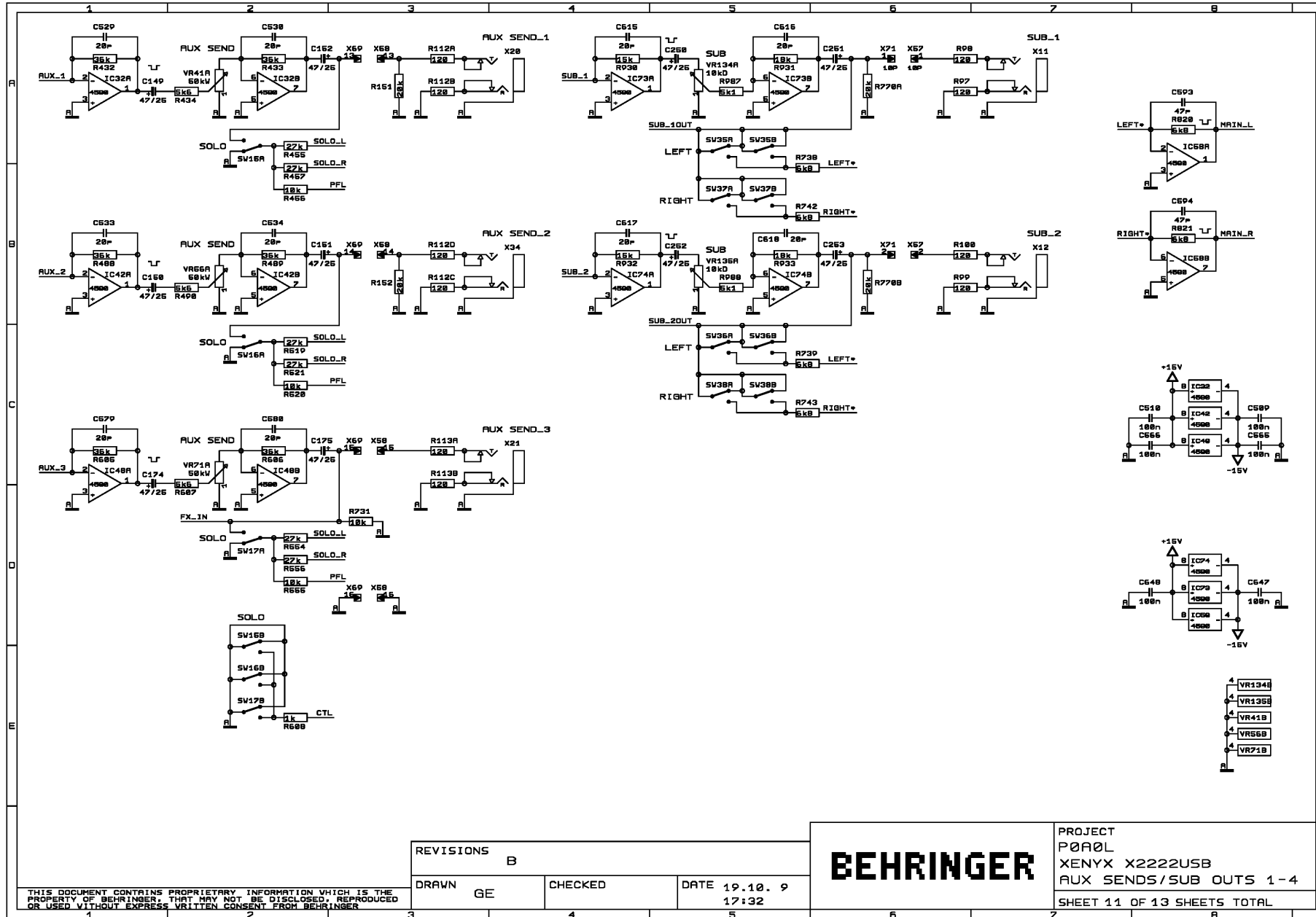
REVISIONS			
B			
DRAWN	GE	CHECKED	DATE 19.10.9 17:32

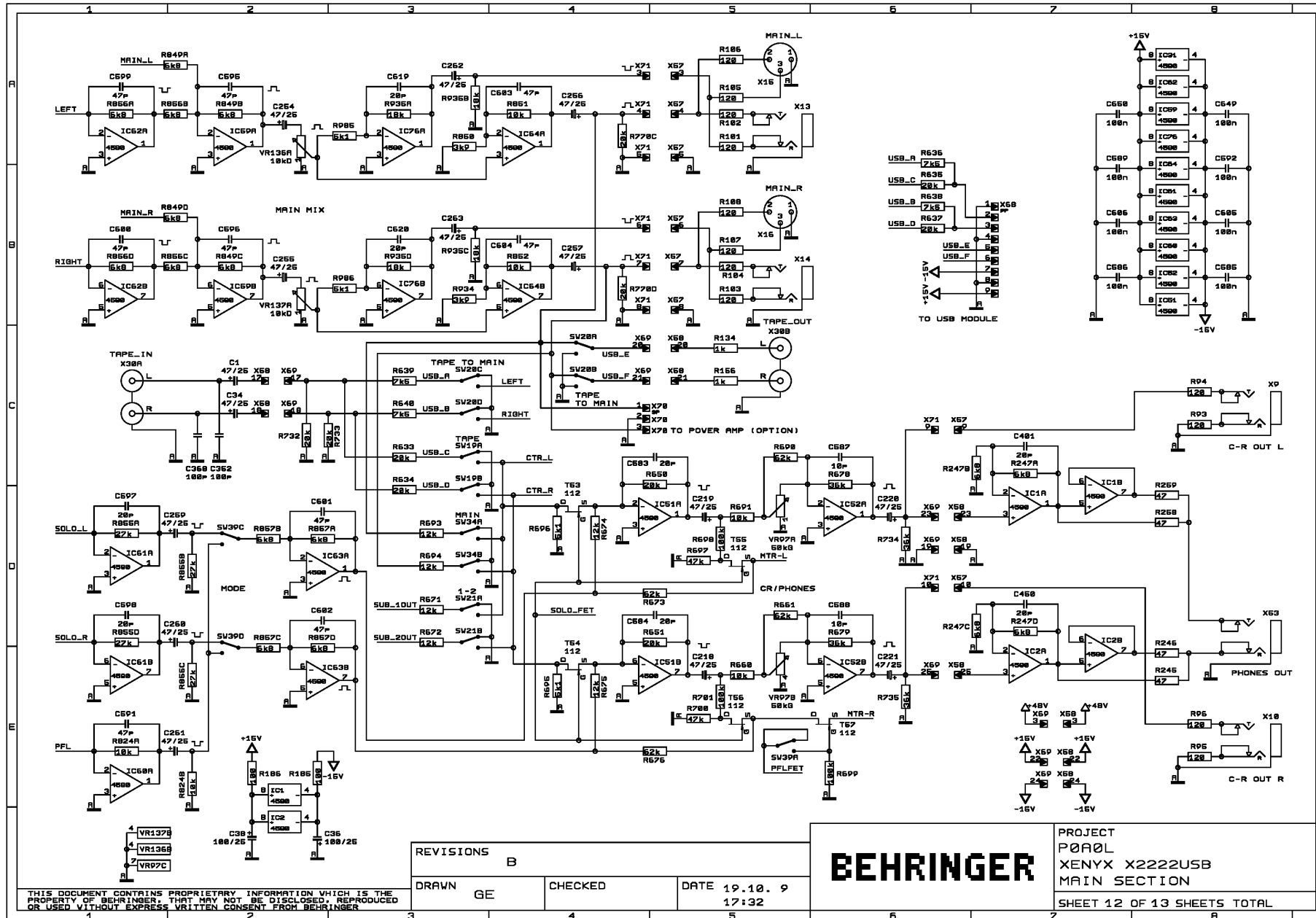
BEHRINGER

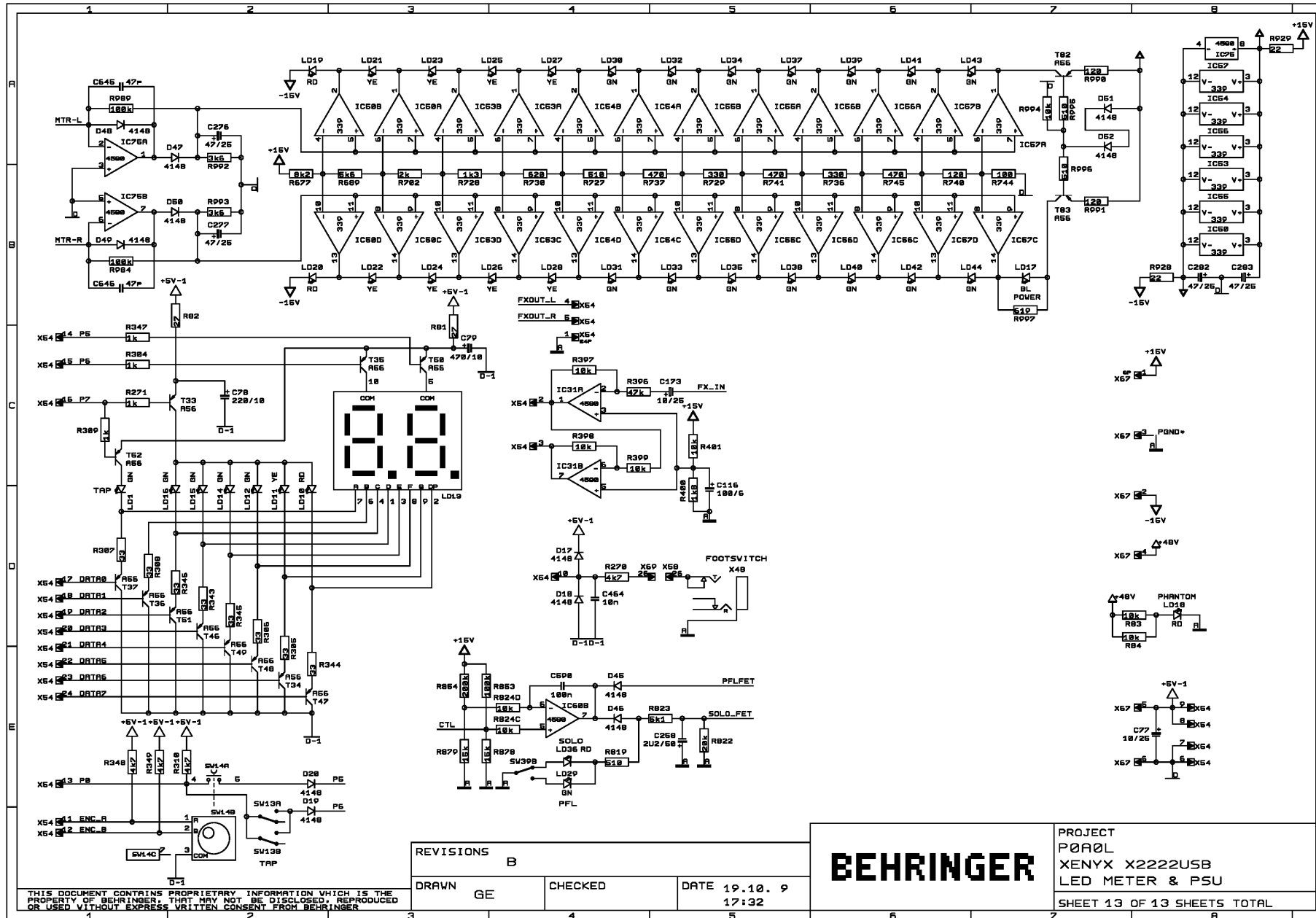
PROJECT
P0A0L
XENYX X2222USB
CHANNEL 5 & 6
SHEET 6 OF 13 SHEETS TOTAL

THIS DOCUMENT CONTAINS PROPRIETARY INFORMATION WHICH IS THE PROPERTY OF BEHRINGER THAT MAY NOT BE DISCLOSED, REPRODUCED OR USED WITHOUT EXPRESS WRITTEN CONSENT FROM BEHRINGER.









Service Assemblies

	Quantity	Unit	S.Sku	M.Sku	Description	Reference Designators	Notes
1			Q06-A0L00-00000	A09-A0L00-00000	SPARE PART;POA0L;COMMON;SMPSU22	[EXTRA SPARE]	
2				A09-A0H00-00000	SPARE PART;POA0H;SMPSU22;REV A	[EXTRA SPARE]	

Hi Pcb Assemblies

	Quantity	Unit	S.Sku	M.Sku	Description	Reference Designators	Notes
1	1.0000	PC	Q05-00000-07247	A05-00000-07247	PCB ASSEMBLY;DPM6V;REV:B;HAND INSERT;NO:907040		
2	1.0000	PC		A05-00000-09527	PCB ASSEMBLY;USBIO2CH;REV:B;HAND INSERT;NO:923040		
3	1.0000	PC		A05-A0L00-10388	PCB ASSEMBLY;SMPSU22 FOR POA0L;REV:A;HAND INSERT;NO.926020		
4	1.0000	PC	Q05-A0L00-10392	A05-A0L00-10392	PCB ASSEMBLY;USBIO2CH;POA0L;REV:B;HAND INSERT;NO:923040		
5	1.0000	PC	Q05-A0L01-09493	A05-A0L01-09493	PCB ASSEMBLY;POA0L;PCB:01;REV:B;HAND INSERT;NO:916040		
6	1.0000	PC	Q05-A0L02-09495	A05-A0L02-09495	PCB ASSEMBLY;POA0L;PCB:02;REV:B;HAND INSERT;NO:917040		
7	1.0000	PC	Q05-A0L03-09497	A05-A0L03-09497	PCB ASSEMBLY;POA0L;PCB:03;REV:B;HAND INSERT;NO:918040		

Cable

	Quantity	Unit	S.Sku	M.Sku	Description	Reference Designators	Notes
1	1.0000	PC	Q71-18004-06054	A71-18004-06054	CABLE;USB2.0;BLACK;UL2725;COLOR:BLACK;LENGTH:1800mm +/-40mm;DIA:4mm;CONNECTORS:USB/B TO USB/A;DOUBLE SHIELDING;MAGNET		
2	0.2620	M		A74-00000-00726	WIRE;RAW FLAT CABLE;UL2651;AWG:28;POLES:26;GRAY;PIN1:RED;PITCH:1mm27		
3	1.0000	PC	Q74-00040-25726	A74-00040-25726	CABLE;FLAT;P:2mm54;LENGTH:250mm;AWG:28;FC1/FD;+10/-0mm;POLES:26	[POA0L:02: {1.0}(X58)]	
4	2.0000	PC		A81-04030-76042	WIRE HARNESS;LENGTH:40mm;AWG:26;P:2mm;HOUSING-BOARD IN CONNECTOR;POLES:7;PIN1 RED/OTHERS BLK		
5	2.0000	PC		A81-04030-76842	WIRE HARNESS;LENGTH:40mm;ZEE;AWG:26;P:2mm;HOUSING-BOARD IN CONNECTOR;POLES:7;PIN1 RED/OTHERS BLK	[POA0L:02: {2.0}(X60-X61)]	
6	1.0000	PC		A81-04030-86042	WIRE HARNESS;LENGTH:40mm;AWG:26;P:2mm;HOUSING-BOARD IN CONNECTOR;POLES:8;PIN1 RED/OTHERS BLK		
7	1.0000	PC		A81-04030-86840	WIRE HARNESS;LENGTH:40mm;AWG:26;P:2mm;ZEE;HOUSING-BOARD IN CONNECTOR;POLES:8;PIN1 RED/OTHERS BLK	[POA0L:02: {1.0}(X59)]	
8	0.0000	PC	Q81-11031-26042	A81-11031-26042	WIRE HARNESS;LENGTH:110mm;AWG:26;P:2mm;HOUSING - BOARD IN CONNECTOR;POLES:12;PIN1 RED/OTHERS BLK		
9	2.0000	PC		A81-11031-26842	WIRE HARNESS;LENGTH:110mm;ZEE;AWG:26;UL2468;P:2mm;HOUSING - BOARD IN CONNECTOR;POLES:12;PIN1 RED/OTHERS BLK	[POA0L:03: {2.0}(X55-X56)]	
10	1.0000	PC		A81-14030-66042	WIRE HARNESS;LENGTH:140mm;AWG:26;P:2mm;HOUSING - BOARD IN CONNECTOR;POLES:6;PIN1 RED/OTHERS BLK		
11	1.0000	PC		A81-14030-66842	WIRE HARNESS;LENGTH:140mm;ZEE;AWG:26;P:2mm;HOUSING - BOARD IN CONNECTOR;POLES:6;PIN1 RED/OTHERS BLK	[A0L00: {1.0}(X3)]	
12	0.0000	PC		A81-21030-26020	WIRE HARNESS;LENGTH:210mm;AWG:26;P:2mm;HOUSING-STRIPPED/TINNED 5mm;POLES:2;PIN1 RED/OTHERS BLK		
13	1.0000	PC		A81-21030-26820	WIRE HARNESS;LENGTH:210mm;ZEE;AWG:26;P:2mm;HOUSING-STRIPPED/TINNED 5mm;POLES:2;PIN1 RED/OTHERS BLK		
14	0.0000	PC		A81-22530-96042	WIRE HARNESS;LENGTH:225mm;AWG:26;P:2mm;HOUSING - BOARD IN CONNECTOR;POLES:9;PIN1 RED/OTHERS BLK		
15	1.0000	PC		A81-22530-96842	WIRE HARNESS;LENGTH:225mm;ZEE;AWG:26;UL2468;P:2mm;HOUSING - BOARD IN CONNECTOR;POLES:9;PIN1 RED/OTHERS BLK	[USBIO2CH:00: {1.0}(X4)]	
16	0.0000	PC		A81-33031-06042	WIRE HARNESS;LENGTH:330mm;AWG:26;P:2mm;HOUSING - BOARD IN CONNECTOR;POLES:10;PIN1 RED/OTHERS BLK		
17	1.0000	PC		A81-33031-06840	WIRE HARNESS;LENGTH:330mm;ZEE;AWG:26;P:2mm;HOUSING - BOARD IN CONNECTOR;POLES:10;PIN1 RED/OTHERS BLK	[POA0L:03: {1.0}(X57)]	
18	1.0000	PC	Q76-00001-31031	A76-00001-31031	CABLE;AC-CORD;W/POLYBAG;LENGTH:150cm;AWG:18;H05VV-F 3G0.75MM;VERSION;UK;5A FUSE		(UK)
19	1.0000	PC	Q76-15222-06417	A76-15222-06417	CABLE;AC-CORD;W/POLYBAG;LENGTH:152cm;AWG:18;VERSION;UL;SPEC.NO:06417		(UL)
20	1.0000	PC	Q76-00000-05305	A76-00000-05305	CABLE;AC-CORD;3;BR;1500 MM;Plug + Connector:375+730;H05VV-F 3G0.75		(BR)
21	1.0000	PC		A76-15062-45714	CABLE;AC-CORD;W/POLYBAG;LENGTH:150cm;POLES:3;APPROVAL:CCC;HC103 + 227 IEC 53 (RVV) 3x0.75mm2 + HE109B		(CCC)
22	1.0000	PC		A76-18050-06505	CABLE;AC-CORD;LENGTH:180cm;VERSION:SAA;PLUG:HE105 ISOLATED;SAA H05VV-F 3x0.75mm2;CONN.HP-3;PANYU		(SAA)
23	1.0000	PC	Q76-15212-03119	A76-15212-03119	CABLE;AC-CORD;W/POLYBAG;LENGTH:152cm;H05VV-F 3G 0.75MM2;VERSION;EU;SPEC.NO:03119		(EU)
24	1.0000	PC	Q76-00000-13573	A76-00000-13573	CABLE;AC-CORD;3;AR;1500 MM;Plug + Connector:321+730;H05VV-F 3G0.75		(AR)
25	1.0000	PC	Q76-18050-47490	A76-18050-47490	CABLE;AC-CORD;LENGTH:180cm;VERSION:SAA;PLUG:HE105 ISOLATED;SAA H05VV-F 3x0.75mm2;CONN.HP-3;SPEC.NO:47490		(SAA)

	Quantity	Unit	S.Sku	M.Sku	Description	Reference Designators	Notes
26	1.0000	PC	Q76-15032-55649	A76-15032-55649	CABLE:AC-CORD;CLASS II;W/POLYBAG;JAPAN;LENGTH:150cm;POLES:3;APPROVAL:PSE;JS15S 3 + VCTF 3x0.75mm2 + V1528		(HM, SH)

Capacitor

	Quantity	Unit	S.Sku	M.Sku	Description	Reference Designators	Notes
1	28.0000	PC			CAP E;220uF;4V;PITCH:2mm5;5mm x 11mm;VERTICAL 12.7-15-9mm	[POA0L:01:{12.0}(C198-C206,C215-C217)]	*NOT available in DP
2	25.0000	PC			CAP E;100uF;6V;PITCH:2mm5;5mm x 11mm;VERTICAL 12.7-15-9mm	[POA0L:01:{10.0}(C196-C197,C207-C214)]	*NOT available in DP
3	1.0000	PC			CAP E;220uF;10V;PITCH:2mm5;6mm x 11mm;VERTICAL 12.7-15-9mm	[POA0L:01:{1.0}(C78)]	*NOT available in DP
4	8.0000	PC			CAP E;10uF;16V;PITCH:2mm5;4mm x 7mm;VERTICAL 12.7-15-9mm	[USBIO2CH:00:{4.0}(C23-C25,C28)]	*NOT available in DP
5	1.0000	PC			CAP E;1uF;25V;PITCH:2mm5;4mm x 7mm;VERTICAL 12.7-15-9mm	[POA0M:00:{1.0}(C6)]	*NOT available in DP
6	4.0000	PC			CAP E;10uF;25V;PITCH:2mm5;4mm x 7mm;VERTICAL 12.7-15-9mm	[DPM6V:00:{2.0}(C1,C3)]	*NOT available in DP
7	19.0000	PC			CAP E;10uF;25V;PITCH:2mm5;5mm x 11mm;VERTICAL 12.7-15-9mm	[SMPSU22:00:{1.0}(C2)]	*NOT available in DP
8	2.0000	PC			CAP E;47uF;25V;PITCH:2mm5;5mm x 7mm;VERTICAL 12.7-15-9mm	[DPM6V:00:{1.0}(C4)]	*NOT available in DP
9	92.0000	PC			CAP E;47uF;25V;PITCH:2mm5;5mm x 11mm;VERTICAL 12.7-15-9mm	[00000:{1.0}(C10)]	*NOT available in DP
10	4.0000	PC			CAP E;100uF;25V;PITCH:2mm5;6mm x 12mm;VERTICAL 12.7-15-9mm	[00000:{2.0}(C4-C5)]	*NOT available in DP
11	1.0000	PC			CAP E;1uF;50V;PITCH:2mm5;5mm x 11mm;VERTICAL 12.7-15-9mm	[00000:{1.0}(C13)]	*NOT available in DP
12	13.0000	PC			CAP E;2uF;25V;PITCH:2mm5;5mm x 11mm;VERTICAL 12.7-15-9mm	[POA0L:01:{1.0}(C258)]	*NOT available in DP
13	2.0000	PC			CAP E;47uF;63V;PITCH:2mm5;6mm x 11mm;VERTICAL 12.7-15-9mm	[00000:{2.0}(C18-C19)]	*NOT available in DP
14	8.0000	PC			CAP E;1mF;6V;PITCH:3mm5;8mm x 14mm;PRECUT:3mm2 - 0/+0mm2	[POA0L:02:{8.0}(C45-C52)]	*NOT available in DP
15	1.0000	PC			CAP E;470uF;10V;PITCH:3mm5;8mm x 12mm;PRECUT:3mm2 - 0/+0mm2	[POA0L:01:{1.0}(C79)]	*NOT available in DP
16	1.0000	PC			CAP E;330uF;100V;PITCH:5mm;PRECUT:3mm2 -0/+0mm2;13 x 25mm	[SMPSU22:00:{1.0}(C20)]	*NOT available in DP
17	1.0000	PC			CAP CER;100pF;25V;COG;10%;SMT805	[SMPSU22:00:{1.0}(C32)]	*NOT available in DP
18	7.0000	PC			CAP CER;10pF;50V;10%;SMT603	[USBIO2CH:00:{5.0}(C1-C5)]	*NOT available in DP
19	80.0000	PC			CAP CER;20pF;50V;20%;SMT603	[DPM6V:00:{2.0}(C16-C17)]	*NOT available in DP
20	2.0000	PC			CAP CER;33pF;50V;5%;COG(NPO);SMT603	[USBIO2CH:00:{2.0}(C15-C16)]	*NOT available in DP
21	21.0000	PC			CAP CER;47pF;50V;5%;COG(NPO);SMT603	[POA0L:01:{21.0}(C557-C564,C591,C593-C596,C599-C604,C645-C646)]	*NOT available in DP
22	8.0000	PC			CAP CER;68pF;50V;20%;SMT603	[POA0L:01:{8.0}(C521-C528)]	*NOT available in DP
23	90.0000	PC			CAP CER;100pF;50V;20%;SMT603	[USBIO2CH:00:{6.0}(C17-C22)]	*NOT available in DP
24	16.0000	PC			CAP CER;330pF;50V;20%;SMT603	[POA0L:02:{16.0}(C353-C360,C369-C376)]	*NOT available in DP
25	24.0000	PC			CAP CER;680pF;50V;10%;SMT603	[POA0L:02:{24.0}(C318-C341)]	*NOT available in DP
26	2.0000	PC			CAP CER;1nF;50V;10%;SMT603	[POA0L:02:{2.0}(C342,C381)]	*NOT available in DP
27	2.0000	PC			CAP CER;6nF8;50V;10%;SMT603	[POA0L:02:{2.0}(C344,C383)]	*NOT available in DP
28	2.0000	PC			CAP CER;15nF;50V;10%;SMT603	[POA0L:02:{2.0}(C343,C382)]	*NOT available in DP
29	1.0000	PC			CAP CER;2nF2;50V;10%;SMT805	[DPM6V:00:{1.0}(C15)]	*NOT available in DP
30	1.0000	PC			CAP CER;10nF;50V;10%;SMT805	[POA0L:01:{1.0}(C464)]	*NOT available in DP
31	22.0000	PC			CAP CER;100nF;50V;+80/-20%;SMT805	[POA0L:02:{22.0}(C308,C348,C361,C377,C392,C402-C403,C405-C406,C408-C409,C411-C412,C414-C415,C417-C418,C420-C421,C423-C424,C451)]	*NOT available in DP
32	125.0000	PC			CAP CER;100nF;50V;X7R;10%;SMT805	[SMPSU22:00:{9.0}(C23-C31)]	*NOT available in DP
33	16.0000	PC			CAP MYL;39nF;50V;10%;PITCH:5mm;DIPPED;VERTICAL 12.7-15-9mm	[POA0L:01:{16.0}(C165-C172,C180-C187)]	*NOT available in DP
34	8.0000	PC			CAP MYL;33nF;50V;10%;PITCH:5mm;DIPPED;VERTICAL 12.7-15-9mm	[POA0L:01:{8.0}(C141-C148)]	*NOT available in DP
35	8.0000	PC			CAP MYL;1nF;50V;10%;PITCH:3mm5;DIPPED;PRECUT 3mm1 +/- 0mm5	[POA0L:01:{8.0}(C80-C87)]	*NOT available in DP
36	8.0000	PC			CAP MYL;2nF2;50V;10%;PITCH:4mm;DIPPED;PRECUT 3mm1 +/- 0mm5	[POA0L:01:{8.0}(C100-C107)]	*NOT available in DP
37	16.0000	PC			CAP MYL;3nF3;50V;10%;PITCH:3mm5;DIPPED;PRECUT 3mm1 +/- 0mm5	[POA0L:01:{16.0}(C96-C99,C108-C115,C129-C132)]	*NOT available in DP

	Quantity	Unit	S.Sku	M.Sku	Description	Reference Designators	Notes
38	16.0000	PC			CAP MYL;47nF;50V;10%;PITCH:5mm5;DIPPED;PRECUT:3mm1 +/-0mm5	[P0A0L:01:{16.0}(C121-C128,C188-C195)]	*NOT available in DP
39	16.0000	PC			CAP MYL;12nF;100V;10%;PITCH:4mm;DIPPED;PRECUT:3mm1 +/-0mm5	[P0A0L:01:{16.0}(C133-C140,C157-C164)]	*NOT available in DP
40	3.0000	PC			CAP Y2;4nF7;275V;PITCH:7mm5;Y2	[SMPSU22:00:{3.0}(C3,C21-C22)]	*NOT available in DP
41	1.0000	PC			CAP E;150uF;400V;PITCH:10mm;25mmx30mm;SNAP-IN;PRECUT:3mm2 -0/+0mm2	[SMPSU22:00:{1.0}(C7)]	*NOT available in DP
42	2.0000	PC	R12-32100-04351	B12-32100-04351	CAP X2;100nF;275V;PITCH:15mm;CASE:8mm5 x 18mm;CASE:8mm5 x 18mm;PRECUT:3.1mm +/-0mm5	[SMPSU22:00:{2.0}(C8,C14)]	
43	1.0000	PC			CAP E;470uF;16V;PITCH:3mm5;8mm x 14mm;PRECUT:3mm2 -0/+0mm2;LOW ESR	[SMPSU22:00:{1.0}(C9)]	*NOT available in DP
44	2.0000	PC			CAP E;1mF;25V;PITCH:5mm;10mm x 20mm;PRECUT:3mm2 -0/+0mm2;LOW ESR	[SMPSU22:00:{2.0}(C12,C16)]	*NOT available in DP
45	1.0000	PC			CAP CER;100pF;1KV;20%;PITCH:5mm;DISC;VERTICAL 12.7-15-9mm	[00000:{1.0}(C17)]	*NOT available in DP
46	2.0000	PC			CAP CER;1nF;1KV;20%;PITCH:5mm;DISC;VERTICAL 12.7-15-9mm	[00000:{2.0}(C11,C15)]	*NOT available in DP
47	1.0000	PC			CAP CER;10nF;1KV;20%;PITCH:10mm;DISC;PRECUT:3mm1 +/-0mm5	[SMPSU22:00:{1.0}(C1)]	*NOT available in DP
48	1.0000	PC			CAP E;470uF;25V;PITCH:3mm5;8mm x 14mm;PRECUT:3mm2 -0/+0mm2;105C	[SMPSU22:00:{1.0}(C6)]	*NOT available in DP
49	16.0000	PC			CAP E;47uF;50V;PITCH:2mm5;6mm x 11mm;LOW LEAKAGE;VERTICAL 12.7-15-9mm	[P0A0L:02:{16.0}(C2-C10,C13,C16,C19,C22,C25,C28,C31)]	*NOT available in DP

Circuit Protector

	Quantity	Unit	S.Sku	M.Sku	Description	Reference Designators	Notes
1	1.0000	PC	R22-01513-16001	B22-01513-16001	FUSE;1A6;250V;SLOW BLOW;H-TYPE;5mm x 20mm		

Coil

	Quantity	Unit	S.Sku	M.Sku	Description	Reference Designators	Notes
1	1.0000	PC		B34-00000-43407	COIL;LINE FILTER;25 mH;20 MM;UT20 L:25mH MIN@1KHZ,0.25V	[SMPSU22:00:{1.0}(L1)]	
2	1.0000	PC	R37-21200-00019	B37-21200-00019	COIL;CHOKE SMD;SMD 3.2x1.6x1.15;COMMON-MODE;(MURATA DLP31SN121ML2L)	[USBIO2CH:00:{1.0}(L1)]	
3	3.0000	PC	R39-00000-03394	B39-00000-03394	COIL;SMD;BEAD;SMD0805;(BLM21BD751SN1D)	[DPM6V:00:{3.0}(L1-L3)]	
4	4.0000	PC	R39-21202-00018	B39-21202-00018	COIL;SMD BEAD;SMD1608;(MURATA BLM18BB121))	[USBIO2CH:00:{4.0}(L2-L5)]	

Connector

	Quantity	Unit	S.Sku	M.Sku	Description	Reference Designators	Notes
1	1.0000	PC	R83-20184-37925	B83-20184-37925	CONNECTOR;FEMALE;ANGLED;USB;SINGLE;TYPE-B	[USBIO2CH:00:{1.0}(X3)]	
2	73.0000	PC	R84-25016-06014	B84-25016-06014	CRIMP TERMINAL;PITCH:2mm0;AWG24-30;A2008TOP-2		
3	1.0000	PC	R84-42050-00155	B84-42050-00155	CRIMP CONNECTOR;LUG;INNER DIA:4mm3;AWG 14-18;WIRE MOUNT;STRAIGHT		
4	2.0000	PC	R95-01320-03303	B95-01320-03303	CONNECTOR;XLR;SOCKET;MALE;STRAIGHT;POLES:3	[P0A0L:03:{2.0}(X15-X16)]	
5	8.0000	PC	R95-01340-03300	B95-01340-03300	CONNECTOR;XLR;SOCKET;FEMALE;STRAIGHT;POLES:3	[P0A0L:02:{8.0}(X22-X29)]	

Diode

	Quantity	Unit	S.Sku	M.Sku	Description	Reference Designators	Notes
1	1.0000	PC			DIODE;HER104;DO41;RADIAL	[SMPSU22:00:{1.0}(D7)]	*NOT available in DP
2	1.0000	PC			DIODE;HER107;DO41;RADIAL	[SMPSU22:00:{1.0}(D3)]	*NOT available in DP
3	1.0000	PC			DIODE;HER207;DO15;RADIAL	[SMPSU22:00:{1.0}(D9)]	*NOT available in DP
4	4.0000	PC			DIODE;HER303;DO27;RADIAL	[SMPSU22:00:{4.0}(D4-D6,D8)]	*NOT available in DP
5	16.0000	PC			DIODE;BAV103;SOD80;TEMIC	[POA0L:02:{16.0}(D1-D16)]	*NOT available in DP
6	40.0000	PC			DIODE;LL4148;LL34;TEMIC OR FC;SMD	[DPM6V:00:{4.0}(D1-D4)]	*NOT available in DP
7	1.0000	PC			DIODE;P6KE;200A;DO15	[00000:{1.0}(D2)]	*NOT available in DP
8	1.0000	PC			DIODE;ZPD47V0;DO35;TEMIC OR FC	[SMPSU22:00:{1.0}(D10)]	*NOT available in DP
9	1.0000	PC	X80-24270-20600	H80-24270-20600	RECTIFIER;BRIDGE;KBP206G	[SMPSU22:00:{1.0}(D1)]	

Display

	Quantity	Unit	S.Sku	M.Sku	Description	Reference Designators	Notes
1	1.0000	PC	S28-00000-32332	C28-00000-32332	DISPLAY;LED;Pattern:8.8.;0.4 IN;AMBER;COMMON ANODE;SIZE:20.1X16	[POA0L:01:{1.0}(LD13)]	

Hardware

	Quantity	Unit	S.Sku	M.Sku	Description	Reference Designators	Notes
1	1.0000	PC			CABLE TIE;NYLON;4in;COLOR:		*NOT available in DP
2	1.1000	G			THERM-GREASE;COLOR:WHT;SPEC.NO:09286		*NOT available in DP
3	3.6520	G			SCREWLOCK;SPEC.NO:01090		*NOT available in DP
4	1.0000	PC			HEX. NUT;INNER DIA;M4mm;SURFACE:ZINC		*NOT available in DP
5	41.0000	PC			HEX. NUT;FOR JACK;M 3/8in;HEXWRENCH:11mm;THICKNESS:2mm;SURFACE:NICKEL/SLV		*NOT available in DP
6	1.0000	PC			HEX. NUT;FOR JACK;M 3/8in;HEXWRENCH:11mm;THICKNESS:2mm4;SURFACE:NICKEL/SILVER		*NOT available in DP
7	6.0000	PC			SCREW;M3mm*5mm;HEAD:PAN;INSERT:PHILIPS REC.;SURFACE:SILVER ZINC		*NOT available in DP
8	10.0000	PC			SCREW;M3mm*5mm;HEAD:PAN;INSERT:PHILIPS REC.;SURFACE:BLACK/ZINC		*NOT available in DP
9	3.0000	PC			SCREW;M3mm*6mm;HEAD:PAN;INSERT:PHILIPS REC.;SURFACE:SILVER/ZINC		*NOT available in DP
10	25.0000	PC			SCREW;M3mm*6mm;HEAD:PAN;INSERT:PHILLIPS REC.;SURFACE:BLACK/ZINC		*NOT available in DP
11	30.0000	PC			SCREW;M3mm*6mm;HEAD:TRUSS DIA 5mm2;INSERT:PHILIPS REC.;SURFACE:BLACK/ZINC		*NOT available in DP
12	21.0000	PC			SCREW;BT3mm*8mm;HEAD:PAN;INSERT:PHILLIPS REC.;SURFACE:BLACK/ZINC		*NOT available in DP
13	3.0000	PC			SCREW;M03mm*08mm;HEAD:PAN SPRING WASHER;INSERT:PHILIPS REC.;SURFACE:SILVER/ZINC		*NOT available in DP
14	12.0000	PC			SCREW;M4mm*5mm;HEAD:PAN;INSERT:PHILIPS REC.;SURFACE:BLACK/ZINC		*NOT available in DP
15	1.0000	PC			SCREW;M4mm*10mm;HEAD:BINDING;INSERT:PHILIPS REC.;SURFACE:SILVER/ZINC		*NOT available in DP
16	2.0000	PC		F89-07018-00111	INSULATION SHEET;SI-RUBBER;TO220 W/HOLE;11mm*18mm		
17	1.0000	PC	V89-07022-00121	F89-07022-00121	INSULATION SHEET;SI-RUBBER;TO220;COVER		
18	1.0000	PC			METAL;SHIELD;UB-MIXER TRANSFORMER;DST.NO:002;DPT.NO:06841;(UB-MIXER-TRAF0_SHIELDING-REVB.DWG)		*NOT available in DP
19	1.0000	PC			SHIELD 01;UB MIXER;TIN SHEET;DWG.NO:24864;(R20-UB-SHIELD1-REVA.DWG)	[P0A0L:01:{1.0}(A1)]	*NOT available in DP
20	1.0000	PC			SILICA GEL;MASS;20g;SPEC.NO:20QB-BB2001-4		*NOT available in DP
21	1.0000	PC			STUD;THREAD-DIA;3mm;LENGTH:11mm;EXT/INT		*NOT available in DP
22	1.0000	PC			STUD;THREAD-DIA;3mm;LENGTH:11mm;INT/INT		*NOT available in DP
23	22.0000	PC			STUD;THREAD-DIA;3mm;LENGTH:13mm8;INT/INT		*NOT available in DP
24	4.0000	PC			STUD;THREAD-DIA;3mm;LENGTH:24mm3;INT/INT		*NOT available in DP
25	0.0600	M			SHRINKING TUBE;INNER DIA;3mm;SPEC.NO:01097		*NOT available in DP
26	0.1600	M			SHRINKING TUBE;INNER DIA;4mm;SPEC.NO:01098		*NOT available in DP
27	0.1200	M			SHRINKING TUBE;INNER DIA;6mm;SPEC.NO:01099		*NOT available in DP
28	42.0000	PC			WASHER;PLAIN;INNER DIA:9mm6;OUTER DIA:13mm;THICKNESS;0mm5;PLATING:NICKEL		*NOT available in DP
29	1.0000	PC			WASHER;EXTERNAL TEETH;INNER DIA:3mm;OUTER DIA:6mm;THICKNESS:1mm;PLATING:CR(III)		*NOT available in DP
30	2.0000	PC			WASHER;EXTERNAL TEETH;INNER DIA:4mm;OUTER DIA:7mm;THICKNESS:1mm7		*NOT available in DP
31	1.0000	PC		F97-00600-11827	FILM;PROTECTIVE;DST.NO:006;DPT.NO:11827;(UB-SPSU-FOIL-REVF.DWG)		
32	2.0000	PC			BUSHING;MINIATURE;NYLON;DWG.NO:27886;(R20-SC-PLA_NYLBUSHM3x1_4.DWG)		*NOT available in DP

Ic

	Quantity	Unit	S.Sku	M.Sku	Description	Reference Designators	Notes
1	1.0000	PC	S60-54422-00528	C60-22422-00528	IC;AD/DA;V4220M;SSOP	[DPM6V:00: {1.0}]{IC2}	
2	1.0000	PC		C60-54422-00528	IC;AD/DA;CS4220;SOP		
3	61.0000	PC		C73-00000-29050	IC;OPAMP;SMD;SOP;8;BA4580RF	[USBIO2CH:00: {1.0}]{IC3}	
4	8.0000	PC	S73-58007-40514	C73-31007-40514	IC;OPAMP OPAMP;TL074;SOP;	[POA0L:01: {8.0}]{IC23-IC30}	
5	2.0000	PC		C73-59458-00408	IC;OPAMP OPAMP;NJM4580L;SIP	[POA0L:02: {2.0}]{IC1-IC2}	
6	1.0000	PC	S73-59458-00508	C73-59458-00508	IC;OPAMP OPAMP;NJM4580;SOP		
7	1.0000	PC	S74-41024-50707	C74-41024-50707	IC;POWER-CONVERSION;TOP245Y;TO-220-7C	[SMPSU22:00: {1.0}]{IC2}	
8	1.0000	PC	S74-61043-10803	C74-61043-10803	IC;POWER-CONVERSION;VOLT.REFERENCE;TO-92;TL431ACZ	[SMPSU22:00: {1.0}]{IC3}	
9	1.0000	PC	S77-00128-03001	C77-00128-03001	IC;VOLT.REGULATOR;ADJUSTABLE;SOT223;NCP1117STAT3;SMD	[USBIO2CH:00: {1.0}]{IC2}	
10	1.0000	PC	S77-05107-03110	C77-05107-03110	IC;VOLT.REGULATOR;7805F;FULLPACK;TO220	[: {1.0}]{IC1}	
11	6.0000	PC	S78-55133-90514	C78-55133-90514	IC;COMPARATOR;(SGS ONLY);LM339;SOP;SMD	[POA0L:01: {6.0}]{IC50,IC53-IC57}	
12	1.0000	PC	T12-00100-02216	D12-00100-02217	IC;DIG COMM.;EUROTEC;V1000;SOIC	[DPM6V:00: {1.0}]{IC3}	
13	1.0000	PC	T24-18016-81844	D24-18016-81844	IC;MICROCONTROLLER;ATMEGA16L-8AC;TQFP44	[: {1.0}]{IC1}	
14	1.0000	PC		D28-00001-21435	IC;DIGITAL AUDIO CODEC;SMD;SSOP;PINS:28;V2902	[USBIO2CH:00: {1.0}]{IC1}	
15	1.0000	PC		D33-00001-34373	IC;MICROCONTROLLER, PROGRAMMED;ATMEGA16L-8AC;POA0M(X2442USB)_PCB V:1.01	[DPM6V:00: {1.0}]{IC1}	

Led

	Quantity	Unit	S.Sku	M.Sku	Description	Reference Designators	Notes
1	1.0000	PC	U10-00000-28401	E10-00000-28401	LED HIB;3mm ROUND;AMBER;NORMAL BRIGHT;W/RING;LED;v:Typ.60mcd	[POA0L:01: {1.0}]{LD17}	
2	4.0000	PC	U10-33565-00578	E10-33565-00578	LED HIB;2mm x 5mm;GREEN	[POA0L:01: {4.0}]{LD12,LD14-LD16}	
3	1.0000	PC	U10-39585-00580	E10-39585-00580	LED HIB;2mm x 5mm;YELLOW	[POA0L:01: {1.0}]{LD11}	
4	16.0000	PC	U10-53565-00588	E10-53565-00588	LED HIB;3mm ROUND;GREEN	[POA0L:01: {16.0}]{LD1,LD29-LD35,LD37-LD44}	
5	20.0000	PC	U10-59585-00592	E10-59585-00592	LED HIB;3mm ROUND;YELLOW	[POA0L:01: {20.0}]{LD21-LD28,LD45-LD56}	
6	1.0000	PC	U12-37630-00579	E12-37630-00579	LED;2mm x 5mm;RD	[POA0L:01: {1.0}]{LD10}	
7	23.0000	PC	U12-57630-00590	E12-57630-00590	LED;3mm ROUND;RD	[POA0L:01: {23.0}]{LD2-LD9,LD18-LD20,LD57-LD68}	
8	1.0000	PC		E12-67630-00595	LED;5mm ROUND;RD	[POA0L:01: {1.0}]{LD36}	

Metal Part

	Quantity	Unit	S.Sku	M.Sku	Description	Reference Designators	Notes
1	1.0000	PC	Q62-00000-51601	A62-00000-51601	METAL;POA0L;SECC 1.0mm;CASE;STAMPING;GLOSS SEMI;SPRAY METALLIC;DARK GRAY;BOTTOM CABINET;REV:G		
2	1.0000	PC		A62-02000-23975	METAL;POWER BRACKET;UB2222FX-PRO;DWG.NO:23975;(R20-UB2222FX-POWER_BRACKET-REVE.DWG)		
3	1.0000	PC		A62-02000-27452	METAL;POWER BRACKET COVER;UBSPSU;DWG.NO:27452;(R20-UB-POWER_BRACKET_COVER-REVB.DWG)		
4	2.0000	PC	Q65-00000-24959	A65-00000-24959	METAL;P0274;SPCC 0.8mm;MOUNT;BENDING + PUNCHING;PLATING TIN;MOUNTING HELP;I00053P;REV:B	[USBIO2CH:00: {2.0}]{X1-X2}	
5	2.0000	PC	Q65-00100-07273	A65-00100-07273	MET-RACKMOUN/XENYX2222FX		
6	1.0000	PC	Q65-23000-24593	A65-23000-24593	METAL CLIP;DSP2000;DWG.NO:24593;(R14-DSP2000-CLIP-REV.C.DWG)		
7	1.0000	PC	Z02-00000-33762	J02-00000-33762	METAL;POA0L;SECC 0.8mm;TOP CABINET;DARK GRAY METALLIC;A007		

Plastic Part

	Quantity	Unit	S.Sku	M.Sku	Description	Reference Designators	Notes
1	4.0000	PC	W51-01200-01762	G51-01200-01762	RUBBER FOOT;STANDARD;SELF-ADHESIVE;COLOR:BLK;DWG.NO:01762		
2	1.0000	PC	W52-00200-10210	G52-00200-10210	ENCODER KNOB;BLACK;DST.NO:002;DPT.NO:10210;(PMX-ENCODERKNOB-REVB.DWG)		
3	12.0000	PC	W52-00200-11002	G52-00200-11002	KNOB;POT;(10);430C;CAP:BLACK;DST.NO:002;DPT.NO:11002;(PMX-POTKNOB(10)IN]-REVB.DWG)		
4	1.0000	PC	W52-00200-00258	G52-00200-11003	KNOB;POT;(10);430C;CAP:WHITE;DST.NO:002;DPT.NO:11003;(PMX-POTKNOB(10)IN]-REVB.DWG)		
5	12.0000	PC	W52-10509-30924	G52-00200-11096	KNOB;FADER;SMALL;BLACK;WHITE LINE;DWG.NO:30924;(FADER-KNOB-SMALL-01-REVB.DWG)		
6	2.0000	PC	W52-00100-00251	G52-00200-11108	KNOB;FADER;SMALL;430C;WHITE LINE;DST.NO:001;DPT.NO:11108;:(FADER-KNOB-SMALL-01-REVB.DWG)		
7	2.0000	PC	W52-00200-12087	G52-00200-12087	KNOB;FADER;SMALL;432C;WHITE LINE;DST.NO:2;DPT.NO:12087;(FADER-KNOB-SMALL-01-REVB.DWG)		
8	8.0000	PC	W52-00200-12256	G52-00200-12256	KNOB;POTENTIOMETER;(10);430C;CAP:288C;DST.NO:002;DPT.NO:12256;(PMX-POTKNOB(10)IN-REVB.DWG)		
9	30.0000	PC	W52-00200-12257	G52-00200-12257	KNOB;POTENTIOMETER;(10);430C;CAP:194C;DST.NO:002;DPT.NO:12257;(PMX-POTKNOB(10)IN-REVB.DWG)		
10	40.0000	PC	W52-00200-12258	G52-00200-12258	KNOB;POTENTIOMETER;(10);430C;CAP:289C;DST.NO:002;DPT.NO:12258;(PMX-POTKNOB(10)IN-REVB.DWG)		
11	14.0000	PC	W52-00200-12259	G52-00200-12259	KNOB;POTENTIOMETER;(10);430C;CAP:151U;DST.NO:002;DPT.NO:12259;(PMX-POTKNOB(10)IN-REVB.DWG)		
12	12.0000	PC	W52-00200-12269	G52-00200-12269	PLASTIC;SWITCH KNOB;I00341P;PANTONE 430C;DST.NO:002;DPT.NO:12269;(I00341P-SWITCH_KNOB-REVB.DWG)		
13	8.0000	PC	W52-00200-15614	G52-00200-15614	KNOB;POTENTIOMETER;(10);430C;CAP:3025C;DST.NO:002;DPT.NO:15614;(PMX-POTKNOB(10)IN-REVB.DWG)		
14	8.0000	PC	W52-00300-02453	G52-00300-02453	KNOB;PMX-SERIES;GAIN POTENTIOMETER;DST.NO:003;DPT.NO:02453;(PMX-GAINKNOB-REVC.DWG)		
15	55.0000	PC	W52-00500-09353	G52-00500-09353	KNOB;SWITCH;UB-S;DST.NO:005;DPT.NO:09353;(UB-S_SWKNOB-REVE.DWG)		
16	5.0000	PC	W52-00500-11000	G52-00500-11000	KNOB;SWITCH;UB-S;430C;DST.NO:005;DPT.NO:11000;(UB-S_SWKNOB-REVE.DWG)		
17	2.0000	PC	W52-00500-12260	G52-00500-12260	KNOB;SWITCH;UB-S;194C;DST.NO:005;DPT.NO:12260;(R20-UB-S_SWKNOB-REVE.DWG)		
18	12.0000	PC	W52-80508-23627	G52-80508-23627	KNOB;SWITCH;UB-L;7mm4;BLACK;DWG.NO:23627(R20-UB-L_SWKNOB-REVB.DWG)		
19	60.0000	PC	W53-00200-11127	G53-00200-11127	PLASTIC;SPACER;MOULDING;BLACK;LENGTH:11MM;DST.NO:002;DPT.NO:11127;(R20-ACCESSORY-LEDSPACER-REVB.DWG)		
20	12.0000	PC	W53-14000-01976	G53-14000-01976	PLASTIC;SPACER;ABS;BLACK;LENGTH:14MM2;(SWITCHSPACER14_2MM.DWG)		
21	1.0000	PC	W56-00000-46268	G56-00000-46268	PLASTIC;P0A0L;ABS;SIDE;MOULDING;GLOSS HIGH;PAINTING NORMAL;SILVER METALLIC;SIDE PANEL;RIGHT;SILVER;PAINT NORMAL		
22	1.0000	PC	W56-00000-46269	G56-00000-46269	PLASTIC;P0A0L;ABS;SIDE;MOULDING;GLOSS HIGH;PAINTING NORMAL;SILVER METALLIC;SIDE PANEL;LEFT;SILVER;PAINT NORMAL		
23	1.0000	PC		G58-00100-08381	PLASTIC;SHEET;P0554;PET;BLACK;DST.NO:001;DPT.NO:8381;(XENYX 124FX-PET-SHEET-REVA.DWG)		
24	1.0000	PC		G58-00100-14849	PLASTIC HOLDER;7 SEGMENT;XENYX FX-SERIES;DST.NO:001;DPT.NO:14849;(I00513P-7 SEGMENT_HOLDER-REVA.DWG)		
25	1.0000	PC	W58-00200-11129	G58-00200-11129	PLASTIC;LED SPACER;MOULDING;BLACK;NO:8LENGTH:9MM;DST.NO:002;DPT.NO:11129;(LED-SPACER9MM.REVB.DWG)		

	Quantity	Unit	S.Sku	M.Sku	Description	Reference Designators	Notes
26	1.0000	PC	Y64-00000-32653	I64-00000-32653	PLASTIC;P0559;PMMMA;TRANSPARENT;LED WINDOW;XENYX FX;DPM5;A003		

Plug Socket

	Quantity	Unit	S.Sku	M.Sku	Description	Reference Designators	Notes
1	1.0000	PC		G61-65226-03294	BOX HEADER;POLES:26;2 ROW;STRAIGHT;PITCH:2mm54;SCM-26S	[POA0L:01:{1.0}(X69)]	
2	1.0000	PC		G61-75226-05290	CABLE HEADER;POLES:26;2 ROW;IDE;STRAIGHT;PITCH:2mm54;FC-26P		
3	1.0000	PC		G61-85226-08163	TRANSITION PLUG;FLAT CABLE;POLES:26;ROWS:2;STRAIGHT;PITCH:2mm54;BLACK;FD-26P		
4	41.0000	PC	W64-01211-03174	G64-01211-03174	PLUG;JACK STEREO 6mm3;STRAIGHT SOLDER;W/O MET.RNG.;MET.BUSH.;NO NUT/WASHER;(JY-6351G-02-250)	[POA0L:02:{27.0}(X17-X21,X31-X52)]	
5	1.0000	PC	W64-16212-00005	G64-16212-00005	PLUG;PCB;PLUG;JACK STEREO 6mm3;STRAIGHTPCB LUGS;NO NUT/WASHER;METAL BUSHING;(CHUNSHENG PJ-632HA)	[POA0L:02:{1.0}(X53)]	
6	0.0000	PC	W67-20103-01824	G67-20103-01824	PLUG;AC SOCK;W FUSE;SNAP-IN;COLOR:BLK;POLES:03;(RONG-FENG RF-2004)		
7	1.0000	PC		G67-40103-01810	SOCKET;AC;SCREW MOUNT;FUSED;UL94V-0;10A/250VAC;FOR AMP CONN;COLOR:BLK;POLES:03;(JACKSON JR-101-1FS)		
8	1.0000	PC	W68-04004-03284	G68-04004-03284	PLUG;RCA;SOCKET;RCAJACK4P/S;FEMALE;POLES:04;STRAIGHT	[POA0L:02:{1.0}(X30)]	
9	1.0000	PC		G71-00000-03961	WAFER;V1000-14B;0.35um;LOGIC-3.3V(1P4M)		
10	1.0000	PC		G71-15224-24042	PIN HEADER;POLES:24;STRAIGHT;PITCH:2.54 mm;2 ROWS;1002-24-S	[DPM6V:00:{1.0}(X11)]	
11	2.0000	PC	W71-23102-04756	G71-23102-04756	WAFER;POLES:2;STRAIGHT;PITCH:2 mm;1 ROW;TYPE:A2006WV-2P	[SMPSU22:00:{2.0}(X2,X4)]	
12	1.0000	PC	W71-23106-04965	G71-23106-04965	WAFER;POLES:6;STRAIGHT;PITCH:2 mm;1 ROW;TYPE:A2006WV-6P	[POA0L:01:{1.0}(X67)]	
13	2.0000	PC	W71-23107-04746	G71-23107-04746	WAFER;POLES:7;STRAIGHT;PITCH:2 mm;1 ROW;TYPE:A2006WV-7P	[POA0L:01:{2.0}(X62-X63)]	
14	1.0000	PC	W71-23108-04747	G71-23108-04747	WAFER;POLES:8;STRAIGHT;PITCH:2 mm;1 ROW;TYPE:A2006WV-8P	[POA0L:01:{1.0}(X66)]	
15	1.0000	PC	W71-23109-04748	G71-23109-04748	WAFER;POLES:9;STRAIGHT;PITCH:2 mm;1 ROW;TYPE:A2006WV-9P	[POA0L:01:{1.0}(X68)]	
16	1.0000	PC	W71-23110-04749	G71-23110-04749	WAFER;POLES:10;STRAIGHT;PITCH:2 mm;1 ROW;TYPE:A2006WV-10P	[POA0L:01:{1.0}(X71)]	
17	2.0000	PC	W71-23112-04751	G71-23112-04751	WAFER;POLES:12;STRAIGHT;PITCH:2 mm;1 ROW;TYPE:A2006WV-12P	[POA0L:01:{2.0}(X64-X65)]	
18	1.0000	PC	W71-35224-03073	G71-35224-03073	PLUG;PCB;PLUG;PCB SOCKET;POLES:24;2 ROWS;STRAIGHT;PITCH:2mm54;2801-24GS	[POA0L:01:{1.0}(X54)]	
19	1.0000	PC	W71-43102-05994	G71-43102-05994	PLUG;HOUSING;POLES:2;ROWS:1;STRAIGHT;PITCH:2mm;TYP:A2008		
20	1.0000	PC	W71-43106-05998	G71-43106-05998	PLUG;HOUSING;POLES:6;ROWS:1;STRAIGHT;PITCH:2mm;TYP:A2008		
21	2.0000	PC	W71-43107-05999	G71-43107-05999	PLUG;HOUSING;POLES:7;ROWS:1;STRAIGHT;PITCH:2mm;TYP:A2008		
22	1.0000	PC	W71-43108-06000	G71-43108-06000	PLUG;HOUSING;POLES:8;ROWS:1;STRAIGHT;PITCH:2mm;TYP:A2008		
23	1.0000	PC	W71-43109-06001	G71-43109-06001	PLUG;HOUSING;POLES:9;ROWS:1;STRAIGHT;PITCH:2mm;TYP:A2008		
24	1.0000	PC	W71-43110-06002	G71-43110-06002	PLUG;HOUSING;POLES:10;ROWS:1;STRAIGHT;PITCH:2mm;TYP:A2008		
25	2.0000	PC	W71-43112-06004	G71-43112-06004	PLUG;HOUSING;POLES:12;ROWS:1;STRAIGHT;PITCH:2mm;TYP:A2008		
26	71.0000	PC	W71-80000-05663	G71-80000-05663	BD.-IN-CONN;TERMINAL;SAN-002T-0.8A		
27	1.0000	PC	W71-83106-05650	G71-83106-05650	BOARD-IN-CONNECTOR;POLES:6;ROWS:1;STRAIGHT;PITCH:2 mm		
28	2.0000	PC	W71-83107-05651	G71-83107-05651	BOARD-IN-CONNECTOR;POLES:7;ROWS:1;STRAIGHT;PITCH:2 mm		
29	1.0000	PC	W71-83108-05652	G71-83108-05652	BOARD-IN-CONNECTOR;POLES:8;ROWS:1;STRAIGHT;PITCH:2 mm		
30	1.0000	PC	W71-83109-05817	G71-83109-05817	BOARD-IN-CONNECTOR;POLES:9;ROWS:1;STRAIGHT;PITCH:2 mm		
31	1.0000	PC	W71-83110-05654	G71-83110-05654	BOARD-IN-CONNECTOR;POLES:10;ROWS:1;STRAIGHT;PITCH:2 mm		
32	2.0000	PC	W71-83112-05657	G71-83112-05657	BOARD-IN-CONNECTOR;POLES:12;ROWS:1;STRAIGHT;PITCH:2 mm		

Power Supply

	Quantity	Unit	S.Sku	M.Sku	Description	Reference Designators	Notes
1	1.0000	PC	Z63-09390-24046	J63-09390-24046	TRANSFORMER;SPSU;40 WATT;UB-SERIES;DWG:24046		
2	1.0000	PC		J69-00000-52510	TRAF0;SWITCH MODE;P0AL3;UNIVERSAL 100 TO 240;COMMON;590uH;DA XIN PN:KB1332-15304		
3	1.0000	PC		J69-00000-52512	TRAF0;SWITCH MODE;P0AL3;UNIVERSAL 100 TO 240;COMMON;590uH;SUPERWORLD PN:R17-19-01214		

Quarz

	Quantity	Unit	S.Sku	M.Sku	Description	Reference Designators	Notes
1	1.0000	PC	X65-40471-00000	H65-40471-00000	QUARZ;RESONATOR;10MHz;HC49/S;FUNDAMENTAL	[DPM6V:00: {1.0}{Q1}]	
2	1.0000	PC	X65-40471-20000	H65-40471-20000	QUARZ;RESONATOR;12MHz;HC49/4H FUNDAMENTAL	[USBIO2CH:00: {1.0}{Q1}]	

Resistor

	Quantity	Unit	S.Sku	M.Sku	Description	Reference Designators	Notes
1	8.0000	PC			RESISTOR;CARBON;130Kohm;5%;0W063;SMD603	[POA0L:02: {8.0}(R193,R196,R199,R202,R205,R208,R211,R214)]	*NOT available in DP
2	16.0000	PC			RESISTOR;CARBON;3ohm9;5%;0W063;SMD603	[POA0L:02: {16.0}(R135-R150)]	*NOT available in DP
3	8.0000	PC			RESISTOR;CARBON;4ohm7;5%;0W063;SMD603	[POA0L:02: {8.0}(R216,R218,R220,R222,R224,R226,R228,R230)]	*NOT available in DP
4	2.0000	PC			RESISTOR;CARBON;22ohm;5%;0W063;SMD603	[USBIO2CH:00: {2.0}(R18-R19)]	*NOT available in DP
5	1.0000	PC			RESISTOR;CARBON;100ohm;5%;0W063;SMD603	[POA0L:01: {1.0}(R744)]	*NOT available in DP
6	1.0000	PC			RESISTOR;CARBON;120ohm;5%;0W063;SMD603	[POA0L:01: {1.0}(R740)]	*NOT available in DP
7	8.0000	PC			RESISTOR;CARBON;200ohm;5%;0W063;SMD603	[POA0L:01: {8.0}(R305-R308,R343-R346)]	*NOT available in DP
8	2.0000	PC			RESISTOR;CARBON;330ohm;5%;0W063;SMD603	[POA0L:01: {2.0}(R729,R736)]	*NOT available in DP
9	2.0000	PC			RESISTOR;CARBON;360ohm;5%;0W063;SMD603	[POA0L:02: {2.0}(R131,R153)]	*NOT available in DP
10	6.0000	PC			RESISTOR;CARBON;470ohm;5%;0W063;SMD603	[USBIO2CH:00: {3.0}(R4-R6)]	*NOT available in DP
11	3.0000	PC			RESISTOR;CARBON;510ohm;5%;0W063;SMD603	[POA0L:01: {3.0}(R727,R995-R996)]	*NOT available in DP
12	1.0000	PC			RESISTOR;CARBON;620ohm;5%;0W063;SMD603	[POA0L:01: {1.0}(R730)]	*NOT available in DP
13	16.0000	PC			RESISTOR;CARBON;680ohm;5%;0W063;SMD603	[POA0L:01: {16.0}(R458-R473)]	*NOT available in DP
14	16.0000	PC			RESISTOR;CARBON;820ohm;5%;0W063;SMD603	[POA0L:01: {16.0}(R312-R313,R315-R316,R318-R319,R321-R322,R324-R325,R327-R328,R330-R331,R333-R334)]	*NOT available in DP
15	19.0000	PC			RESISTOR;CARBON;1Kohm;5%;0W063;SMD603	[POA0L:01: {17.0}(R271,R304,R309,R347,R608,R858,R860,R862,R864,R866,R868,R870,R872,R874-R877)]	*NOT available in DP
16	2.0000	PC			RESISTOR;CARBON;1Kohm2;5%;0W063;SMD603	[POA0L:02: {2.0}(R132,R154)]	*NOT available in DP
17	1.0000	PC			RESISTOR;CARBON;1Kohm3;5%;0W063;SMD603	[POA0L:01: {1.0}(R728)]	*NOT available in DP
18	33.0000	PC			RESISTOR;CARBON;1Kohm5;5%;0W063;SMD603	[USBIO2CH:00: {1.0}(R1)]	*NOT available in DP
19	1.0000	PC			RESISTOR;CARBON;1Kohm8;5%;0W063;SMD603	[POA0L:01: {1.0}(R400)]	*NOT available in DP
20	23.0000	PC			RESISTOR;CARBON;2Kohm;5%;0W063;SMD603	[POA0L:01: {23.0}(R414-R415,R442-R443,R445-R446,R448-R449,R451-R452,R474-R475,R477-R478,R480-R481,R483-R484,R486-R487,R569-R570,R702)]	*NOT available in DP
21	2.0000	PC			RESISTOR;CARBON;2Kohm2;5%;0W063;SMD603	[POA0L:02: {2.0}(R133,R155)]	*NOT available in DP
22	8.0000	PC			RESISTOR;CARBON;2Kohm7;5%;0W063;SMD603	[POA0L:02: {8.0}(R248-R255)]	*NOT available in DP
23	1.0000	PC			RESISTOR;CARBON;3Kohm3;5%;0W063;SMD603	[POA0L:01: {1.0}(R391)]	*NOT available in DP
24	4.0000	PC			RESISTOR;CARBON;3Kohm6;5%;0W063;SMD603	[POA0L:01: {2.0}(R992-R993)]	*NOT available in DP
25	34.0000	PC			RESISTOR;CARBON;3Kohm9;5%;0W063;SMD603	[POA0L:01: {34.0}(R850,R883-R884,R890-R891,R897-R898,R904-R905,R909-R910,R914-R915,R919-R920,R924-R925,R934,R938,R940,R945,R947,R952,R954,R959,R961,R964,R966,R969,R971,R974,R976,R979,R981)]	*NOT available in DP
26	9.0000	PC			RESISTOR;CARBON;4Kohm7;5%;0W063;SMD603	[DPM6V:00: {1.0}(R4)]	*NOT available in DP
27	63.0000	PC			RESISTOR;CARBON;5Kohm1;5%;0W063;SMD603	[POA0L:01: {63.0}(R524-R525,R528-R529,R532-R533,R536-R537,R540-R541,R544-R545,R548-R549,R552-R553,R581,R584,R587,R590,R593,R596,R599,R602,R615-R622,R662-R669,R695-R696,R703-R710,R747,R749,R751,R753,R755,R757,R759,R761,R823,R985-R988)]	*NOT available in DP
28	4.0000	PC			RESISTOR;CARBON;5Kohm6;5%;0W063;SMD603	[POA0L:01: {4.0}(R434,R490,R607,R689)]	*NOT available in DP
29	72.0000	PC			RESISTOR;CARBON;6Kohm8;5%;0W063;SMD603	[POA0L:01: {72.0}(R372,R375,R378,R381,R384,R387,R390,R395,R437-R438,R493-R494,R506-R507,R509-R510,R512-R513,R515-R516,R557-R558,R560-R561,R563-R564,R566-R567,R579-R580,R738-R739,R742-R743,R785,R788,R791,R794,R797,R800,R803,R806,R809,R812,R815,R818,R820-R821,R936-R937,R941-R944,R948-R951,R955-R958,R962-R963,R967-R968,R972-R973,R977-R978,R982-R983)]	*NOT available in DP
30	4.0000	PC			RESISTOR;CARBON;7Kohm5;5%;0W063;SMD603	[POA0L:01: {4.0}(R636,R638-R640)]	*NOT available in DP

	Quantity	Unit	S.Sku	M.Sku	Description	Reference Designators	Notes
31	9.0000	PC			RESISTOR;CARBON;8Kohm2;5%;0W063;SMD603	[POA0L:01: {9.0}(R582,R585,R588,R591,R594,R597,R600,R603,R677)]	*NOT available in DP
32	115.0000	PC			RESISTOR;CARBON;10Kohm;5%;0W063;SMD603	[USBIO2CH:00: {2.0}(R12-R13)]	*NOT available in DP
33	30.0000	PC			RESISTOR;CARBON;12Kohm;5%;0W063;SMD603	[POA0L:01: {30.0}(R358,R361,R364,R367,R404,R407,R410,R413,R416-R431,R671-R672,R674-R675,R693-R694)]	*NOT available in DP
34	52.0000	PC			RESISTOR;CARBON;15Kohm;5%;0W063;SMD603	[POA0L:01: {44.0}(R611-R612,R631-R632,R641-R649,R670,R680,R692,R878-R881,R885-R888,R892-R895,R899-R902,R906-R907,R911-R912,R916-R917,R921-R922,R926-R927,R930,R932)]	*NOT available in DP
35	2.0000	PC			RESISTOR;CARBON;18Kohm;5%;0W063;SMD603	[POA0L:01: {2.0}(R931,R933)]	*NOT available in DP
36	27.0000	PC			RESISTOR;CARBON;20Kohm;5%;0W063;SMD603	[POA0L:01: {9.0}(R633-R635,R637,R650-R651,R732-R733,R822)]	*NOT available in DP
37	16.0000	PC			RESISTOR;CARBON;22Kohm;5%;0W063;SMD603	[POA0L:01: {16.0}(R281,R284,R287,R290,R293,R296,R299,R302,R441,R444,R447,R450,R476,R479,R482,R485)]	*NOT available in DP
38	52.0000	PC			RESISTOR;CARBON;27Kohm;5%;0W063;SMD603	[POA0L:01: {52.0}(R311,R314,R317,R320,R323,R326,R329,R332,R350-R357,R453-R455,R457,R517-R519,R521,R554,R556,R613-R614,R825-R848)]	*NOT available in DP
39	6.0000	PC			RESISTOR;CARBON;30Kohm;5%;0W063;SMD603	[POA0L:01: {6.0}(R435-R436,R491-R492,R609-R610)]	*NOT available in DP
40	10.0000	PC			RESISTOR;CARBON;36Kohm;5%;0W063;SMD603	[POA0L:01: {10.0}(R432-R433,R488-R489,R605-R606,R678-R679,R734-R735)]	*NOT available in DP
41	55.0000	PC			RESISTOR;CARBON;47Kohm;5%;0W063;SMD603	[POA0L:01: {55.0}(R396,R505,R508,R511,R514,R559,R562,R565,R568,R652-R659,R697,R700,R746,R748,R750,R752,R754,R756,R758,R760,R762,R764,R766,R768,R783-R784,R786-R787,R789-R790,R792-R793,R795-R796,R798-R799,R801-R802,R804-R805,R807-R808,R810-R811,R813-R814,R816-R817)]	*NOT available in DP
42	8.0000	PC			RESISTOR;CARBON;56Kohm;5%;0W063;SMD603	[POA0L:01: {8.0}(R282,R285,R288,R291,R294,R297,R300,R303)]	*NOT available in DP
43	4.0000	PC			RESISTOR;CARBON;62Kohm;5%;0W063;SMD603	[POA0L:01: {4.0}(R661,R673,R676,R690)]	*NOT available in DP
44	8.0000	PC			RESISTOR;CARBON;75Kohm;5%;0W063;SMD603	[POA0L:01: {8.0}(R370,R373,R376,R379,R382,R385,R388,R393)]	*NOT available in DP
45	15.0000	PC			RESISTOR;CARBON;100Kohm;5%;0W063;SMD603	[POA0L:01: {15.0}(R280,R283,R286,R289,R292,R295,R298,R301,R392,R698-R699,R701,R853,R984,R989)]	*NOT available in DP
46	1.0000	PC			RESISTOR;CARBON;200Kohm;5%;0W063;SMD603	[POA0L:01: {1.0}(R854)]	*NOT available in DP
47	24.0000	PC			RESISTOR;CARBON;220Kohm;5%;0W063;SMD603	[POA0L:01: {24.0}(R262-R269,R272-R279,R371,R374,R377,R380,R383,R386,R389,R394)]	*NOT available in DP
48	26.0000	PC			RESISTOR;CARBON;1Mohm;5%;0W063;SMD603	[USBIO2CH:00: {1.0}(R14)]	*NOT available in DP
49	1.0000	PC			RESISTOR;METAL;200ohm;1%;0W063;SMD603	[USBIO2CH:00: {1.0}(R17)]	*NOT available in DP
50	1.0000	PC			RESISTOR;METAL;390ohm;1%;0W063;SMD603	[USBIO2CH:00: {1.0}(R11)]	*NOT available in DP
51	16.0000	PC			RESISTOR;METAL;1Kohm3;1%;0W063;SMD603	[POA0L:02: {16.0}(R114-R129)]	*NOT available in DP
52	2.0000	PC			RESISTOR;METAL;5Kohm6;1%;0W063;SMD603	[USBIO2CH:00: {2.0}(R7-R8)]	*NOT available in DP
53	4.0000	PC			RESISTOR;METAL;10Kohm;1%;0W063;SMD603	[USBIO2CH:00: {4.0}(R9-R10,R15-R16)]	*NOT available in DP
54	2.0000	PC			RESISTOR;METAL;41Kohm2;1%;0W063;SMD603	[USBIO2CH:00: {2.0}(R2-R3)]	*NOT available in DP
55	1.0000	PC			RESISTOR;CARBON;0ohm;5%;0W1;SMD805	[DPM6V:00: {1.0}(R1)]	*NOT available in DP
56	1.0000	PC			RESISTOR;CARBON;2ohm2;5%;0W1;SMD805	[DPM6V:00: {1.0}(R12)]	*NOT available in DP
57	1.0000	PC			RESISTOR;CARBON;5ohm1;5%;0W1;SMD805	[DPM6V:00: {1.0}(R7)]	*NOT available in DP
58	1.0000	PC			RESISTOR;CARBON;6ohm8;5%;0W1;SMD805	[SMPSU22:00: {1.0}(R17)]	*NOT available in DP
59	2.0000	PC			RESISTOR;CARBON;22ohm;5%;0W1;SMD805	[POA0L:01: {2.0}(R928-R929)]	*NOT available in DP
60	4.0000	PC			RESISTOR;CARBON;47ohm;5%;0W1;SMD805	[POA0L:02: {4.0}(R245-R246,R258-R259)]	*NOT available in DP
61	3.0000	PC			RESISTOR;CARBON;100ohm;5%;0W1;SMD805	[DPM6V:00: {1.0}(R8)]	*NOT available in DP
62	28.0000	PC			RESISTOR;CARBON;120ohm;5%;0W1;SMD805	[SMPSU22:00: {2.0}(R9-R10)]	*NOT available in DP

	Quantity	Unit	S.Sku	M.Sku	Description	Reference Designators	Notes
63	2.0000	PC			RESISTOR;CARBON;150ohm;5%;0W1;SMD805	[DPM6V:00: {2.0}(R3,R5)]	*NOT available in DP
64	1.0000	PC			RESISTOR;CARBON;470ohm;5%;0W1;SMD805	[SMPSU22:00: {1.0}(R24)]	*NOT available in DP
65	1.0000	PC			RESISTOR;CARBON;510ohm;5%;0W1;SMD805	[POA0L:01: {1.0}(R819)]	*NOT available in DP
66	1.0000	PC			RESISTOR;CARBON;560ohm;5%;0W1;SMD805	[SMPSU22:00: {1.0}(R25)]	*NOT available in DP
67	1.0000	PC			RESISTOR;CARBON;820ohm;5%;0W1;SMD805	[SMPSU22:00: {1.0}(R23)]	*NOT available in DP
68	1.0000	PC			RESISTOR;CARBON;1Kohm;5%;0W1;SMD805	[DPM6V:00: {1.0}(R13)]	*NOT available in DP
69	12.0000	PC			RESISTOR;CARBON;1Kohm5;5%;0W1;SMD805	[POA0L:01: {12.0}(R771-R782)]	*NOT available in DP
70	4.0000	PC			RESISTOR;CARBON;2Kohm2;5%;0W1;SMD805	[SMPSU22:00: {4.0}(R7-R8,R14-R15)]	*NOT available in DP
71	1.0000	PC			RESISTOR;CARBON;3Kohm3;5%;0W1;SMD805	[SMPSU22:00: {1.0}(R19)]	*NOT available in DP
72	2.0000	PC			RESISTOR;CARBON;10Kohm;5%;0W1;SMD805	[SMPSU22:00: {1.0}(R6)]	*NOT available in DP
73	1.0000	PC			RESISTOR;CARBON;22Kohm;5%;0W1;SMD805	[SMPSU22:00: {1.0}(R22)]	*NOT available in DP
74	4.0000	PC			RESISTOR;CARBON;47Kohm;5%;0W1;SMD805	[SMPSU22:00: {3.0}(R20-R21,R26)]	*NOT available in DP
75	1.0000	PC			RESISTOR;CARBON;100Kohm;5%;0W1;SMD805	[DPM6V:00: {1.0}(R9)]	*NOT available in DP
76	3.0000	PC			RESISTOR;CARBON;680Kohm;5%;0W1;SMD805	[SMPSU22:00: {3.0}(R11-R13)]	*NOT available in DP
77	1.0000	PC			RESISTOR;METAL;2Kohm20;1%;0W1;SMD805	[DPM6V:00: {1.0}(R10)]	*NOT available in DP
78	2.0000	PC			RESISTOR;METAL;10Kohm;1%;0W1;SMD805	[SMPSU22:00: {1.0}(R18)]	*NOT available in DP
79	1.0000	PC			RESISTOR;METAL;56Kohm2;1%;0W1;SMD805	[SMPSU22:00: {1.0}(R16)]	*NOT available in DP
80	2.0000	PC			RESISTOR;ARRAY;120ohm;SMD1206;CAY16-121J4	[POA0L:02: {2.0}(R112-R113)]	*NOT available in DP
81	2.0000	PC			RESISTOR;ARRAY;510ohm;SMD1206;CAY16-511J4	[POA0L:02: {2.0}(R256-R257)]	*NOT available in DP
82	8.0000	PC			RESISTOR;ARRAY;METAL;2Kohm20;1%;SMD1206	[POA0L:02: {8.0}(R187-R190,R239-R242)]	*NOT available in DP
83	2.0000	PC			RESISTOR;ARRAY;5Kohm1;SMD1206;CAY16-512J4	[POA0L:02: {2.0}(R260-R261)]	*NOT available in DP
84	4.0000	PC			RESISTOR;ARRAY;6Kohm8;SMD1206;CAY16-682J4	[POA0L:01: {3.0}(R849,R856-R857)]	*NOT available in DP
85	7.0000	PC			RESISTOR;ARRAY;10Kohm;SMD1206;CAY16-103J4	[POA0L:01: {1.0}(R824)]	*NOT available in DP
86	1.0000	PC			RESISTOR;ARRAY;18Kohm;SMD1206;CAY16-183J4	[POA0L:01: {1.0}(R935)]	*NOT available in DP
87	3.0000	PC			RESISTOR;ARRAY;20Kohm;SMD1206;CAY16-203J4	[POA0L:01: {1.0}(R770)]	*NOT available in DP
88	1.0000	PC			RESISTOR;ARRAY;27Kohm;SMD1206;CAY16-273J4	[POA0L:01: {1.0}(R855)]	*NOT available in DP
89	1.0000	PC	Y04-00100-23978	I04-00100-23978	THERMISTOR;NTC;10ohm;3A	[SMPSU22:00: {1.0}(R1)]	
90	1.0000	PC			VARIATOR;10 %;470 V;10D471K	[SMPSU22:00: {1.0}(VT1)]	*NOT available in DP
91	1.0000	PC			RESISTOR;CARBON;10ohm;5%;0W25;LEAD WIRE;HORIZONTAL 26-6mm	[00000: {1.0}(R4)]	*NOT available in DP
92	2.0000	PC			RESISTOR;CARBON;27ohm;5%;0W25;LEAD WIRE;HORIZONTAL 26-6mm	[POA0L:01: {2.0}(R81-R82)]	*NOT available in DP
93	2.0000	PC			RESISTOR;METAL;10Kohm;1%;0W25;LEAD WIRE;HORIZONTAL 26-6mm	[POA0L:01: {2.0}(R83-R84)]	*NOT available in DP
94	16.0000	PC			RESISTOR;CARBON;510 ohm;0W25;5 %;CARB;HORIZONTAL 26-6mm	[POA0L:02: {16.0}(R57-R58,R60-R61,R63-R64,R66-R67,R69-R70,R72-R73,R75-R76,R78-R79)]	*NOT available in DP
95	16.0000	PC			RESISTOR;METAL;825 ohm;0W25;1 %;MET;HORIZONTAL 26-6mm	[POA0L:02: {16.0}(R1-R16)]	*NOT available in DP
96	16.0000	PC			RESISTOR;METAL;2.49 kohm;0W25;1 %;MET;HORIZONTAL 26-6mm	[POA0L:02: {16.0}(R19-R20,R23-R24,R27-R28,R31-R32,R35-R36,R39-R40,R43-R44,R47-R48)]	*NOT available in DP
97	16.0000	PC			RESISTOR;METAL;3.92 kohm;0W25;1 %;MET;HORIZONTAL 26-6mm	[POA0L:02: {16.0}(R49-R56,R59,R62,R65,R68,R71,R74,R77,R80)]	*NOT available in DP
98	16.0000	PC			RESISTOR;METAL;6.81 kohm;0W25;1 %;MET;HORIZONTAL 26-6mm	[POA0L:02: {16.0}(R17-R18,R21-R22,R25-R26,R29-R30,R33-R34,R37-R38,R41-R42,R45-R46)]	*NOT available in DP
99	1.0000	PC			RESISTOR;CARBON;220ohm;5%;0W5;LEAD WIRE;RADIAL	[SMPSU22:00: {1.0}(R5)]	*NOT available in DP
100	2.0000	PC			RESISTOR;CARBON;330ohm;5%;0W5;LEAD WIRE;RADIAL	[SMPSU22:00: {2.0}(R2-R3)]	*NOT available in DP

Fader

	Quantity	Unit	S.Sku	M.Sku	Description	Reference Designators	Notes
1	12.0000	PC		I00-73441-02013	FADER;60mm;10Kohm;TAPER:D;MONO;W/O CC;LEVER:4mm*15mm;W/ THREADS M2;(SOUNDWELL SA6005NGA1B-HA1-007)	[POA0L:01: {12.0}(VR122-VR129,VR134-VR137)]	
2	4.0000	PC	Y00-74451-02012	I00-74451-02012	FADER;60mm;10Kohm;TAPER:D;STEREO;W/O CC;LEVER LENGTH 15mm;(SOUNDWELL SA6005GOA0B-HA1-005)	[POA0L:01: {4.0}(VR130-VR133)]	
3	0.0000	PC	Y00-33441-05353	I00-93441-01786	FADER;60mm;10Kohm;TAPER:D;MONO;W/O CC;LEVER:4mm*15mm;W/ THREADS M2;(POLYSHINE F-6045G-N1 D10K L15C(M)(J))		

Potentiometer

	Quantity	Unit	S.Sku	M.Sku	Description	Reference Designators	Notes
1	8.0000	PC		I03-00000-03788	POTENTIOMETER;50 kohm;B;20 %;STEREO;NOBLE(XV012323YGPV30F1B50K/I) SHAFT 30MM	[POA0L:01: {8.0}(VR9-VR16)]	
2	8.0000	PC		I03-61241-06648	POTENTIOMETER;10Kohm;TAPER:1B;MONO;SHAFT:30MM;W/ CC;20-100gf;NORMAL TORQUE;(NOBLE XV09213YNPV30F1B10KCC)	[POA0L:01: {8.0}(VR29-VR36)]	
3	16.0000	PC		I03-61245-06649	POTENTIOMETER;50Kohm;TAPER:1B;MONO;SHAFT:30MM;W/ CC;20-100gf;NORMAL TORQUE;(NOBLE XV09213YNPV30F1B50KCC)	[POA0L:01: {16.0}(VR17-VR24,VR59-VR66)]	
4	41.0000	PC		I03-61245-06653	POTENTIOMETER;50Kohm;TAPER:3B;MONO;SHAFT:30MM;W/ CC;20-100gf;NORMAL TORQUE;(NOBLE XV09213YNPV30F3B50KCC)	[POA0L:01: {41.0}(VR41,VR43,VR56,VR58,VR71,VR73-VR96,VR98-VR109)]	
5	16.0000	PC		I03-62245-06643	POTENTIOMETER;50Kohm;TAPER:1B;STEREO;W/CC;20-100gf;NORMAL TORQUE;(NOBLE XV012313YGPV30F1B50KCC)	[POA0L:01: {16.0}(VR25-VR28,VR37-VR40,VR52-VR55,VR67-VR70)]	
6	3.0000	PC	Y03-62245-06645	I03-62245-06645	POTENTIOMETER;50Kohm;TAPER:3B;STEREO;SHAFT:30MM;W/CC;20-100gf;NORMAL TORQUE;(NOBLE XV012313YGPV30F3B50KCC)	[POA0L:01: {3.0}(VR42,VR57,VR72)]	
7	12.0000	PC		I03-62741-06642	POTENTIOMETER;10Kohm 10Kohm;TAPER:A/C;STEREO;SHAFT:30MM;W/ CC;20-100gf;NORMAL TORQUE;(NOBLE XV012313YGPV30F15AC10KCC)	[POA0L:01: {12.0}(VR110-VR121)]	
8	8.0000	PC	Y03-85335-01906	I03-63335-06650	POTENTIOMETER;5Kohm;TAPER:C05;MONO;SHAFT:30MM;W/O CC;20-100gf;NORMAL TORQUE;(NOBLE XV09213YNPV30F05C5K)	[POA0L:02: {8.0}(VR1-VR8)]	
9	1.0000	PC	Y03-34645-31441	I03-64245-06647	POTENTIOMETER;50Kohm;TAPER:3B;STEREO;SHAFT:30MM;W/O CC;20-100gf;NORMAL TORQUE;(NOBLE XV012313YGPV30F3B50K)	[POA0L:01: {1.0}(VR97)]	
10	8.0000	PC	Y03-64345-06646	I03-64345-06646	POTENTIOMETER;50Kohm;TAPER:10C;STEREO;SHAFT:30MM;W/O CC;20-100gf;NORMAL TORQUE;(NOBLE XV012313YGPV30F10C50K)	[POA0L:01: {8.0}(VR44-VR51)]	

Encoder

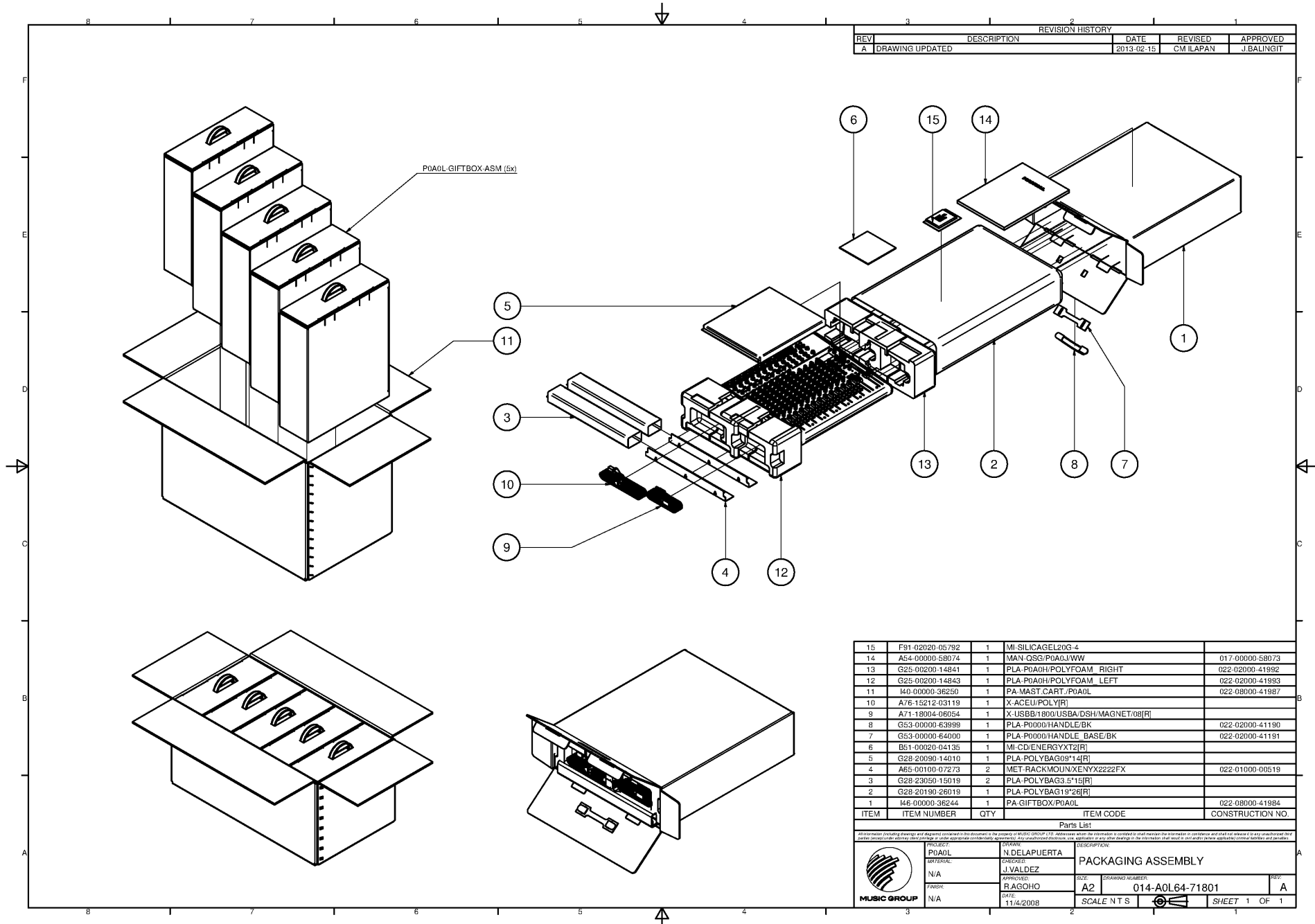
	Quantity	Unit	S.Sku	M.Sku	Description	Reference Designators	Notes
1	1.0000	PC	Y32-32430-24605	I32-92430-02704	ENCODER;12mm;DETENTS:24;PULSES:24;30mm;W/SWITCH;NO NUT;WASHER;(POLYSHINE F-12E55H24B-P+C L30FX12(O))	[POA0L:01: {1.0}(SW14)]	

Switch

	Quantity	Unit	S.Sku	M.Sku	Description	Reference Designators	Notes
1	67.0000	PC	Y77-03422-02778	I77-03422-02778	SWITCH;RADIAL;2P2T;PCB VERSION;LOCKING;NONSHORT;RAD2P	[P0A0L:01:{55.0}(SW15-SW19,SW21-SW38,SW40-SW47,SW64-SW87)]	
2	18.0000	PC	Y77-03442-02780	I77-03442-02780	SWITCH;RADIAL;4P2T;PCB VERSION;LOCKING;NONSHORT;RAD4P	[P0A0L:01:{18.0}(SW20,SW39,SW48-SW63)]	
3	1.0000	PC	Y77-03822-02779	I77-03822-02779	SWITCH;RADIAL;2P2T;PCB VERSION;NONLOCK;NONSHORT;RAD2P/NON	[P0A0L:01:{1.0}(SW13)]	
4	1.0000	PC	Y84-02211-00140	I84-02211-00140	SWITCH;ROCKER;1P1T;WHITE LINE MARKING RADIAL;LOCKING;NONSHORT;APPROVAL: UL94V0;(SOLTEAM MR22-FBBB-F2		
5	1.0000	PC		I84-02211-04984	SWITCH;ROCKER;POLES:1;TOGGLES:1;LOCKING;NONSHORT;SOLDER LUG;(CANAL:MR111-CVN-BBNW)		

Transistor

	Quantity	Unit	S.Sku	M.Sku	Description	Reference Designators	Notes
1	16.0000	PC			TRANSISTOR;TO92_TAPE;PITCH:2.54;3;2SA970GR-TR		*NOT available in DP
2	2.0000	PC			TRANSISTOR;BD239C;TO220	[SMPSU22:00:{1.0}(T3):{1.0}(T1)]	*NOT available in DP
3	1.0000	PC			TRANSISTOR;BD240C;TO220	[:{1.0}(T2)]	*NOT available in DP
4	16.0000	PC			TRANSISTOR;2SA970-GR;TAPING;P:2.54MM;TO92	[P0A0L:02:{16.0}(T1-T16)]	*NOT available in DP
5	16.0000	PC			TRANSISTOR;SOT;3;MBTA06;BRAND:NXP AND INFINEON	[P0A0L:02:{16.0}(T17-T32)]	*NOT available in DP
6	26.0000	PC			TRANSISTOR;BC846B;SOT;SMD	[SMPSU22:00:{2.0}(T4,T6)]	*NOT available in DP
7	1.0000	PC			TRANSISTOR;BC856B;SOT;SMD	[SMPSU22:00:{1.0}(T5)]	*NOT available in DP
8	14.0000	PC			TRANSISTOR;MBTA56;SOT	[P0A0L:01:{14.0}(T33-T37,T46-T52,T82-T83)]	*NOT available in DP
9	8.0000	PC			TRANSISTOR;2SK208;TO-236MOD;SMD	[P0A0L:01:{8.0}(T38-T45)]	*NOT available in DP
10	5.0000	PC			TRANSISTOR;SST112;SOT	[P0A0L:01:{5.0}(T53-T57)]	*NOT available in DP
11	0.0000	PC			TRANSISTOR;TIP32C;TO220		*NOT available in DP



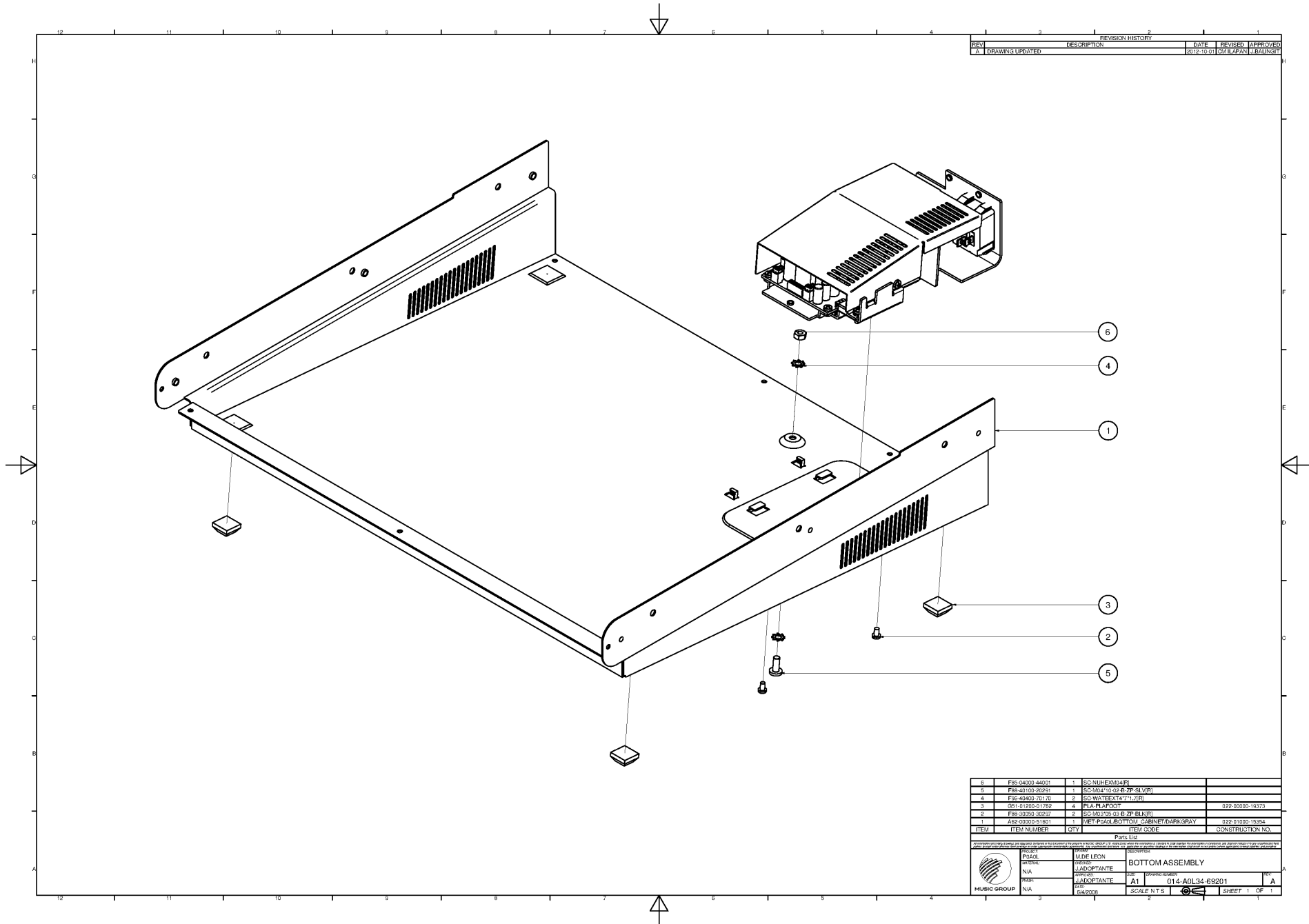
REV		REVISION HISTORY		
REV	DESCRIPTION	DATE	REVISED	APPROVED
A	DRAWING UPDATED	2013-02-15	CM ILAPAN	J.BALINGIT

ITEM	ITEM NUMBER	QTY	ITEM CODE	CONSTRUCTION NO.
15	F91-02020-05792	1	MI-SILICAGEL20G-4	
14	A54-00000-58074	1	MAN_QSG/P0A0J/WW	017-00000-58073
13	G25-00200-14841	1	PLA-P0A0H/POLYFOAM_RIGHT	022-02000-41892
12	G25-00200-14843	1	PLA-P0A0H/POLYFOAM_LEFT	022-02000-41893
11	I40-00000-36250	1	PA-MAST.CART./P0A0L	022-08000-41987
10	A76-15212-03119	1	X-ACEU/POLY[R]	
9	A71-18004-06054	1	X-USB/1800/USBA/DSH/MAGNET/08[R]	
8	G53-00000-63999	1	PLA-P0000/HANDLE/BK	022-02000-41190
7	G53-00000-64000	1	PLA-P0000/HANDLE_BASE/BK	022-02000-41191
6	B51-00020-04135	1	MI-CD/ENERGYXT2[R]	
5	G28-20090-14010	1	PLA-POLYBAG09*14[R]	
4	A65-00100-07273	2	MET-RACKMOUN/XENYX2222FX	022-01000-00519
3	G28-23050-15019	2	PLA-POLYBAG3.5*15[R]	
2	G28-20190-26019	1	PLA-POLYBAG19*26[R]	
1	I46-00000-36244	1	PA-GIFTBOX/P0A0L	022-08000-41984

Parts List

All information (including drawings and diagrams) contained in this document is the property of MUSIC GROUP LTD. Reference will be made to the information contained herein for the purpose of confirmation and shall not be used for any unauthorized use without the prior written consent of MUSIC GROUP LTD. Reproduction or translation of any part of this document is prohibited without the prior written consent of MUSIC GROUP LTD.

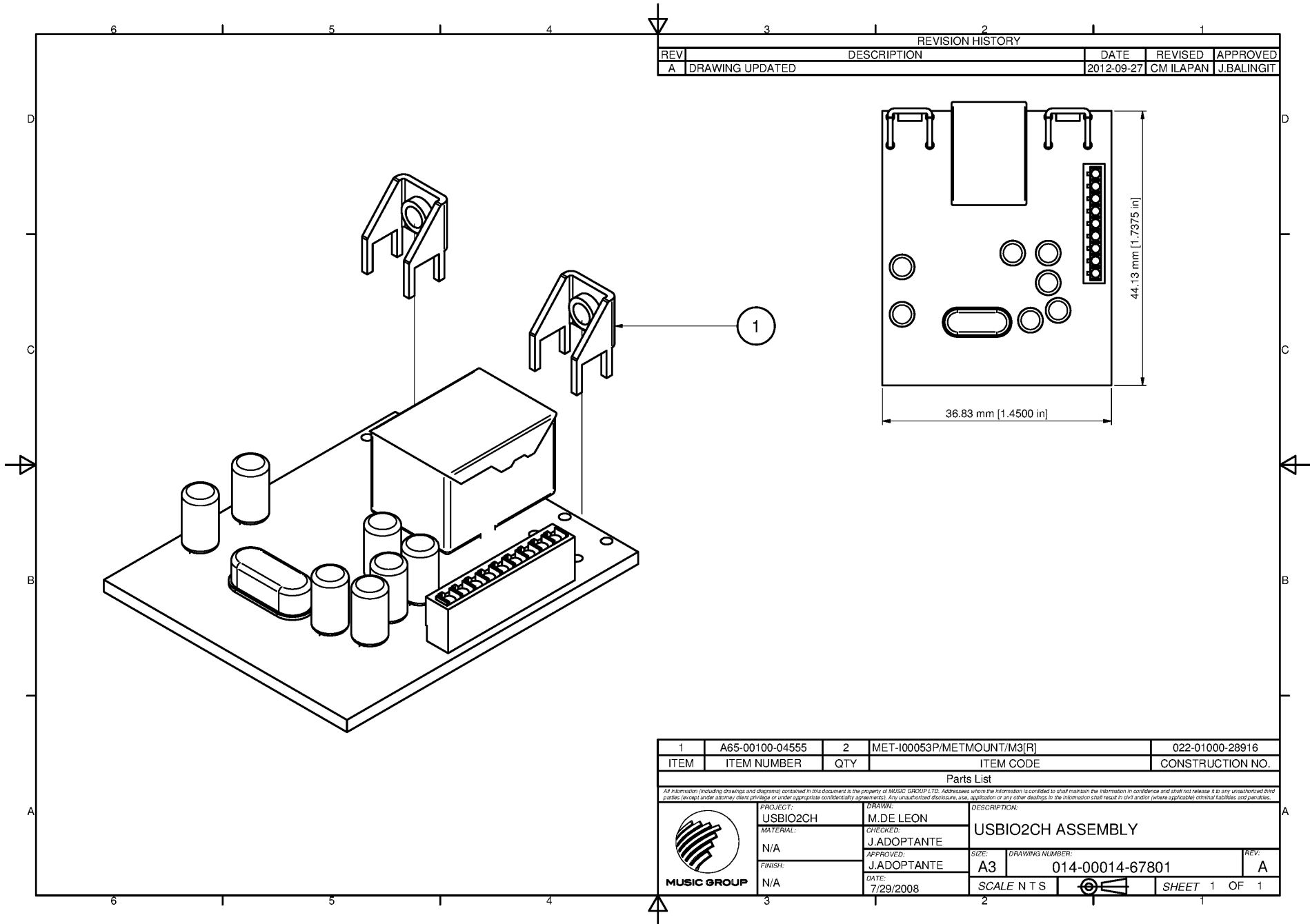
PROJECT: P0A0L	DRAWN: N.DELAPUERTA	DESCRIPTION: PACKAGING ASSEMBLY
CHECKED: J.VALDEZ	APPROVED: R.AGOHO	SIZE: A2
DATE: 11/4/2008	DRAWING NUMBER: 014-A0L64-71801	SHEET 1 OF 1



REVISION HISTORY			
REV	DESCRIPTION	DATE	REVISED BY / APPROVED BY
A	DRAWING UPDATED	2012-10-01	GM / JAPAN / MAB/NGR

ITEM	ITEM NUMBER	QTY	ITEM CODE	CONSTRUCTION NO.
6	PS-04700-44001	1	SC-MIHEX064(R)	
5	PS-42100-22291	1	SC-M04*10-02-B-2P-SLV(R)	
4	PS-42400-70170	2	SC-WATERK*4*7*1.7(R)	
3	SI-01200-01752	4	PLM-PLA303	022-00000-19373
2	PS-38200-33292	2	SC-M03*50-03-B-2P-BLK(R)	
1	AS-00000-51801	1	MET-PS04L BOTTOM CABINET/DARK GRAY	022-01000-19384

	PROJECT	PS04L	DESIGNER	M.DE LEON	REVISION	
	CLIENT	N/A	LABORANTE		DATE	01/4/2012
	MODEL	N/A	LABORANTE		SCALE	N.T.S.
	DATE	04/2008				
			BOTTOM ASSEMBLY		SHEET 1 OF 1	



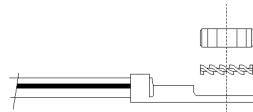
REVISION HISTORY				
REV	DESCRIPTION	DATE	REVISED	APPROVED
A	DRAWING UPDATED	2012-09-27	CM ILAPAN	J.BALINGIT

1	A65-00100-04555	2	MET-I00053P/METMOUNT/M3[R]	022-01000-28916
ITEM	ITEM NUMBER	QTY	ITEM CODE	CONSTRUCTION NO.
Parts List				
<small>All information (including drawings and diagrams) contained in this document is the property of MUSIC GROUP LTD. Addressees whom the information is confided to shall maintain the information in confidence and shall not release it to any unauthorized third parties (except) under attorney client privilege or under appropriate confidentiality agreements. Any unauthorized disclosure, use, application or any other dealings in the information shall result in civil and/or (where applicable) criminal liabilities and penalties.</small>				
	PROJECT:	USBIO2CH	DRAWN:	M.DE LEON
	MATERIAL:	N/A	CHECKED:	J.ADOPTANTE
	FINISH:	N/A	APPROVED:	J.ADOPTANTE
	DATE:	7/29/2008	SIZE:	A3
			DRAWING NUMBER:	014-00014-67801
		SCALE	N T S	REV: A
				SHEET 1 OF 1

△C

option: only for projects with PE-cable to PCB !

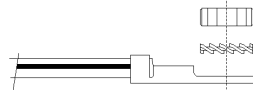
ASSEMBLED CABLE
(Yellow/Green) to PCB



HEX NUT SC-NUHEXM04
WASHER TEETH EXTERNAL SC-WATEEXT4×7×1.7
ASSEMBLED CABLE WITH LUG 4.3mm WI-00/07/xxxx/07/05/00/18/34/00

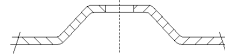
△B △C △D

ASSEMBLED CABLE
(Yellow/Green) to Power Conn.

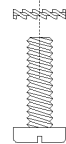


HEX NUT SC-NUHEXM04
WASHER TEETH EXTERNAL SC-WATEEXT4×7×1.7
ASSEMBLED CABLE WITH LUG 4.3mm WI-00/07/xxxx/07/05/00/18/34/00

△B △C △D



METAL CASE




WASHER TEETH EXTERNAL SC-WATEEXT4×7×1.7

△B △C △D

SCREW SC-M04×16-02-B-ZP-SLV
(standard length, can be variable if required)

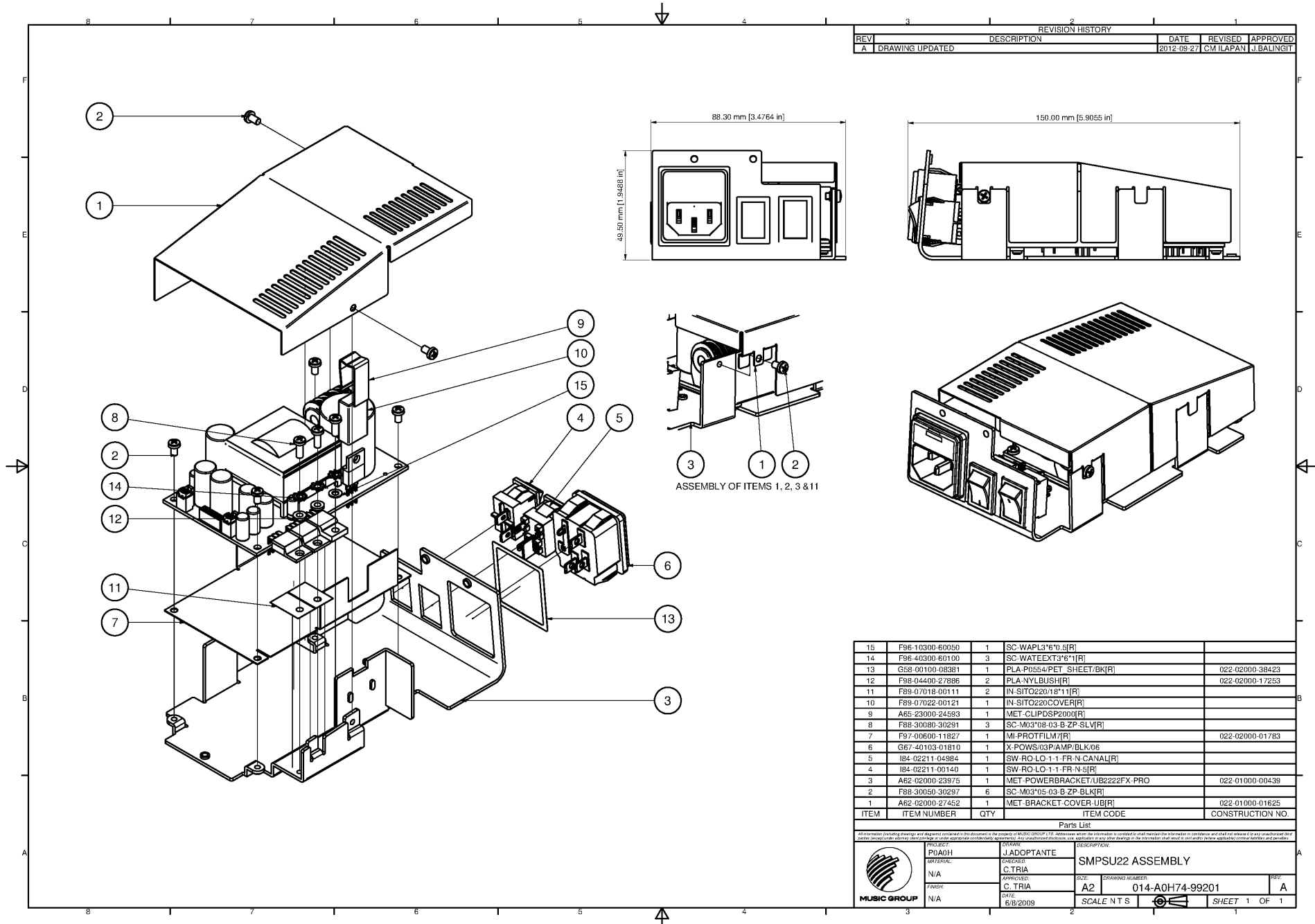
△B △C △D

Part: ASSEMBLE DRAWING		Name	Date	Project:
		Drawn	PEUSE	08.01.1996
		File	R14-ASSEMBLE-PE-SCREW-REVD.DWG	
Drawing-No.:	X	Part-No.:		
		Color of Part		
		Printing		
		Surface		
		Scale		
D	changed from M3 to M4	03.06.2003	SCHOMMER	
C	add optional block, delete P-IDs	11.03.2002	MERKEL	Material
B	adjust Part-IDs	11.04.2001	MERKEL	Units
A		08.01.1996	PEUSE	Behringer
Rev.	Modification	Date	Name	Part-ID:
				DRA-ASSEMBLE/PE-SCREW



Page	1
of	1

CAD-Drawing Copyright 2001 by BEHRINGER Spezielle Studioteknik GmbH Wittlich-Münchheide Germany



REVISION HISTORY				
REV	DESCRIPTION	DATE	REVISED	APPROVED
A	DRAWING UPDATED	2012-08-27	CM LAPAN	J.BALINGIT

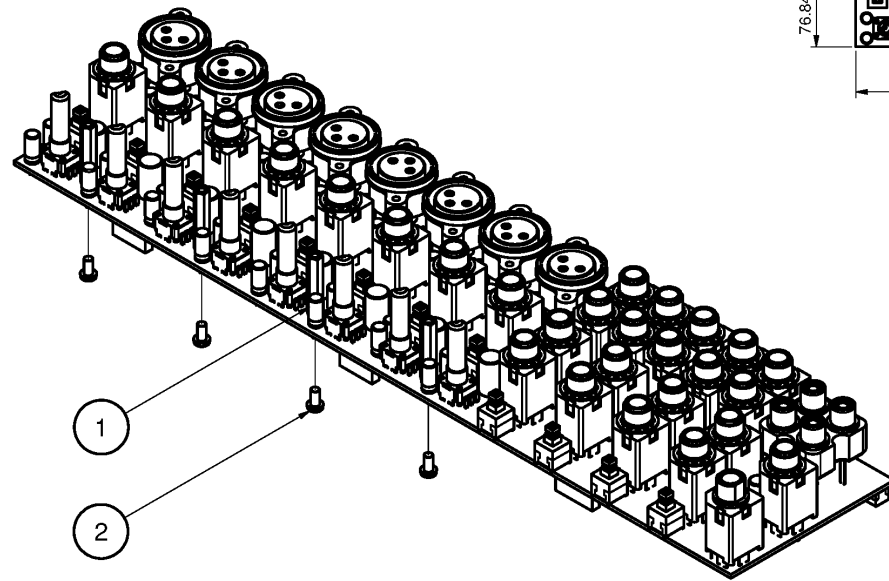
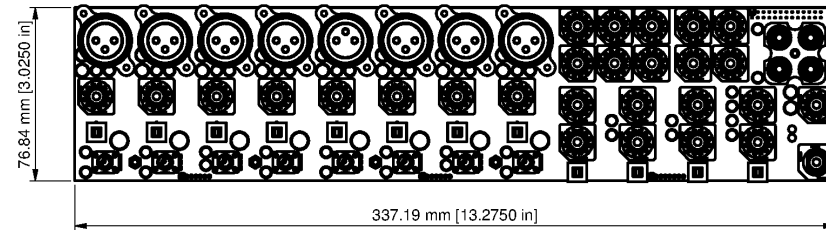
ITEM	ITEM NUMBER	QTY	DESCRIPTION	CONSTRUCTION NO.
15	F96-10300-60050	1	SC-WAPL3*6*0.5[R]	
14	F96-40300-60100	3	SC-WATEEXT3*6*1[R]	
13	G58-00100-08381	1	PLA-P0554/PET SHEET/BK[R]	022-02000-38423
12	F98-04400-27896	2	PLA-NYLBUSH[R]	022-02000-17253
11	F89-07018-00111	2	IN-SITO220/18*1[R]	
10	F89-07022-00121	1	IN-SITO220COVER[R]	
9	A65-23000-24593	1	MET-CLIPDSP2000[R]	
8	F88-30080-30291	3	SC-M03*08-03-B-ZP-SLV[R]	
7	F97-00600-11827	1	MI-PROTFILM7[R]	022-02000-01783
6	G67-40103-01810	1	X-POWS/03P/AMP/BLK/06	
5	I84-02211-04984	1	SW-RO-LO-1-1-FR-N-CANAL[R]	
4	I84-02211-00140	1	SW-RO-LO-1-1-FR-N-5[R]	
3	A62-02000-23975	1	MET-POWERBRACKET/UB2222FX-PRO	022-01000-00439
2	F88-30050-30297	6	SC-M03*05-03-B-ZP-BLK[R]	
1	A62-02000-27452	1	MET-BRACKETCOVER-UB[R]	022-01000-01625

Parts List

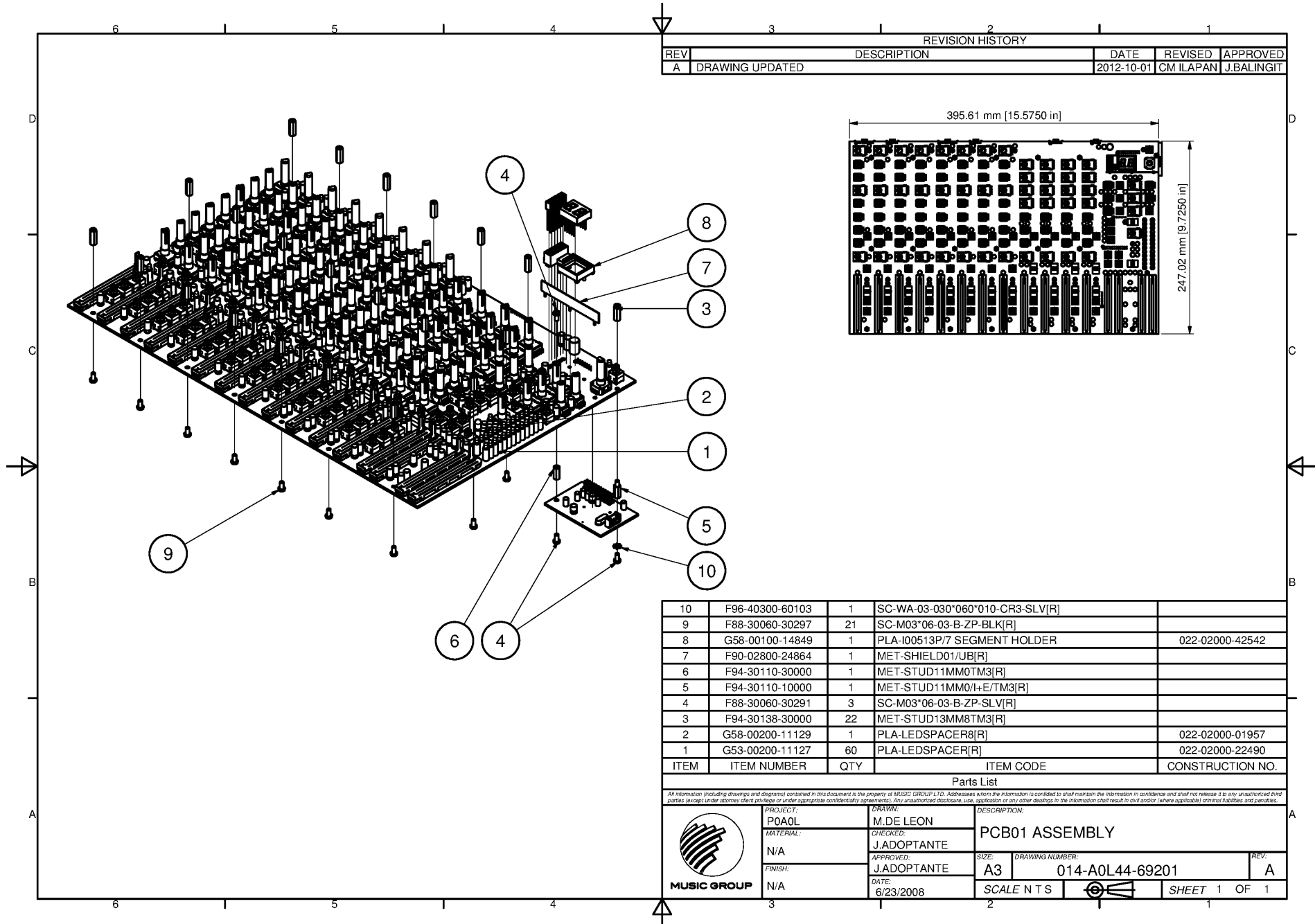
All information (including drawings and diagrams) contained in this document is the property of MUSIC GROUP LTD. Reference will be made to the information contained in this document to confirm and assist in the development of any subsequent product. No part of this document may be reproduced, stored in a retrieval system, or transmitted in any form or by any means, without the prior written permission of MUSIC GROUP LTD.

PROJECT: P040H	DRAWN: J.ADOPTANTE	DESCRIPTION: SMPSU22 ASSEMBLY
DATE: N/A	CHECKED: C.TRIA	SIZE: A2
APPROVED: C.TRIA	DATE: 6/8/2009	DRAWING NUMBER: 014-A0H74-99201
FINISH: N/A		SCALE: N T S
		SHEET 1 OF 1

REVISION HISTORY				
REV	DESCRIPTION	DATE	REVISED	APPROVED
A	DRAWING UPDATED	2012-10-01	CM ILAPAN	J.BALINGIT



2	F88-30060-30297	4	SC-M03*06-03-B-ZP-BLK[R]		
1	F94-30243-30000	4	MET-STUD24MM3TM3[R]		
ITEM	ITEM NUMBER	QTY	ITEM CODE	CONSTRUCTION NO.	
Parts List					
<small>All information (including drawings and diagrams) contained in this document is the property of MUSIC GROUP LTD. Addressees whom the information is confided to shall maintain the information in confidence and shall not release it to any unauthorized third parties (except under attorney client privilege or under appropriate confidentiality agreements). Any unauthorized disclosure, use, application or any other dealings in the information shall result in civil and/or (where applicable) criminal liabilities and penalties.</small>					
	PROJECT:	POA0L	DRAWN: M.DE LEON		
	MATERIAL:	N/A	CHECKED: J.ADOPTANTE		
	FINISH:	N/A	APPROVED: J.ADOPTANTE		
	DATE:	6/4/2008	SIZE: A3	DRAWING NUMBER: 014-A0L54-69201	REV: A
			SCALE: N T S	SHEET 1 OF 1	





We Hear You