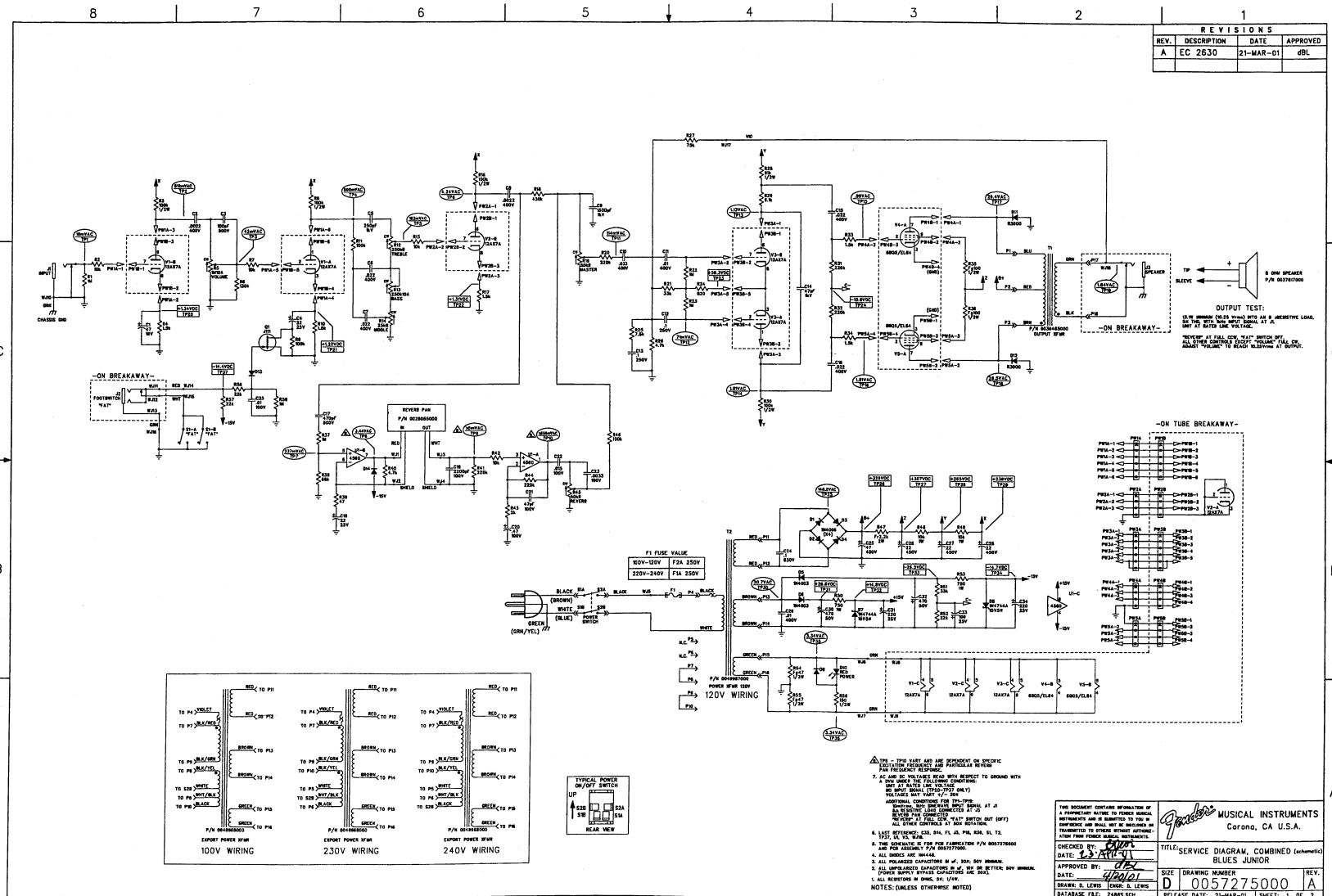


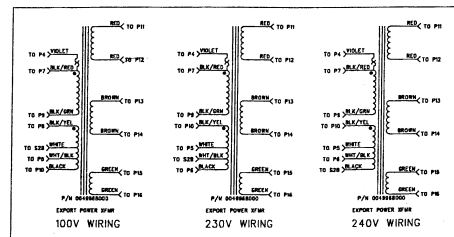
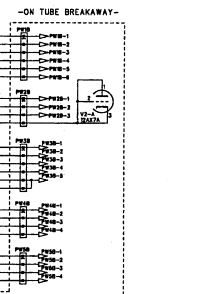
BLUES JUNIOR (REV A)

Fender

REVISIONS			
REV.	DESCRIPTION	DATE	APPROVED
A	EC 2630	21-MAR-01	dBL



OUTPUT TEST:
 15 W RMS (12.5 V RMS) INTO 8 Ω RESISTIVE LOAD.
 SEE THE TEST AND MEASUREMENT CHART AT THE END OF THIS MANUAL FOR THE
 TEST AT RATED LINE VOLTAGE.



- △ THE 120V WIRING AND THE DEPENDENT ON SPECIFIC
 TUBE TYPES AND PARTS LISTED IN THE
 PARTS LIST.
1. ALL WIRING IS TO BE DONE WITH RESPECT TO GROUND WITH
 THE POSITIVE TERMINALS OF THE POWER SUPPLY
 AND ALL OTHER CONTROLS AT 0V POTENTIAL.
 2. ALL WIRING IS TO BE DONE WITH RESPECT TO GROUND WITH
 THE POSITIVE TERMINALS OF THE POWER SUPPLY
 AND ALL OTHER CONTROLS AT 0V POTENTIAL.
 3. ALL WIRING IS TO BE DONE WITH RESPECT TO GROUND WITH
 THE POSITIVE TERMINALS OF THE POWER SUPPLY
 AND ALL OTHER CONTROLS AT 0V POTENTIAL.
 4. ALL WIRING IS TO BE DONE WITH RESPECT TO GROUND WITH
 THE POSITIVE TERMINALS OF THE POWER SUPPLY
 AND ALL OTHER CONTROLS AT 0V POTENTIAL.
 5. ALL WIRING IS TO BE DONE WITH RESPECT TO GROUND WITH
 THE POSITIVE TERMINALS OF THE POWER SUPPLY
 AND ALL OTHER CONTROLS AT 0V POTENTIAL.
 6. ALL WIRING IS TO BE DONE WITH RESPECT TO GROUND WITH
 THE POSITIVE TERMINALS OF THE POWER SUPPLY
 AND ALL OTHER CONTROLS AT 0V POTENTIAL.
 7. ALL WIRING IS TO BE DONE WITH RESPECT TO GROUND WITH
 THE POSITIVE TERMINALS OF THE POWER SUPPLY
 AND ALL OTHER CONTROLS AT 0V POTENTIAL.
 8. ALL WIRING IS TO BE DONE WITH RESPECT TO GROUND WITH
 THE POSITIVE TERMINALS OF THE POWER SUPPLY
 AND ALL OTHER CONTROLS AT 0V POTENTIAL.
 9. ALL WIRING IS TO BE DONE WITH RESPECT TO GROUND WITH
 THE POSITIVE TERMINALS OF THE POWER SUPPLY
 AND ALL OTHER CONTROLS AT 0V POTENTIAL.
 10. ALL WIRING IS TO BE DONE WITH RESPECT TO GROUND WITH
 THE POSITIVE TERMINALS OF THE POWER SUPPLY
 AND ALL OTHER CONTROLS AT 0V POTENTIAL.

THIS DOCUMENT CONTAINS INFORMATION OF A PROPRIETARY NATURE TO FENDER MUSICAL INSTRUMENTS AND IS LOANED TO YOU IN CONFIDENCE AND SHALL NOT BE REPRODUCED OR TRANSMITTED IN ANY FORM OR BY ANY MEANS WITHOUT THE WRITTEN PERMISSION OF FENDER MUSICAL INSTRUMENTS.

CHECKED BY: *[Signature]*
 DATE: 4/2/01

APPROVED BY: *[Signature]*
 DATE: 4/2/01

DESIGNED BY: LINDSAY
 DRAWN BY: LINDSAY

FENDER MUSICAL INSTRUMENTS
 Corona, CA U.S.A.

TITLE: SERVICE DIAGRAM, COMBINED (REVISED)
 SIZE: DRAWING NUMBER
 D 0057275000 A
 RELEASE DATE: 21-MAR-01 | SHEET: 1 OF 2