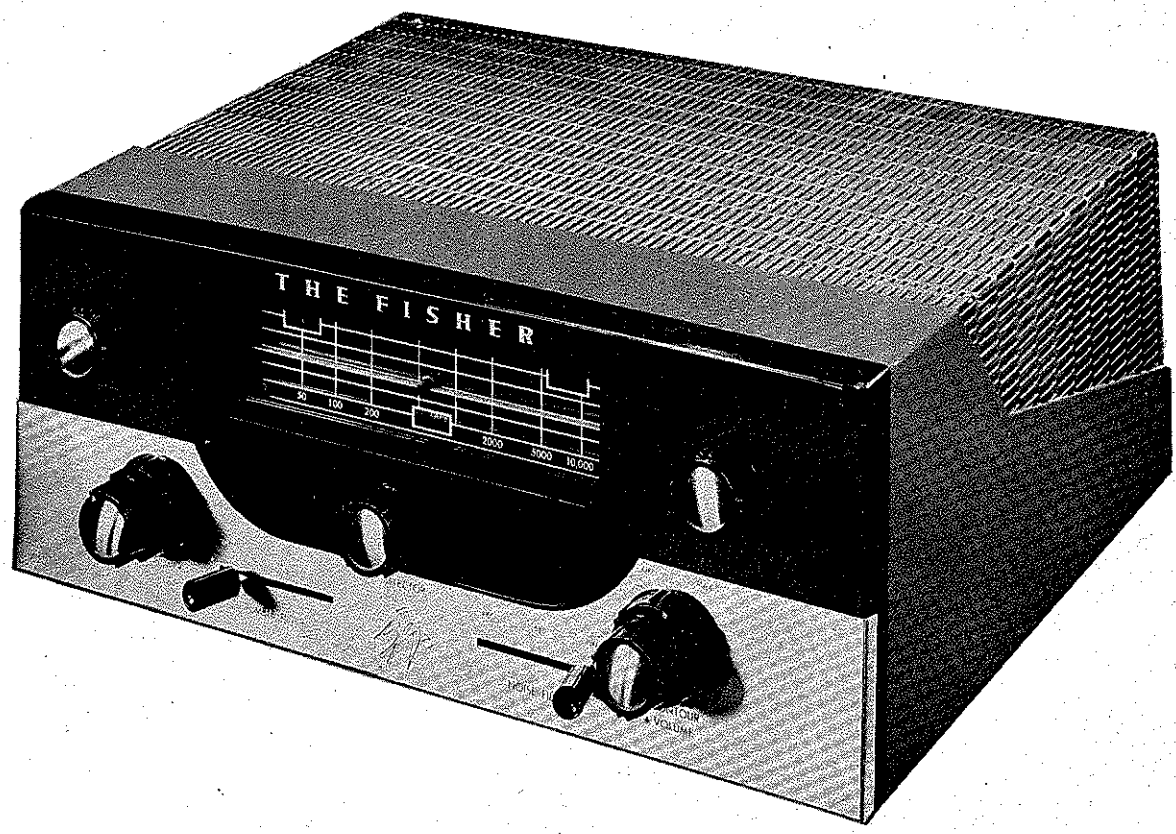




FISHER  
MODEL CA-40



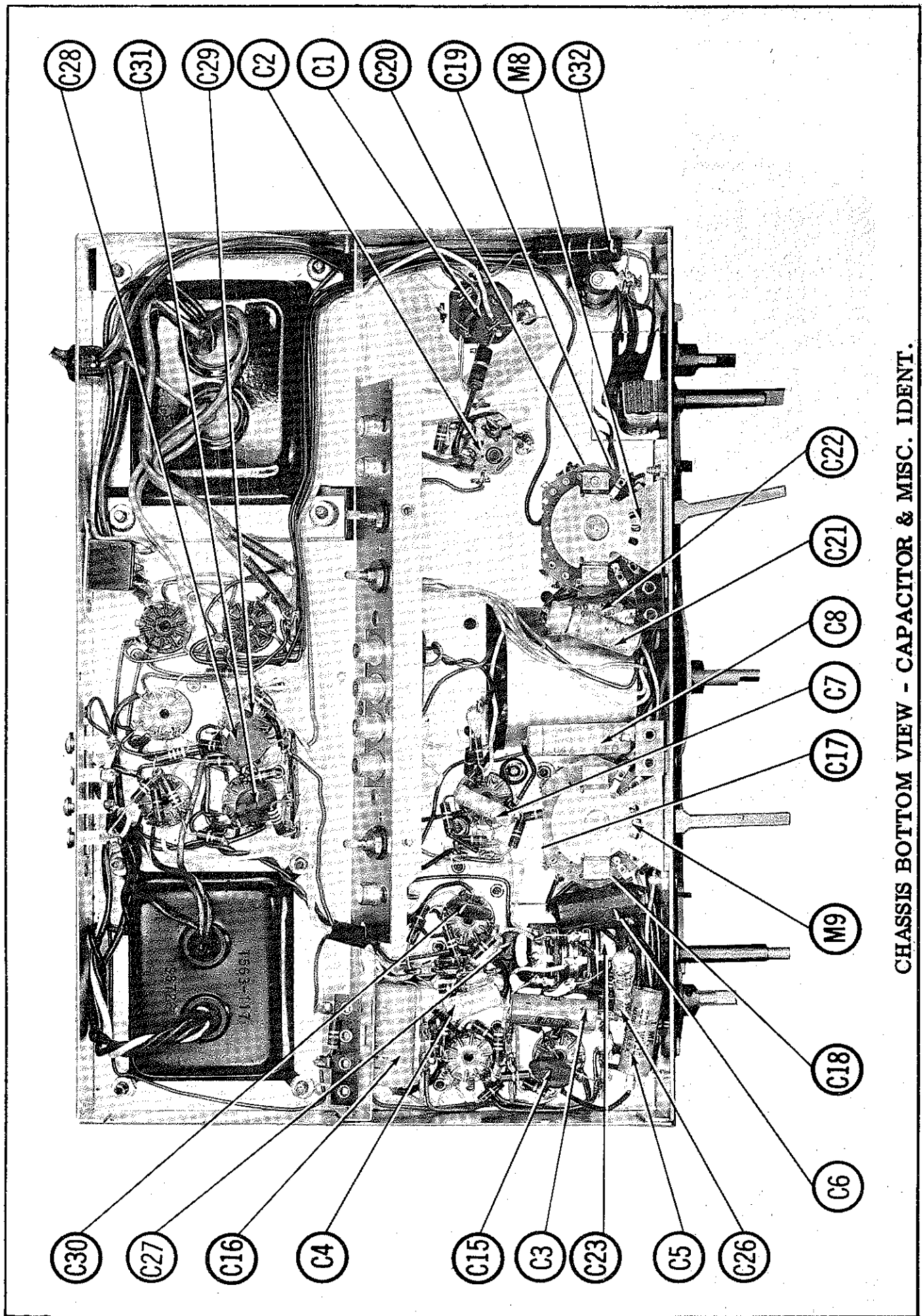
FISHER  
MODEL CA-40

TRADE NAME	Fisher Model CA-40	
MANUFACTURER	Fisher Radio Corp., 21-21 44th Drive, Long Island City 1, N. Y.	
TYPE SET	AC Operated 6Channel 25 Watt Audio Amplifier	
TUBES (Ten)	Types 12AX7 Preamplifier, 12AU7 Cathode Follower, 12AX7 AF Amplifier, 12AX7 AF Amp. -Phase Inv., (4) 6BQ5/EL84 Output, (2) 6BW4 Rectifier	
POWER SUPPLY	105-125 Volts AC-50/60 Cycles	RATING 1.1 Amp. @117 Volts AC (120Watts)

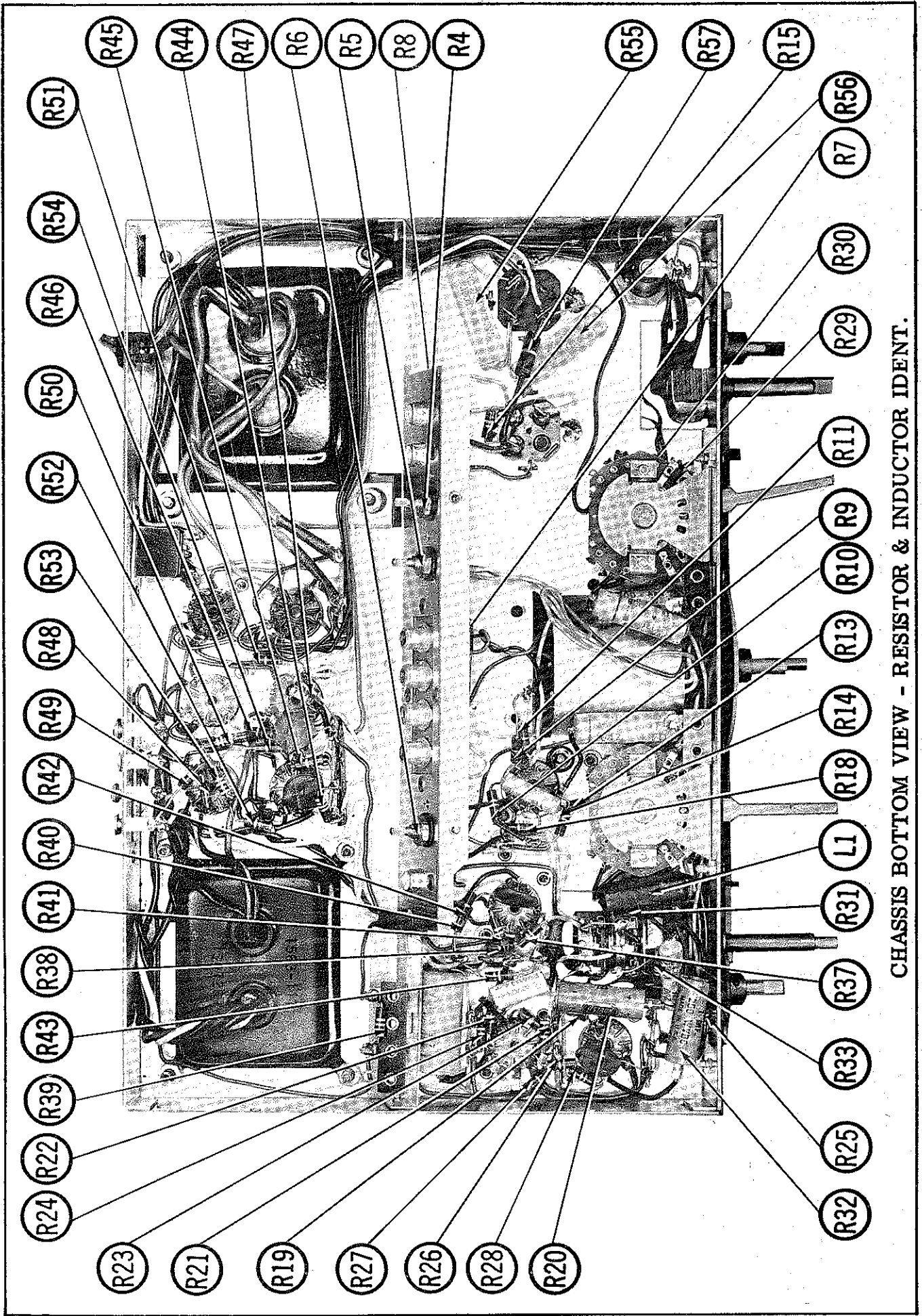
**HOWARD W. SAMS & CO., INC. • Indianapolis 5, Indiana**

The listing of any available replacement part herein does not constitute in any case a recommendation, warranty or guaranty by Howard W. Sams & Co., Inc., as to the quality and suitability of such replacement part. The numbers of these parts have been compiled from information furnished to Howard W. Sams & Co., Inc., by the manufacturers of H410

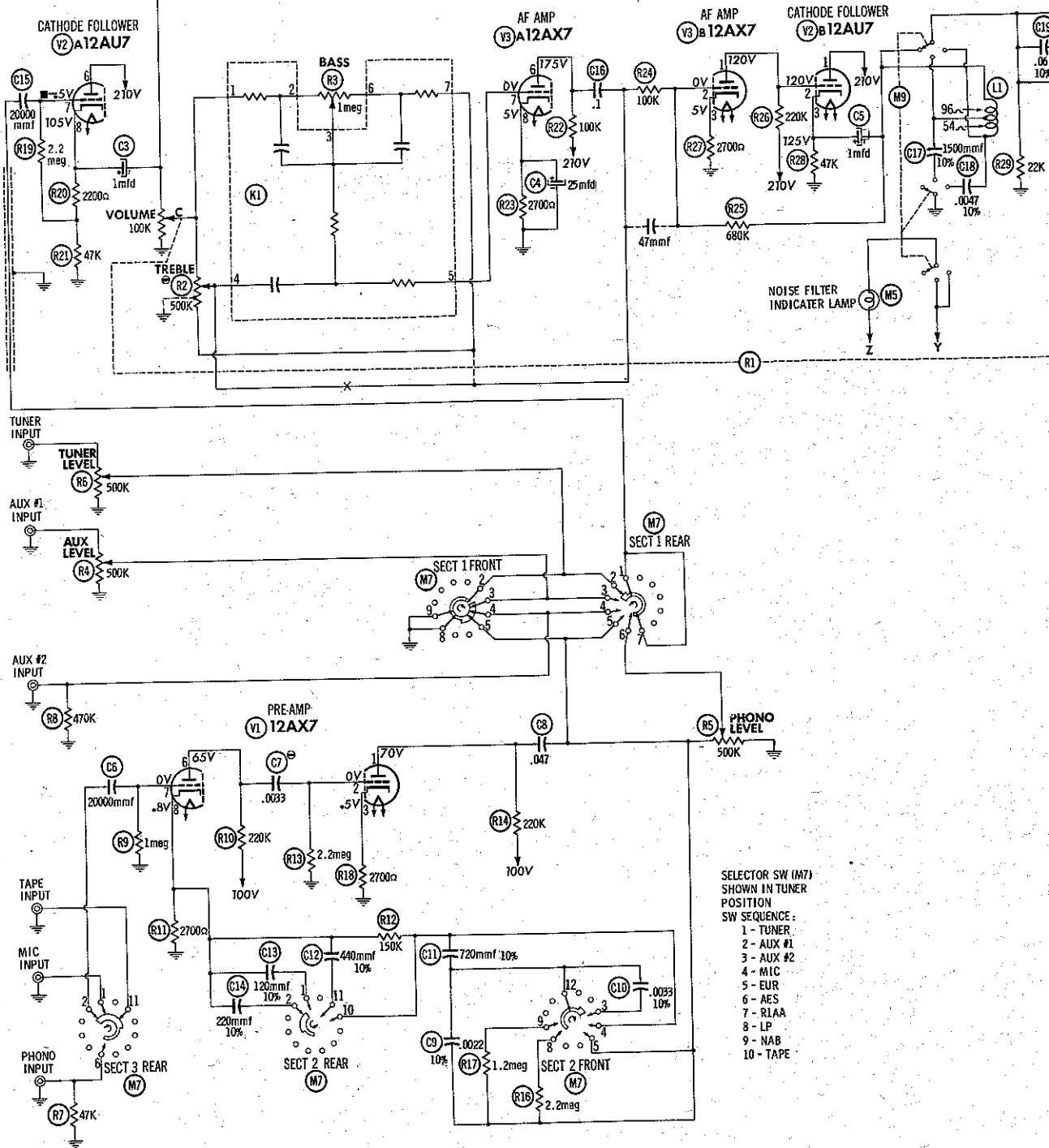
the particular type of replacement part listed. Reproduction or use, without express permission, of editorial or pictorial content, in any manner, is prohibited. No patent liability is assumed with respect to the use of the information contained herein. © 1958 Howard W. Sams & Co., Inc., Indianapolis 5, Indiana. Printed in U.S. of America



CHASSIS BOTTOM VIEW - CAPACITOR & MISC. IDENT.



FISHER  
MODEL CA-40  
CHASSIS BOTTOM VIEW - RESISTOR & INDUCTOR IDENT.



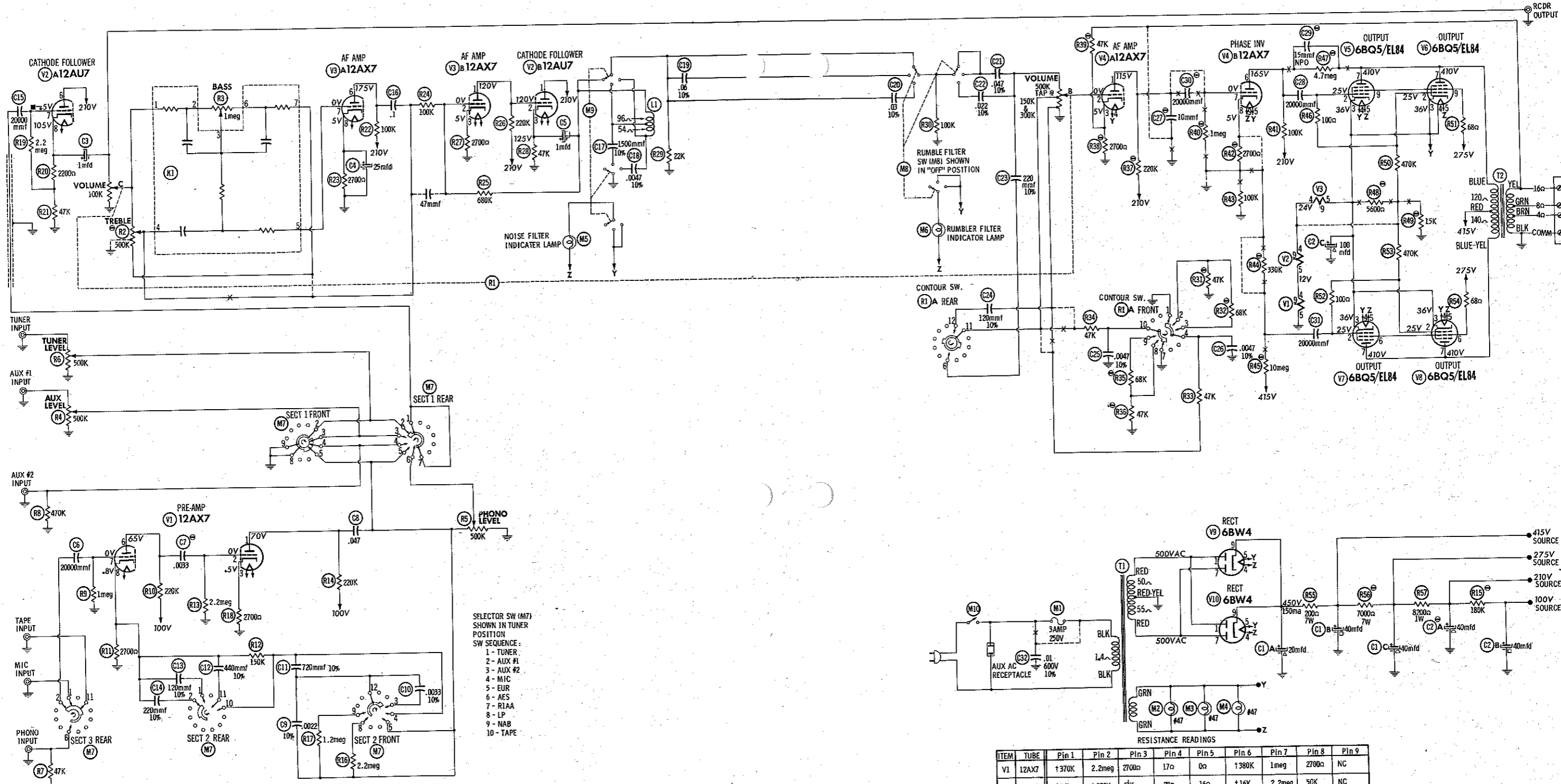
SELECTOR SW (M7)  
SHOWN IN TUNER  
POSITION  
SW SEQUENCE:  
1 - TUNER  
2 - AUX #1  
3 - AUX #2  
4 - MIC  
5 - EUR  
6 - AES  
7 - R1AA  
8 - LP  
9 - NAB  
10 - TAPE

1. DC voltage measurements taken with vacuum tube voltmeter; AC voltages measured at 1000 ohms per volt.
2. Socket connections are shown as bottom views.
3. Measured values are from socket pin to common negative.
4. Line voltage maintained at 117 volts for voltage readings.
5. Nominal tolerance on component values makes possible a variation of ±15% in voltage and resistance readings.
6. Volume control at maximum, no signal applied for voltage measurements.

SEE PARTS LIST FOR ALTERNATE VALUE OR APPLICATION

DC COIL RESISTANCE VALUES UNDER ONE OHM NOT SHOWN ON SCHEMATIC DIAGRAM.

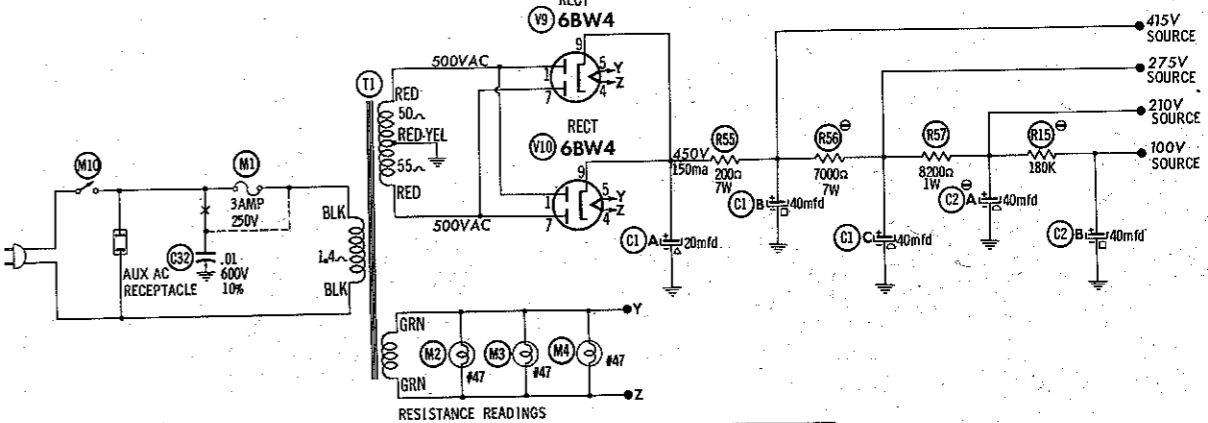
A PHOTOFAC STANDARD NOTATION SCHEMATIC  
Howard W. Sams & Co., Inc. 1958



1. DC voltage measurements taken with vacuum tube voltmeter; AC voltages measured at 1000 ohms per volt.
2. Socket connections are shown as bottom views.
3. Measured values are from socket pin to common negative.
4. Line voltage maintained at 117 volts for voltage readings.
5. Nominal tolerance on component values makes possible a variation of ±15% in voltage and resistance readings.
6. Volume control at maximum, no signal applied for voltage measurements.

SEE PARTS LIST FOR ALTERNATE VALUE OR APPLICATION  
DC COIL RESISTANCE VALUES UNDER ONE OHM NOT SHOWN ON SCHEMATIC DIAGRAM.

SELECTOR SW (M7) SHOWN IN TUNER POSITION  
SW SEQUENCE:  
1 - TUNER  
2 - AUX #1  
3 - AUX #2  
4 - MIC  
5 - EUR  
6 - AES  
7 - RIAA  
8 - LP  
9 - NAB  
10 - TAPE



RESISTANCE READINGS

ITEM	TUBE	Pin 1	Pin 2	Pin 3	Pin 4	Pin 5	Pin 6	Pin 7	Pin 8	Pin 9
V1	12AX7	† 370K	2.2meg	2700Ω	17Ω	0Ω	† 380K	1meg	2700Ω	NC
V2	12AU7	† 16K	† 220K	47K	28Ω	16Ω	† 16K	2.2meg	50K	NC
V3	12AX7	† 300K	250K	2700Ω	28Ω	43Ω	† 120K	400K	2700Ω	NC
V4	12AX7	† 220K	72Ω	2600Ω	42Ω	42Ω	† 110K	† 1.4meg	100K	42Ω
V5	6BQ5/EL84	NC	460K	42Ω	42Ω	42Ω	NC	† 320Ω	NC	† 7200Ω
V6	6BQ5/EL84	NC	460K	42Ω	42Ω	42Ω	NC	† 320Ω	NC	† 7200Ω
V7	6BQ5/EL84	NC	460K	42Ω	42Ω	42Ω	NC	† 215Ω	TP	† 7200Ω
V8	6BQ5/EL84	NC	460K	42Ω	42Ω	42Ω	NC	† 215Ω	TP	† 7200Ω
V9	6BW4	50Ω	NC	NC	42Ω	42Ω	NC	55Ω	NC	20K(MINI)
V10	6BW4	50Ω	NC	NC	42Ω	42Ω	NC	55Ω	NC	20K(MINI)

† MEASURED FROM PIN 9 OF V10  
‡ MEASURED FROM PIN 8 OF V2  
NC NO CONNECTION  
TP TIE POINT

# PARTS LIST AND DESCRIPTIONS (Continued)

## CONTROLS

ITEM No.	RATING	REPLACEMENT DATA				INSTALLATION NOTES
		FISHER PART No.	CENTRALAB PART No.	CLAROSTAT PART No.	IRC PART No.	
R1A	Switch	RS-563-124	AB-59	A47-500K-S	Q11-133	Contour Switch Volume, Tap@150K & 300K Volume Treble Note 1. Bases Aux 1 Level Phono Level Tuner Level
R1B	500K	R-563-125	AK-8 *	RS-2 *	RS-2 *	
R1C	100K	R-563-125	AK-9 *	A47-1meg-S	Q11-137	
R2A	500K	R-520-139	JP-504	RS-2 *	RS-2 *	
R3A	1meg	R-520-139	JP-504			
R6	500K	R-520-139	JP-504			

Note 1 Tap not used.  
\* File flat as needed to fit knob.

## RESISTORS

All wattages 1/2 watt, or less, unless otherwise listed.

ITEM No.	RATING		FISHER PART No.	NOTES	FISHER PART No.	NOTES
	OHMS	WATT				
R7	47K		RC20BF473K		RC20BF473K	③
R8	47K		RC20BF104K		RC20BF104K	③
R9	100K		RC20BF104K		RC20BF104K	③
R10	200K		RC20BF224K		RC20BF224K	③
R11	200K		RC20BF224K		RC20BF224K	③
R12	100K		RC20BF154K		RC20BF154K	③
R13	2.2meg		RC20BF225K		RC20BF225K	③
R14	220K		RC20BF194K		RC20BF194K	③
R15	180K		RC20BF225K		RC20BF225K	③
R16	2.2meg		RC20BF225K		RC20BF225K	③
R17	1.2meg		RC20BF125K		RC20BF125K	③
R18	2700K		RC20BF272K		RC20BF272K	③
R19	2.2meg		RC20BF225K		RC20BF225K	③
R20	2200K		RC20BF222K		RC20BF222K	③
R21	47K		RC20BF473K		RC20BF473K	③
R22	100K		RC20BF104K		RC20BF104K	③
R23	2700K		RC20BF272K		RC20BF272K	③
R24	100K		RC20BF104K		RC20BF104K	③
R25	680K		RC20BF680K		RC20BF680K	③
R26	220K		RC20BF224K		RC20BF224K	③
R27	2700K		RC20BF272K		RC20BF272K	③
R28	47K		RC20BF473K		RC20BF473K	③
R29	22K		RC20BF223K		RC20BF223K	③
R30	100K		RC20BF104K		RC20BF104K	③
R31	47K		RC20BF473K		RC20BF473K	③
R32	68K		RC20BF683K		RC20BF682K	③

Note 1. Some versions may use 10K in this application (RC20BF108K)  
 Note 2. Some versions may use 68K in this application (RC20BF683K)  
 Note 3. Some versions may use 47K in this application (RC20BF473K)  
 Note 4. Some versions may use 470K in this application (RC20BF474K)  
 Note 5. Some versions may use 680K in this application (RC20BF681K)  
 Note 6. Some versions may use 15K in this application (RC20BF151K)  
 Note 7. Not used in some versions.  
 Note 8. Some versions may use 2200K 7W in this application (R-563-146)

# PARTS LIST AND DESCRIPTIONS

## TUBES (GENERAL ELECTRIC, PENNSYLVANIA)

ITEM No.	USE	TYPE
V1	Preamplifier	6BQ6/EL84
V2	Cathode Follower	6BQ6/EL84
V3	AF Amplifier	6BQ6/EL84
V4	AF Amp, 2-Phase Inv.	6BW4
V5	Output	6BW4

## ELECTROLYTIC CAPACITORS

ITEM No.	RATING	REPLACEMENT DATA				SPRAGUE PART No.	NOTES
		FISHER PART No.	CORNELL DUBILIER PART No.	RYRAMID PART No.	SANGAMO PART No.		
C1A	20 450	C-563-127	B0450	FP976.9	D-235	TVL-3766	
C1B	40 450		BH2045		MT-4520		
C2A	40 450		B0450	FP238	D-235	TVL-3765	
C2B	40 450		B0450	TC3501	MTH-5010		
C3	1 250		BRI45	TT250X1	MMT-4501	R2605 *	
C4	25 6		BRI45	TT6X25	MMT-625	TE-1091	
C5	1 250		BRI45	TT250X1	MMT-4501	R2605 *	

① In some versions C2C is 50mfd (C2 Part # C-563-128)  
 \* Non Catalog Item

## FIXED CAPACITORS

Capacity values given in the rating column are in mfd. for Paper Capacitors, and in mmfd. for Mica and Ceramic Capacitors.

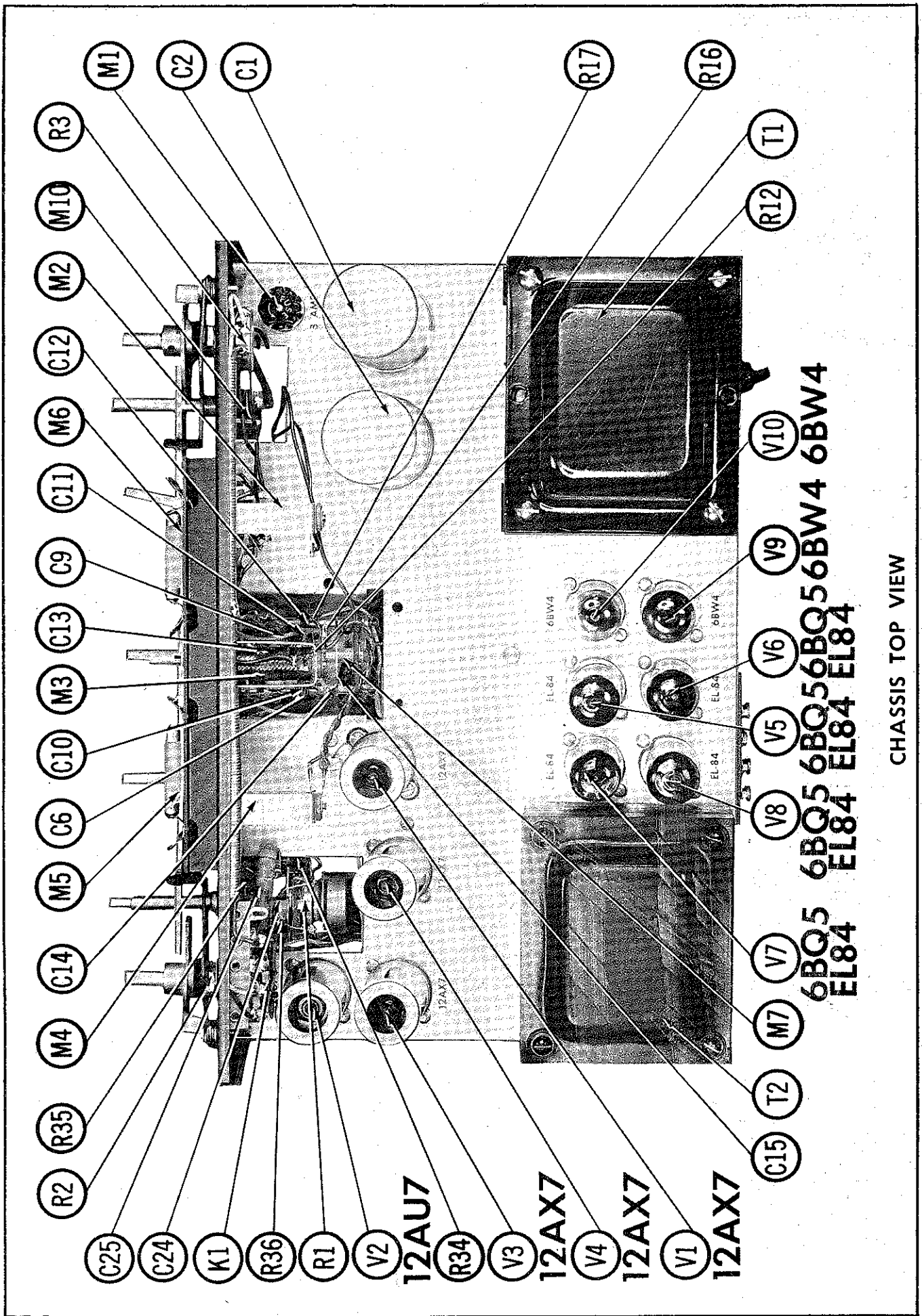
ITEM No.	RATING	REPLACEMENT DATA				NOTES
		FISHER PART No.	CORNELL DUBILIER PART No.	MALLOY PART No.	SPRAGUE PART No.	
C6	20000	C-556-122	DD-203	BYB6S2	5HK-S2	10%①
C7	.0033 200	C88F33K2	D8-332	CUB8D33	6TM-D33	
C8	.047 400	C88F473M4	P486N-047	CUB4847	4TM-S47	
C9	.0022 200	C88F22K2				
C10	.0033 200	C88F33K2				
C11	720	C21GP721K5				
C12	440	C21GP441K5				
C13	120	C21GP121K5				
C14	220	C21GP221K5				
C15	20000	C-556-122	D6-121	L10T12	MS-312	
C16	1 400	C88P104M4	D6-221	L10T22	MS-322	
C17	1500	C236GP152K5	DD-203	BYB6S2	5HK-S2	
C18	.0047 200	C88P473K2	DF-104	CUB4P1	4TM-FP1	
C19	.06 200	C88P603K2		1R8D15	MS-215	
C20	.03 200	C88P303K2				
C21	.047 200	C88P473M2				
C22	.022 200	C88P223K2				
C23	220	C21GP221K5				
C24	120	C21GP121K5				
C25	.0047 200	C88P473K2				
C26	.0047 200	C88P473K2				
C27	10 20000					
C28	20000					
C29	15	NF0-5H15				
C30	20000					
C31	20000					
C32	.01 600	C-2747				

① Some versions may use 10000mmfd in this application (Part # CK65GP103V6)  
 ② Some versions may use 33mmfd in this application (Part # CC21GP33UM5)  
 ③ Not used in some versions.

## TRANSFORMER (POWER)

ITEM No.	RATING	REPLACEMENT DATA			
		FISHER PART No.	Hollandson PART No.	Merit PART No.	Rom PART No.
T1	117V	T-563-116			
	① 1.5A	② 6.3V			
	③ 1.5A	④ 5.8A			

FISHER MODEL CA-40



CHASSIS TOP VIEW

# PARTS LIST AND DESCRIPTIONS (Continued)

## TRANSFORMER (AUDIO OUTPUT)

ITEM No.	IMPEDANCE	REPLACEMENT DATA						NOTES
		FISHER PART No.	Hull/Johnson PART No.	Meritt PART No.	Ram PART No.	Stansor PART No.	Theoderson PART No.	
T2	430003 160 Tap CT @ 83, 42	T-563-117						

## COILS

ITEM No.	USE	REPLACEMENT DATA						NOTES
		FISHER PART No.	Meissner PART No.	Meritt PART No.	Miller PART No.	Ram PART No.	Henry	
L1	Tone Choke	L-563-129						I Henry

## COMPONENT COMBINATIONS

ITEM No.	USE	DESCRIPTION	FISHER PART No.	REPLACEMENT DATA
K1	Tone Compensation		PC-562-105	

## FUSES

ITEM No.	TYPE	RATING	REPLACEMENT DATA			
			FISHER PART No.	LITTE/FUSE PART No.	FUSE HOLDER	BUSS PART No.
M1	3AG	3A 250V	F-3000	312003 (3A 250V)	342003 AGC3	

## MISCELLANEOUS

ITEM No.	PART NAME	FISHER PART No.	NOTES
M2	Pilot Lamp	I-50008-1	#47
M3	Pilot Lamp	I-50009-1	#47
M4	Pilot Lamp	I-50009-1	#47
M5	Indicator Lamp	I-563-145	Filter
M6	Indicator Lamp	I-563-145	Filter
M7	Switch	S-563-121	Selector (Rotary Water Type)
M8	Switch	S-563-122	Rumble Filter (Rotary Water Type)
M9	Switch	S-563-122	Noise Filter (Rotary Water Type)
M10	Glass	S-563-149	Power On-Off (Leaf Type)
		A-563-138	Tonescope

## CABINETS & CABINET PARTS

(When Ordering Cabinets & Cabinet Parts, Specify Model, Chassis & Color)

NAME	PART NO.	DESCRIPTION
Knob	E-50049-1	Bass, Treble, Selector
Knob	E-563-173	Rumble filter noise filter switch
Knob	E-50049-3	Power On-Off
Knob	E-50049-4	Loudness
Knob	E-50049-2	Volume

## WIRING DATA

General-use Unshielded Hook-up Wire	Use BELDEN No. 8530 (Solid) Available in Ten Colors
Power Cord	8524 (Stranded) Available in Ten Colors
Low-Loss Shielded Lead (Interconnecting)	Use BELDEN No. 1785-B (6 Ft. Length)
Phono Pick-up Arm Cable	1725-K (7 1/2 Ft. Length)
	Use BELDEN No. 8401
	Use BELDEN No. 8430 (Two Conductor - Twisted)