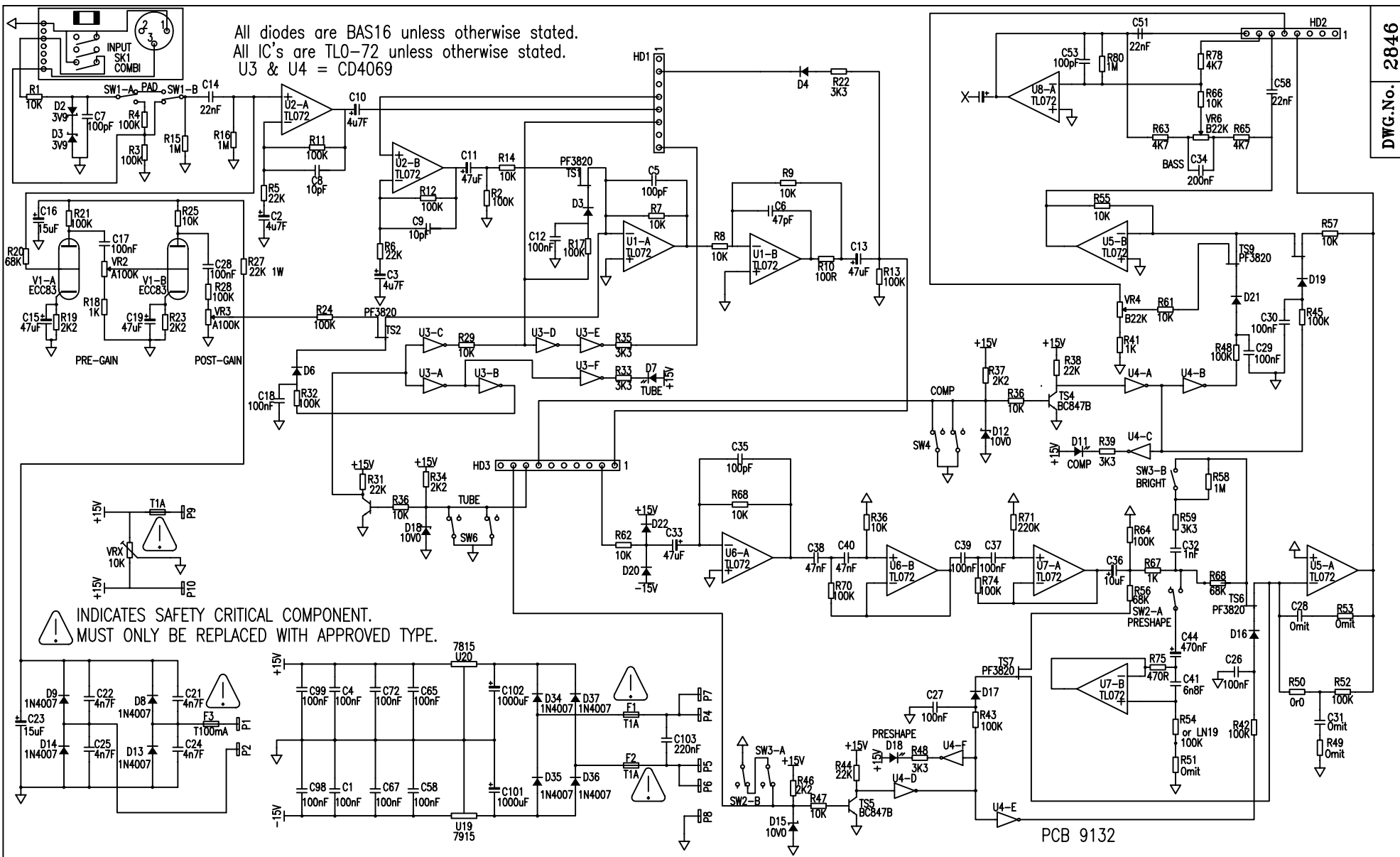


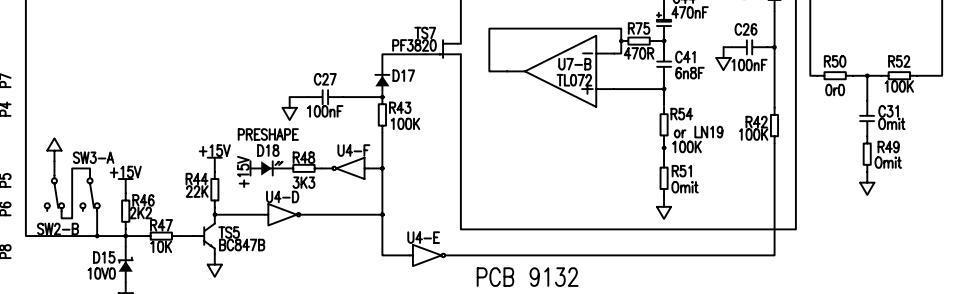
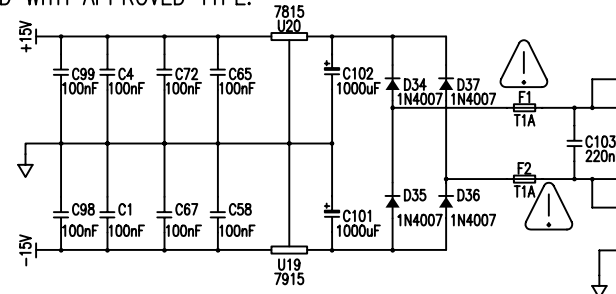
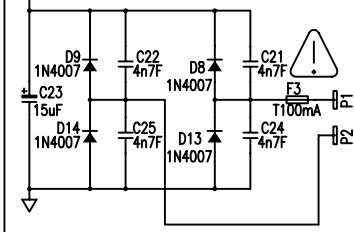
Laney

Service Diagrams

All diodes are BAS16 unless otherwise stated.
 All IC's are TL072 unless otherwise stated.
 U3 & U4 = CD4069



INDICATES SAFETY CRITICAL COMPONENT.
 MUST ONLY BE REPLACED WITH APPROVED TYPE.



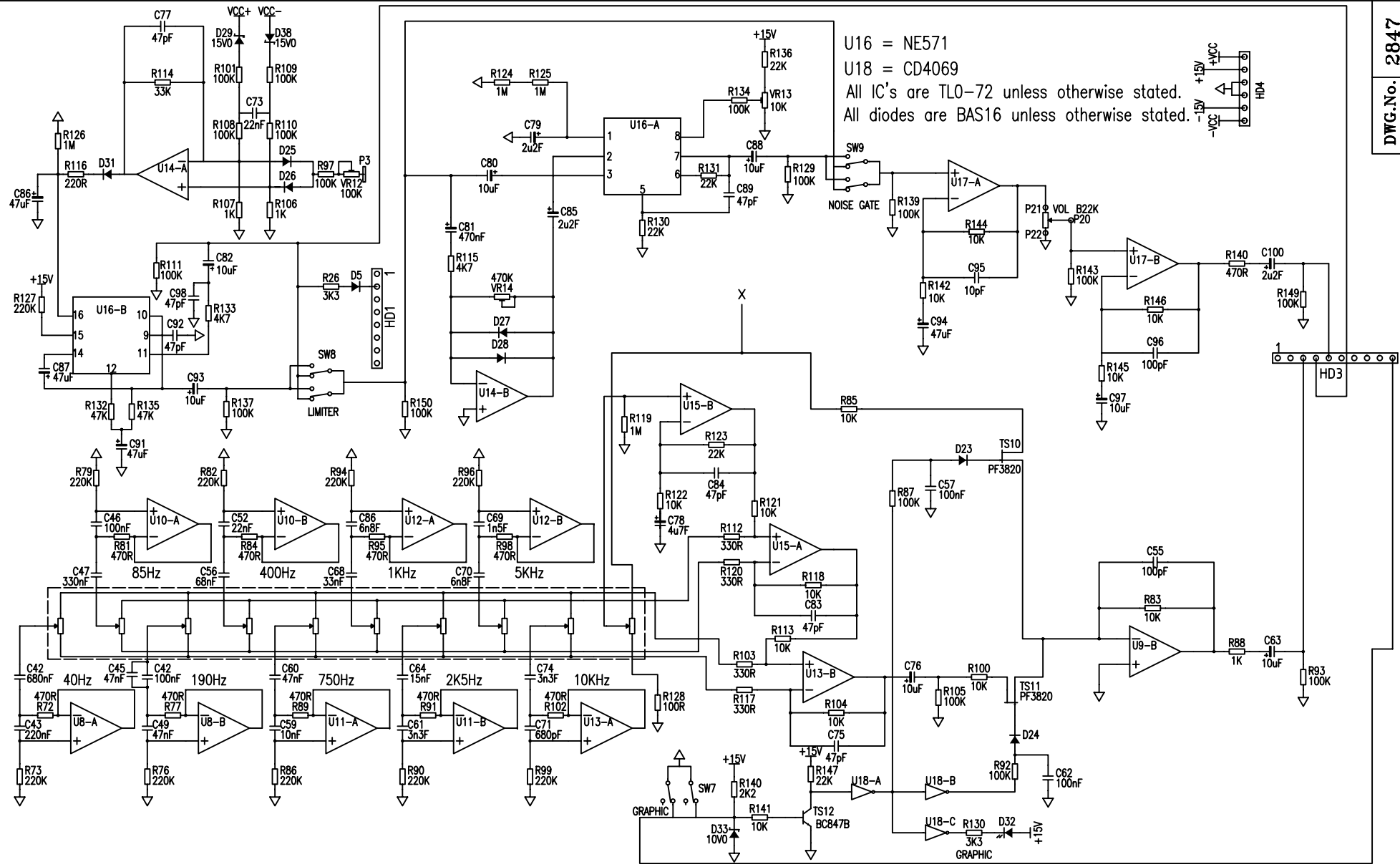
PCB 9132

ISSUE	DESCRIPTION	APPD.	DATE
3	see Change note 250	R.J.F	28/04/99
2	R37 10K TO 2K2, R24 10K TO 100K, C34 47n TO 220n	S.L.	5/9/97

BLT
 Industries Ltd.

TITLE
DB300 / DB400 PREAMP (1 of 2) PART No

DRAWN	TRACED	CHECKED	APPROVED	DATE
S.L.				6/8/98
DRAWING No.		2846		



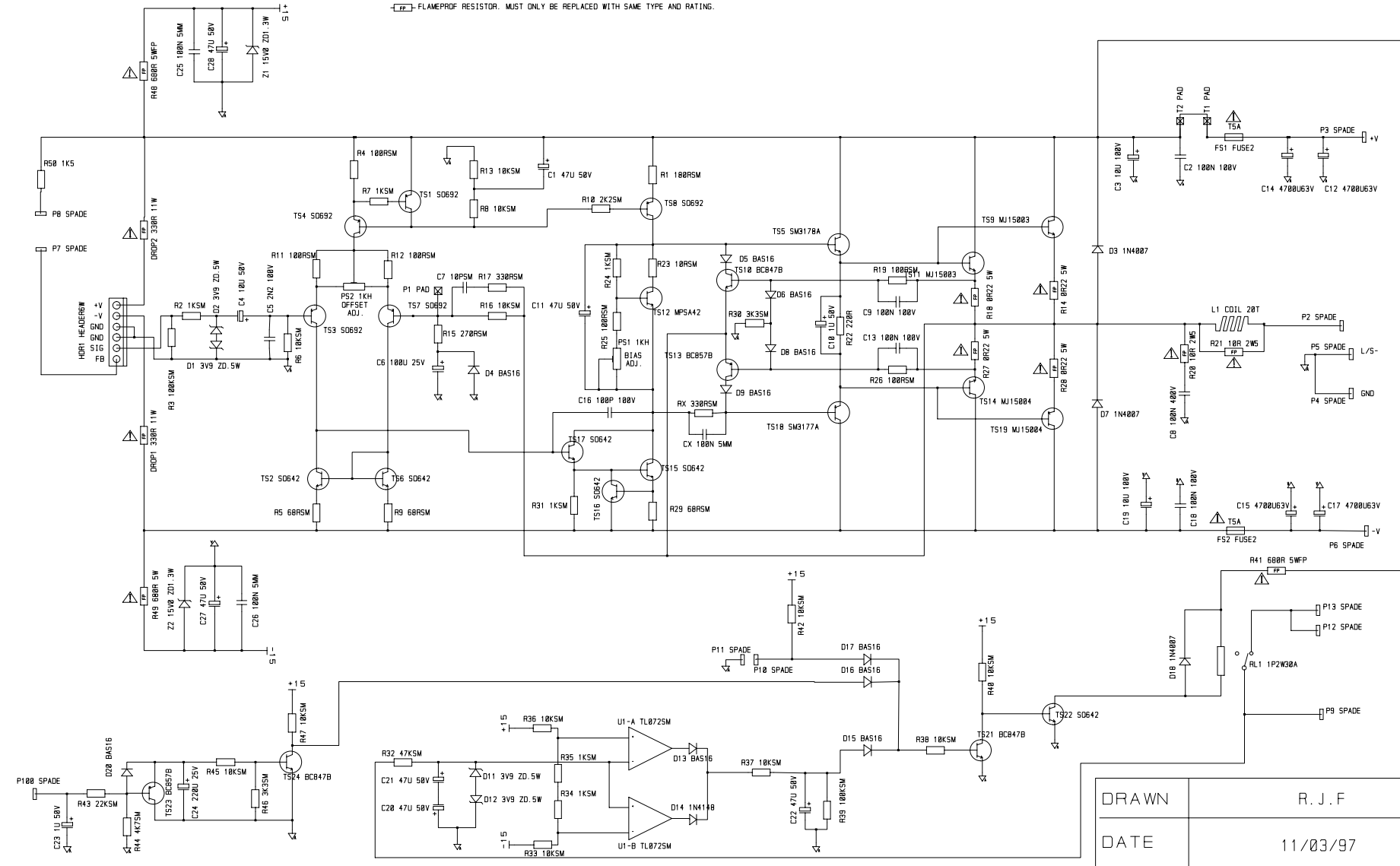
ISSUE	DESCRIPTION	APPD.	DATE
3	see Change note 250	R.J.F	28/04/99
2	R37 10K to 2K2, R24 10K to 100K, C34 47n to 220n	S.L.	5/9/97

BLT
 Industries Ltd.

TITLE
DB300 / 400 PREAMP (2 of 2) PART No

DRAWN	TRACED	CHECKED	APPROVED	DATE
S.L.				11/8/98
DRAWING No.			2847	

⚠ INDICATES SAFETY CRITICAL COMPONENTS. MUST ONLY BE REPLACED WITH APPROVED COMPONENT.
 [Symbol] FLAMEPROOF RESISTOR. MUST ONLY BE REPLACED WITH SAME TYPE AND RATING.



DRAWN	R. J. F
DATE	11/03/97
TITLE	300W OUTPUT MODULE
DRW. NO.	9121_4

ISSUE	ISSUE FOUR 11/3/97	28/09/99			
TYPE	330R 11W FP H. T. DROPPER RESISTORS ADDED PHANTOM POWER H. T. DROPPERS ADDED	Rx and Cx added to reduce short circuit current.			