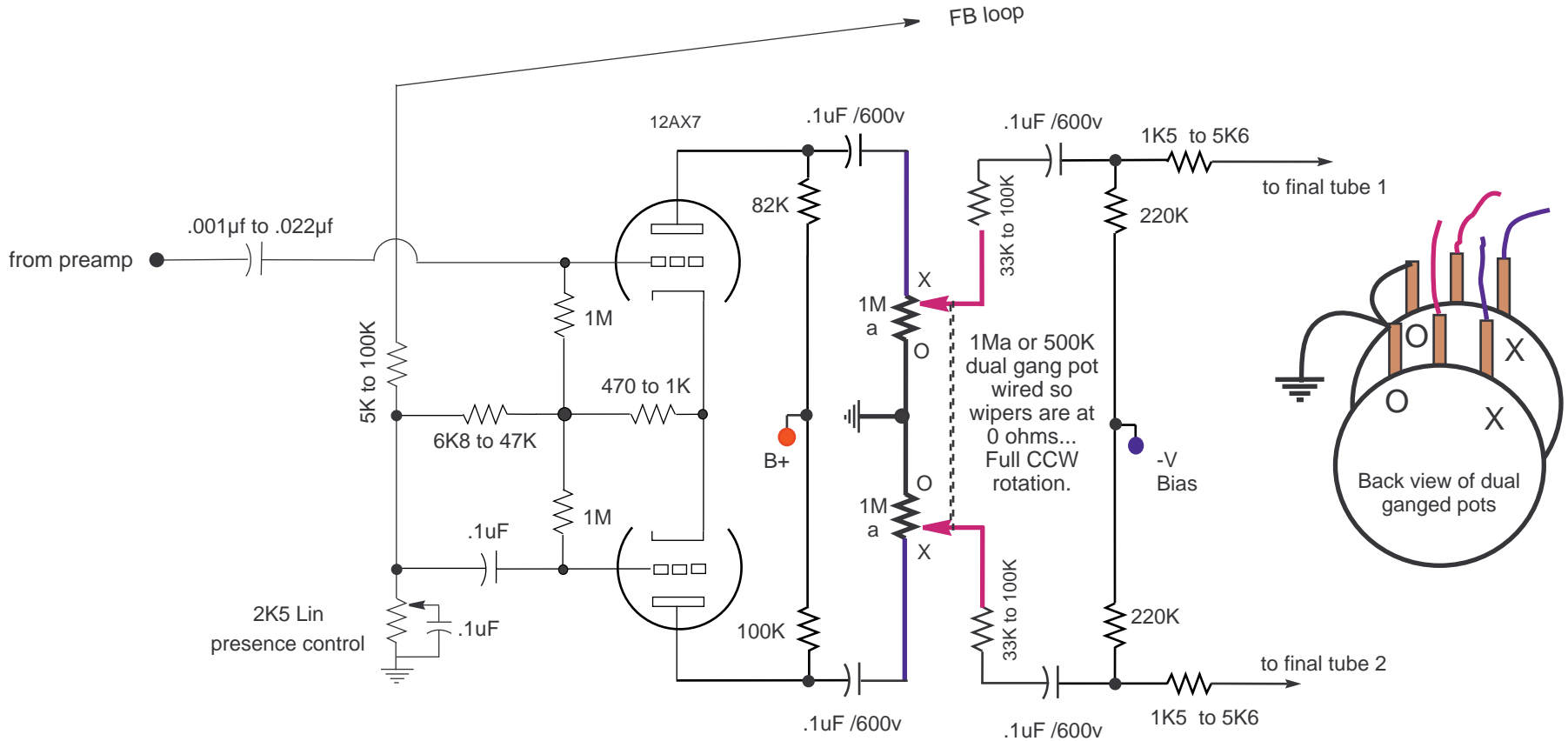


Typical Phase Inverter/Driver With Post Master Volume



Bruce Collins
Mission Amps
01/14/98