

Type #	01	02	03	04	05	06	Type
1				X	X	X	6J64n
2				X	X	X	6X4
3	X						D++
4	X						Screening
5	X	X					High Voltage
6	X	X					Extreme
7				X	X		Just Tubes
8				X	X		Screening Tube
9	X	X					Extremely Tubular

01 - "Haystack" EQ + 10Kz pole (Pre-dist) input-d. shd.  
 02 - Dist. Diodes to Grid (vs. FB loop)  
 03 - Clean (vs. 2.40K vs. -10KHz) + EQ Gain boost  
 04 - Tube Path (vs. CIA)  
 05 - Single Tube (vs. Tube or CIA)  
 06 - Drive (vs. 2.00K before vs. gain stage)

**Guide to Other Sheets**

Host CPU-I/O, Memory, DSP  
4120p-1.sch  
**Pg. 2**

P/S, Codec, FX Loop, Jacks  
4120p-2.sch  
**Pg. 3**

Front Panel Switches & LED's  
4125w.sch  
**Pg. 4**

Separate PCB Array  
(Separate Headers Also)

**NOTES**

- Unless otherwise marked:  
Resistors: 1AW 5% C.F. Capacitors in uF (M=Micro Electro) Diodes are 1N1187 / 1N5814
- Shaded parts are local to this sheet. Most logic connections to CPU (pg3)

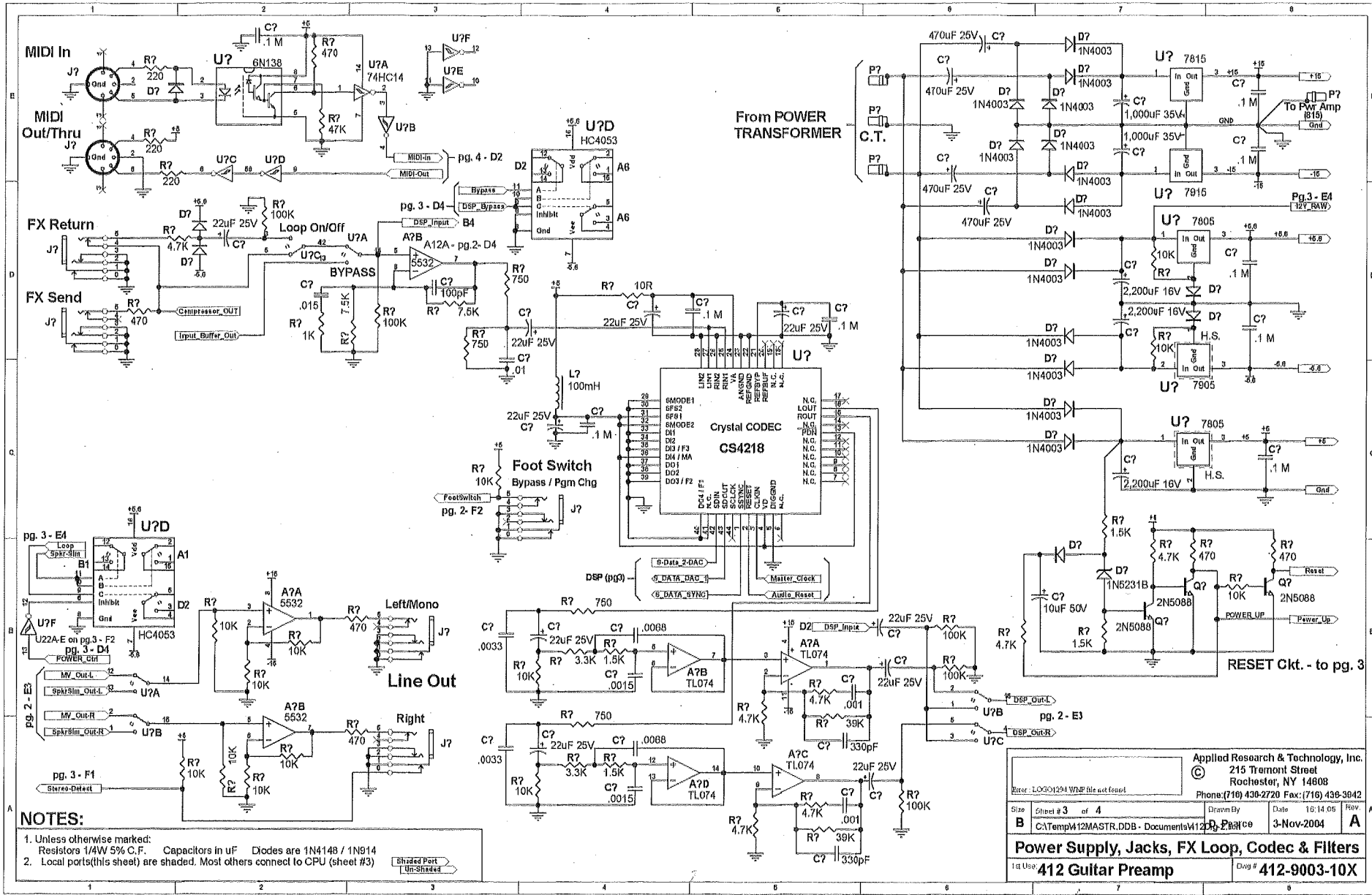
Applied Research & Technology, Inc.  
218 Tremont Street  
Rochester, NY 14609  
Phone: (716) 436-2729 Fax: (716) 436-3342

Rev. 3.0 1/23/2001 WHE/MLJ/2001

Doc: sheet # 1 of 4  
C:\Temp\51124\STR.DDB - Document\4120p-1.sch  
Date: 16 Nov 2001  
Drawn By: DRS  
Checked By: A

**Input, Distortion, Gain, Tube & EQ**

4120p-1  
**412 Guitar Preamp** Doc# 412-9001-10X



**NOTES:**

1. Unless otherwise marked: Resistors 1/4W 5% C.F. Capacitors in uF Dodes are 1N4148 / 1N914
2. Local ports (this sheet) are shaded. Most others connect to CPU (sheet #3)

Applied Research & Technology, Inc. 215 Tremont Street Rochester, NY 14608 Phone: (716) 430-2720 Fax: (716) 436-3042	
Error: LOGO1294.VMP file not found Sheet # 3 of 4 Drawn By Date: 10/14/05	Rev: A 3-Nov-2004
<b>Power Supply, Jacks, FX Loop, Codec &amp; Filters</b>	
1st Use: <b>412 Guitar Preamp</b>	Dwg # <b>412-9003-10X</b>

1. Unless otherwise marked:  
Resistors 1/4W 5% C.F. Capacitors in uF Diodes are 1N4148 / 1N914

2. All ports/busses are local to this sheet.

**NOTES**

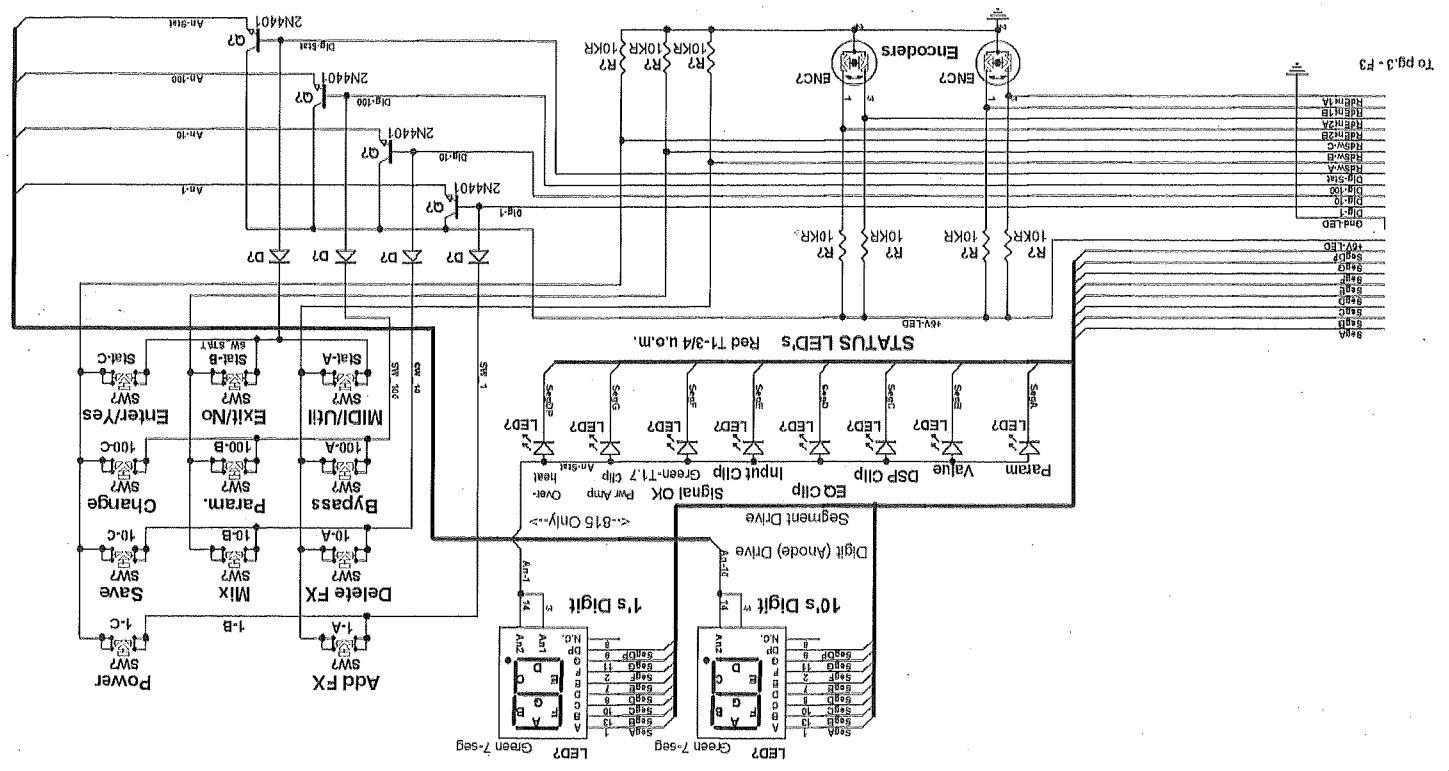
13 Use

**412 Guitar Preamp**  
Drawn By: **W12 J.M. R. J.R.**  
Date: 10-14-03 Rev: **A**

Sheet # 4 of 4  
C:\Temp\12MASTR.DDB - Document\12MASTR.DDB

Applied Research & Technology, Inc.  
215 Tromont Street  
Rochester, NY 14808  
Phone: (716) 436-2720 Fax: (716) 436-3842  
E-mail: LCC01224 W12P File and Format

DMG # 412-9004-10X



To pg.3-F3

99A  
99B  
99C  
99D  
99E  
99F  
99G  
99H  
99I  
99J  
99K  
99L  
99M  
99N  
99O  
99P  
99Q  
99R  
99S  
99T  
99U  
99V  
99W  
99X  
99Y  
99Z

**NOTES**

1. These chassis marked Resistor (WV 5% C.F. Capacitors to I.P. Codes are H4 H9 / H104.
2. A = part mounted on main board / chassis.
3. B = part mounted on individual boards.
4. All parts are listed by the sheet.

Applied Research & Technology, Inc.  
 216 Trenton Street  
 Roseland, N.J. 14000  
 Phone: (710) 988-2700 ext. (1) 988-2842  
 Telex: 151137  
 C. Patent 1/13/7008  
**Power Amp PCB - 2 x 80W @ 4 Ohm min.**  
 Part of 8-10-4002-101

