

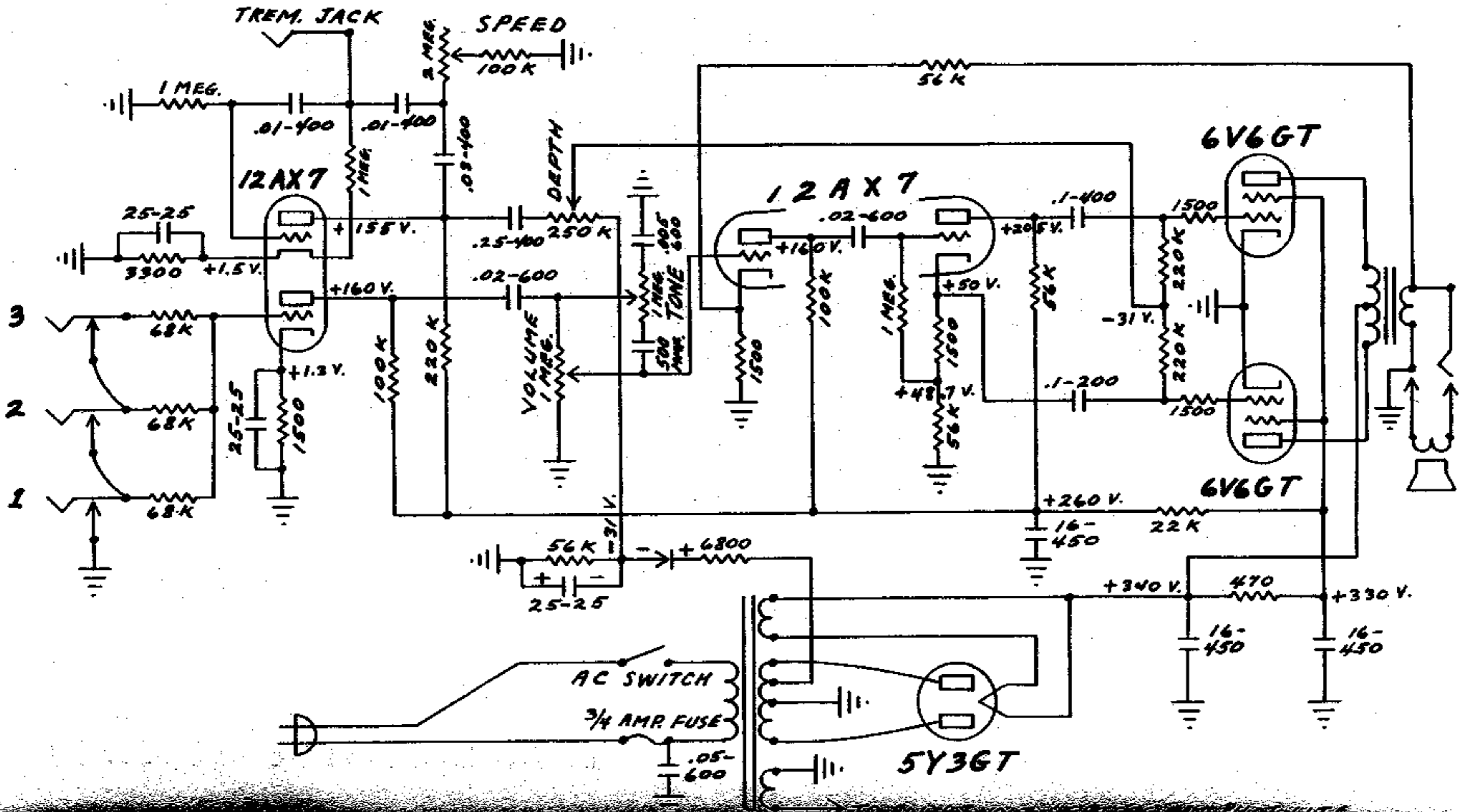
# FENDER "VIBROLUX" SCHEMATIC

## MODEL 5E11

G-EF

# NOTICE

VOLTAGES READ TO GROUND WITH V.T.V.M. VALUES SHOWN + OR - 20%



# FENDER "VIBROLUX" LAYOUT

## MODEL 5E11

# NOTICE

VOLTAGES READ TO GROUND  
WITH ELECTRONIC VOLTMETER.  
VALUES SHOWN + OR - 20%

G-EF

