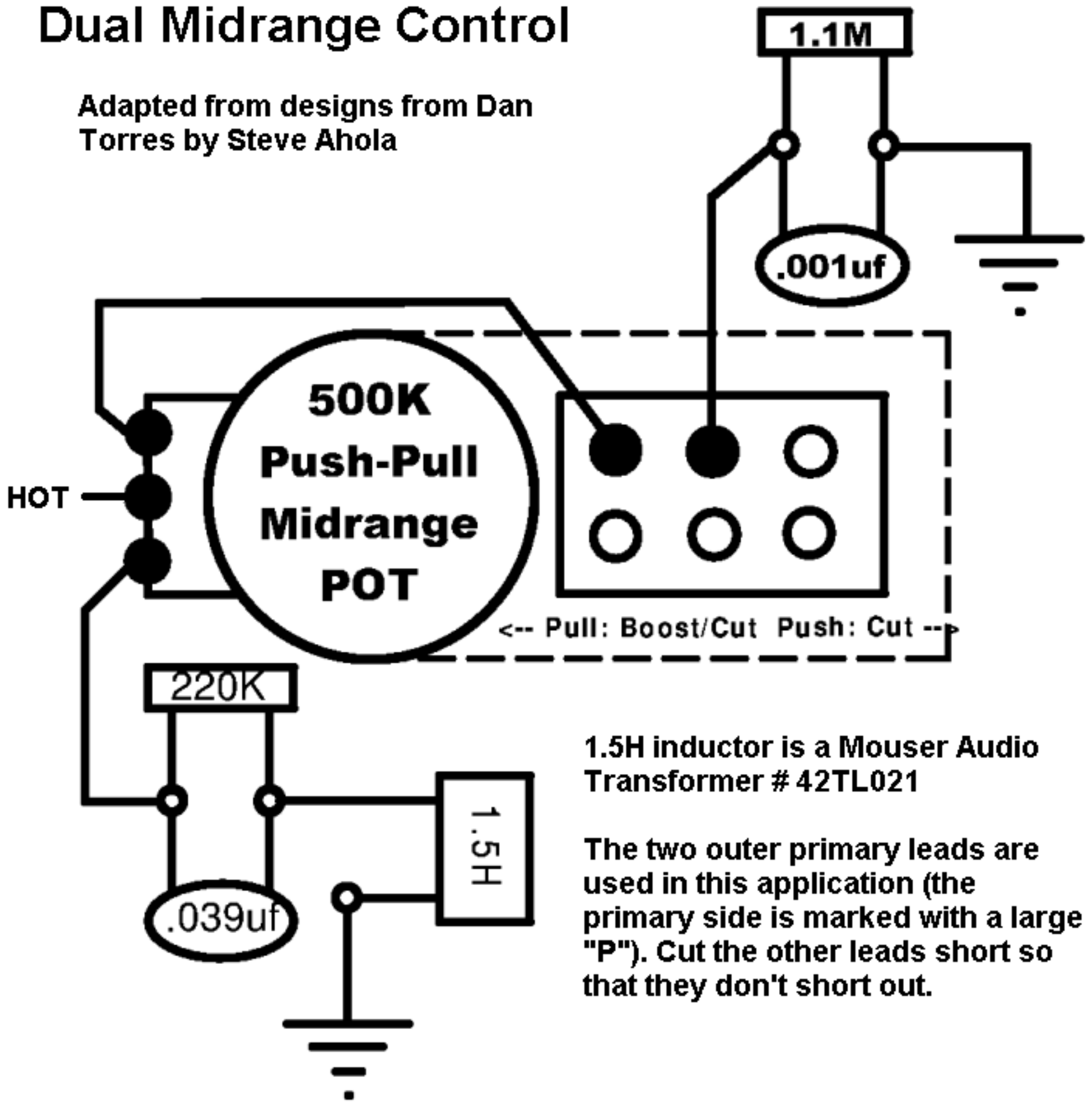


Dual Midrange Control

Adapted from designs from Dan Torres by Steve Ahola



1.5H inductor is a Mouser Audio Transformer # 42TL021

The two outer primary leads are used in this application (the primary side is marked with a large "P"). Cut the other leads short so that they don't short out.