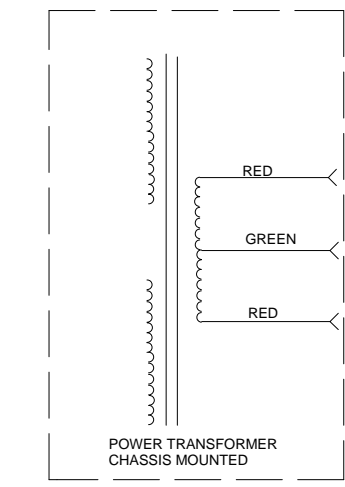


TEST POINT CONDITIONS:
 INPUT SIGNAL AT J9 PIN 2.
 1V P-P @ 1KHz SINE WAVE
 J9 PIN 3 CONNECTED TO J9 PIN 4,
 120VAC LINE VOLTAGE, NO LOAD.

TUNER/PRE LINE OUT
 EFFECTS SEND
 EFFECTS RETURN
 PREAMP OUT
 LIMITER
 PREAMP GROUND
 +16V
 -16V
 DIRTY GROUND
 LIMIT LED



CAUTION:
 THIS SCHEMATIC IS PROVIDED FOR USE BY QUALIFIED PERSONNEL.
 TO AVOID RISK OF ELECTRIC SHOCK, REFER SERVICING TO QUALIFIED
 SERVICE PERSONNEL. DO NOT PERFORM ANY SERVICING BEYOND
 THAT EXPLAINED IN THE OPERATING INSTRUCTIONS.

NOTES:
 1) CAUTION: SHOCK HAZARD!!
 THIS UNIT CONTAINS HAZARDOUS VOLTAGE. DISCONNECT POWER
 AND BE SURE POWER SUPPLY IS DISCHARGED BEFORE
 TOUCHING INTERNAL PARTS.
 2) UNLESS NOTED, RESISTOR VALUES IN OHMS, 1/8W-5% TOL.
 CAPACITOR VALUES IN MICROFARADS, 50V-10% TOL.
 3) VOLTAGES ARE MEASURED WITH 1 MEGOHM OSCILLOSCOPE
 AND 10 MEGOHM DIGITAL VOLTMETER.

4) NOTE: GROUND SYMBOLS REPRESENT GROUNDS AS SHOWN:

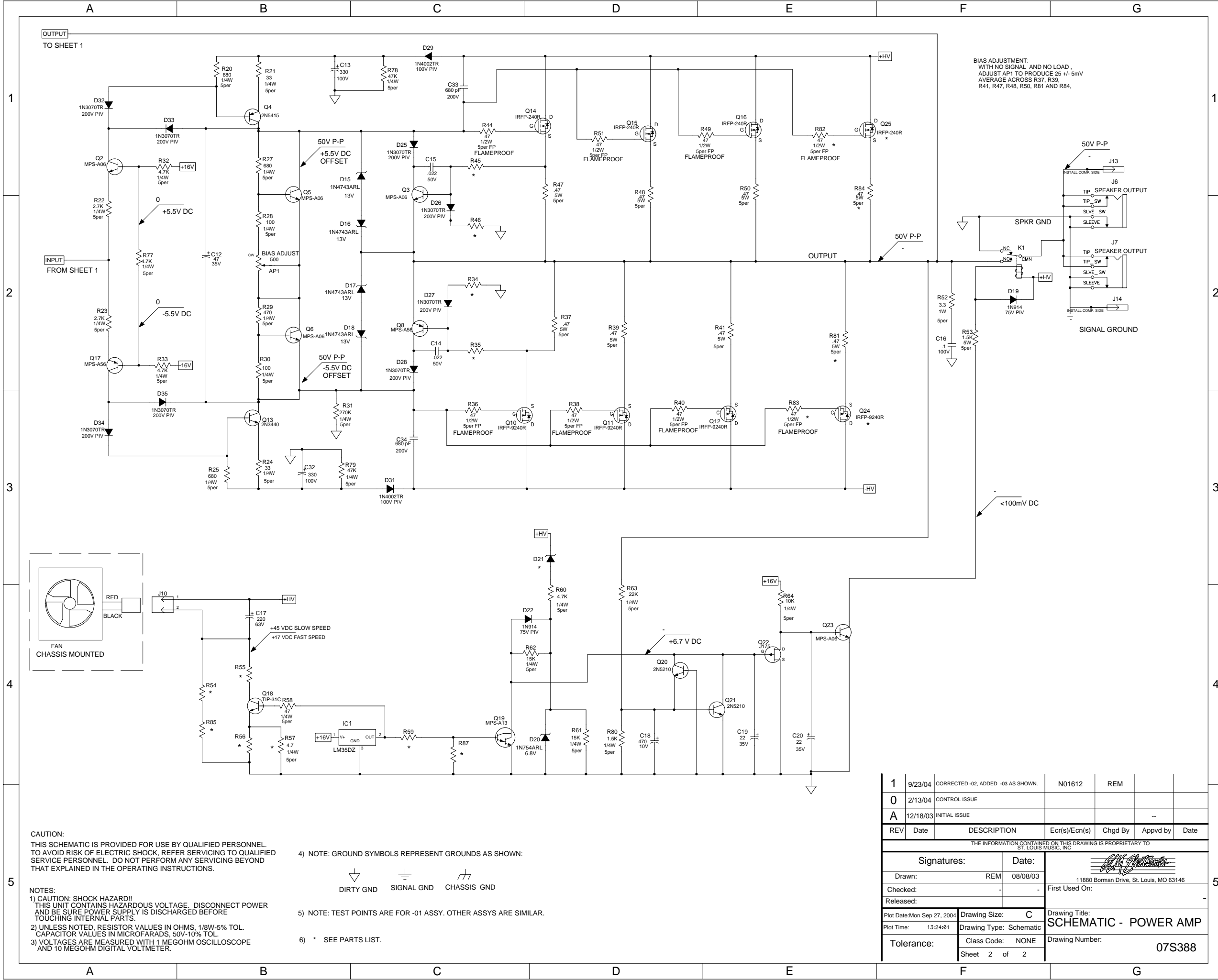
5) NOTE: TEST POINTS ARE FOR -01 ASSY. OTHER ASSYS ARE SIMILAR.

6) * SEE PARTS LIST.

ASSY PART # 07-388-01
 ASSY PART # 07-388-02
 ASSY PART # 07-388-03

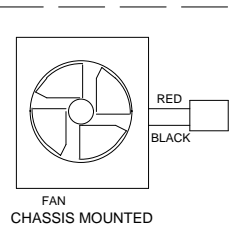
| Power Table | | |
|-------------|------|------|
| RefDes | +16V | -16V |
| IC2 | 8 | 4 |
| IC3 | 4 | 11 |
| IC4 | 8 | 4 |

| 1 | 9/23/04 | CORRECTED -02, ADDED -03 AS SHOWN. | N01612 | REM | | |
|---|----------|------------------------------------|---------------|--------------------------------------|---|------|
| 0 | 2/13/04 | CONTROL ISSUE | | | | |
| A | 12/18/03 | INITIAL ISSUE | | | | |
| REV | Date | DESCRIPTION | Ecr(s)/Ecn(s) | Chgd By | Appvd by | Date |
| THE INFORMATION CONTAINED ON THIS DRAWING IS PROPRIETARY TO ST. LOUIS MUSIC, INC. | | | | | | |
| Signatures: | | | Date: | | | |
| Drawn: REM | | | 08/08/03 | | 11880 Borman Drive, St. Louis, MO 63146 | |
| Checked: - | | | - | | First Used On: | |
| Released: | | | | | | |
| Plot Date: Mon Sep 27, 2004 | | Drawing Size: C | | Drawing Title: SCHEMATIC - POWER AMP | | |
| Plot Time: 13:24:00 | | Drawing Type: Schematic | | Drawing Number: 07S388 | | |
| Tolerance: | | Class Code: NONE | | Sheet 1 of 2 | | |



BIAS ADJUSTMENT:
 WITH NO SIGNAL AND NO LOAD,
 ADJUST AP1 TO PRODUCE 25 +/- 5mV
 AVERAGE ACROSS R37, R39,
 R41, R47, R48, R50, R81 AND R84.

<100mV DC



CAUTION:
 THIS SCHEMATIC IS PROVIDED FOR USE BY QUALIFIED PERSONNEL.
 TO AVOID RISK OF ELECTRIC SHOCK, REFER SERVICING TO QUALIFIED
 SERVICE PERSONNEL. DO NOT PERFORM ANY SERVICING BEYOND
 THAT EXPLAINED IN THE OPERATING INSTRUCTIONS.

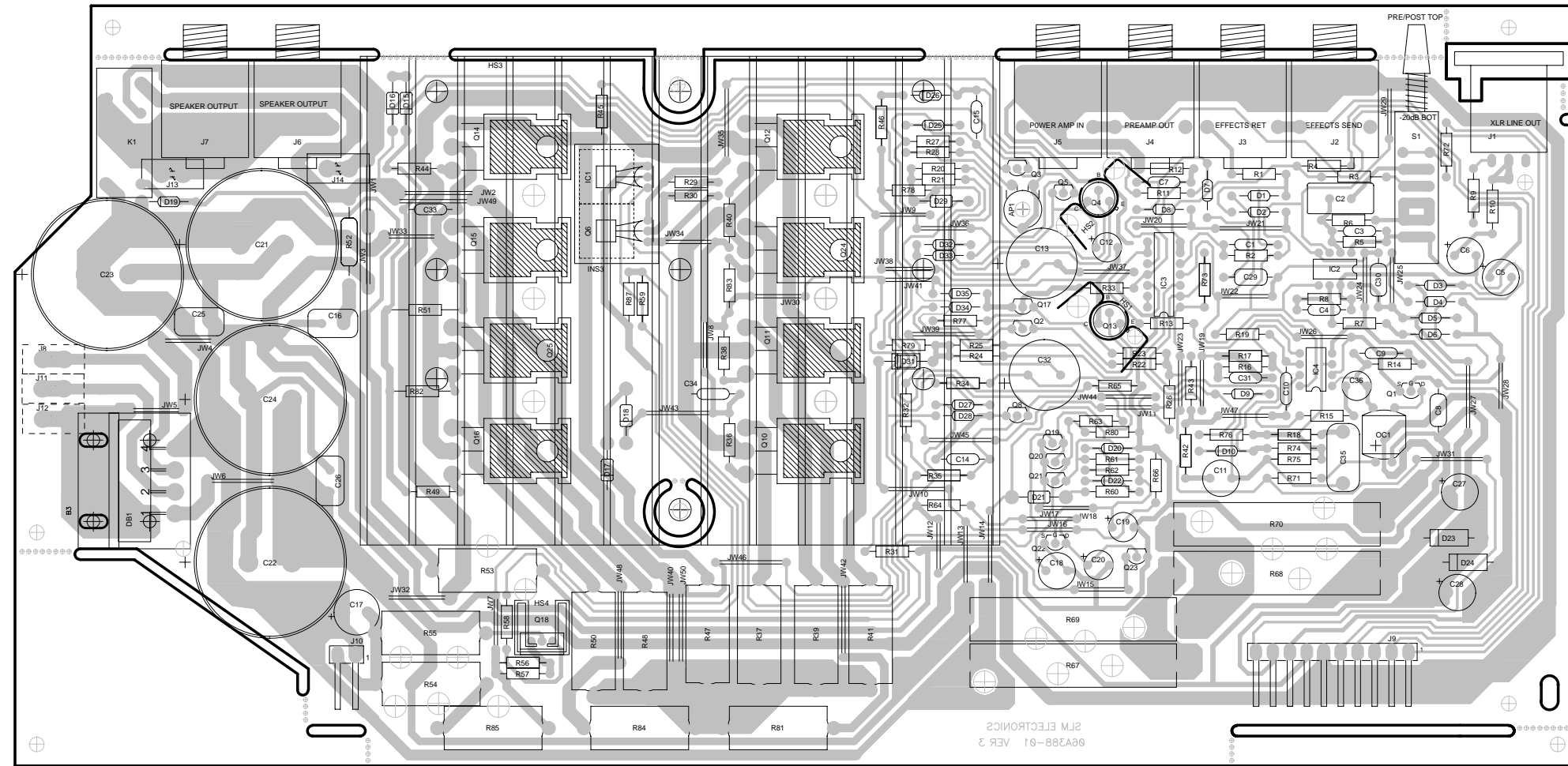
NOTES:
 1) CAUTION: SHOCK HAZARD!!
 THIS UNIT CONTAINS HAZARDOUS VOLTAGE. DISCONNECT POWER
 AND BE SURE POWER SUPPLY IS DISCHARGED BEFORE
 TOUCHING INTERNAL PARTS.
 2) UNLESS NOTED, RESISTOR VALUES IN OHMS, 1/8W-5% TOL.
 CAPACITOR VALUES IN MICROFARADS, 50V-10% TOL.
 3) VOLTAGES ARE MEASURED WITH 1 MEGOHM OSCILLOSCOPE
 AND 10 MEGOHM DIGITAL VOLTMETER.

4) NOTE: GROUND SYMBOLS REPRESENT GROUNDS AS SHOWN:

5) NOTE: TEST POINTS ARE FOR -01 ASSY. OTHER ASSYS ARE SIMILAR.

6) * SEE PARTS LIST.

| 1 | 9/23/04 | CORRECTED -02, ADDED -03 AS SHOWN. | N01612 | REM | | |
|--|----------|------------------------------------|----------------|---|----------|------|
| 0 | 2/13/04 | CONTROL ISSUE | | | | |
| A | 12/18/03 | INITIAL ISSUE | | | | |
| REV | Date | DESCRIPTION | Ecr(s)/Ecrn(s) | Chgd By | Appvd by | Date |
| THE INFORMATION CONTAINED ON THIS DRAWING IS PROPRIETARY TO ST. LOUIS MUSIC, INC. | | | | | | |
| Signatures: | | Date: | | 11880 Borman Drive, St. Louis, MO 63146 | | |
| Drawn: REM | | 08/08/03 | | | | |
| Checked: - | | - | | First Used On: - | | |
| Released: | | | | | | |
| Plot Date: Mon Sep 27, 2004 | | Drawing Size: C | | Drawing Title: SCHEMATIC - POWER AMP | | |
| Plot Time: 13:24:01 | | Drawing Type: Schematic | | Drawing Number: 07S388 | | |
| Tolerance: | | Class Code: NONE | | Sheet 2 of 2 | | |



ASSY PART # 07-388-01
 ASSY PART # 07-388-02
 ASSY PART # 07-388-03

3.) 07-388-02 ASSY - INSTALL J13 & J14 COMPONENT SIDE.

2.) FOR ASSEMBLY P/N: 07-388-01 & 07-388-02 & 07-388-03
 USE SCHEMATIC # 07S388

NOTES:

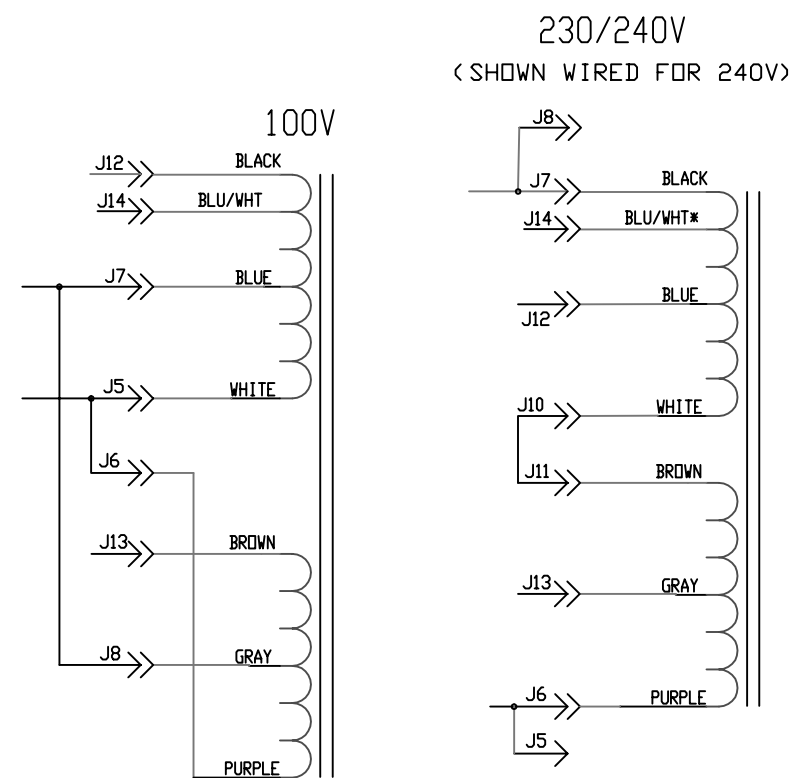
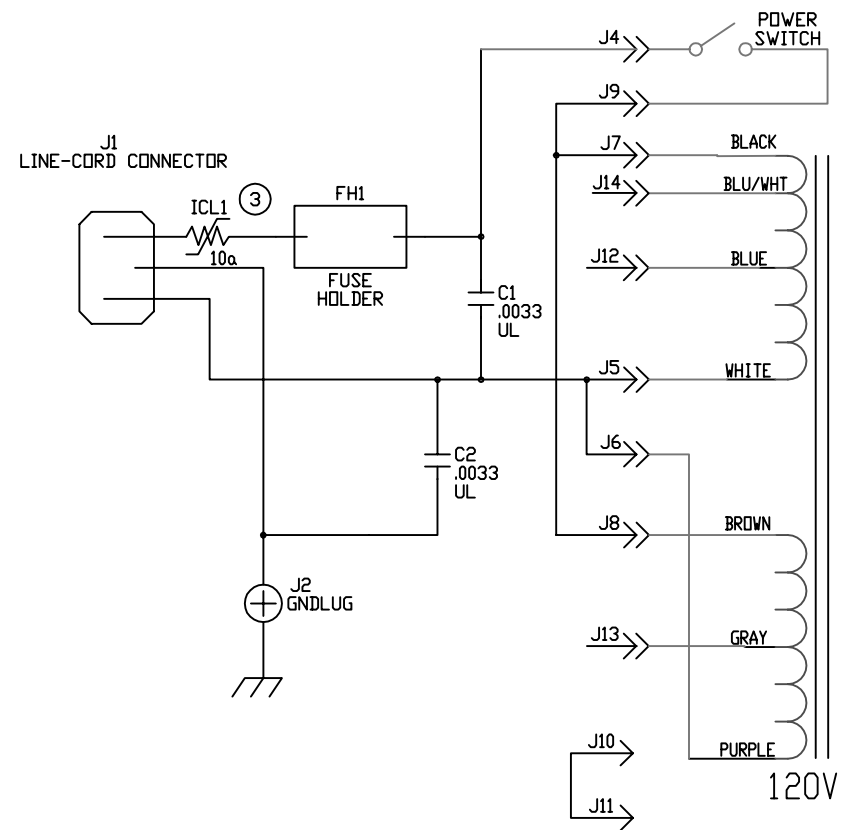
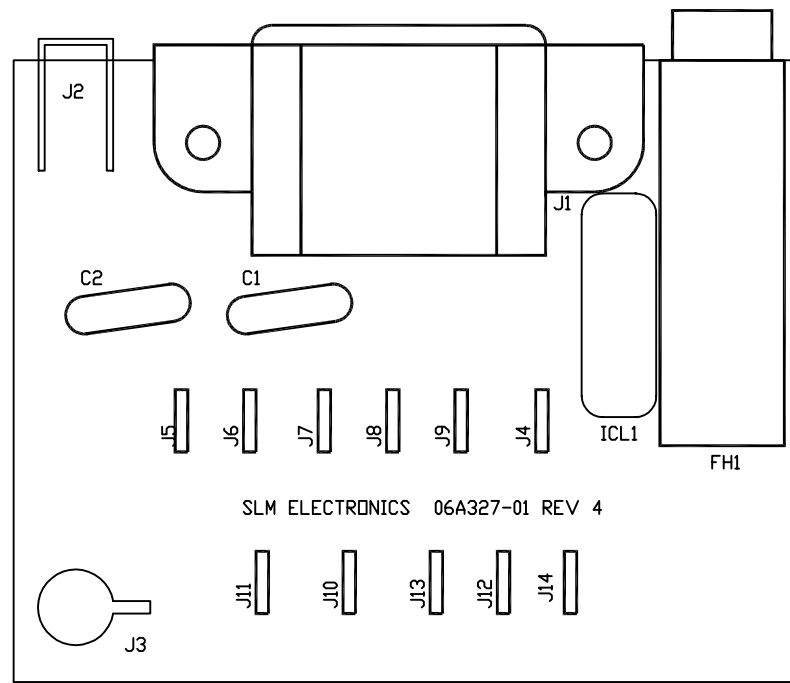
1. GOOP IN ACCORDANCE WITH PRODUCTION S.O.P.

CAUTION:
 THIS ASSEMBLY DRAWING IS PROVIDED FOR USE BY QUALIFIED PERSONNEL.
 TO AVOID RISK OF ELECTRIC SHOCK, REFER SERVICING TO QUALIFIED SERVICE PERSONNEL.
 DO NOT PERFORM ANY SERVICING BEYOND THAT EXPLAINED IN THE OPERATING INSTRUCTIONS.

| REV | Date | DESCRIPTION | Ecr(s)/Ecn(s) | Chgd By | Appvd by | Date |
|-----|----------|----------------------------|---------------|---------|----------|------|
| 1 | 9/24/04 | CORRECTED -02 ADDED -03 | N01612 | REM | | |
| 0 | 2/13/04 | CONTROL ISSUE | | | | |
| A | 12/17/03 | INITIAL ISSUE | | | | |

THE INFORMATION CONTAINED ON THIS DRAWING IS PROPRIETARY TO
 ST. LOUIS MUSIC, INC

| | | |
|-----------------------------|------------------------|---|
| Signatures: | Date: | 11880 Borman Drive, St. Louis, MO 63146 |
| Drawn: REM | 10/06/03 | |
| Checked: | - | First Used On: - |
| Released: | | |
| Plot Date: Mon Sep 27, 2004 | Drawing Size: C | Drawing Title: PWA - POWER AMPLIFIER |
| Plot Time: 08:02:30 | Drawing Type: ASSEMBLY | Drawing Number: 07-388 |
| Tolerance: | Class Code: NONE | Sheet 1 of 1 |



EXPORT WIRING

* FOR "230V" VERSIONS REVERSE THE BLUE/WHITE AND THE BLACK TRANSFORMER LEAD.

| DESIGNATOR | PART # | DESCRIPTION |
|------------|--------|-------------|
|------------|--------|-------------|

| | | |
|------|-----------|---------------------|
| C1 | 10-332-01 | .0033 UL |
| C2 | 10-332-01 | .0033 UL |
| FH1 | 23-346-01 | FUSE HOLDER |
| J1 | 17-604-01 | LINE-CORD CONNECTOR |
| J2 | 51-149-01 | GND LUG |
| J3 | | NOT USED |
| J4 | 17-836-01 | .250 TAB |
| J5 | 17-836-01 | .250 TAB |
| J6 | 17-836-01 | .250 TAB |
| J7 | 17-836-01 | .250 TAB |
| J8 | 17-836-01 | .250 TAB |
| J9 | 17-836-01 | .250 TAB |
| J10 | 17-836-01 | .250 TAB |
| J11 | 17-836-01 | .250 TAB |
| J12 | 17-836-01 | .250 TAB |
| J13 | 17-836-01 | .250 TAB |
| J14 | 17-836-01 | .250 TAB |
| ICL1 | 73-501-10 | 10a |

| QTY | MISC. | |
|-----|-----------|----------------------|
| 2 | 30-638-53 | 6-32 x 3/8" SCREW |
| 2 | 30-700-01 | 6-32 HEX KEPNUT ASSY |
| 1 | 06A327-01 | PC BOARD |

| REV | DATE | BY | CHK'D | DESCRIPTION |
|-----|----------|-----|-------|--|
| 3 | 6-22-98 | RLB | | ADDED ICL1 TO P/L.PCB AND SCHEMATIC PER ECO 980346 |
| 2 | 09/10/97 | SWR | | ADDED J14. PER ECO #970424. |
| 1 | 02/03/94 | SWR | | ADDED VOLTAGE FOR DOMESTIC TRANSFORMER PER ECO #E039 |

| | | |
|------------------|----------|--|
| SIGNATURES: | DATE: | 11880 BORMAN DR. ST. LOUIS, MISSOURI 63146 |
| DRAWN: S.RADER | 11/12/93 | |
| CHK'D: GM | 07/01/98 | PROJECT NAME: |
| APP'D: GM | 07/01/98 | B-2/SVT-350 |
| ORIGINAL ISSUED: | 11/12/93 | DRAWING NAME: |
| PLOT DATE: | 07/02/98 | A.C. TERM. BD. PICT. |
| PLOT TIME: | 10:12:23 | DRAWING NO. 07P327-01 |
| FILE NAME: | 32701P3_ | REV 3_ |