

CRATE

ST. LOUIS MISSOURI, USA



VC-2110/2110R

Vintage Club Amplifiers



NEVER BEFORE HAS SO LARGE A SOUL
BEEN PUT INTO SO COMPACT A BODY!

Owner's Manual



VC-2110/2110R Vintage Club Amplifiers



CONGRATULATIONS!

You are now the proud owner of one of the newest and most versatile Vintage tube amplifiers available. Crate's VC-2110/2110R Vintage Club amplifiers offer simple operation, classic looks and more sound than you ever imagined possible from such a compact package.

Each Crate Vintage Club amplifier is made with pride in the U.S.A. using the finest components available. Each amplifier is rigorously tested by skilled technicians and musicians to ensure that your amplifier is its best!

Features:

- Single channel, ALL-TUBE operation, 2/3 12AX7, 2 EL84
- Midrange "punch" switch for increased impact and tone
- Headphones jack for private practice sessions
- External speaker jack for plugging into a **16 ohm** cabinet
- Specially designed "vintage" sounding speaker
- Durable cream colored Tolex covering and vintage cosmetics

Thanks for choosing **CRATE!**

Controls and Functions:

INPUT: Plug your axe in here. Use a shielded instrument patch cords for this.

TREBLE: Adjust the high-freq level here. A big boost will produce searing highs that cut right through you. Use lower settings for a more "bluesy" sound.

MID: Adjust the midrange level here. A big boost of mid-freqs really thickens up the sound from your guitar.

BASS: Adjust the low-freq level here. You can get a surprising amount of bottom end out of the specially-designed Crate speaker.

REVERB: Adjust the amount of reverb effect here. For no effect ("dry") keep the control at 0. As you bring the control around toward 10, the amount of reverb increases. (VC-2110R only)

ON: In the up position, with the "I" pressed in, the amp is alive. The switch glows red when the power's on. Give the amp about 30 seconds to warm up after you turn it on: it's a real tube amplifier!

GAIN: Think of this as your thermostat: the further up you turn it, the hotter it's gonna get. Use this along with the Level control and the volume on your guitar for a wide variety of shades of gain and texture.

MID BOOST: For a whole lotta midrange punch, press this button in. It's like feeding steroids to a bull.

LEVEL: Adjust the overall output level here. When playing clean, the Gain will be set low, so crank this up. When playing dirty, the Gain will be up so you may want to bring this down.

HEADPHONES: For a private practice session, plug in a pair of stereo headphones here. (This disconnects the internal speaker.) The headphone signal is **hot**: see caution below.

EXT. SPEAKER: To tap into an extension speaker cabinet, plug a speaker cable in here. This disconnects the internal speaker. **NOTE: YOU MUST USE A CABINET WITH A RATING OF 16 OHMS!**

AC LINE CORD: (Around back) Plug the business end of this heavy duty, **grounded** power cord into a **grounded** AC outlet of the correct voltage. **DO NOT** attempt to defeat the ground pin of this cord! (If you scored your amp outside of the United States, look at the serial number sticker on the bottom edge of the amp chassis for the proper voltage and current information.)

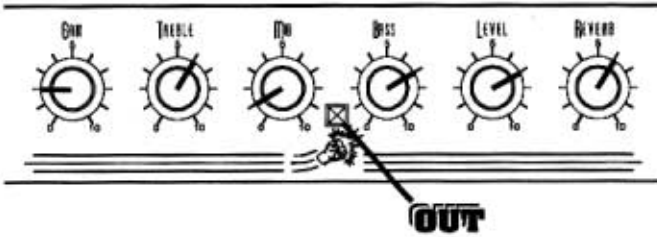
WARNING! CAUTION! HEY YOU!

- 1: THE HEADPHONES OUTPUT IS HOT: DON'T SET THE LEVEL CONTROL ABOVE 2 TO AVOID POSSIBLE HEARING DAMAGE!
- 2: TO AVOID HEARING AND HEADPHONE DAMAGE, NEVER PLUG HEADPHONES INTO THE EXT. SPEAKER JACK!

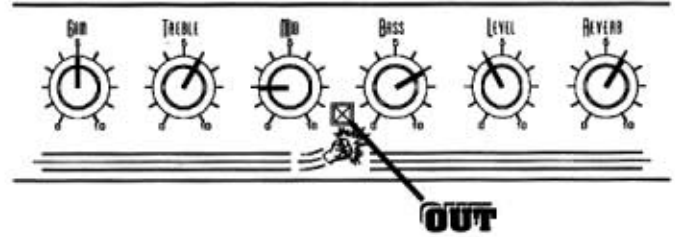


Some Suggested Settings:

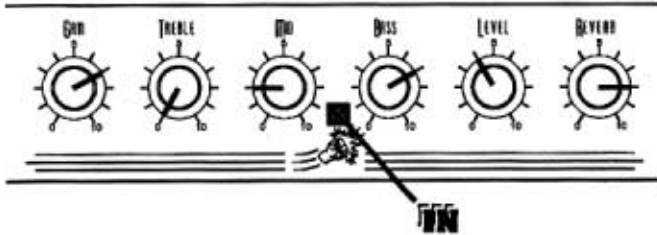
"CLEAN"



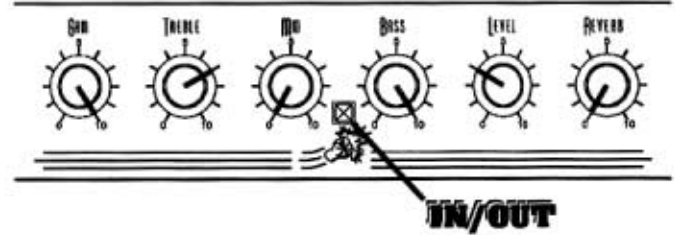
"DIRTY"



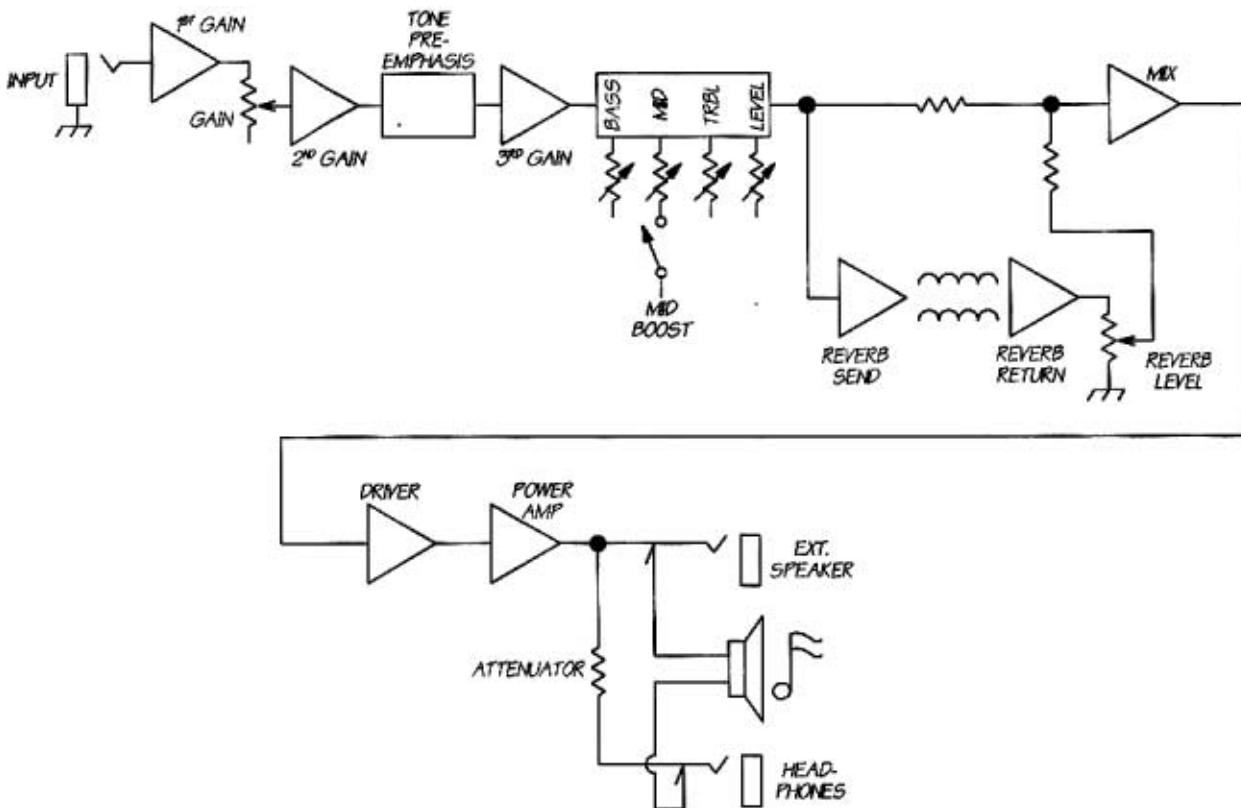
"FILTHY"



"SMUTTY"



System Block Diagram:





VC-2110/2110R

Vintage Club Amplifiers



Technical Specifications:

| | |
|-------------------------|---|
| OUTPUT POWER RATING | 15 W RMS Class A @ 5% THD, 16 ohm load, 120 VAC |
| INPUT IMPEDANCE | 1M ohm |
| MAXIMUM SIGNAL ACCEPTED | 2.8V peak-to-peak |
| SIGNAL TO NOISE RATIO | 58dB |
| GAIN | 90dB |
| TONE CONTROLS | Bass: +/-12dB @ 60Hz Midrange: +/-15dB @ 600Hz Mid Boost: +4dB @ 500Hz Treble: +/-8dB @ 4kHz |
| HEADPHONE OUT LEVEL | 318mV RMS w/47 ohm load @ 5V RMS speaker out into 16 ohms |
| TUBE TYPES | Preamp = (2) 12AX7 (VC-2110R=3) Power Amp = (2) EL84/6BQ5 |
| INTERNAL SPEAKER | 10" Crate 16 ohm, 20W, 1.5" voice coil, 30 oz magnet |
| POWER REQUIREMENTS | 100/120 VAC, 60Hz, 2A max. 220/240 VAC, 50Hz, 1A max. |
| SIZE AND WEIGHT | 16 1/4" X 16" X 9" 31 1/2 lbs |

Cleaning Instructions:

To keep this amplifier looking its best, avoid abrasive cleansers. Wipe the cabinet clean using a slightly dampened cloth. Never use brass cleaners on the hardware since they could damage their protective coatings.

| | | |
|---|--|--|
|  CAUTION RISK OF ELECTRIC SHOCK DO NOT OPEN |  ATTENTION RISQUE D'ELECTROCUTION NE PAS OUVRI |  VORSICHT ELEKTRISCHE SCHLAGEGFAHR NICHT OFFENEN |
| <small>CAUTION: TO REDUCE THE RISK OF ELECTRIC SHOCK, DO NOT REMOVE COVER. NO USER-SERVICEABLE PARTS INSIDE. REFER SERVICING TO QUALIFIED SERVICE PERSONNEL.</small> | <small>ATTENTION: POUR REDUIRE D'ELECTROCUTION NE PAS ENLEVER LE COUVERCLE. AUCUNE PIECE INTERNE N'EST REPRABLE PAR L'UTILISATEUR. POUR TOUTE REPARATION, S'ADRESSER A UN TECHNICIEN QUALIFIE.</small> | <small>VORSICHT: ZUR MINIMIERUNG ELEKTRISCHER SCHLAGEGFAHR NICHT DEN DECKEL ABENHMEN. INTERNE TEILE KONNEN NICHT VOM BENUTZER GEWARTET WERDEN. DIE WARTUNG IS QUALIFIZIERTEM WARTUNGSPERSONAL ZU UBERLASSEN.</small> |
| <p>THIS EQUIPMENT HAS BEEN DESIGNED AND ENGINEERED TO PROVIDE SAFE AND RELIABLE OPERATION. IN ORDER TO PROLONG THE LIFE OF THE UNIT AND PREVENT ACCIDENTAL DAMAGES OR INJURY, PLEASE FOLLOW THESE PRECAUTIONARY GUIDELINES:</p> <p>WARNING: TO REDUCE THE RISK OF ELECTRIC SHOCK, DO NOT OPEN CHASSIS; DO NOT DEFEAT OR REMOVE THE GROUND PIN OF THE POWER CORD; CONNECT ONLY TO A PROPERLY GROUNDED AC POWER OUTLET.</p> <p>CAUTION: TO REDUCE THE RISK OF FIRE OR ELECTRIC SHOCK, DO NOT EXPOSE THIS EQUIPMENT TO RAIN OR MOISTURE.</p> <p>CAUTION: NO USER-SERVICEABLE PARTS INSIDE. REFER SERVICING TO QUALIFIED SERVICE PERSONNEL.</p> <p>CAUTION: THIS UNIT IS CAPABLE OF PRODUCING HIGH SOUND PRESSURE LEVELS. CONTINUED EXPOSURE TO HIGH SOUND PRESSURE LEVELS CAN CAUSE PERMANENT HEARING IMPAIRMENT OR LOSS. USER CAUTION IS ADVISED, AND EAR PROTECTION IS RECOMMENDED IF UNIT IS OPERATED AT HIGH VOLUME.</p> | | |
| <p>EXPLANATION OF GRAPHICAL SYMBOLS:  = "DANGEROUS VOLTAGE" / "DANGER HAUTE TENSION" / "GEFAHLICHE SPANNUNG"  = "IT IS NECESSARY FOR THE USER TO REFER TO THE INSTRUCTION MANUAL" / "REFEREZ-VOUS AU MANUAL D'UTILISATION" / "UNBEDINGT IN DER BEDIENUNGSANLEITUNG NACHSCHLAGEN"</p> | | |

Crate continually develops new products, as well as improves existing ones. For this reason, the specifications and information in this manual are subject to change without notice.

