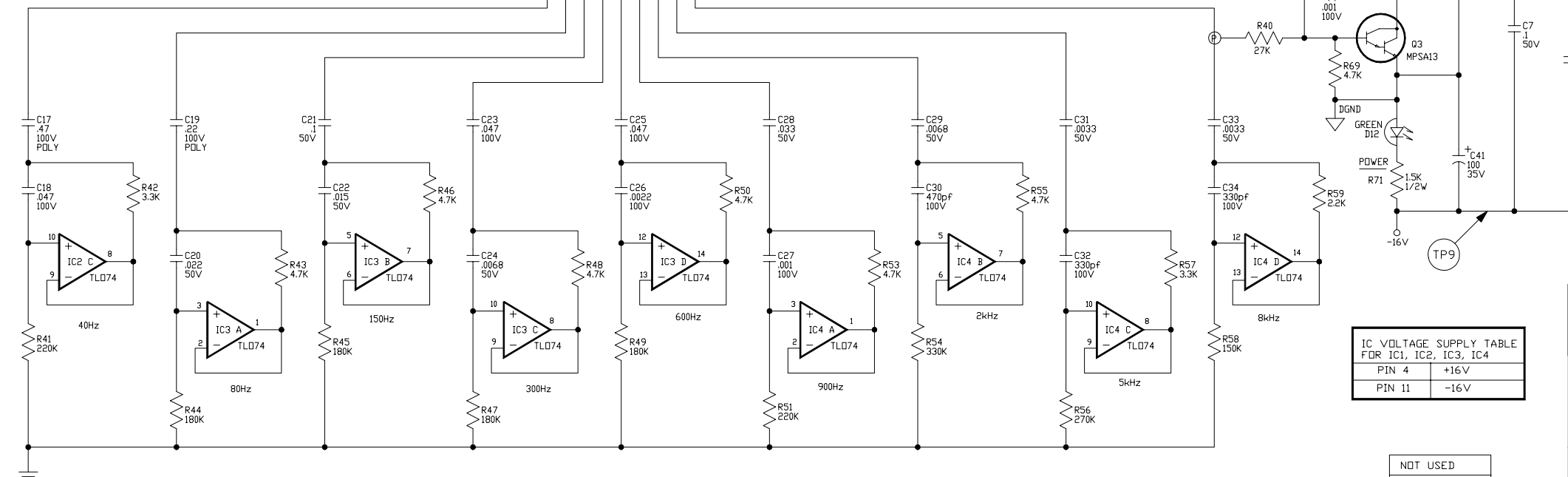


**B-2 PREAMP TEST POINTS**

INPUT SIGNAL 50mV P-P @ 1KHz  
GAIN & LEVEL @ '10'; EQ's @ '5'

| T.P. | AC VOLTAGE | DC VOLTAGE |
|------|------------|------------|
| 1    | 50mV p-p   | ---        |
| 2    | 970mV p-p  | ---        |
| 3    | 8.5V p-p   | ---        |
| 4    | 1.5V p-p   | ---        |
| 5    | 1.5V p-p   | ---        |
| 6    | 680mV p-p  | ---        |
| 7    | 1.3V p-p   | ---        |
| 8    | 5mV p-p    | +16V       |
| 9    | 5mV p-p    | -16V       |



|        |      |
|--------|------|
| PIN 4  | +16V |
| PIN 11 | -16V |

|                             |
|-----------------------------|
| D7,8,9                      |
| R5,8,9,19,20,52,60,61,62,63 |

**NOTES**

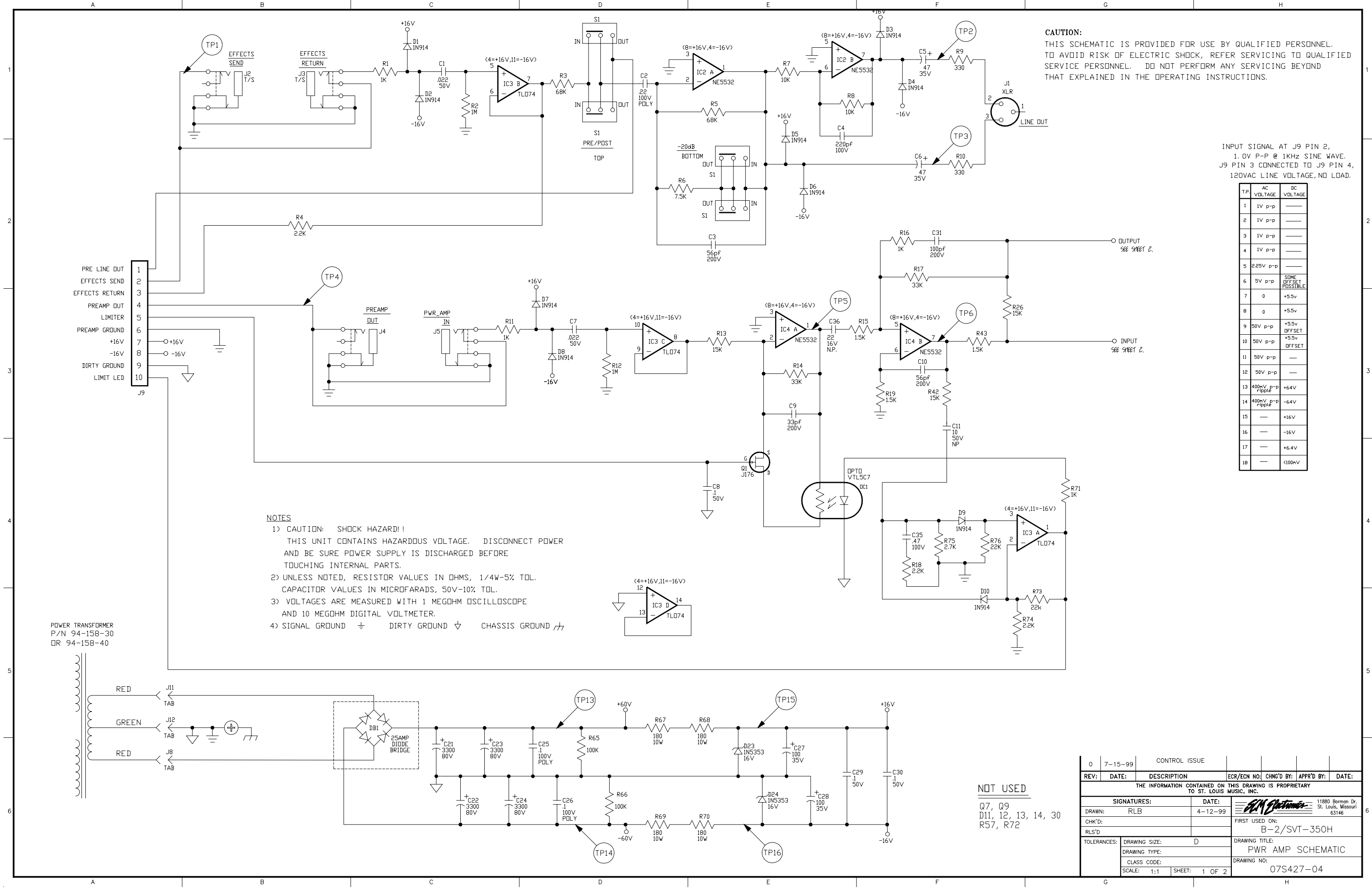
- CAUTION: SHOCK HAZARD!! THIS UNIT CONTAINS HAZARDOUS VOLTAGE. DISCONNECT POWER AND BE SURE POWER SUPPLY IS DISCHARGED BEFORE TOUCHING INTERNAL PARTS.
- UNLESS NOTED, RESISTOR VALUES IN OHMS, 1/4W-5% TOL. CAPACITOR VALUES IN MICROFARADS, 50V-10% TOL.
- VOLTAGES ARE MEASURED WITH 1 MEGOHM OSCILLOSCOPE AND 10 MEGOHM DIGITAL VOLTMETER.
- DIRTY GROUND ⚡ SIGNAL GROUND ⚡

**CAUTION:** THIS SCHEMATIC IS PROVIDED FOR USE BY QUALIFIED PERSONNEL. TO AVOID RISK OF ELECTRIC SHOCK, REFER SERVICING TO QUALIFIED SERVICE PERSONNEL. DO NOT PERFORM ANY SERVICING BEYOND THAT EXPLAINED IN THE OPERATING INSTRUCTIONS.

| REV | DATE     | BY  | CHK'D | DESCRIPTION  |
|-----|----------|-----|-------|--|
| 6   |          |     |       |  |
| 5   | 6-11-98  | RLB |       | UPDATE TO AGREE WITH PICTORIAL PER ECO 970593                                |
| 4   | 08/29/96 | LMA |       | UPDATED REV TO REFLECT PIC CHANGE E960254                                    |
| 3   | 07/01/96 | SWR |       | ADDED SVT-350 TO TITLE BLOCK PER ECO #E950390.                               |
| 2   | 06/18/94 | LMA |       | REV CHG TO REFLECT JUMPER CHG PER E150                                       |
| 1   | 02/11/94 | SWR |       | CHANGED VALUE OF R7 & R37. CHANGED IC4 TO IC3 AND IC4 TO IC5. PER ECO #E054. |

|                    |          |                           |               |
|--------------------|----------|---------------------------|---------------|
| <b>SIGNATURES:</b> |          | <b>DATE:</b>              |               |
| DRAWN: REM         |          | 11/22/93                  |               |
| CHK'D:             |          |                           |               |
| APP'D:             |          |                           |               |
| ORIGINAL ISSUED:   | 11/22/93 | DRAWING NAME: B-2/SVT-350 |               |
| PLOT DATE:         | 06/11/98 | DRAWING NO. 07S535-01     |               |
| PLOT TIME:         | 13:58:14 | REV. 5                    |               |
| FILE NAME:         | 53501h5_ | SCALE: ~                  | SHEET: 1 OF 1 |

11880 BORMAN DR.  
ST. LOUIS, MISSOURI  
63146



**CAUTION:**  
 THIS SCHEMATIC IS PROVIDED FOR USE BY QUALIFIED PERSONNEL.  
 TO AVOID RISK OF ELECTRIC SHOCK, REFER SERVICING TO QUALIFIED  
 SERVICE PERSONNEL. DO NOT PERFORM ANY SERVICING BEYOND  
 THAT EXPLAINED IN THE OPERATING INSTRUCTIONS.

INPUT SIGNAL AT J9 PIN 2,  
 1.0V P-P @ 1KHZ SINE WAVE.  
 J9 PIN 3 CONNECTED TO J9 PIN 4,  
 120VAC LINE VOLTAGE, NO LOAD.

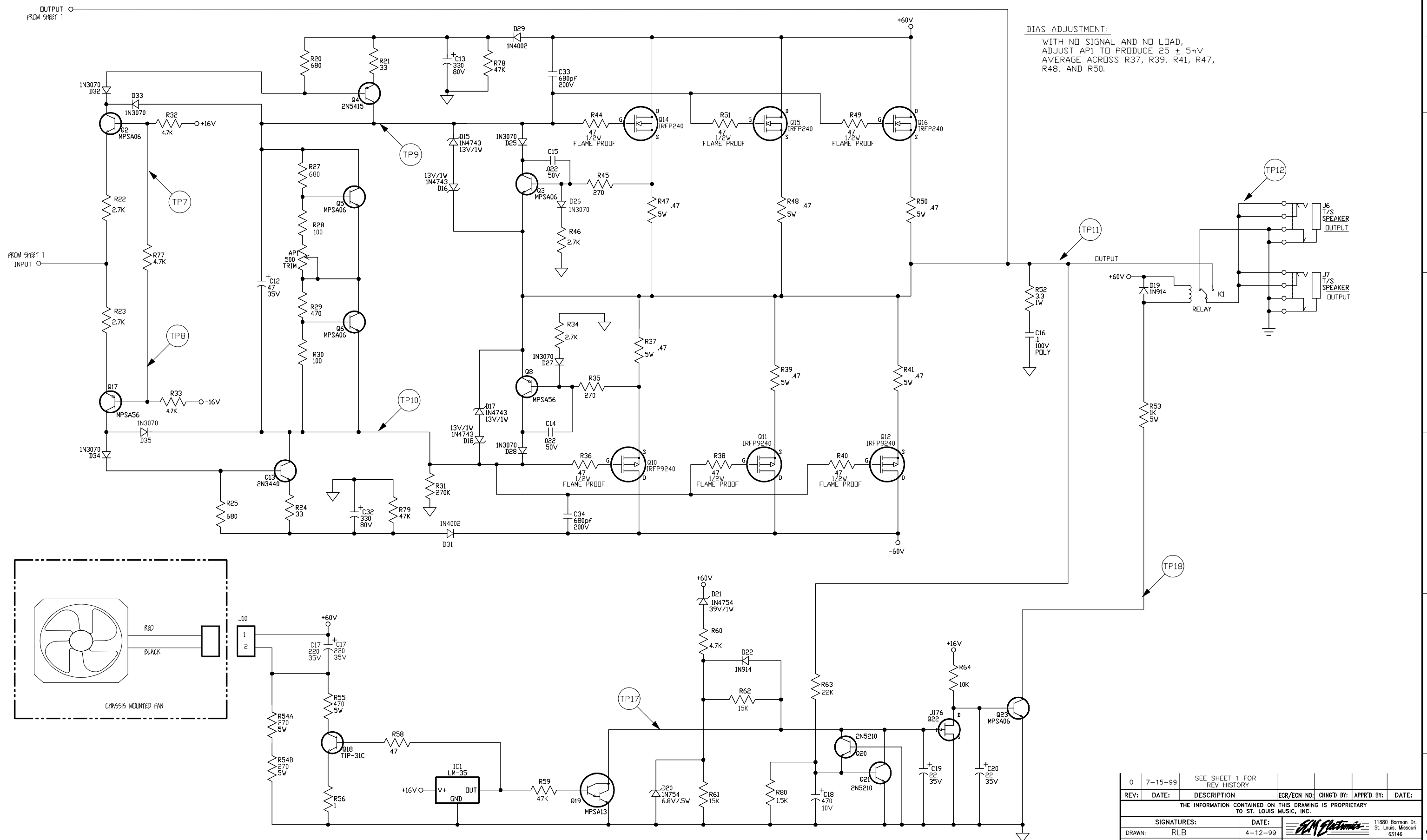
| T.P. | AC VOLTAGE       | DC VOLTAGE           |
|------|------------------|----------------------|
| 1    | 1V p-p           | —                    |
| 2    | 1V p-p           | —                    |
| 3    | 1V p-p           | —                    |
| 4    | 1V p-p           | —                    |
| 5    | 2.25V p-p        | —                    |
| 6    | 5V p-p           | SOME OFFSET POSSIBLE |
| 7    | 0                | +5.5V                |
| 8    | 0                | +5.5V                |
| 9    | 50V p-p          | +5.5V OFFSET         |
| 10   | 50V p-p          | +5.5V OFFSET         |
| 11   | 50V p-p          | —                    |
| 12   | 50V p-p          | —                    |
| 13   | 400mV p-p ripple | +6.4V                |
| 14   | 400mV p-p ripple | -6.4V                |
| 15   | —                | +16V                 |
| 16   | —                | -16V                 |
| 17   | —                | +6.4V                |
| 18   | —                | <100nV               |

- NOTES**
- 1) CAUTION: SHOCK HAZARD!! THIS UNIT CONTAINS HAZARDOUS VOLTAGE. DISCONNECT POWER AND BE SURE POWER SUPPLY IS DISCHARGED BEFORE TOUCHING INTERNAL PARTS.
  - 2) UNLESS NOTED, RESISTOR VALUES IN OHMS, 1/4W-5% TOL. CAPACITOR VALUES IN MICROFARADS, 50V-10% TOL.
  - 3) VOLTAGES ARE MEASURED WITH 1 MEGOHM OSCILLOSCOPE AND 10 MEGOHM DIGITAL VOLTMETER.
  - 4) SIGNAL GROUND ≠ DIRTY GROUND ∇ CHASSIS GROUND ⚡

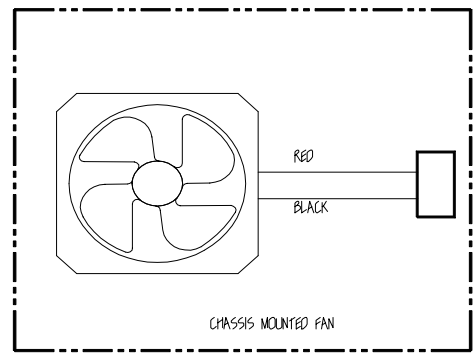
POWER TRANSFORMER  
 P/N 94-158-30  
 OR 94-158-40

**NOT USED**  
 Q7, Q9  
 D11, 12, 13, 14, 30  
 R57, R72

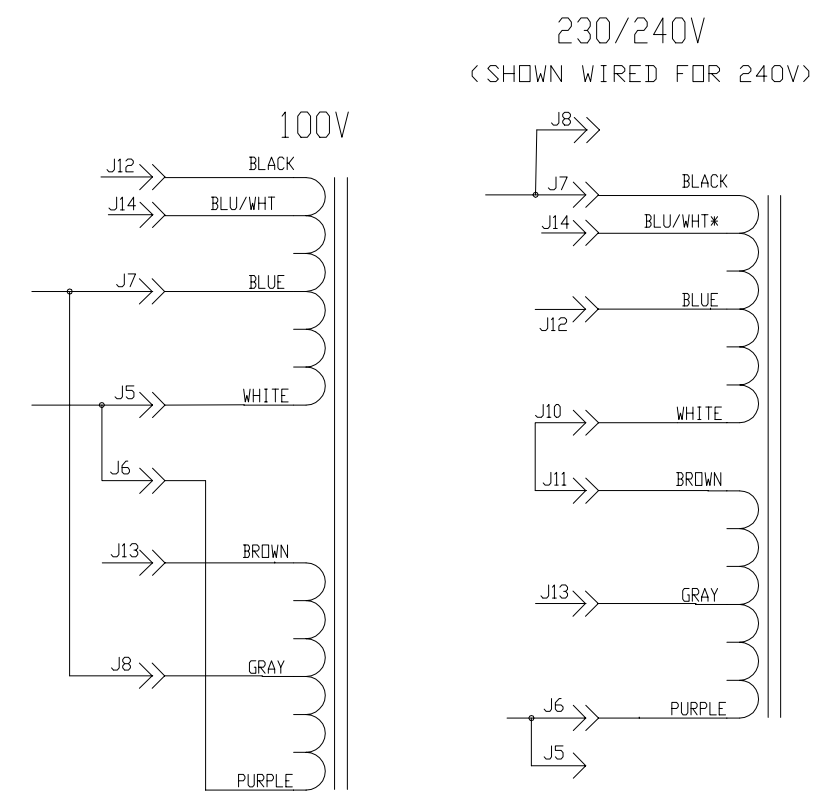
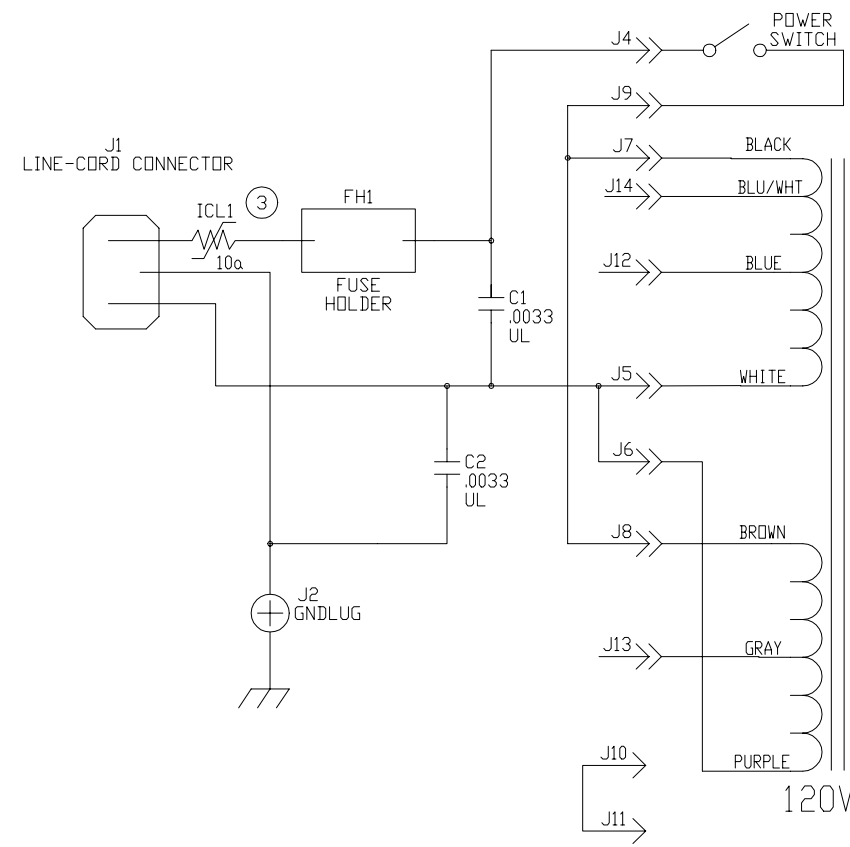
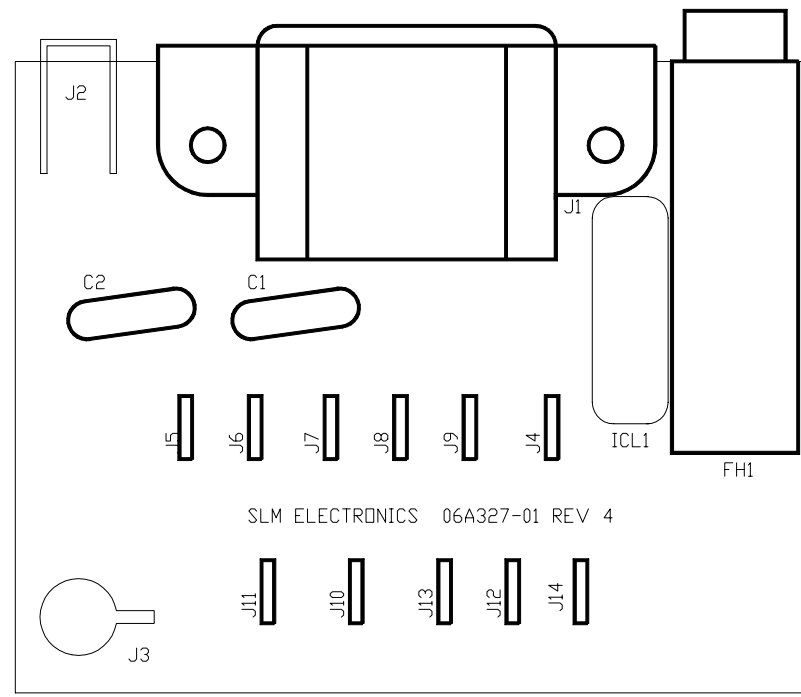
| REV:  | DATE:           | DESCRIPTION:   | ECR/ECN NO: | CHNG'D BY:                                 | APPR'D BY: | DATE: |
|---|-----------------|----------------|-------------|--|------------|-------|
| 0   | 7-15-99         | CONTROL ISSUE  |             |  |            |       |
| THE INFORMATION CONTAINED ON THIS DRAWING IS PROPRIETARY TO ST. LOUIS MUSIC, INC. |                 |                |             |  |            |       |
| SIGNATURES:   |                 | DATE:          |             | 11880 Borman Dr. St. Louis, Missouri 63146 |            |       |
| DRAWN: RLB  |                 | 4-12-99        |             |  |            |       |
| CHK'D:  |                 |                |             | FIRST USED ON: B-2/SVT-350H                |            |       |
| RLS'D:  |                 |                |             | DRAWING TITLE: PWR AMP SCHEMATIC           |            |       |
| TOLERANCES:   | DRAWING SIZE: D | DRAWING TITLE: |             | DRAWING NO: 07S427-04                      |            |       |
|   | DRAWING TYPE:   | CLASS CODE:    |             | SCALE: 1:1 SHEET: 1 OF 2                   |            |       |



BIAS ADJUSTMENT:  
 WITH NO SIGNAL AND NO LOAD,  
 ADJUST AP1 TO PRODUCE  $25 \pm 5\text{mV}$   
 AVERAGE ACROSS R37, R39, R41, R47,  
 R48, AND R50.



| 0   | 7-15-99 | SEE SHEET 1 FOR REV HISTORY |             |   |            |
|---|---------|-----------------------------|-------------|---|------------|
| REV:  | DATE:   | DESCRIPTION                 | ECR/ECN NO: | CHNG'D BY:                                    | APPR'D BY: |
| THE INFORMATION CONTAINED ON THIS DRAWING IS PROPRIETARY TO ST. LOUIS MUSIC, INC. |         |                             |             |   |            |
| SIGNATURES:   |         | DATE:                       |             | 11880 Borman Dr.<br>St. Louis, Missouri 63146 |            |
| DRAWN: RLB  |         | 4-12-99                     |             | FIRST USED ON:                                |            |
| CHK'D:  |         |                             |             | B-2/SVT-350H                                  |            |
| RLS'D:  |         |                             |             | DRAWING TITLE:                                |            |
| TOLERANCES:   |         | DRAWING SIZE: D             |             | DRAWING TYPE:                                 |            |
|   |         | DRAWING TYPE:               |             | PWR AMP SCHEMATIC                             |            |
|   |         | CLASS CODE:                 |             | DRAWING NO:                                   |            |
|   |         | SCALE: 1:1                  |             | SHEET: 2 OF 2                                 |            |
|   |         |                             |             | 07S427-04                                     |            |



EXPORT WIRING

\* FOR "230V" VERSIONS REVERSE THE BLUE/WHITE AND THE BLACK TRANSFORMER LEAD.

| DESIGNATOR | PART #    | DESCRIPTION         |
|------------|-----------|---------------------|
| C1         | 10-332-01 | .0033 UL            |
| C2         | 10-332-01 | .0033 UL            |
| FH1        | 23-346-01 | FUSE HOLDER         |
| J1         | 17-604-01 | LINE-CORD CONNECTOR |
| J2         | 51-149-01 | GNDLUG              |
| J3         | NOT USED  |                     |
| J4         | 17-836-01 | .250 TAB            |
| J5         | 17-836-01 | .250 TAB            |
| J6         | 17-836-01 | .250 TAB            |
| J7         | 17-836-01 | .250 TAB            |
| J8         | 17-836-01 | .250 TAB            |
| J9         | 17-836-01 | .250 TAB            |
| J10        | 17-836-01 | .250 TAB            |
| J11        | 17-836-01 | .250 TAB            |
| J12        | 17-836-01 | .250 TAB            |
| J13        | 17-836-01 | .250 TAB            |
| J14        | 17-836-01 | .250 TAB            |
| ICL1       | 73-501-10 | 10 $\Omega$         |

| QTY | MISC.     | DESCRIPTION          |
|-----|-----------|----------------------|
| 2   | 30-638-53 | 6-32 x 3/8" SCREW    |
| 2   | 30-700-01 | 6-32 HEX KEPNUT ASSY |
| 1   | 06A327-01 | PC BOARD             |

| REV | DATE     | BY  | CHK'D | DESCRIPTION  |
|-----|----------|-----|-------|--|
| 3   | 6-22-98  | RLB |       | ADDED ICL1 TO P/L.PCB AND SCHEMATIC PER ECO 980346   |
| 2   | 09/10/97 | SWR |       | ADDED J14. PER ECO #970424.                          |
| 1   | 02/03/94 | SWR |       | ADDED VOLTAGE FOR DOMESTIC TRANSFORMER PER ECO #E039 |

|                  |         |          |   |
|------------------|---------|----------|---|
| SIGNATURES:      |         | DATE:    | <br>1180 BORMAN DR.<br>ST. LOUIS, MISSOURI<br>63146 |
| DRAWN:           | S.RADER | 11/12/93 |   |
| CHK'D:           | GM      | 07/01/98 | PROJECT NAME:                                       |
| APP'D:           | GM      | 07/01/98 | B-2/SVT-350   |
| ORIGINAL ISSUED: |         | 11/12/93 | DRAWING NAME:                                       |
| PLOT DATE:       |         | 07/02/98 | A.C. TERM. BD. PICT.                                |
| PLOT TIME:       |         | 10:12:23 | DRAWING NO. 07P327-01                               |
| FILE NAME:       |         | 32701P3_ | REV 3_  |