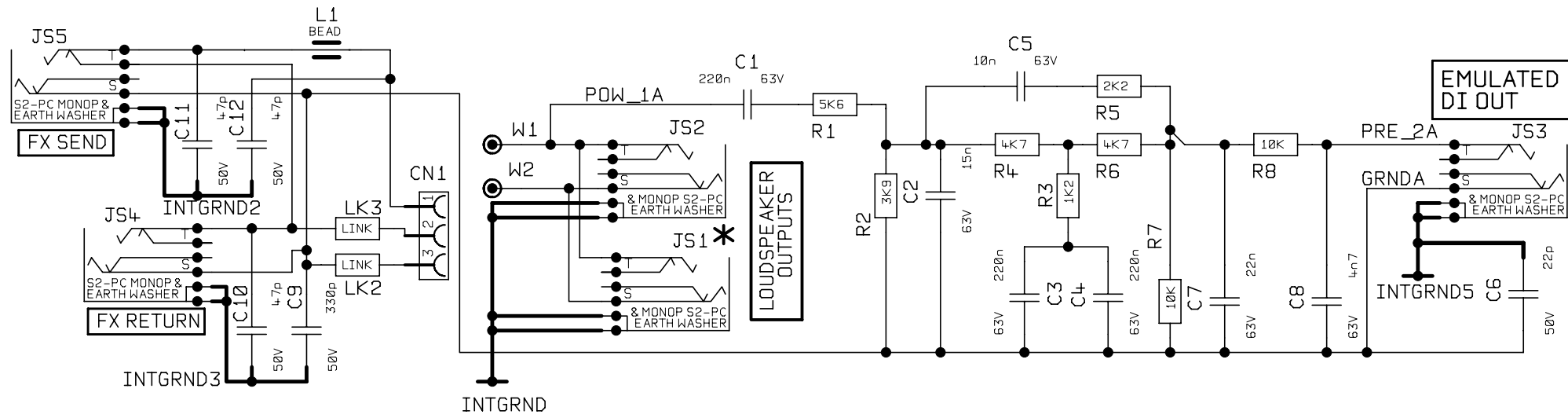
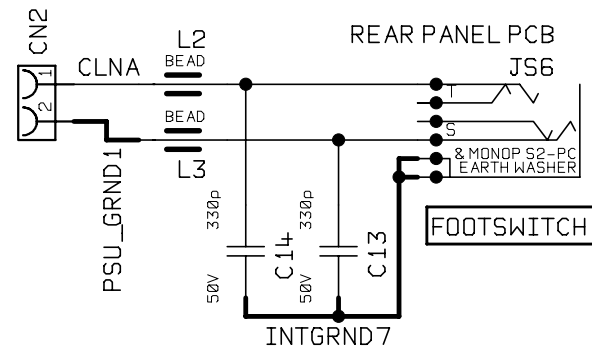


DWG.No. AVT50-61-02



\* NOTE:- JS1 NOT FITTED ON AVT50 COMBO



		ALL OTHER HOLES =		X = (THROUGH PLATED)		MATERIAL		DIMENSIONS IN		<p>© MARSHALL AMPLIFICATION PLC DENBIGH ROAD, BLETCHLEY, MILTON KEYNES, MK1 1DG. TEL (01908) 375411 FAX (01908) 376118</p>		TITLE JACKSOCKET PCB CIRCUIT DIAGRAM	
1	PRODUCTION	24/03/00	A	E	J	N	MATERIAL THICKNESS	TOLERANCE (UNLESS OTHERWISE STATED)				DWG.No	
A	PRE-PRODUCTION		B	F	K	P	DRAWN	DATE		AVT50		1	
ISS	ECO NUMBER	DATE	C	G	L	Q	CHECKED	DATE					
			D	H	M	R	APPROVED	DATE					