

**TEST POINT CONDITIONS**

1 CONDITION "A": CHANNEL A, GAIN ONE SELECTED, GAIN 1 @ 10, LOW & HIGH @ 5, LEVEL @ 10, 1kHz 40mV SINE WAVE INPUT

2 CONDITION "B": CHANNEL A, GAIN TWO SELECTED GAIN 2 @ 10, LOW & HIGH @ 5, LEVEL @ 10, 1kHz 40mV SINE WAVE INPUT

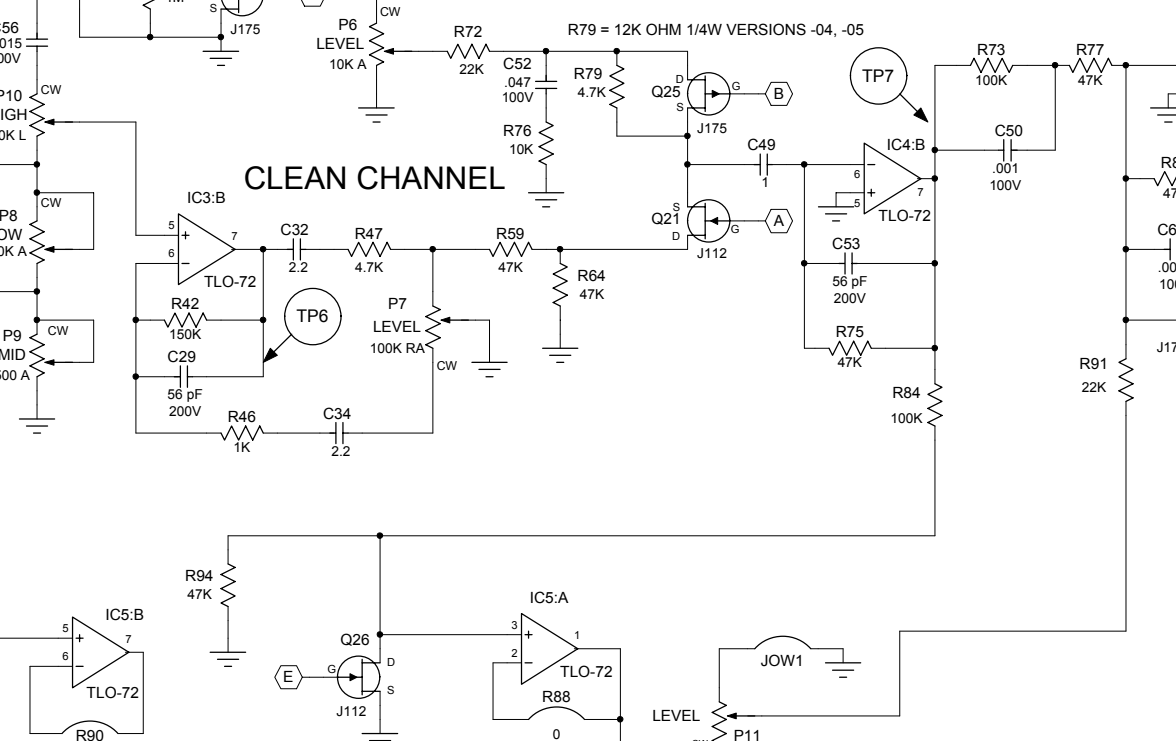
3 CONDITION "C": CHANNEL B, LEVEL @ 10, LOW, MID, HIGH @ 5 1kHz 130mV SINE WAVE INPUT

TP	CONDITION "A"	CONDITION "B"	CONDITION "C"
1	.48Vpp	.48Vpp	1.5Vpp
2	5.2Vpp	16Vpp	5.4Vpp
3	6.4Vpp	7Vpp	.55Vpp
4	5Vpp	5Vpp	—
5	12Vpp	14Vpp	—
6	2.8Vpp	2.8Vpp	9Vpp
7	6Vpp	8Vpp	6Vpp
8	6Vpp	8Vpp	6Vpp

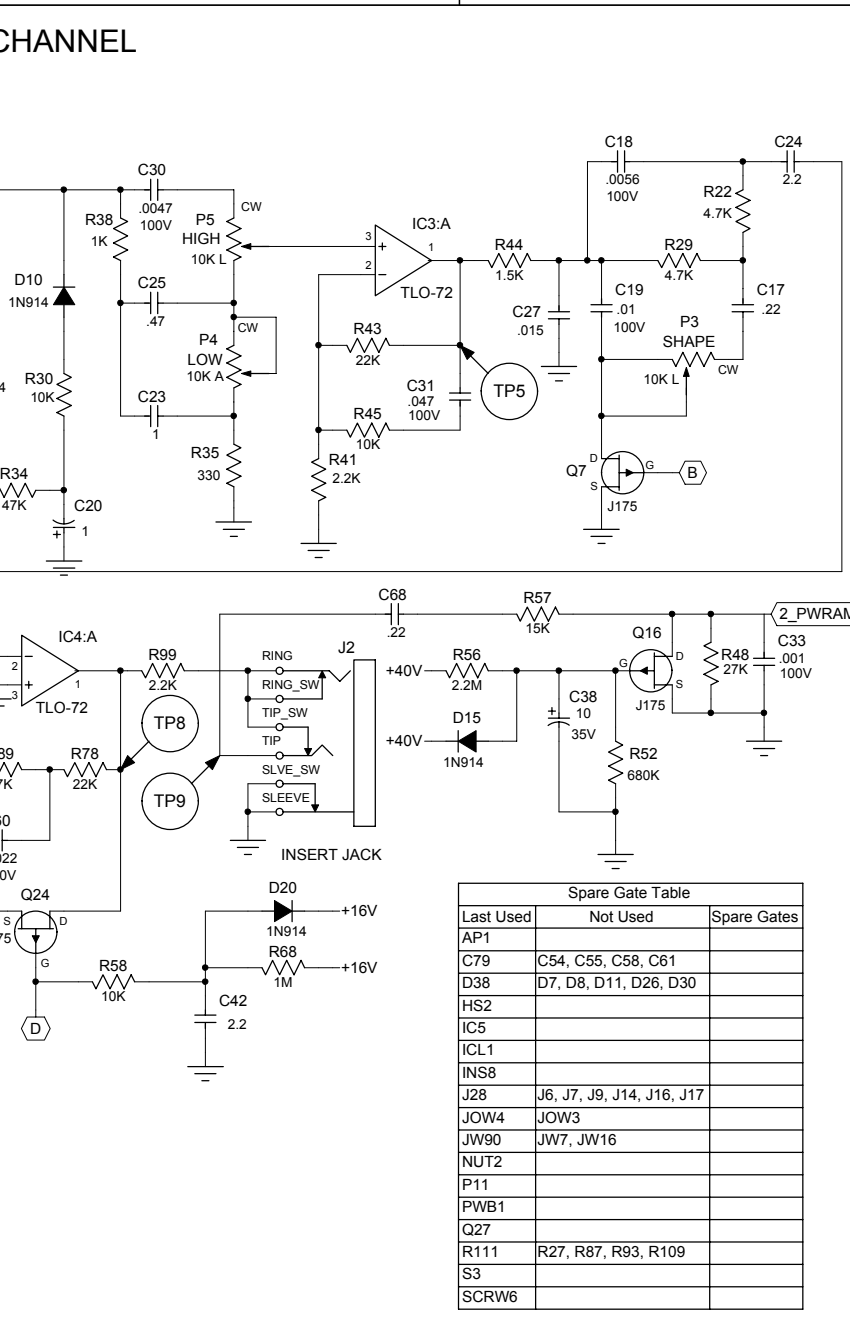
Power Table			
RefDes	Part Number	+16V	-16V
IC1	37-072-01	8	4
IC2	37-072-01	8	4
IC3	37-072-01	8	4
IC4	37-072-01	8	4
IC5	37-072-01	8	4

**CAUTION:**  
THIS SCHEMATIC IS PROVIDED FOR USE BY QUALIFIED PERSONNEL. TO AVOID RISK OF ELECTRIC SHOCK, REFER SERVICING TO QUALIFIED SERVICE PERSONNEL. DO NOT PERFORM ANY SERVICING BEYOND THAT EXPLAINED IN THE OPERATING INSTRUCTIONS.

**NOTES:**  
1) CAUTION: SHOCK HAZARD!! THIS UNIT CONTAINS HAZARDOUS VOLTAGE. DISCONNECT POWER AND BE SURE POWER SUPPLY IS DISCHARGED BEFORE TOUCHING INTERNAL PARTS.  
2) UNLESS NOTED, RESISTOR VALUES IN OHMS, 1/4W-5% TOL. CAPACITOR VALUES IN MICROFARADS, 50V-10% TOL.  
3) VOLTAGES ARE MEASURED WITH 1 MEGOHM OSCILLOSCOPE AND 10 MEGOHM DIGITAL VOLTMETER.



**DSP VERSION (USES 06A279-02 PWB)**  
 ASSY # 07-279-01 65 WATT VERSION  
 ASSY # 07-279-03 120 WATT VERSION  
 ASSY # 07-279-04 65W EURO VERSION  
 ASSY # 07-279-05 120W EURO VERSION  
 ASSY # 07-279-06 65W TUNER VERSION  
 ASSY # 07-279-07 120W TUNER VERSION



Spare Gate Table		
Last Used	Not Used	Spare Gates
AP1		
C79	C54, C55, C58, C61	
D38	D7, D8, D11, D26, D30	
HS2		
IC5		
ICL1		
INS8		
J28	J6, J7, J9, J14, J16, J17	
JOW4	JOW3	
JW90	JW7, JW16	
NUT2		
P11		
PWB1		
Q27		
R111	R27, R87, R93, R109	
S3		
SCRW6		

REV	Date	DESCRIPTION	Ecr(s)/Ecn(s)	Chgd By	Appvd by	Date
3	04/17/03	ADDED -06, -07 CONFIG	N01172	WFB		
2	3/7/02	ADDED -04, -05 ASSY	N00769	WFB		
1	10/24/01	PWB FROM -01 TO -02. ADDED TUNER CIRCUIT 1 CAPS TO DIODE BRIDGE. ASSY -02 TO -03 ADDED -01 ASSY.	N00679	REM		
0	3/12/01	CONTROL ISSUE				

THE INFORMATION CONTAINED ON THIS DRAWING IS PROPRIETARY TO ST. LOUIS MUSIC, INC.

**Signatures:** \_\_\_\_\_ **Date:** 8/11/00

Drawn: WFB

Checked: \_\_\_\_\_

Released: \_\_\_\_\_

Plot Date: Thu Apr 17, 2003 **Drawing Size:** C

Plot Time: 10:24:56 **Drawing Type:** Schematic

**Tolerance:** \_\_\_\_\_ **Class Code:** NONE

Sheet 1 of 2

**Drawing Title:** PWA - GUITAR AMP

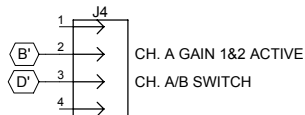
**Drawing Number:** 07S279-XX

TEST POINT CONDITIONS FOR POWER AMP:  
1kHz SINE WAVE INPUT INTO INSERT TIP, 4 OHM LOAD

TP	AC	DC
9	1Vpp	0V
10	.65Vpp	.23V
11	32.5Vpp	1.3V
12	32.5Vpp	-.06V
13	30Vpp	0V
14	1.5Vpp RIPPLE	35V
15	1.5Vpp RIPPLE	-35V
16	.5Vpp RIPPLE	10V

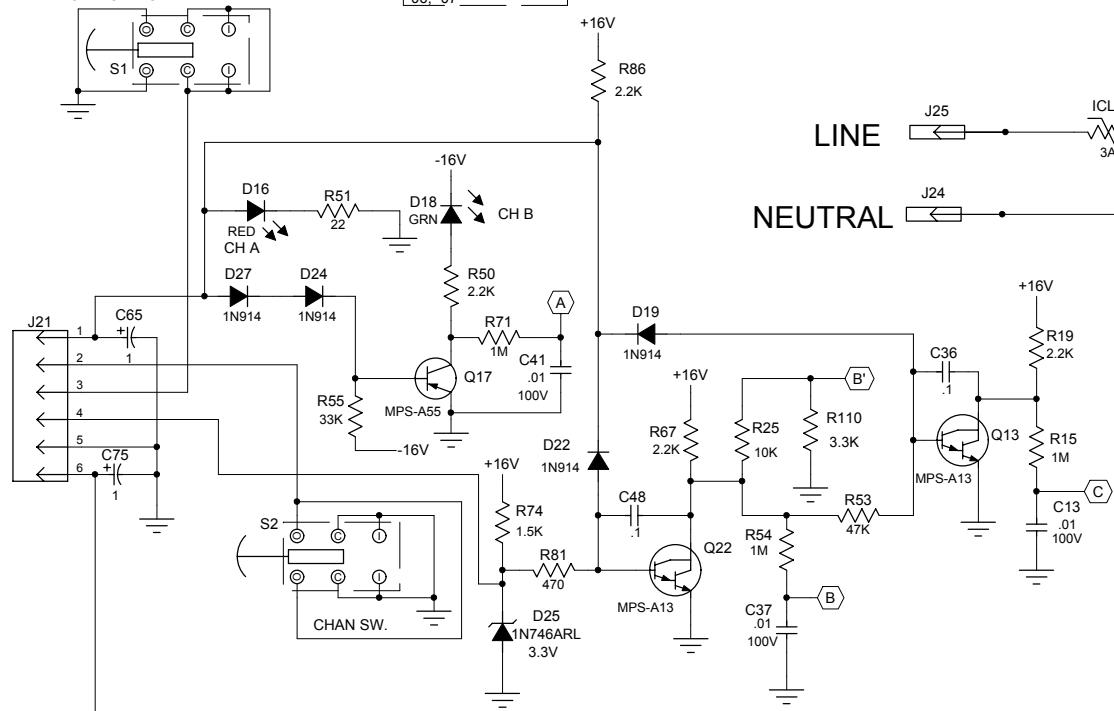
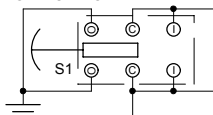
SWITCHING LOGIC

	A	B	C
CH A GAIN 1	-10V	+10V	0V
CH A GAIN 2	-10V	0V	+10V
CH B CLEAN	0V	+10V	0V OR +10V



DSP VERSION  
ASSY# 07-279-02

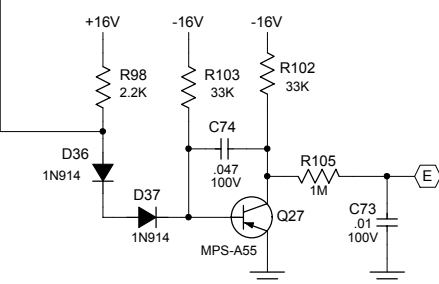
GAIN SELECT



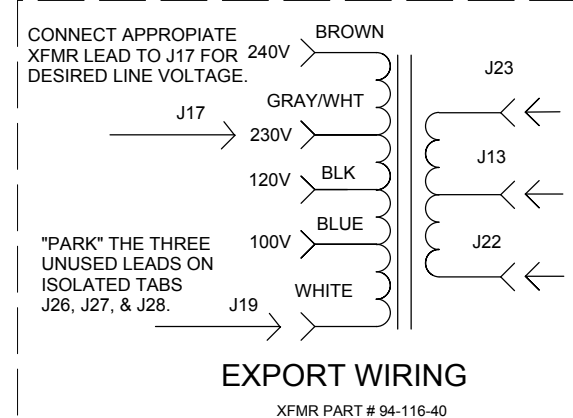
CAUTION:  
THIS SCHEMATIC IS PROVIDED FOR USE BY QUALIFIED PERSONNEL.  
TO AVOID RISK OF ELECTRIC SHOCK, REFER SERVICING TO QUALIFIED  
SERVICE PERSONNEL. DO NOT PERFORM ANY SERVICING BEYOND  
THAT EXPLAINED IN THE OPERATING INSTRUCTIONS.

- NOTES:
- 1) CAUTION: SHOCK HAZARD!!  
THIS UNIT CONTAINS HAZARDOUS VOLTAGE. DISCONNECT POWER  
AND BE SURE POWER SUPPLY IS DISCHARGED BEFORE  
TOUCHING INTERNAL PARTS.
  - 2) UNLESS NOTED, RESISTOR VALUES IN OHMS, 1/4W-5% TOL.  
CAPACITOR VALUES IN MICROFARADS, 50V-10% TOL.
  - 3) VOLTAGES ARE MEASURED WITH 1 MEGOHM OSCILLOSCOPE  
AND 10 MEGOHM DIGITAL VOLTMETER.

LINE  
NEUTRAL



DSP VERSION (USES 06A279-02 PWB) :  
ASSY # 07-279-01 65 WATT VERSION  
ASSY# 07-279-03 120 WATT VERSION  
ASSY# 07-279-04 65W EURO VERSION  
ASSY# 07-279-05 120W EURO VERSION  
ASSY# 07-279-06 65W TUNER VERSION  
ASSY# 07-279-07 120W TUNER VERSION



REV	Date	DESCRIPTION	Ecr(s)/Ecn(s)	Chgd By	Appvd by	Date
3	04/17/03	ADDED -06, -07 CONFIG	N01172	WFB		
2	3/7/02	ADDED -04, -05 ASSY	N00769	WFB		
1	10/24/01	PWB FROM -01 TO -02; ADDED TUNER CIRCUIT .1 CAPS TO DIODE BRIDGE. ASSY -02 TO -03 ADDED -01 ASSY.	N00679	REM		
0	3/12/01	CONTROL ISSUE				

REV	Date	DESCRIPTION	Ecr(s)/Ecn(s)	Chgd By	Appvd by	Date
THE INFORMATION CONTAINED ON THIS DRAWING IS PROPRIETARY TO ST. LOUIS MUSIC, INC.						
Signatures:		Date:				
Drawn:	WFB	8/11/00	11880 Borman Drive, St. Louis, MO 63146			
Checked:			First Used On:			
Released:						
Plot Date: Thu Apr 17, 2003	Drawing Size: C	Drawing Title: PWA - GUITAR AMP				
Plot Time: 18:24:56	Drawing Type: Schematic	Drawing Number: 07S279-XX				
Tolerance:	Class Code: NONE	Sheet 2 of 2				