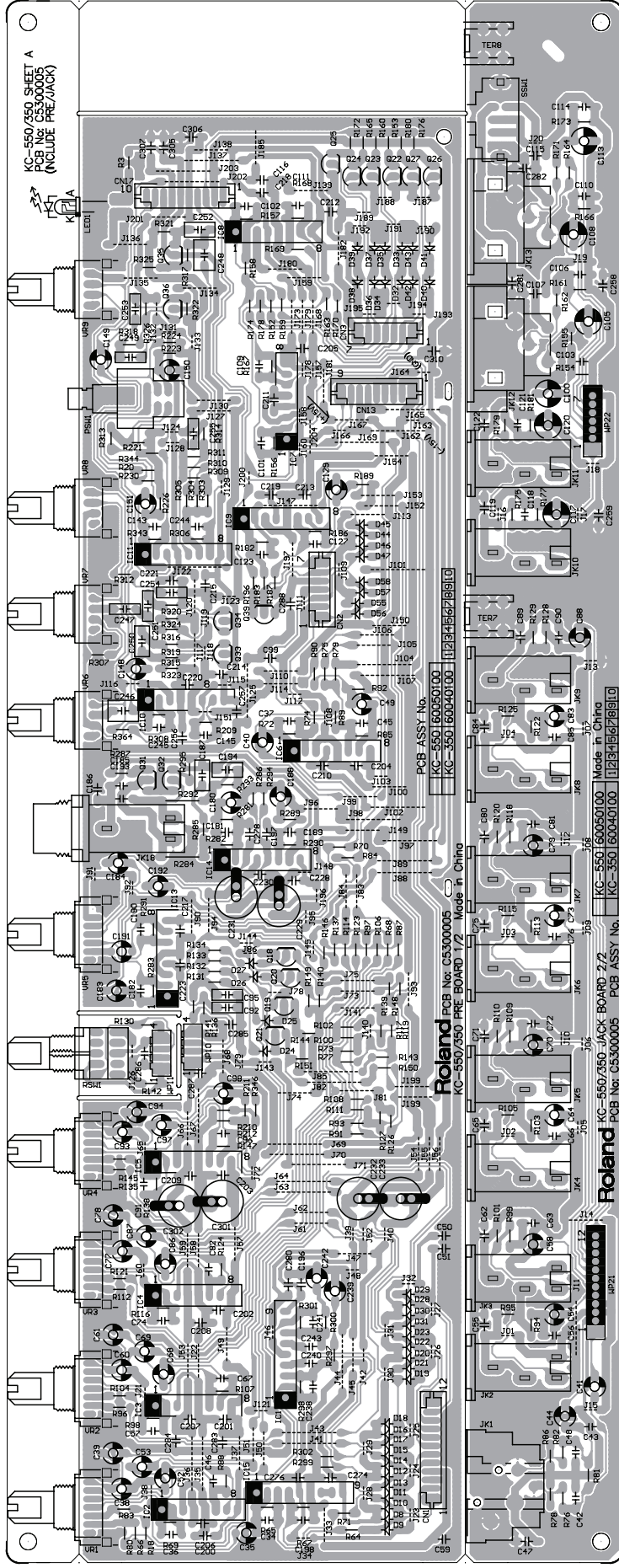
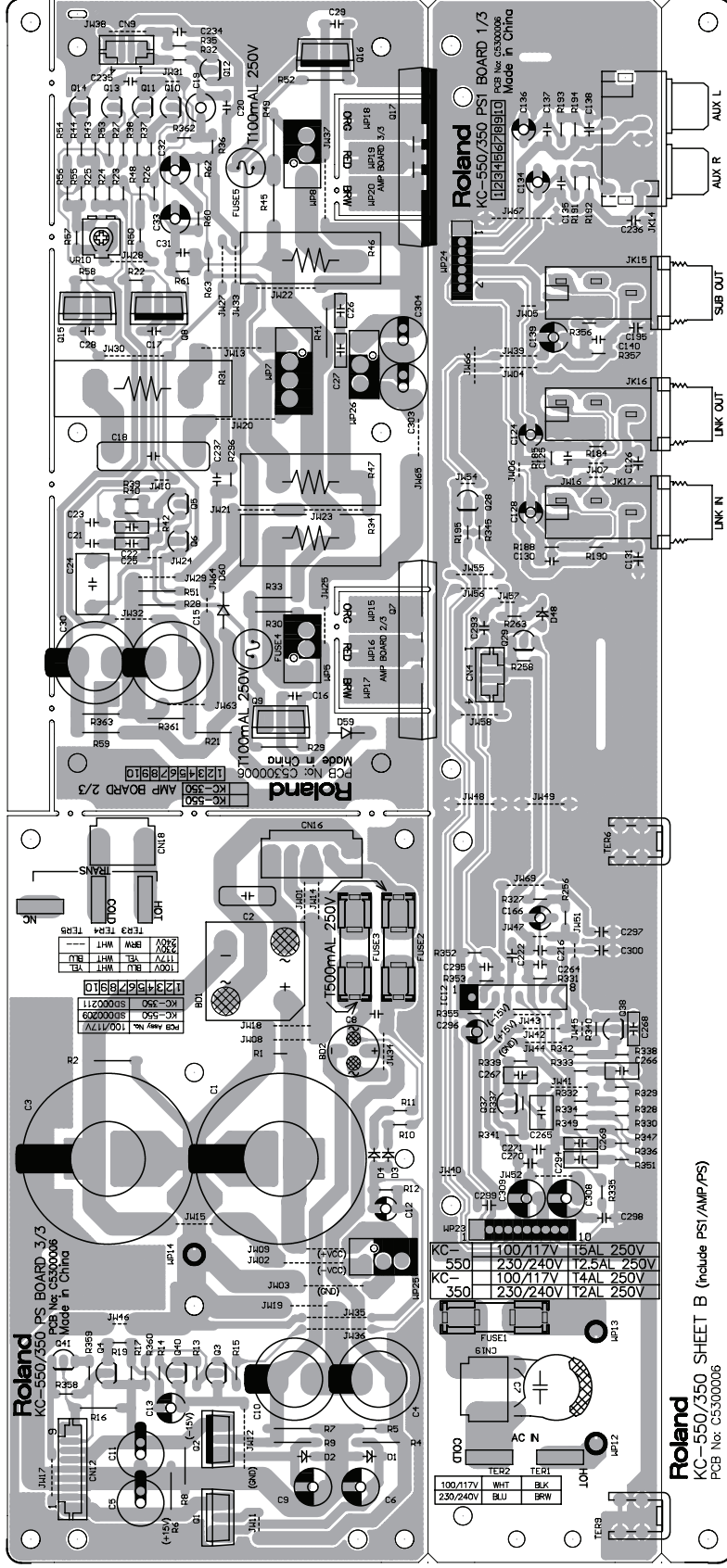


CIRCUIT BOARD (SHEET A BOARD)



CIRCUIT BOARD (SHEET B BOARD)



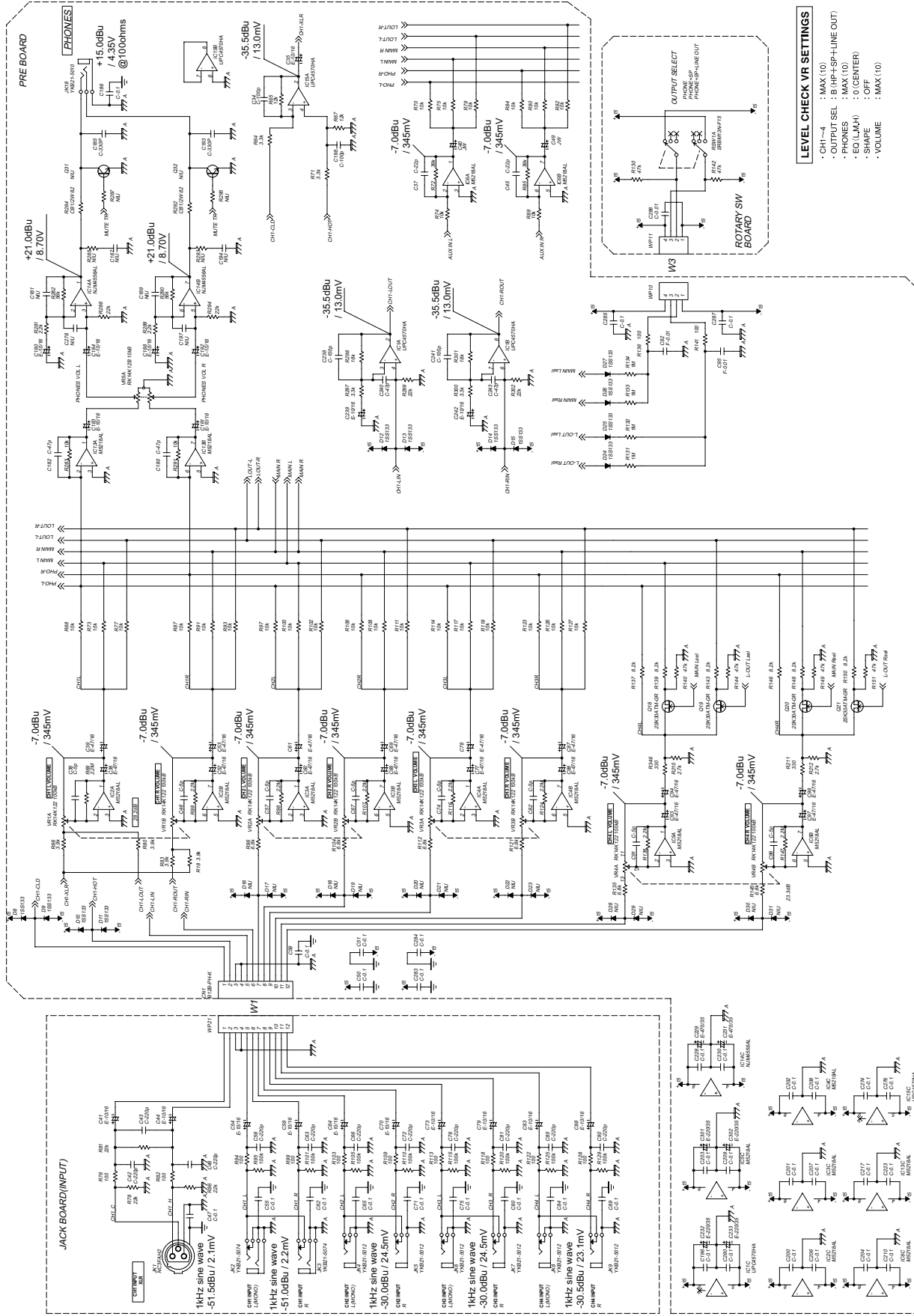
Roland
 KC-550 PS BOARD 3/3
 PCB No. C5300006
 Made in China
 12345678910

Roland
 KC-350 PS BOARD 2/3
 PCB No. C5300006
 Made in China
 12345678910

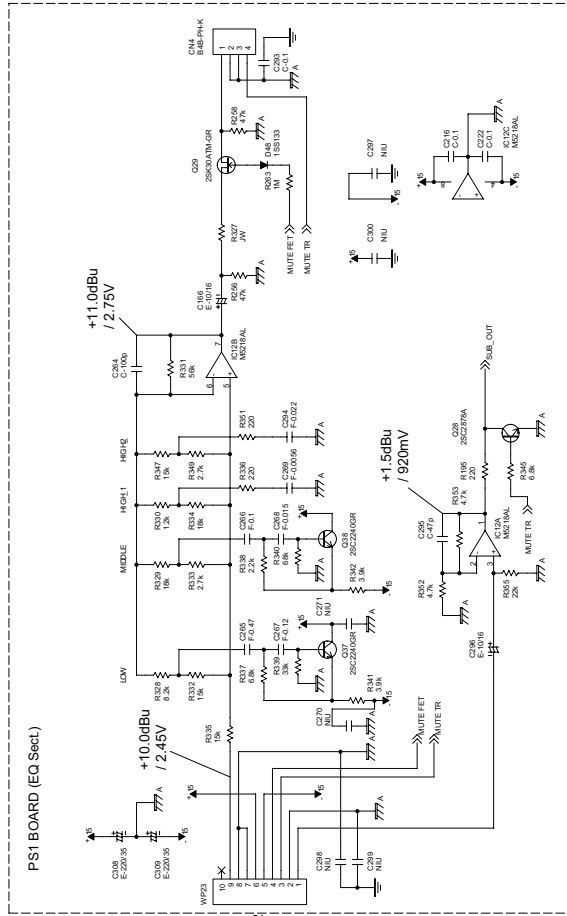
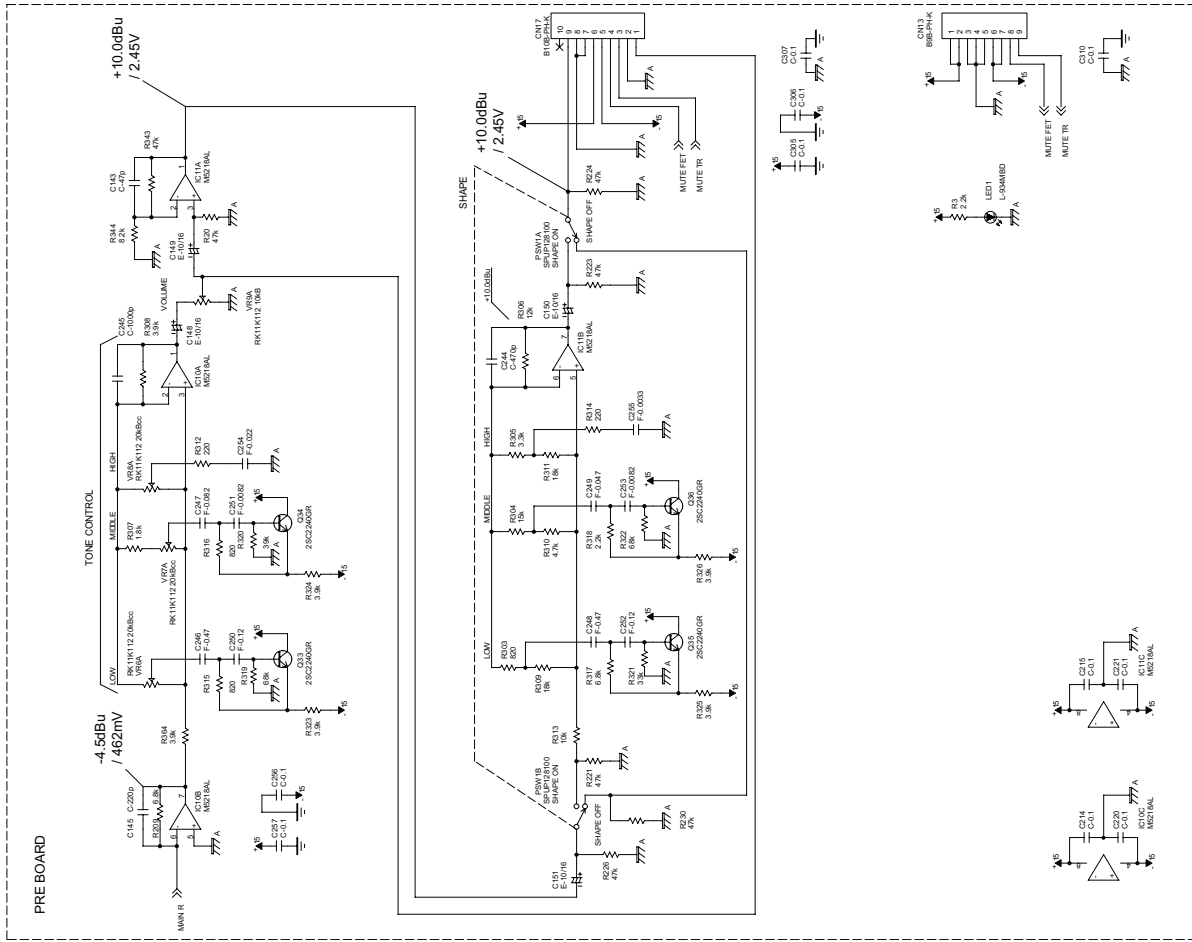
KC-	100/117V	T5AL	250V
550	230/240V	T2.5AL	250V
KC-	100/117V	T4AL	250V
350	230/240V	T2AL	250V

Roland
 KC-550/350 SHEET B (include PSI/AMP/PS)
 PCB No. C5300006

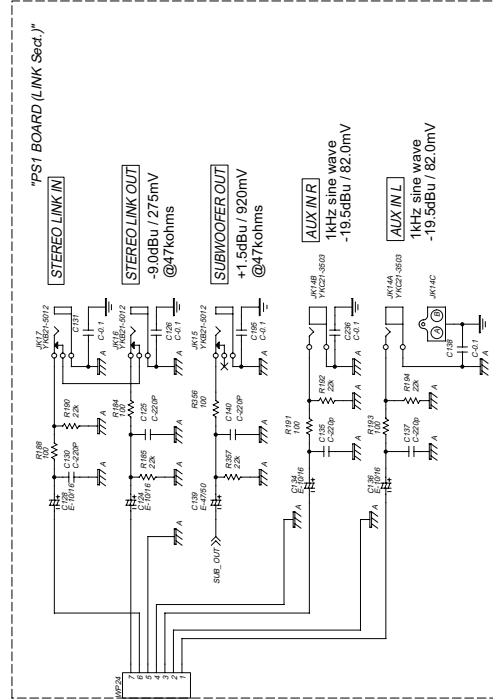
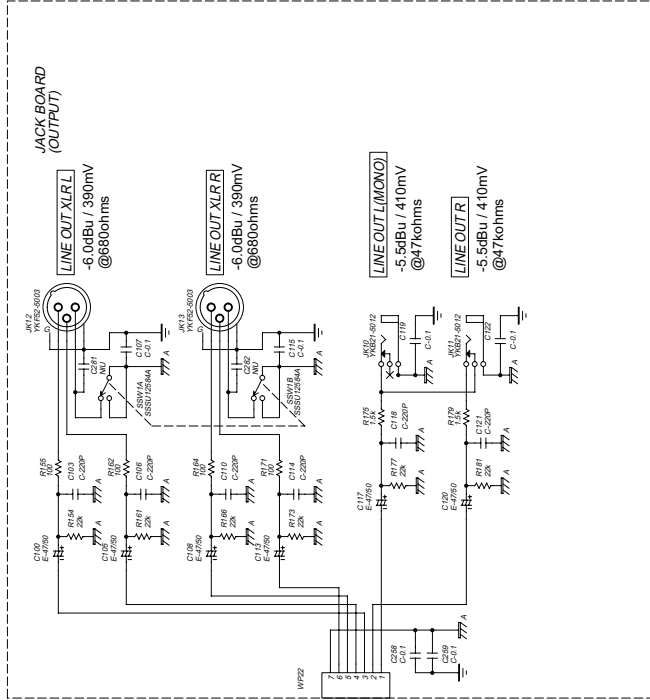
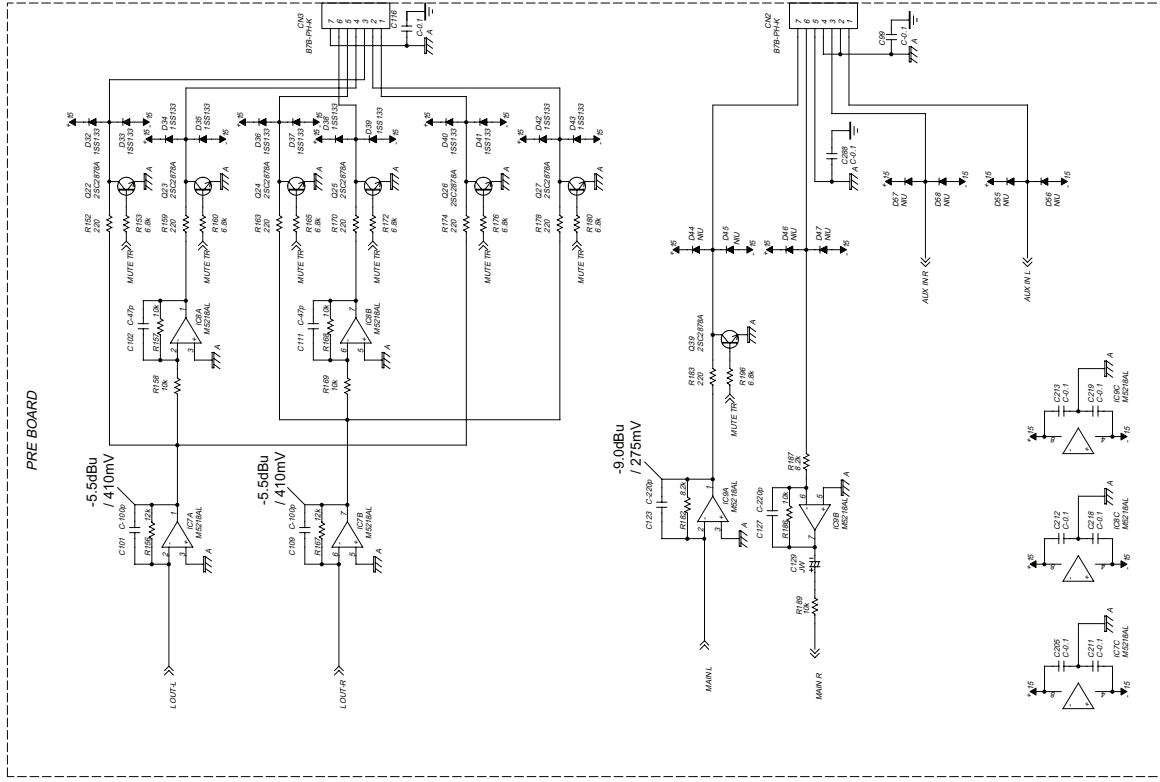
KC-550 CIRCUIT DIAGRAM (1/4)



KC-550 CIRCUIT DIAGRAM (2/4)

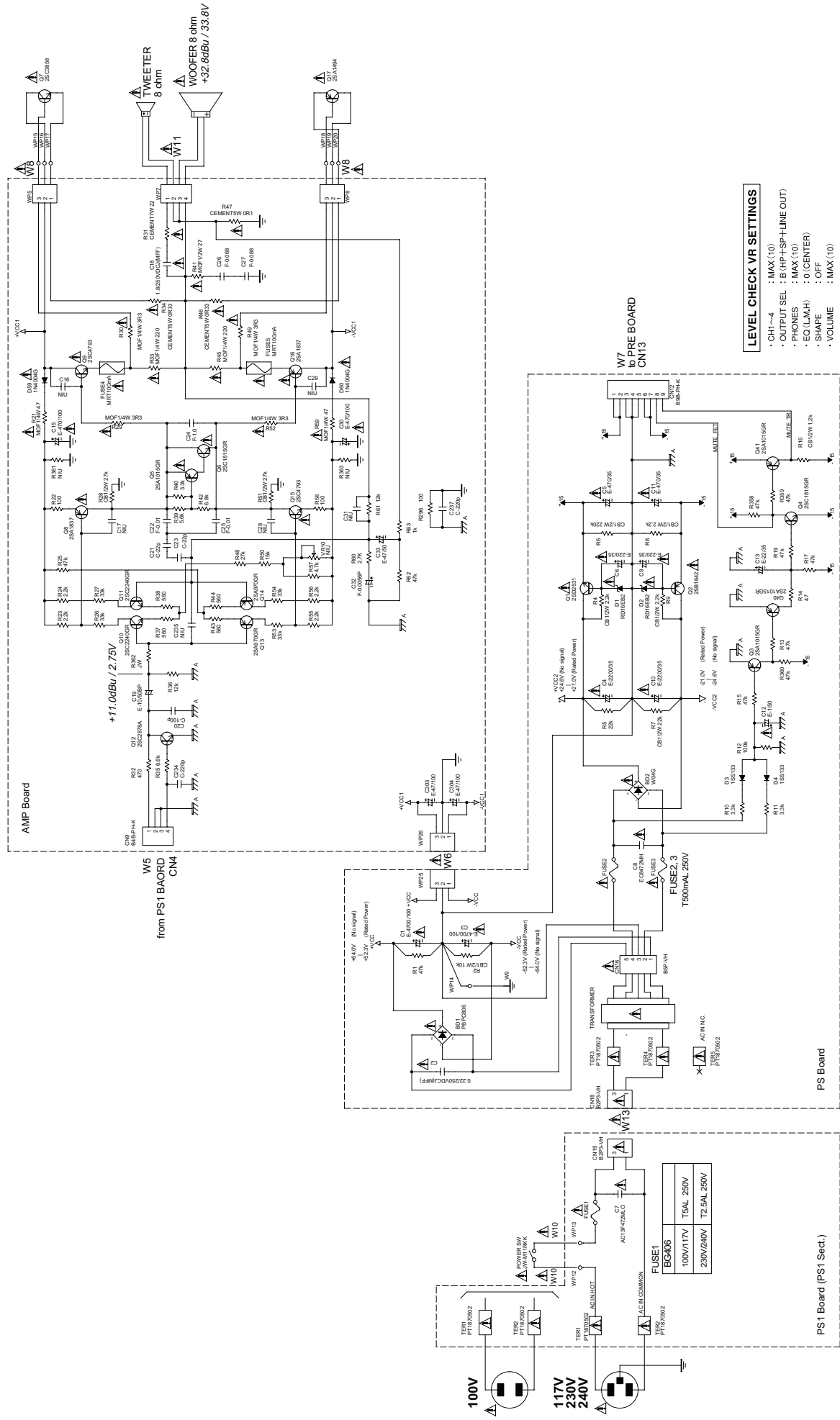


KC-550 CIRCUIT DIAGRAM (3/4)



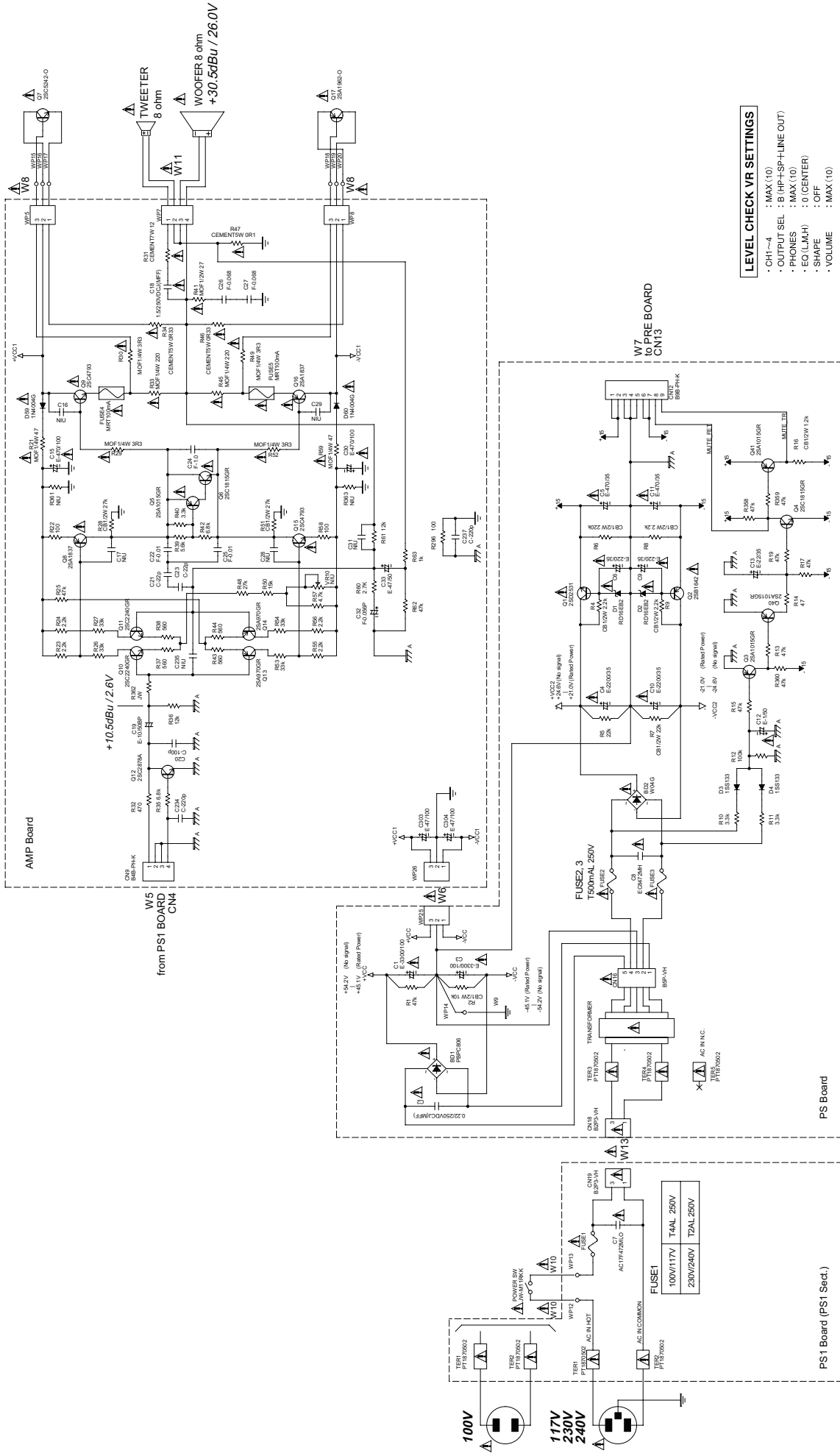
- LEVEL CHECK VR SETTINGS**
- CH1~4 : MAX (10)
 - OUTPUT SEL : B (HP+SP+LINE OUT)
 - PHONES : MAX (10)
 - EQ (L,M,H) : 0 (CENTER)
 - SHAPE : OFF
 - VOLUME : MAX (10)

KC-550 CIRCUIT DIAGRAM (4/4)

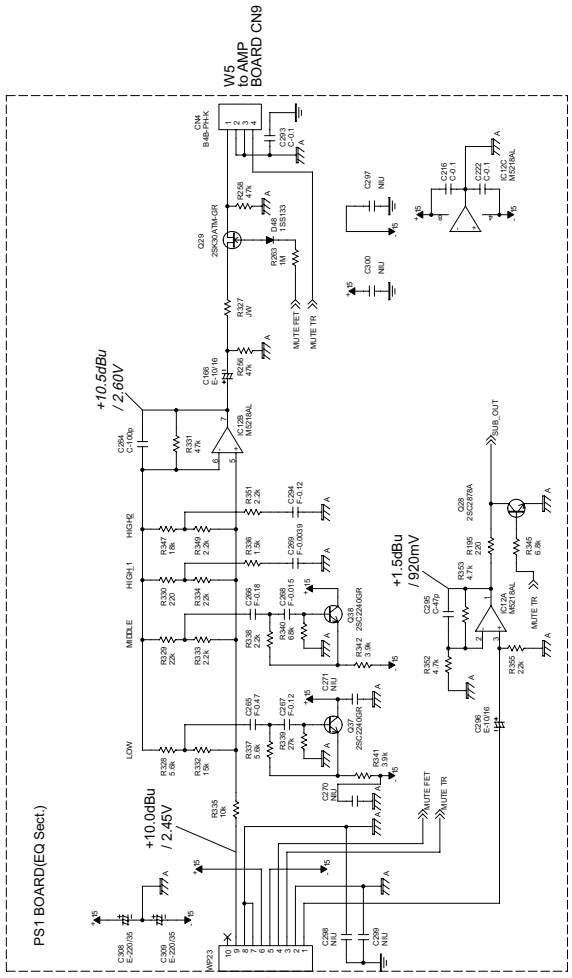
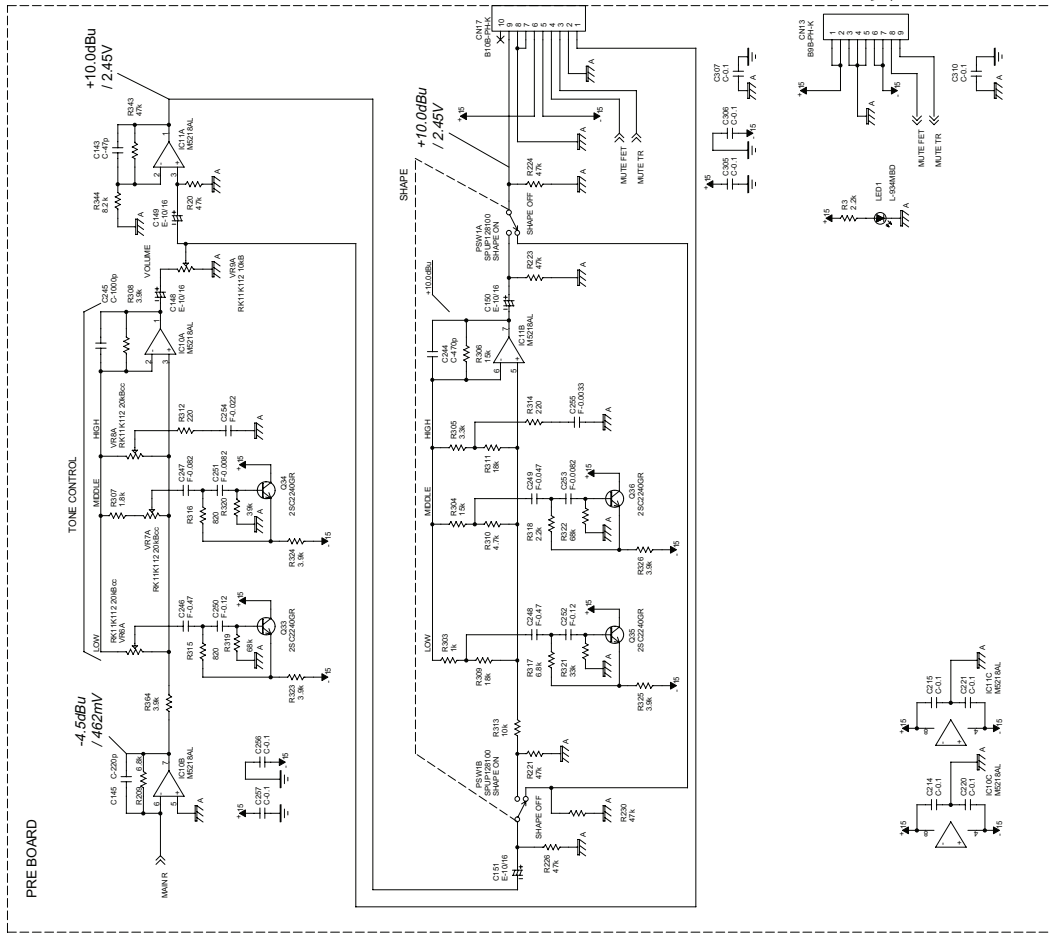


- LEVEL CHECK VR SETTINGS**
- CH1 ~4 : MAX (10)
 - OUTPUT SEL : B (HP+SP+LINE OUT)
 - PHONES : MAX (10)
 - EO (LMH) : 0 (CENTER)
 - SHAPE : OFF
 - VOLUME : MAX (10)

KC-350 CIRCUIT DIAGRAM (1/4)

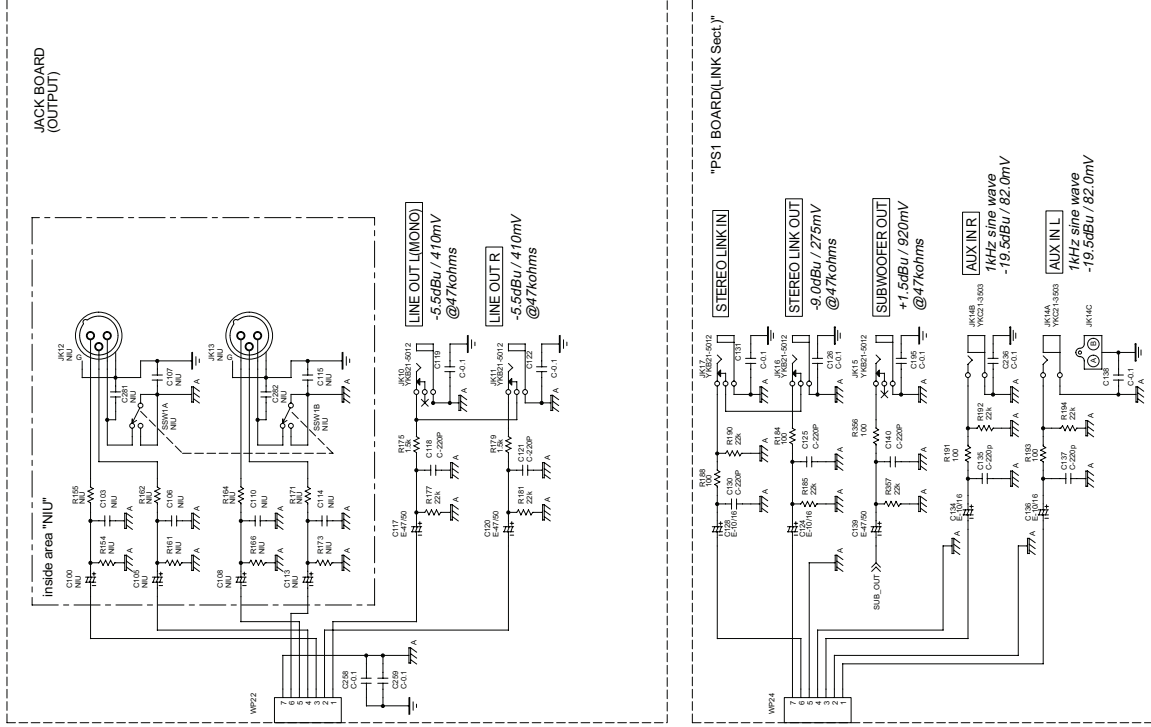
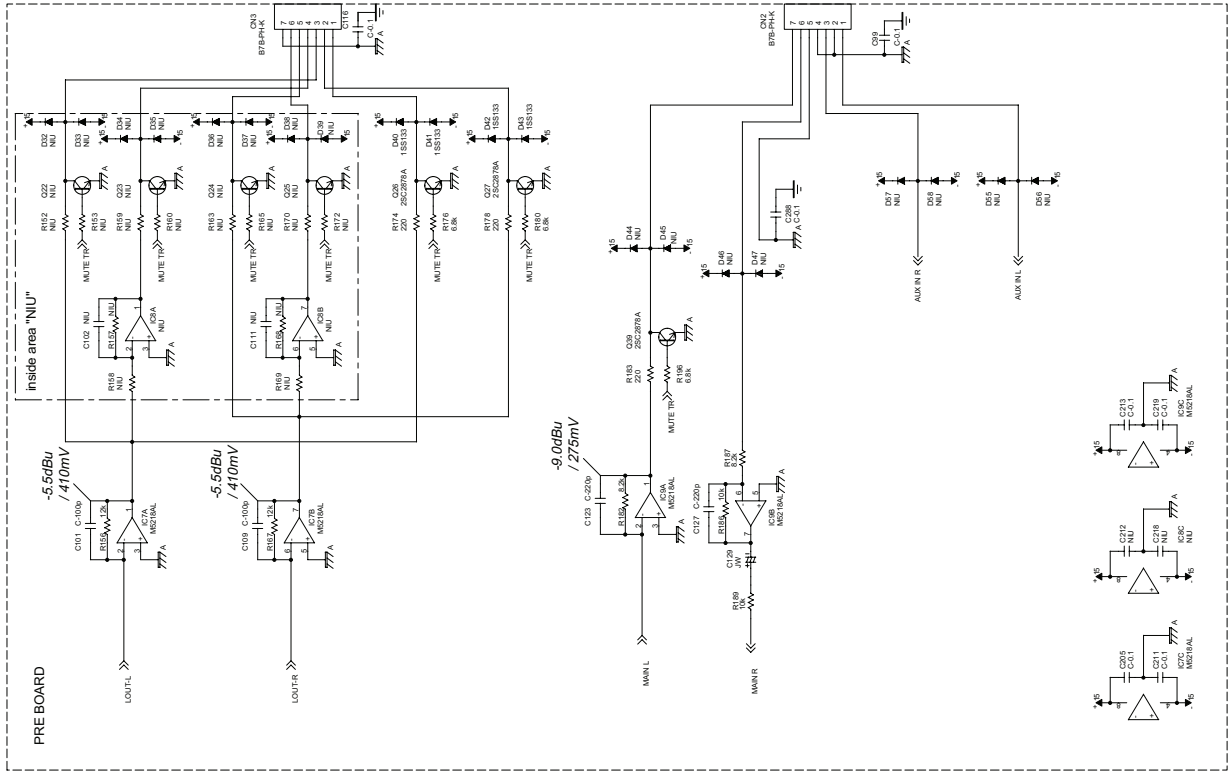


KC-350 CIRCUIT DIAGRAM (2/4)



- LEVEL CHECK VR SETTINGS**
- CH1~4 : MAX(10)
 - OUTPUT SEL : B (HP+SP+LINE OUT)
 - PHONES : MAX(10)
 - EQ (L/M/H) : 0 (CENTER)
 - SHAPE : OFF
 - VOLUME : MAX(10)

KC-350 CIRCUIT DIAGRAM (3/4)



LEVEL CHECK VR SETTINGS

- CH1 -1 : MAX (1.0)
- OUTPUT SEL : B (HP+SP+LINE OUT)
- PHONES : MAX (1.0)
- EQ (L/M/H) : 0 (CENTER)
- SHAPE : OFF
- VOLUME : MAX (1.0)

KC-350 CIRCUIT DIAGRAM (4/4)

