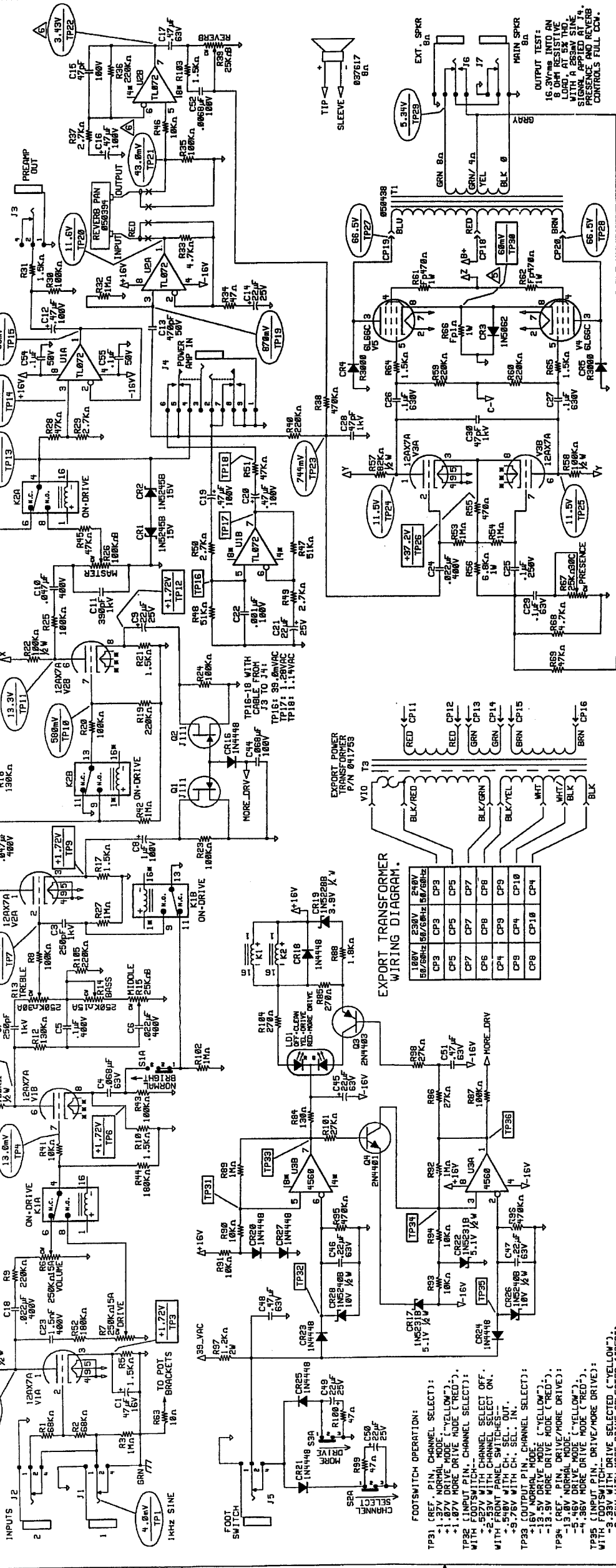


1 2 3 4 5 6 7 8

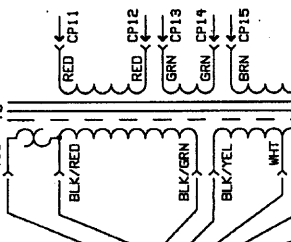
REVISIONS

ZONE	REV.	DESCRIPTION	DATE	APPROVED
	A	RELEASED PR325	13-MAY-96	MDW
	B	EC 1701	24-MAY-96	MDW



NOTES: (UNLESS SPECIFIED OTHERWISE)

- 1.) LAST INSTANCES: C55 CP20 CR28 F1 J7 K2 L1 LA1 LD1 Q4
- 2.) SIX DIGIT NUMBERS ARE FENDER PART NUMBERS.
- 3.) ALL RESISTORS 1/4W 5% CARBON FILM.
- 4.) ALL VOLTAGES MEASURED WITH RESPECT TO GROUND USING A TRIPLE RMS OHM OF 1MΩ AC INPUT IMPEDANCE AND OF 10MΩ DC INPUT IMPEDANCE. VOLTAGES MAY VARY ±20% TEST CONDITIONS: LINE VOLTAGE 120VAC 60Hz; POWER SUPPLY RESISTANCE 10Ω; ALL OTHER CONTROLS AT 50% ROTATION. NORMAL BRIGHT SWITCH OUT.
- 5.) BIAS SET TO 30mA PER OUTPUT TUBE. SEE NOTE 5.
- 6.) AT 1/2 POWER TRANSFORMER PRIMARY OBTAIN A READING OF 322V AS PRIMARY VOLTAGE SHOWN AT BIAS PUT WIPER IS FOR REFERENCE ONLY.
- 7.) READINGS OBSERVED AT TP21 AND TP22 WILL VARY GREATLY DEPENDING ON INDIVIDUAL REVERB PAN RESPONSE. THE VOLTAGE GAIN AT U2B SHOULD BE 82.
- 8.) COLORS IN PARENTHESES ARE FOR 230V AND 240V UNITS.
- 9.) INSTANCES NOT USED: C52 C34 C37 CP17 CP21 CR18 R71-73 R83



FOOTSWITCH OPERATION:

TP31 (REF. PIN, CHANNEL SELECT):

- 1.37V NORMAL MODE, "YELLOW";
- 1.07V DRIVE MODE, "YELLOW";
- 1.07V MORE DRIVE MODE ("RED");

TP32 (FOOTSWITCH, CHANNEL SELECT):

- 2.52V WITH CHANNEL SELECT OFF;
- 2.52V WITH CHANNEL SELECT ON;
- 2.75V WITH CH. SEL. INT.

TP33 (OUTPUT PIN, CHANNEL SELECT):

- 13.5V NORMAL MODE ("YELLOW");
- 13.5V DRIVE MODE ("YELLOW");
- 13.5V MORE DRIVE MODE ("RED");
- 13.8V NORMAL MODE, "YELLOW";
- 13.8V DRIVE MODE, "YELLOW";
- 13.8V MORE DRIVE MODE ("RED");

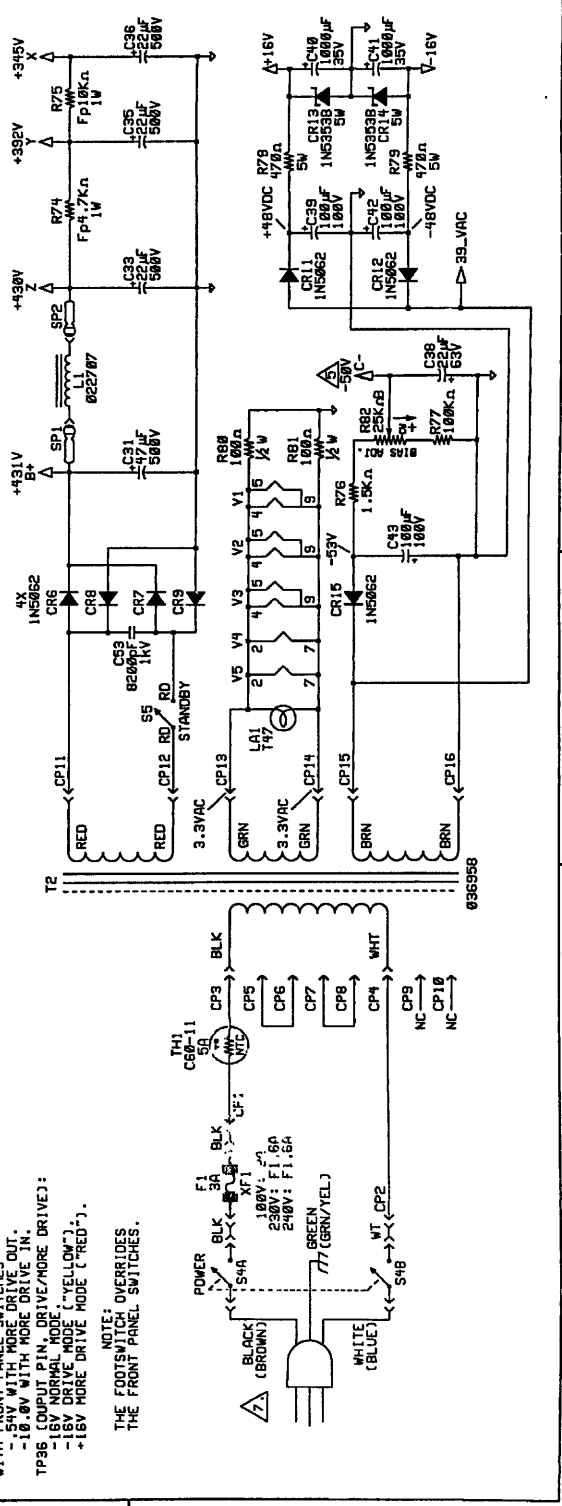
TP35 (INPUT PIN, DRIVE/MORE DRIVE):

- 9.33V WITH DRIVE SELECTED ("YELLOW");
- 6.54V WITH MORE DRIVE SELECTED ("RED");
- 18.0V WITH MORE DRIVE INT.

TP36 (OUTPUT PIN, DRIVE/MORE DRIVE):

- 18.0V NORMAL MODE ("YELLOW");
- 18.0V DRIVE MODE ("RED");
- 18.0V MORE DRIVE MODE ("RED");

NOTE: THE FOOTSWITCH OVERRIDES THE FRONT PANEL SWITCHES.



MUSICAL INSTRUMENTS

2621 Research Dr. Ives

Corona, CA 91720 USA

TITLE: SCHEMATIC DIAGRAM

REV. 050397 B

DATE: 05-MAY-96

APPROVED: MDW

DATE: 13-MAY-96

SIZE: DRAWING: A4 (LETTER) 11.0x8.5 INCHES

SCALE: NONE (UNLESS OTHERWISE SPECIFIED)

PROPRIETARY

THIS DRAWING IS THE PROPERTY OF MUSICAL INSTRUMENTS. IT IS TO BE USED ONLY FOR THE MANUFACTURE AND REPAIR OF THE INSTRUMENTS IDENTIFIED HEREIN. IT IS NOT TO BE REPRODUCED OR TRANSMITTED IN ANY FORM OR BY ANY MEANS, ELECTRONIC OR MECHANICAL, INCLUDING PHOTOCOPYING, RECORDING, OR BY ANY INFORMATION STORAGE AND RETRIEVAL SYSTEM.

CHECKED BY: JLL

DATE: 05-MAY-96

APPROVED: MDW

DATE: 13-MAY-96

TOLERANCES: UNLESS OTHERWISE SPECIFIED

RESISTORS: 1% 5% UNLESS OTHERWISE SPECIFIED

CAPACITORS: 5% UNLESS OTHERWISE SPECIFIED

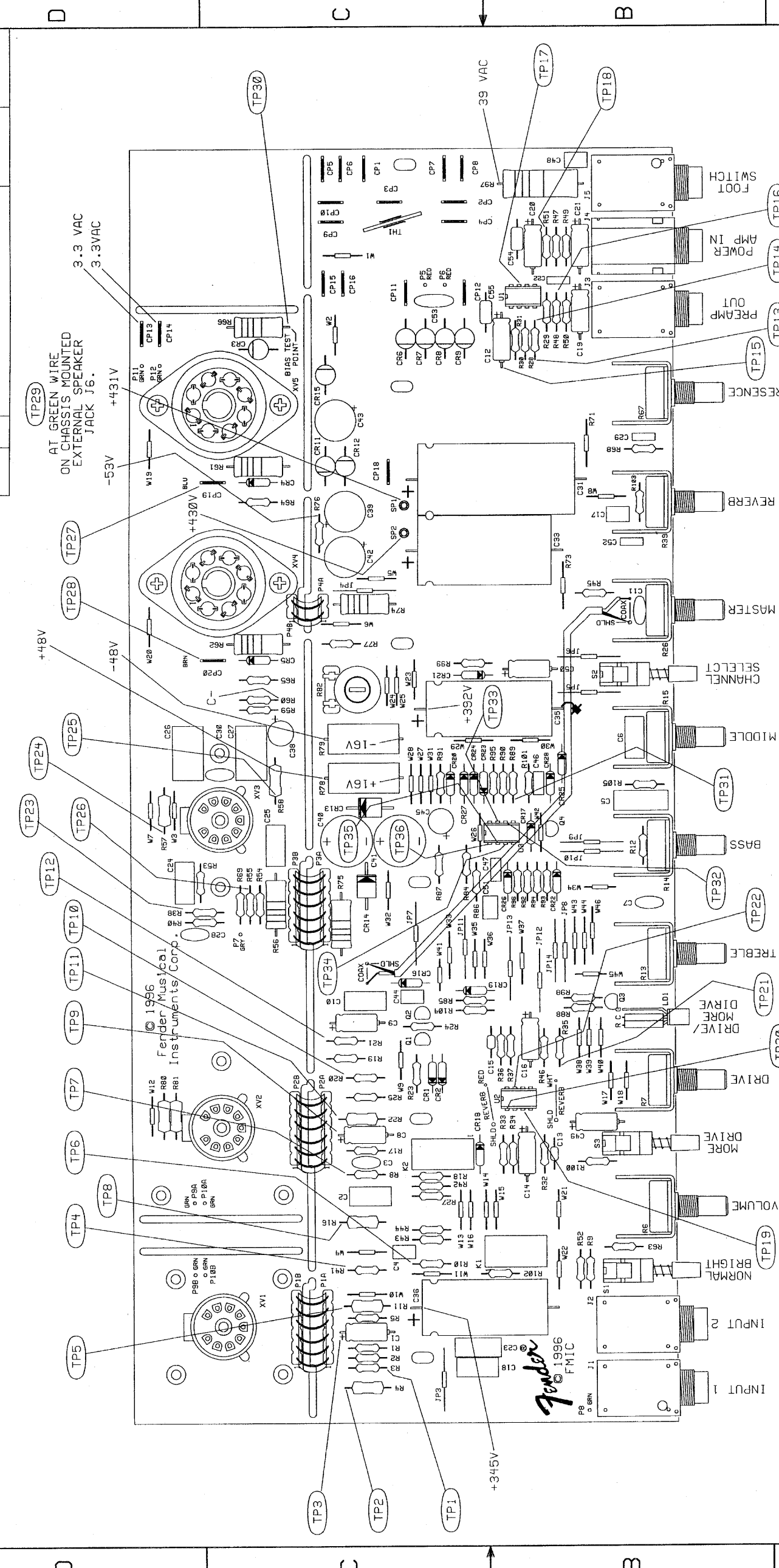
WELDING: 90° 91° 92° 93° 94° 95° 96° 97° 98° 99°

ANGLES: X.XX X.XXX X.XXXX

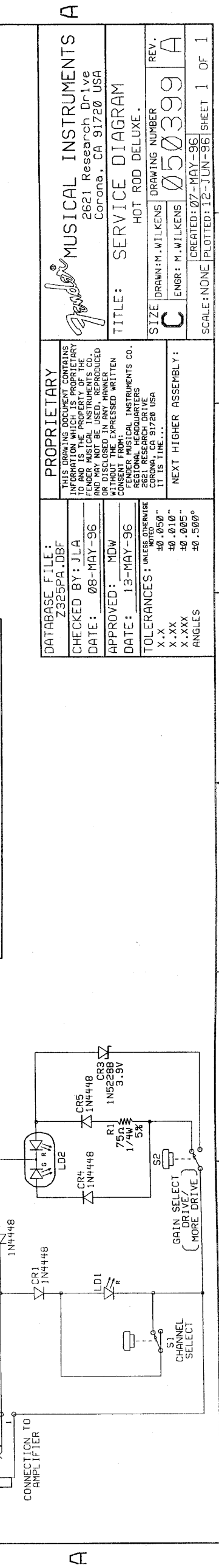
HOT ROD DELUXE

8 7 6 5 4 3 2 1

REVISIONS		DATE	APPROVED
ZONE	REV. DESCRIPTION	13-MAY-96	MDW
	A RELEASED PR325		



FILM/DWG: SERVICE DIAGRAM
 DATABASE: Z325PA.DBF DATE: 12-JUN-96
 LAYERS PLOTTED: 1 2 3 4 10
 18



SCHEMATIC FOR FOOTSWITCH ASSEMBLY 050419.

NOTES:
 1.) WIRES NOT SHOWN FOR CLARITY.

PROPRIETARY THIS DRAWING DOCUMENT CONTAINS INFORMATION WHICH IS PROPRIETARY TO AND IS THE PROPERTY OF THE FENDER MUSICAL INSTRUMENTS CO. AND MAY NOT BE USED, REPRODUCED OR DISCLOSED IN ANY MANNER WITHOUT THE EXPRESSED WRITTEN CONSENT FROM: FENDER MUSICAL INSTRUMENTS CO. REGIONAL HEADQUARTERS 2621 RESEARCH DRIVE CORONA, CA 91728 USA IT IS TIME...	DATABASE FILE: Z325PA.DBF CHECKED BY: JLA DATE: 08-MAY-96 APPROVED: MDW DATE: 13-MAY-96 TOLERANCES: UNLESS OTHERWISE NOTED X.X ±0.050" X.XX ±0.010" X.XXX ±0.005" ANGLES ±0.500°
Fender MUSICAL INSTRUMENTS 2621 Research Drive Corona, CA 91728 USA	TITLE: SERVICE DIAGRAM HOT ROD DELUXE. SIZE: C DRAWN: M. WILKENS ENGR: M. WILKENS DRAWING NUMBER: 050399 REV. A SCALE: NONE PLOTTED: 12-JUN-96 SHEET 1 OF 1

D C B A