

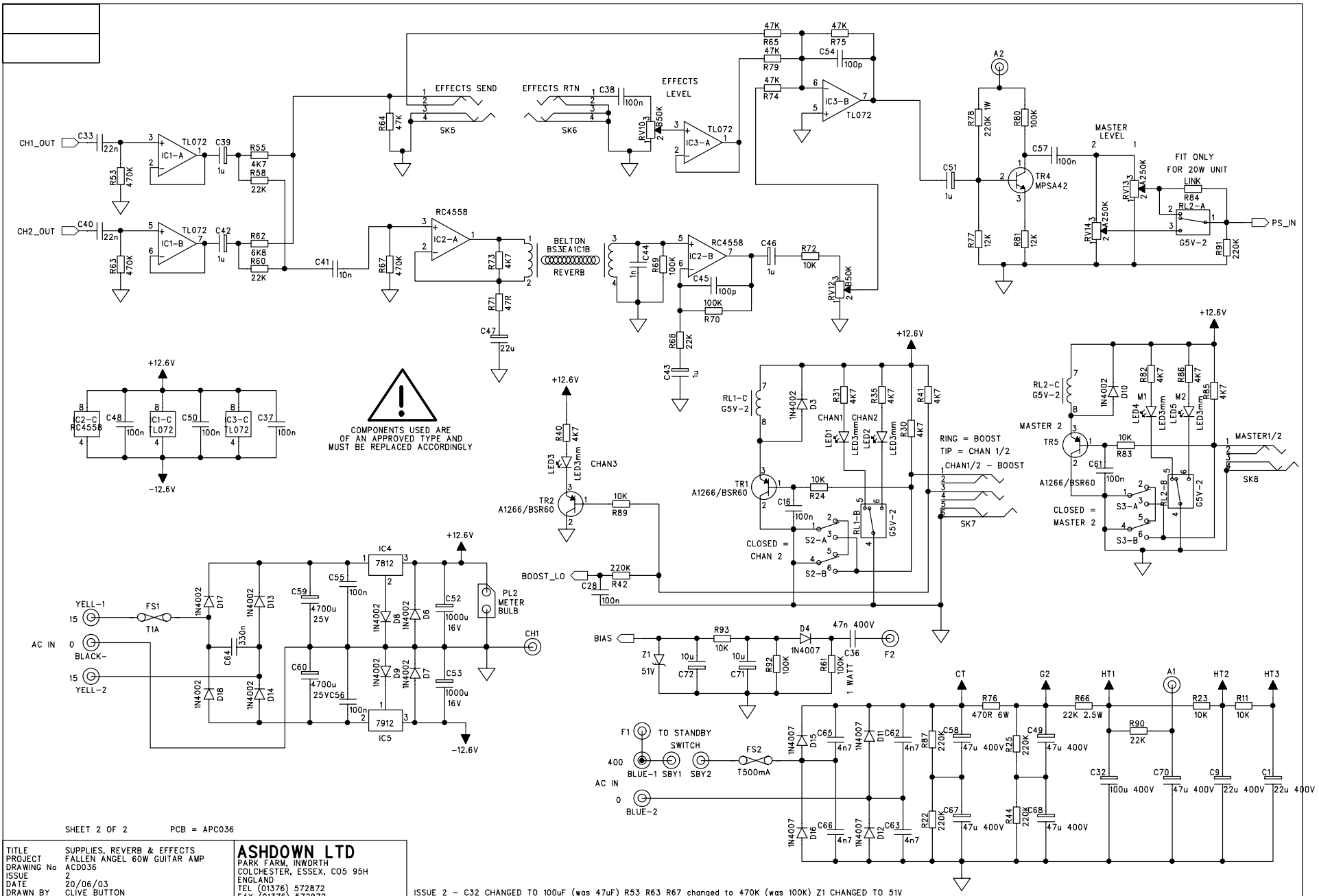
SHEET 1 OF 2 PCB = APC036

TITLE VALVE SECTIONS & SUPPLIES
 PROJECT FALLEN ANGEL 60 WATT GUITAR AMP
 DRAWING No ACD036
 ISSUE 2
 DATE 20/06/03
 DRAWN BY CLIVE BUTTON

ASHDOWN LTD
 PARK FARM, INWORTH
 COLCHESTER, ESSEX, C05 95H
 ENGLAND
 TEL (01376) 572872
 FAX (01376) 572972



COMPONENTS USED ARE OF AN APPROVED TYPE AND MUST BE REPLACED ACCORDINGLY



SHEET 2 OF 2 PCB = APC036

TITLE	SUPPLIES, REVERB & EFFECTS	ASHDOWN LTD PARK FARM, INWORTH COLCHESTER, ESSEX, CO5 95H ENGLAND TEL (01376) 572872 FAX (01376) 572972
PROJECT	FALLEN ANGEL 60W GUITAR AMP	
DRAWING No	ACD036	
ISSUE	2	
DATE	20/06/03	
DRAWN BY	CLIVE BUTTON	

ISSUE 2 - C32 CHANGED TO 100uF (was 47uF) R53 R63 R67 changed to 470K (was 100K) Z1 CHANGED TO 51V