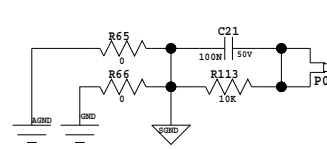
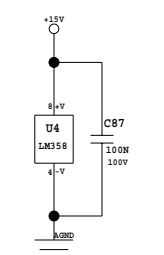
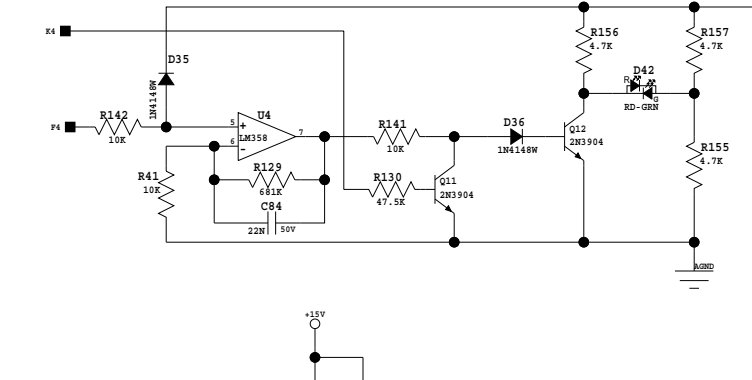
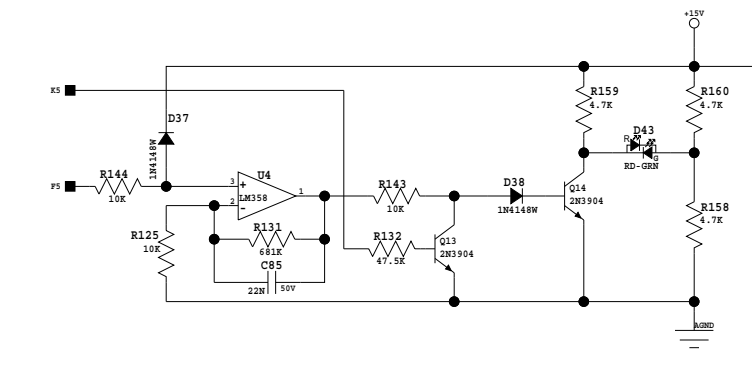
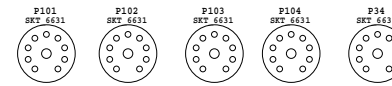
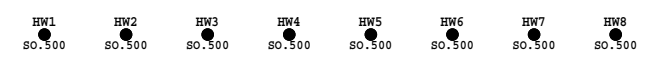
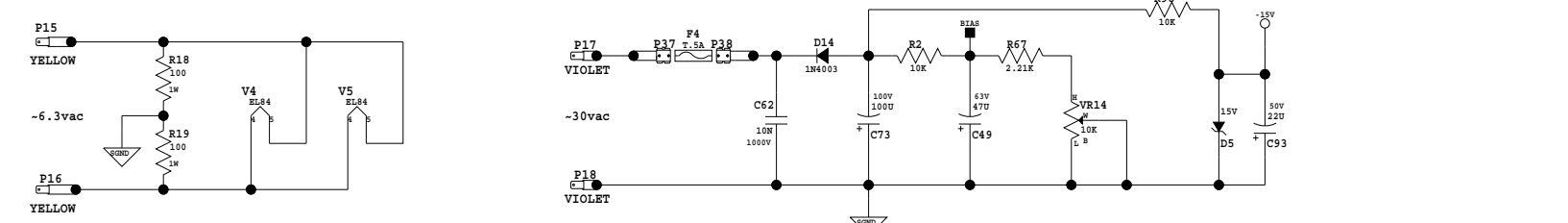
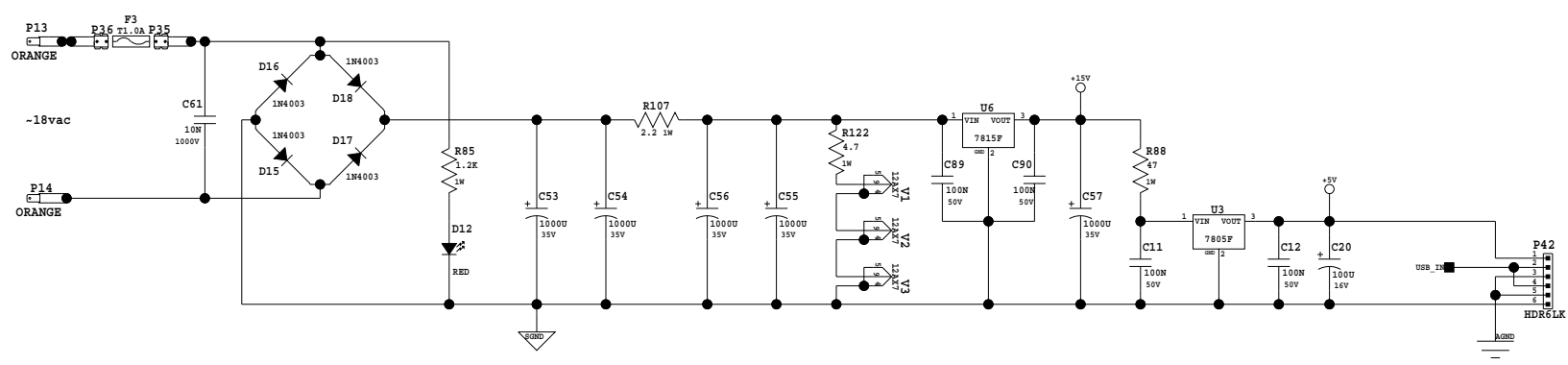
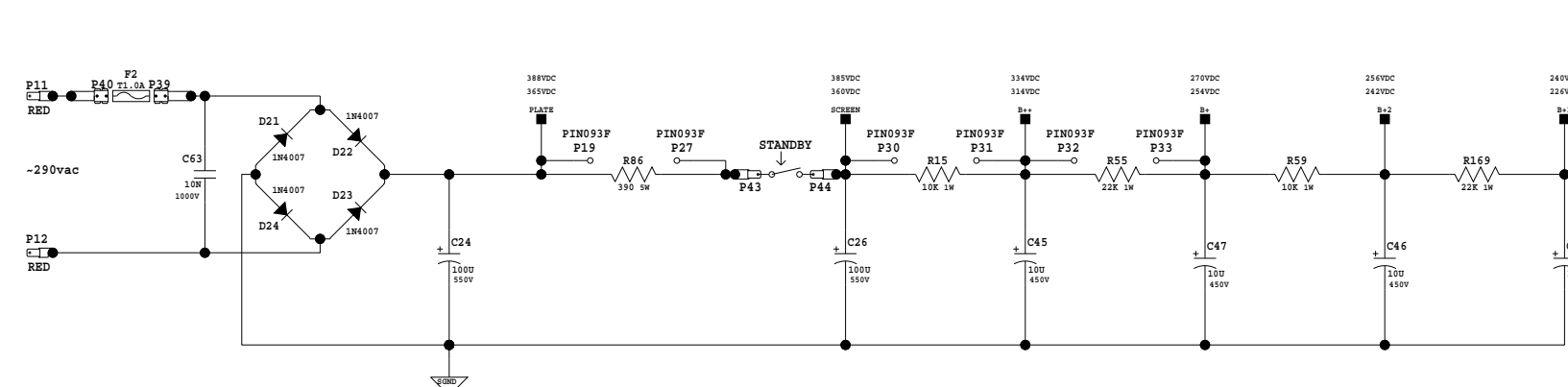


REV	Eng	Date:	Revision Description	ECN#
A				
B				
C				
D				
E				
F				

INDEX

SHEET	DESCRIPTION
1	COVER / POWER SUPPLY
2	AUDIO CIRCUITRY



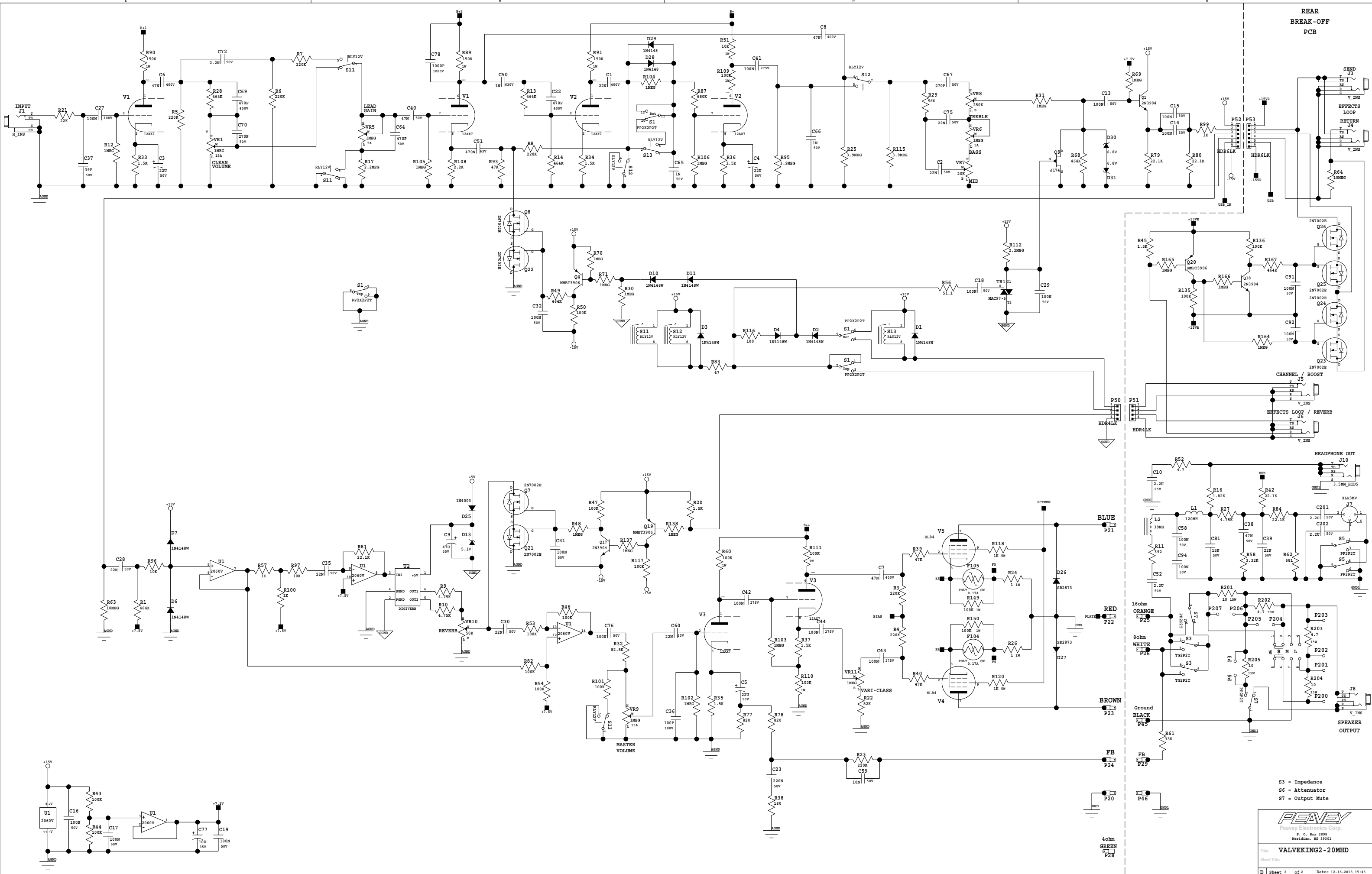
Note: All thru hole Resistors are 1/4 Watt unless otherwise indicated.
 All SMT 1206 Resistors are 1/4 Watt.
 All SMT 0805 Resistors are 1/10 Watt.
 Note Capacitor Values are indicated as Follows:
 val P = pF (picoFarads) val * 10 exp-12
 val N = nF (nanoFarads) val * 10 exp-9 (1N=1000pF, 100N=0.1uF)
 val U = uF (microFarads) val * 10 exp-6

Patents:
 Copyright Peavey Electronics Corporation 2012.

Company Proprietary Information



Product:	VALVEKING2-20MHD
Project Number:	
Eng: FVB	Release Date:
Sheet 1 of 2	
Saved: 12-16-2013 15:43	

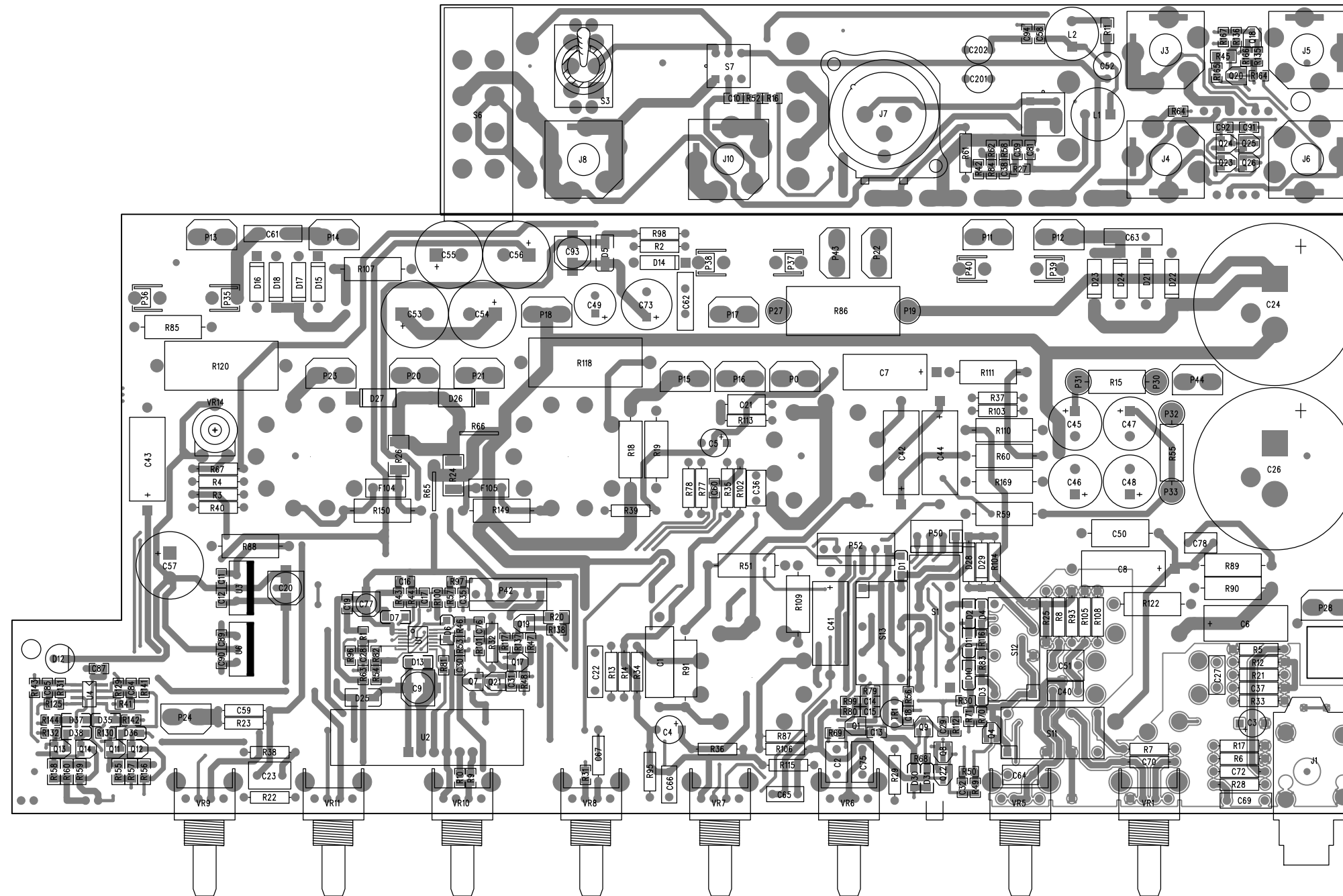


REAR
BREAK-OFF
PCB

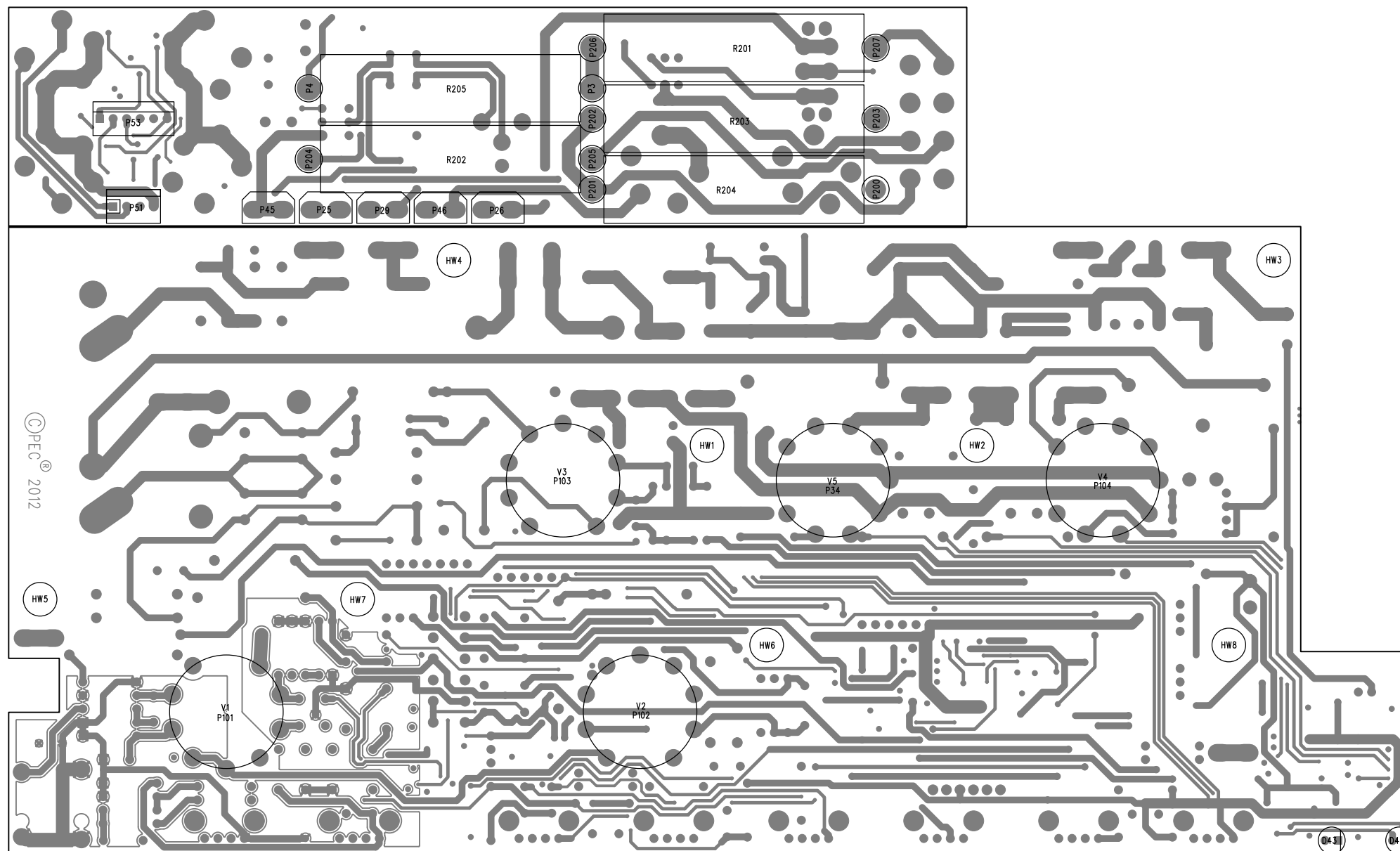
S3 = Impedance
S6 = Attenuator
S7 = Output Mute



VALVEKING 2 MICRO HEAD - PRIMARY SIDE VIEW



VALVEKING 2 MICRO HEAD - SECONDARY SIDE VIEW



BILL OF MATERIAL REPORT

REPORT DATE/TIME: 12/16/2013 1:45:55 PM

BOARD NAME: ValveKing 2 MH ASSEMBLY LEVEL NUMBER: 32204032

PROJECT NUMBER: P1200016 DESIGNER: FJE - 32102083

Qty.	Part #	Description	Reference Designators
1	30200012	47 1/4W 5% MF 1206	R83
6	30200025	4.7K 1/4W 5% MF 1206	R155 R156 R157 R158 R159 R160
2	30200128	1.50K 1/4W 1% MF 1206	R20 R45
1	30200136	392 1/4W 1% MF 1206	R11
8	30200174	10K 1/10W 1% MF 0805	R41 R96 R97 R125 R141 R142 R143 R144
1	30200179	51.1 1/10W 1% MF 0805	R56
1	30200181	100 1/10W 1% MF 0805	R116
3	30200188	1.00K 1/10W 1% MF 0805	R57 R99 R100
12	30200194	100K 1/10W 1% MF 0805	R43 R44 R46 R47 R50 R53 R54 R82 R101 R117 R135 R136
11	30200195	1.00M 1/10W 1% MF 0805	R30 R31 R48 R69 R70 R71 R137 R138 R164 R165 R166
1	30200202	3.32K 1/10W 1% MF 0805	R58
2	30200205	47.5K 1/10W 1% MF 0805	R130 R132
1	30200241	4.70 1/10W 1% MF 0805	R52
3	30200251	4.75K 1/10W 1% MF 0805	R9 R10 R27
5	30200256	22.1K 1/10W 1% MF 0805	R42 R79 R80 R81 R84
2	30200339	10.0M 1/10W 1% MF 0805	R63 R64
4	30200417	464K 1/10W 1% MF 0805	R1 R49 R68 R167
2	30200418	1 1W 1% MF 2512	R24 R26

1	30200437	1.82K	1/10W	1%	MF	0805	R16
1	30200443	2.2M	1/10W	5%		0805	R112
1	30200491	681	1/10W	1%		0805	R62
2	30200630	681K	1/10W	1%	MF	0805	R129 R131
2	30210003	100	1W	5%	MO	AXL	R18 R19
2	30210005	22K	1W	5%	MO	AXL	R55 R169
1	30210011	47	1W	5%	MO	AXL	R88
1	30210015	4.7	1W	5%	MO	AXL	R122
6	30210017	100K	1W	5%	MO	AXL	R60 R109 R110 R111 R149 R150
3	30210018	10K	1W	5%	MO	AXL	R15 R51 R59
1	30210024	1.2K	1W	5%	MO	AXL	R85
1	30210025	2.2	1W	5%	MO	AXL	R107
3	30210123	150K	1W	5%	MO	AXL	R89 R90 R91
1	30240012	180	1/4W	5%	CF	AXL	R38
5	30240018	1500	1/4W	5%	CF	AXL	R33 R34 R35 R36 R37
2	30240019	820	1/4W	5%	CF	AXL	R77 R78
1	30240020	2200	1/4W	5%	CF	AXL	R108
1	30240026	56K	1/4W	5%	CF	AXL	R29
1	30240029	22K	1/4W	5%	CF	AXL	R21
1	30240030	33K	1/4W	5%	CF	AXL	R61
3	30240031	47K	1/4W	5%	CF	AXL	R39 R40 R93
1	30240033	82K	1/4W	5%	CF	AXL	R22
7	30240036	220K	1/4W	5%	CF	AXL	R3 R4 R5 R6 R7 R8 R23
1	30240040	2.2M	1/4W	5%	CF	AXL	R17
3	30240064	3.9M	1/4W	5%	CF	AXL	R25 R95 R115
1	30240065	680K	1/4W	5%	CF	AXL	R87
1	30240130	82.5K-1/4W	---	1%	MF	--T&R	R32
1	30240145	2.21K	1/4W	1%	MF	AXL	R67
3	30241050	10K	1/4W	1%	MF	AXL	R2 R98 R113

6	30241118	1M	1/4W	1%	MF	AXL	R12 R102 R103 R104 R105 R106
3	30241119	464K	1/4W	1%	MF	T&R	R13 R14 R28
1	30250020	390	5W	5%	FP	AXLH	R86
2	30250060	1K	5W	10%	WW	AXLH SL	R118 R120
2	30250299	4.7	15W	10%	WW	AXLH	R202 R203
3	30250301	10	15W	10%	WW	AXLH	R201 R204 R205
2	30250305	0.17A	PTC (RESET) FUSE			SMT	F104 F105
1	30300079	47UF	35V	20%	EL	SMT6	C9
1	30300083	100UF	16V	20%	EL	SMT6	C20
2	30300093	0.1UF	50V	10%	X7R	0805	C58 C94
1	30300099	22UF	50V	20%	EL	SMT6	C93
17	30300121	0.1UF	50V	5%	X7R	0805	C11 C12 C13 C14 C15 C16 C17 C18 C19 C29 C31 C32 C76 C89 C90 C91 C92
1	30300131	10UF	35V	20%	EL	SMT4	C77
7	30300148	0.022UF	50V	5%	X7R	0805	C28 C30 C35 C39 C60 C84 C85
1	30300154	0.015UF	50V	10%	X7R	0805	C81
1	30300171	0.047UF	50V	5%	X7R	0805	C38
1	30300249	0.1UF	100V	20%	X7R	0805	C87
1	30300258	2.2UF	25V	10%	X7R	0805	C10
3	30320099	0.01UF	1000V	80-20%	Z5U		C61 C62 C63
3	30320105	0.047UF	400V	10%	PES	AXL	C6 C7 C8
3	30320181	22UF	50V	20%	EL	RAD	C3 C4 C5
3	30320184	2.2UF	50V	20%	ELN	RAD	C52 C201 C202
5	30320186	1000UF	35V	20%	EL	RAD	C53 C54 C55 C56 C57
1	30320269	100PF	100V	5%	NPO	RAD	C36
1	30320281	1000PF	630V	10%	PE	AXL	C50
1	30320283	0.022UF	400V	10%	PE	AXL	C1

4	30320334	0.1UF	250V	10%	PE	AXL	C41 C42 C43 C44
2	30320569	470PF	400V	20%	PP	RADH	C22 C69
2	30320573	100UF	550V	20%	EL	SNPH	C24 C26
1	30320623	47UF	63V	20%	EL	RAD	C49
1	30320624	100UF	100V	20%	EL	RAD	C73
1	30320667	1000PF	1000V	10%	CER	RAD	C78
4	30320676	10UF	450V	20%	EL	RADIAL	C45 C46 C47 C48
1	30330113	0.1UF	100V	10%	PPS	RAD	C27
1	30330118	470PF	50V	5%	PE	RAD	C64
1	30330128	0.22UF	50V	5%	PE	RAD	C23
2	30330134	0.022UF	50V	5%	PE	RAD	C2 C75
1	30330136	0.047UF	50V	5%	PE	RAD	C40
2	30330156	1000PF	50V	5%	PE	RAD	C65 C66
1	30330159	0.47UF	63V	5%	PES	RAD	C51
1	30340004	2200PF	50V	10%	X7R	AXL	C72
1	30340011	0.01UF	50V	10%	X7R	AXL	C59
1	30340052	39PF	50V	5%	NPO	AXL	C37
2	30340057	270PF	50V	10%	NPO	AXL	C67 C70
1	30340101	0.1UF	50V	10%	X7R	AXL	C21
1	30400318	7815F	+15V	INS	TO-220F	HOR	U6
1	30400322	7805F	+5V	INSUL	TO-220F		U3
2	30402873	SR2873	2KV,	250MA	DIODE		D26 D27
1	30409209	DIGITAL	REVERB	MODULE	BTDR-2VM		U2
1	30418015	LM358	DUAL	OPAMP	SMT		U4
7	30418135	2N3904	NPN	SOT23			Q1 Q11 Q12 Q13 Q14 Q17 Q18
1	30418139	J-174	P-JFET	30V	SOT23		Q9
2	30418140	6.8V	ZENER	(SOD123)-SMT			D30 D31
1	30418261	1N4003	- SMT -	SMA	PKG		D25
12	30418328	1N4148W	SWITCHING	DIODE			D1 D2 D3 D4

			D6 D7 D10 D11 D35 D36 D37 D38
8	30418369	2N7002E N CH 60V MOSFET	Q7 Q8 Q21 Q22 Q23 Q24 Q25 Q26
1	30418389	5.1V ZENER (SOD123)-SMT	D13
3	30418421	MMBT3906 PNP SOT23	Q4 Q19 Q20
1	30418504	15V 1.5W ZENER SMA	D5
1	30418578	2060 QUAD OPAMP TSSOP1414	U1
2	30450037	BICOLOR LED R/G T1	D42 D43
1	30450068	RED T1 3/4 LED S-BRT BULK	D12
1	30460097	MAC97-6 TRIAC TO-92 T&A	TR1
5	30464003	1N4003 200V 1A SI DIODE	D14 D15 D16 D17 D18
4	30464007	1N4007 1KV, 1A, SI DIODE	D21 D22 D23 D24
2	30464148	1N4148 75V 10MA DIODE	D28 D29
1	30500104	39MH RADIAL INDUCTOR	L2
1	30500105	120MH RADIAL INDUCTOR	L1
2	30600136	0 OHM 22GA JMPR AXL	R65 R66
2	30806623	EL84/6BQ5 POWER TUBE	V4 V5
3	30806629	12AX7 LOW MICROPHONIC	V1 V2 V3
5	30806631	TUBE SKT 9PIN CERAMIC	P34 P101 P102 P103 P104
6	30901714	FUSE CLIP, 5 X 20MM -T&A	P35 P36 P37 P38 P39 P40
8	30901859	STND .500 T4-40,SW,AL,ST	HW1 HW2 HW3 HW4 HW5 HW6 HW7 HW8
1	31190009	10K LIN.-HOR.PC MNT. TRIM POT	VR14
1	31190903	20KB SNGL 12MM HOR	VR7
1	31190904	50KB SNGL 12MM HOR	VR10
1	31190908	250KB SNGL 12MM HOR	VR8
2	31190910	1M5A SNGL 12MM HOR	VR5 VR6

2	31190911	1M15A SNGL 12MM HOR	VR1 VR9
1	31191012	1MB SNGL 12MM HOR	VR11
2	31322251	SWITCH DPDT PP 3.3MM PC V	S5 S7
1	31322256	SWITCH 2XDPDT PP 3.3 PC H	S1
3	31322277	RELAY 12V DPDT .5A	S11 S12 S13
1	31322328	SWITCH 2P3T SLIDE PC V	S6
1	31322476	SWITCH 2P2T TOGGLE	S3
1	31466222	JACK, MONO R/A 1/4" 6.5MM	J1
1	31466324	MXLR NC3MAV A-SER VERT	J7
5	31466542	STEREO HID JACK INSU	J3 J4 J5 J6 J8
1	31466603	JACK, 3.5MM PHONE TRS-SW HI-D	J10
16	33711818	PIN-F .093 FOR COMP MNTG	P3 P4 P19 P27 P30 P31 P32 P33 P200 P201 P202 P203 P204 P205 P206 P207
22	33716194	SPADE .250 PC MNT .093	P0 P11 P12 P13 P14 P15 P16 P17 P18 P20 P21 P22 P23 P24 P25 P26 P28 P29 P43 P44 P45 P46
2	33717015	4 HDR V SR .100" TIN LK	P50 P51
3	33717123	6 HDR V SR .100" TIN LK	P42 P52 P53

 END OF BILL OF MATERIAL REPORT
