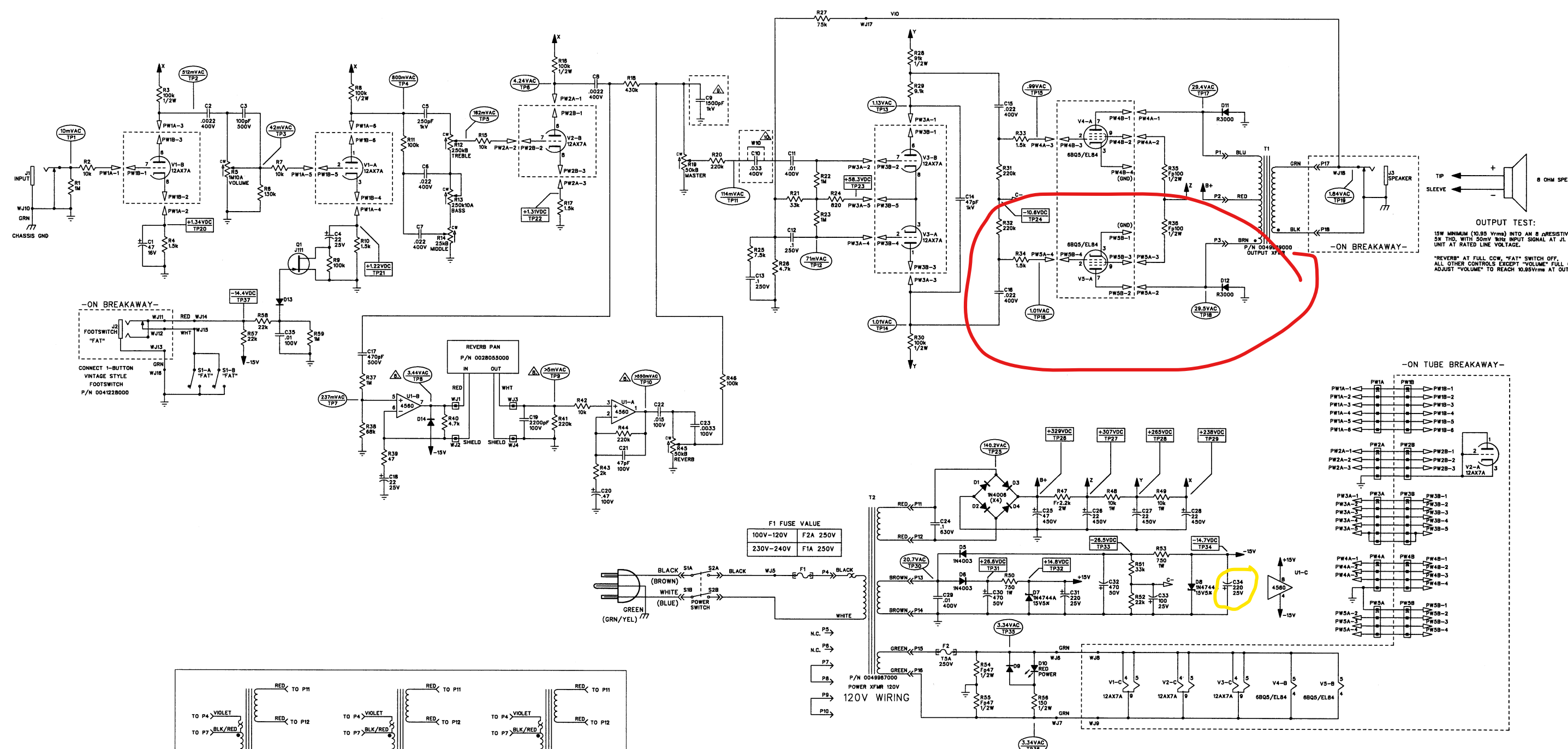
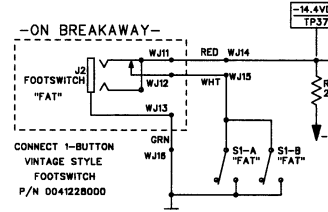
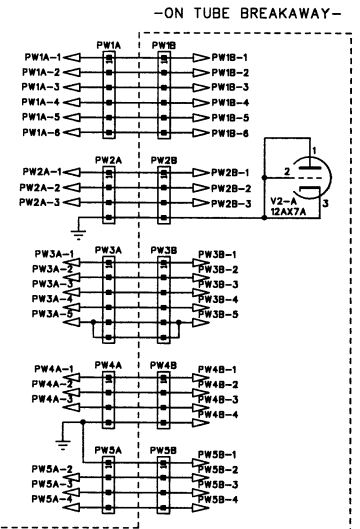


REVISIONS			
REV.	DESCRIPTION	DATE	APPROVED
A	EC 2630	21-MAR-01	dBL
B	EC 2767	09-APR-02	dBL
C	EC 2871	06-JAN-03	dBL
D	PR 1108	24-MAR-10	MTG

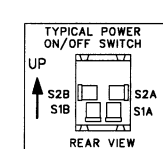
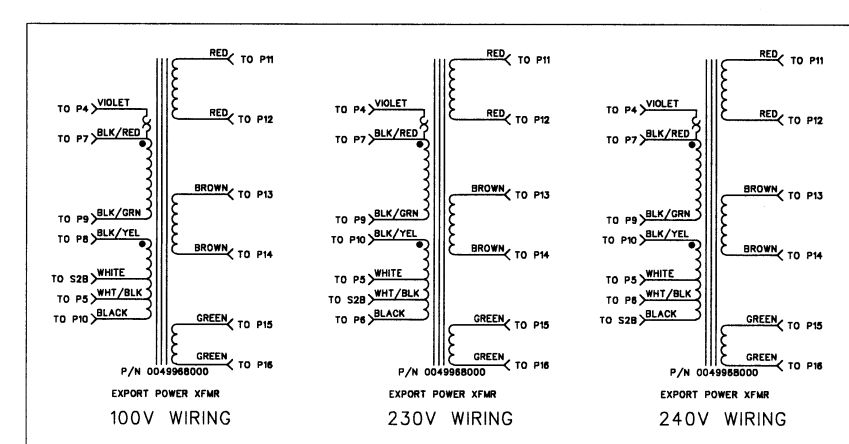
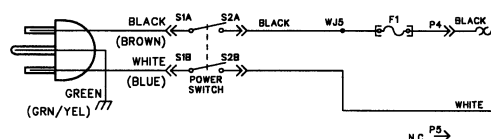


**OUTPUT TEST:**  
 15W MINIMUM (10.95 Vrms) INTO AN 8 Ω RESISTIVE LOAD, 5% THD, WITH 50mV RMS INPUT SIGNAL AT J1, UNIT AT RATED LINE VOLTAGE.  
 \*REVERB\* AT FULL CW, \*FAT\* SWITCH OFF, ALL OTHER CONTROLS EXCEPT \*VOLUME\* FULL CW, ADJUST \*VOLUME\* TO REACH 10.95Vrms AT OUTPUT.



**F1 FUSE VALUE**

100V-120V	F2A 250V
230V-240V	F1A 250V



- TP8 - TP10 VARY AND ARE DEPENDENT ON SPECIFIC EXCITATION FREQUENCY AND PARTICULAR REVERB PAN FREQUENCY RESPONSE.
7. AC AND DC VOLTAGES READ WITH RESPECT TO GROUND WITH A DVM UNDER THE FOLLOWING CONDITIONS:  
 UNIT AT RATED LINE VOLTAGE  
 NO INPUT SIGNAL (TP20-TP37 ONLY)  
 VOLTAGES MAY VARY +/- 20%
- ADDITIONAL CONDITIONS FOR TP8-TP10:  
 10mVrms, RMS SINEWAVE INPUT SIGNAL AT J1  
 8Ω RESISTIVE LOAD CONNECTED AT J3  
 REVERB PAN CONNECTED  
 \*REVERB\* AT FULL CW, \*FAT\* SWITCH OFF (OFF)  
 ALL OTHER CONTROLS AT 50% ROTATION.
8. LATEST REFERENCE: C35, D14, F2, J3, P18, R59, S1, T2.
9. THIS SCHEMATIC IS FOR PCB FABRICATION P/N 0057278000 AND PCB ASSEMBLIES P/N 0057277000 AND P/N 0079841000.
4. ALL DIODES ARE 1N4448.
2. ALL UNPOLARIZED CAPACITORS IN μF, 20% OR BETTER; 50V MINIMUM. (POWER SUPPLY BYPASS CAPACITORS ARE 20%).
1. ALL RESISTORS IN OHMS, 5%; 1/4W.
- NOTES: (UNLESS OTHERWISE NOTED)

△ C10 STUFFED AS JUMPER FOR PCB ASSEMBLY 0079841000.  
 △ C9 NOT STUFFED FOR PCB ASSEMBLY 0079841000.

THIS DOCUMENT CONTAINS INFORMATION OF A PROPRIETARY NATURE TO FENDER MUSICAL INSTRUMENTS AND IS SUBMITTED TO YOU IN CONFIDENCE AND SHALL NOT BE DISCLOSED OR TRANSMITTED TO OTHERS WITHOUT AUTHORIZATION FROM FENDER MUSICAL INSTRUMENTS.

**Fender** MUSICAL INSTRUMENTS  
 Corona, CA U.S.A.

CHECKED BY: *[Signature]*  
 DATE: *[Date]*

APPROVED BY: *[Signature]*  
 DATE: *[Date]*

DRAWN: D. LEWIS ENGR: D. LEWIS  
 DATABASE FILE: Z4865.SCH

TITLE: SERVICE DIAGRAM, COMBINED (schematic)  
 BLUES JUNIOR

SIZE: DRAWING NUMBER  
**D** 0057275000

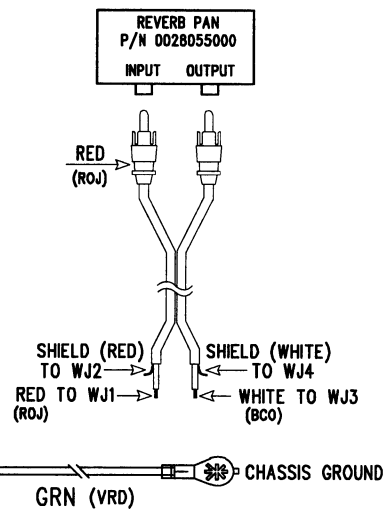
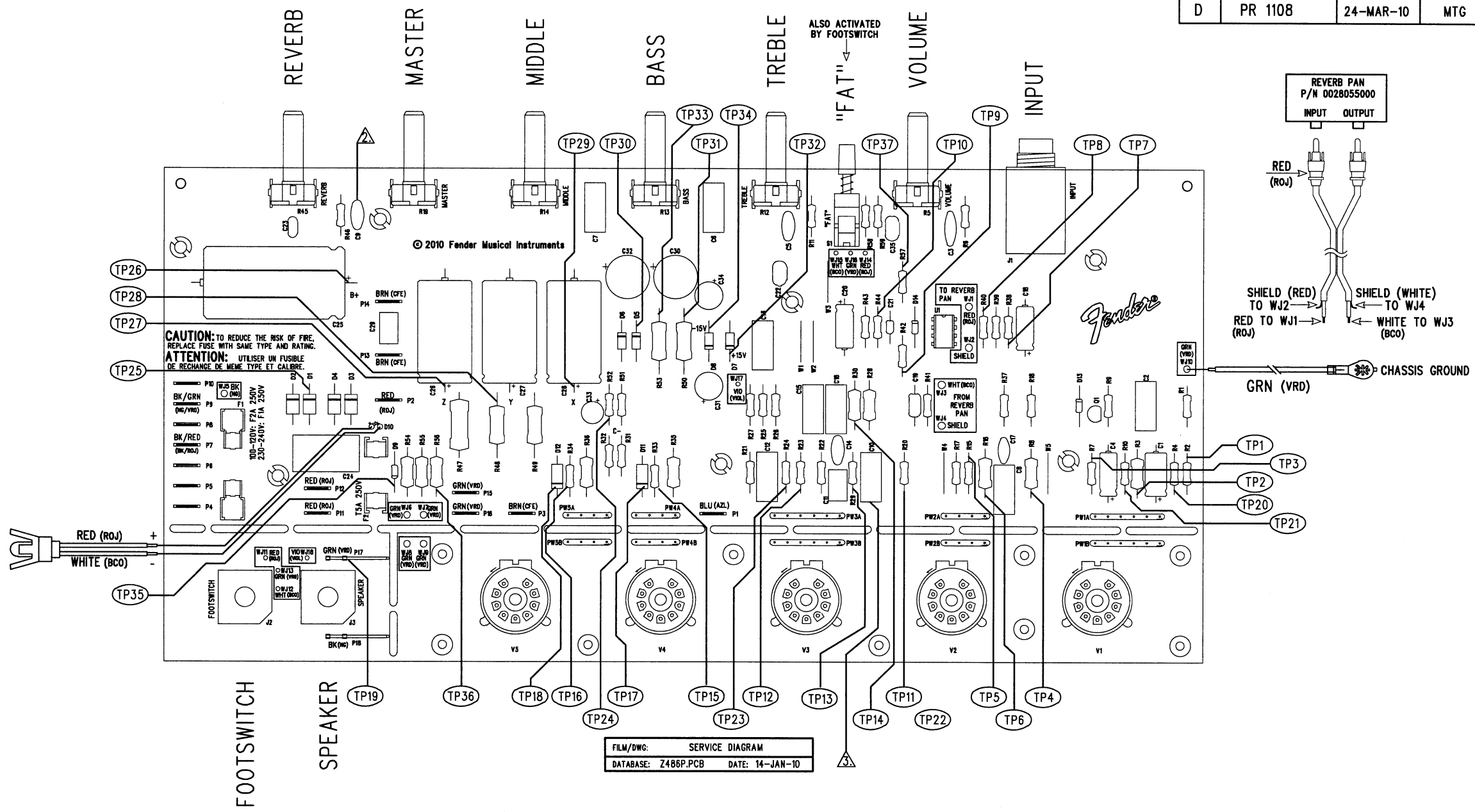
REV. **D**

RELEASE DATE: 21-MAR-01 SHEET: 1 OF 2

8 7 6 5 4 3 2 1

REVISIONS			
REV.	DESCRIPTION	DATE	APPROVED
A	EC 2630	21-MAR-01	dBL
B	EC 2767	09-APR-02	dBL
C	EC 2871	06-JAN-03	dBL
D	PR 1108	24-MAR-10	MTG

D  
C  
B  
A



FILM/DWG: SERVICE DIAGRAM  
 DATABASE: Z486P.PCB DATE: 14-JAN-10

- ⚠ C10 STUFFED AS JUMPER FOR PCB ASSEMBLY 0079641000.
- ⚠ C9 NOT STUFFED FOR PCB ASSEMBLY 0079641000.
- 1. SEE SHEET 1 FOR PRIMARY WIRING, TEST CONDITIONS, AND TEST POINT VALUES.
- NOTES: (UNLESS OTHERWISE NOTED)

THIS DOCUMENT CONTAINS INFORMATION OF A PROPRIETARY NATURE TO FENDER MUSICAL INSTRUMENTS AND IS SUBMITTED TO YOU IN CONFIDENCE AND SHALL NOT BE DISCLOSED OR TRANSMITTED TO OTHERS WITHOUT AUTHORIZATION FROM FENDER MUSICAL INSTRUMENTS.		MUSICAL INSTRUMENTS Corona, CA U.S.A.	
CHECKED BY: <u>dBL</u> DATE: <u>4/14/10</u>		TITLE: SERVICE DIAGRAM, COMBINED (PCB assy) BLUES JUNIOR	
APPROVED BY: <u>MTG</u> DATE: <u>4/16/10</u>		SIZE: <b>C</b>	DRAWING NUMBER: <b>0057275000</b>
DRAWN: D. LEWIS ENGR: D. LEWIS DATABASE FILE: Z486P.PCB		RELEASE DATE: 21-MAR-01	REV. <b>D</b> SHEET 2 OF 2

8 7 6 5 4 3 2 1