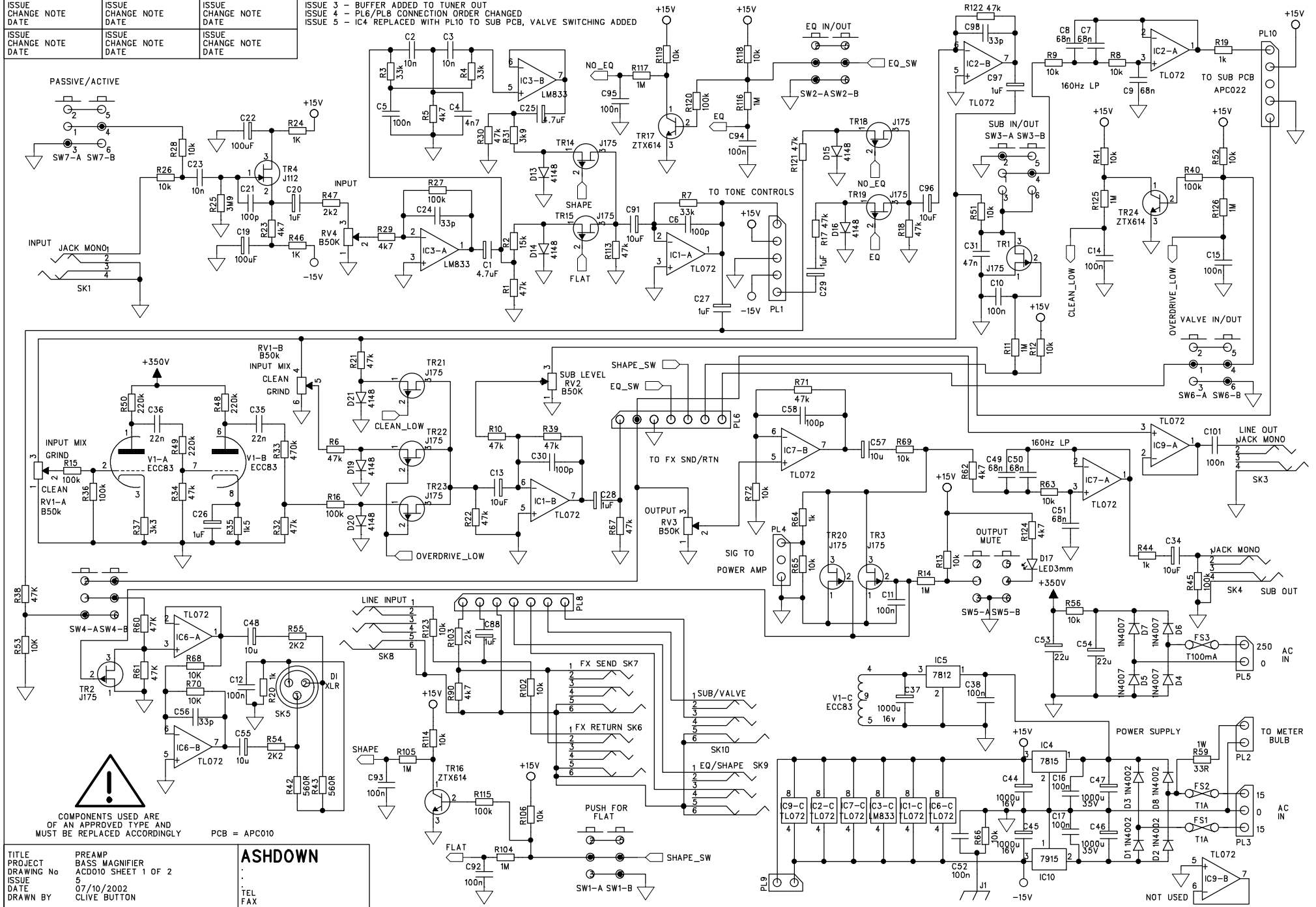


ISSUE CHANGE NOTE DATE	ISSUE CHANGE NOTE DATE	ISSUE CHANGE NOTE DATE
ISSUE CHANGE NOTE DATE	ISSUE CHANGE NOTE DATE	ISSUE CHANGE NOTE DATE

ISSUE 3 - BUFFER ADDED TO TUNER OUT
 ISSUE 4 - PL6/PL8 CONNECTION ORDER CHANGED
 ISSUE 5 - IC4 REPLACED WITH PL10 TO SUB PCB, VALVE SWITCHING ADDED



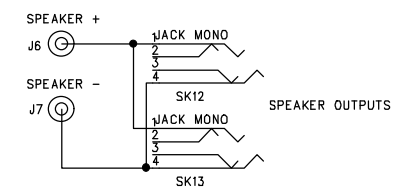
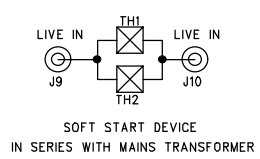
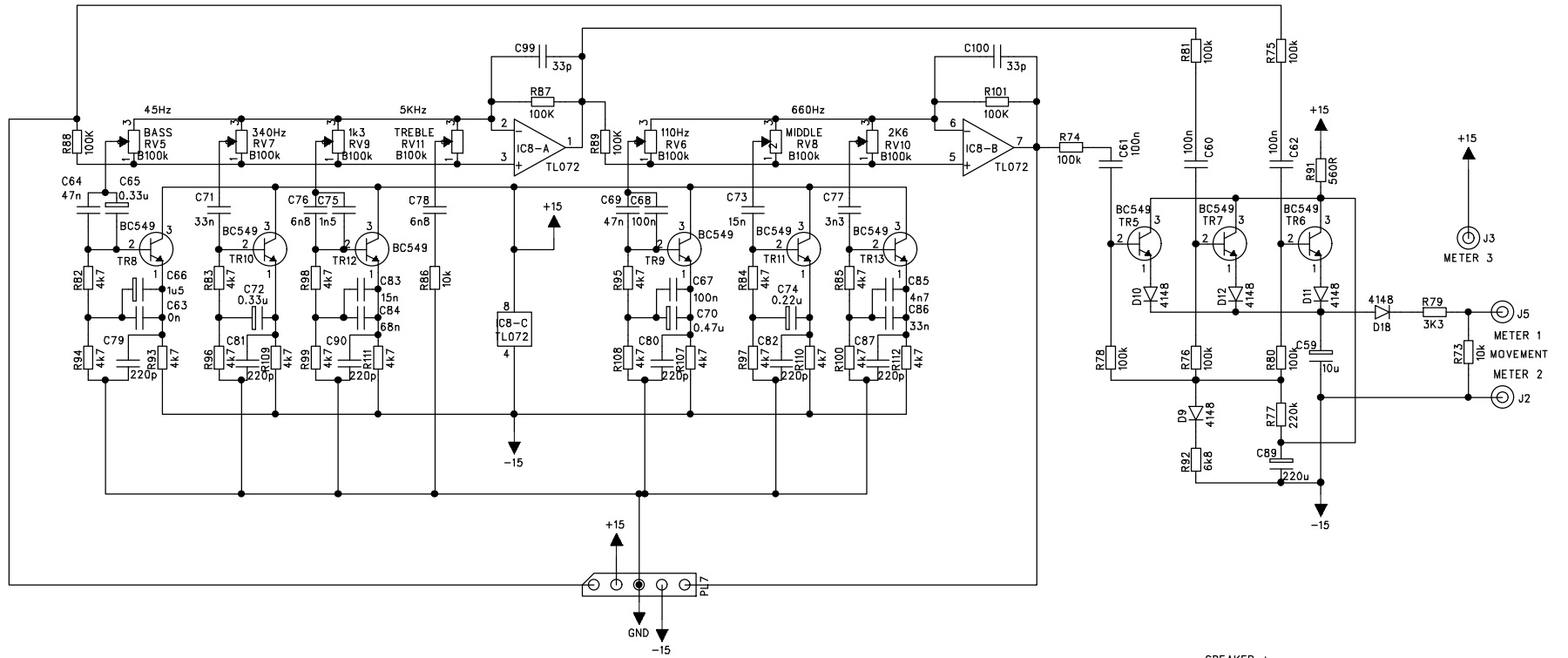
!
 COMPONENTS USED ARE OF AN APPROVED TYPE AND MUST BE REPLACED ACCORDINGLY

PCB = APC010

TITLE PROJECT PREAMP BASS MAGNIFIER
 DRAWING No AC010 SHEET 1 OF 2
 ISSUE 5
 DATE 07/10/2002
 DRAWN BY CLIVE BUTTON

ASHDOWN
 TEL FAX

ISSUE CHANGE DATE	NOTE	ISSUE CHANGE DATE	NOTE	ISSUE CHANGE DATE	NOTE



COMPONENTS USED ARE OF AN APPROVED TYPE AND MUST BE REPLACED ACCORDINGLY

PCB = APC010

TITLE	TONE CONTROL	ASHDOWN
PROJECT	BASS MAGNIFIER	
DRAWING No	ACD010 SHEET 2 OF 2	
ISSUE	5	
DATE	21/02/2002	
DRAWN BY	CLIVE BUTTON	ENGLAND TEL FAX

ISSUE 2 - FREQUENCY OF BASS CONTROL CHANGED TO 45HZ, 180HZ SLIDER CHANGED TO 110HZ