
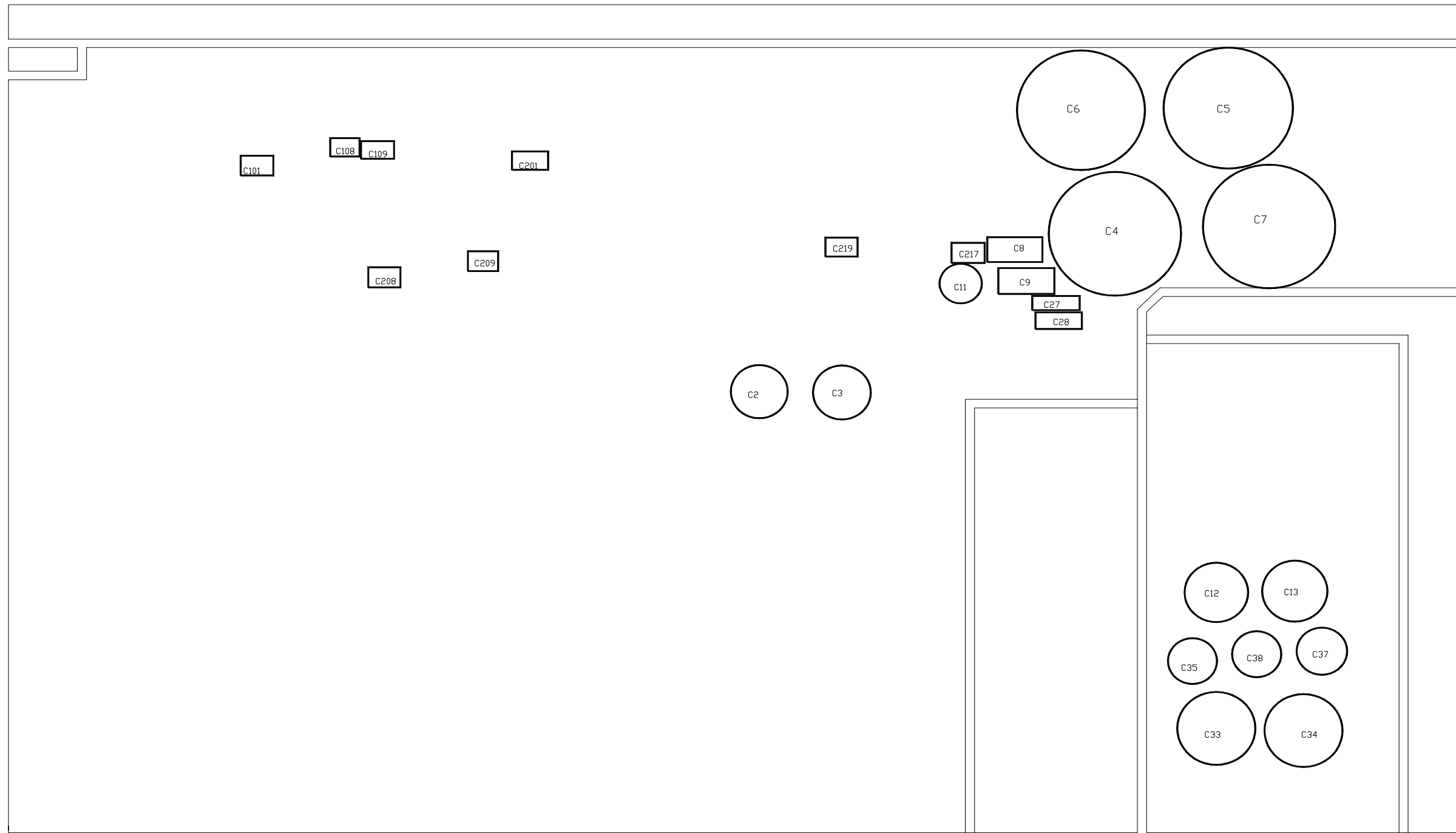



REV:	DATE:	DESCRIPTION	ECR/ECN NO:	CHG'D BY:	APPR'D BY:	DATE:
9	11/07/00	CHG'D CAP HD SCREW -01 TO -02 ON -02 VERSION	N00412	REM		
8	2/23/00	CHANGE HEATSINK QTY	N00237	MEZ		
7	3-31-99	CHG'D JACK TO 39-116-01	990065	REM		
6	12-17-97	UPDATE TO AGREE WITH SCHEMATIC	970827	REM		
5	11-17-97	CHG'D C8 AND C9 TO FORMED LEADS	970738	SWR		
4	10-10-97	RADIAL CONVERSION	970586	MAG		
3	1-27-97	CHG'D W1 AND W2	970032	REM		
2	10-26-96	CHG'D VALUE OF R169 AND R270	960466	REM		
1	10-8-96	CHG'D VALUE OF R27 AND R31	960432	REM		

THE INFORMATION CONTAINED ON THIS DRAWING IS PROPRIETARY TO ST. LOUIS MUSIC, INC.

SIGNATURES:		DATE:	 11880 Borman Dr. St. Louis, Missouri 63146
DRAWN: REM		7-1-96	
CHK'D:			
RLS'D:			
TOLERANCES:	DRAWING SIZE: D	DRAWING TITLE:	
	DRAWING TYPE:	PICTORIAL	
	CLASS CODE:	DRAWING NO:	
	SCALE: 1:1	SHEET: 1 OF 4	07P428-XX

GOOP PARTS INDICATED PER STANDARD GOOP PRACTICE



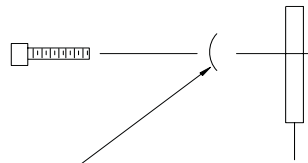
9	SEE SHT 1 FOR REV HISTORY					
REV:	DATE:	DESCRIPTION	ECR/ECN NO:	CHNG'D BY:	APPR'D BY:	DATE:
THE INFORMATION CONTAINED ON THIS DRAWING IS PROPRIETARY TO ST. LOUIS MUSIC, INC.						
SIGNATURES:			DATE:		11880 Borman Dr. St. Louis, Missouri 63146	
DRAWN: REM			7-1-96			
CHK'D:						
RLS'D:						
TOLERANCES:			DRAWING SIZE: D		DRAWING TITLE:	
			DRAWING TYPE:		PICTORIAL	
CLASS CODE:			DRAWING NO:		07P428-XX	
SCALE: 1:1			SHEET: 3 OF 4			

ITEM	PART NO.	DESCRIPTION	WHERE USED	QTY.
1	23-308-05	1.5A SB FUSE		2
2	23-313-05	1/8A SB FUSE		1
3	30-408-52	4-40 X 1/2 PPHD M/S	TO-220'S TO HTSNK BRKT	2
4	30-442-52	4-40 A.F. HEX KEP ASSY	TO-220'S TO HTSNK BRKT	2
5 ^{DR}	30-651-01	6-32 X 1/2 CAP HD SCREW	MOSFET'S TO HTSNK -01 ASSY	20
5 ^{DR}	30-443-02	4-40 X 1/2 CAP HD SCREW	MOSFET'S TO HTSNK -02 ASSY	20
6	30-638-53	6-32 X 3/8 PPH MS SEMS	AC CNCTR TO BRD, HTSNKS TO BRD	8
7	30-700-01	6-32 HEX KEPNUT ASSY	AC CNCTR TO BRD	2
8	33-004-01	HEATSINK CLIP		4
9 ^{DR}	33-428-01	SVT-4PRO HEATSINK	HTSNK FOR -01 ASSY	2
9 ^{DR}	33-405-01	SVT-4PRO HEATSINK	HTSNK FOR -02 ASSY	2
10	33-428-02	HEATSINK BRKT		1
11	33-576-01	TO-220 CLIP-ON AAVID		1
12	35-043-01	NYLON BUSHING NATURAL	TO-220'S TO HTSNK BRKT	2
13	35-570-02	BERQUIST SP-1500 1" ROLL		18"
14	35-575-01	BERQUIST K10-58		2
15	51-428-01	XSTR HEATSKINK CLAMP		3
16	68-602-01	RELAY DUST COVER T90		2
17	30-636-01	#6 BELLEVILLE WASHER	MOSFET'S TO HTSNK	20

PART # 07-428-01
 30-651-01 6-32 X 1/2 CAP HD SCREW
 TORQUE TO 11.0 +0.5 IN LBS
 OR

PART # 07-428-02
 30-443-02 4-40 X 1/2 CAP HD SCREW
 TORQUE TO 6-8 IN LBS

BELLEVILLE WASHER DETAIL
 SCALE : NONE



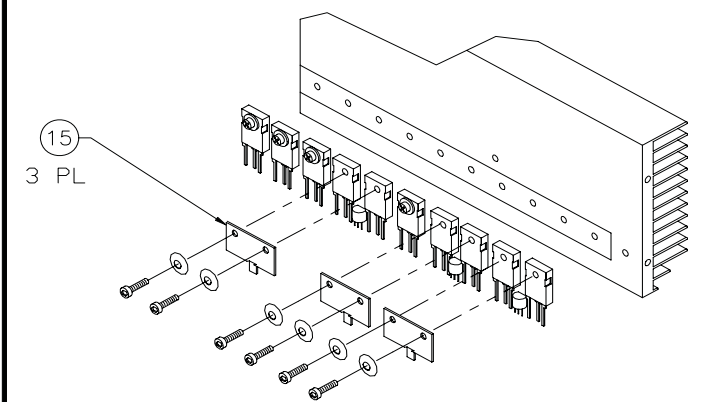
CORRECT ORIENTATION FOR BELLEVILLE WASHER.

REF FOR FET LOCATION
 - HEATSINK

TWIST RED & GRN WIRES
 BEFORE INSTALLING

TRANSISTOR HEATSINK MTG

TRANSISTOR HEATSINK MTG



9	SEE SHT 1 FOR REV HISTORY					
REV:	DATE:	DESCRIPTION	ECR/ECN NO:	CHNG'D BY:	APPR'D BY:	DATE:
THE INFORMATION CONTAINED ON THIS DRAWING IS PROPRIETARY TO ST. LOUIS MUSIC, INC.						
SIGNATURES:		DATE:		11880 Borman Dr. St. Louis, Missouri 63146		
DRAWN: REM		7-1-96		FIRST USED ON:		
CHK'D:				SVT-4PRO PWR AMP		
RLS'D:				DRAWING TITLE:		
DRAWING SIZE: D		DRAWING TYPE:		PICTORIAL		
CLASS CODE:		DRAWING NO:		07P428-XX		
SCALE: 1:1		SHEET: 4 OF 4				