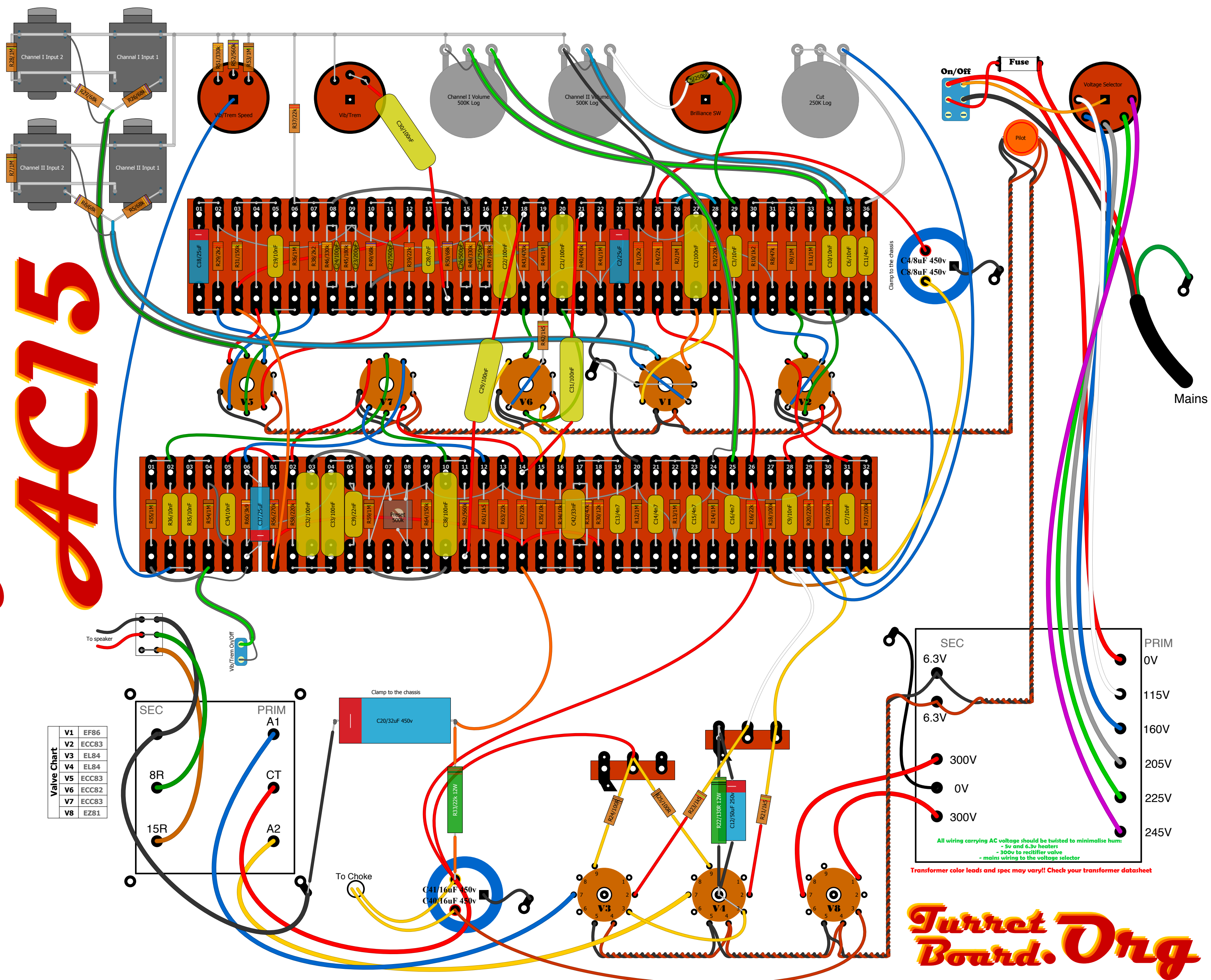


# TW extra VOX

# AC15



**Valve Chart**

V1	EF86
V2	ECC83
V3	EL84
V4	EL84
V5	ECC83
V6	ECC82
V7	ECC83
V8	EZ81

All wiring carrying AC voltage should be twisted to minimise hum  
 - 5v and 6.3v heaters  
 - 300v to rectifier valve  
 - mains wiring to the voltage selector

Transformer color leads and spec may vary!! Check your transformer datasheet

# Turret Board. Org