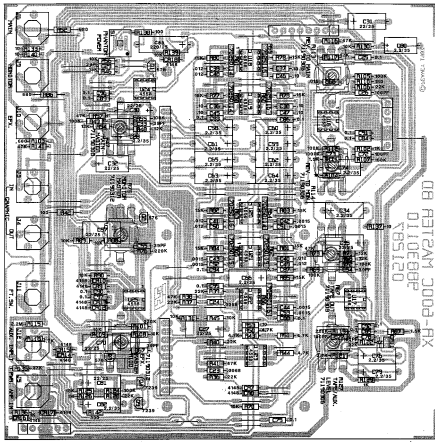


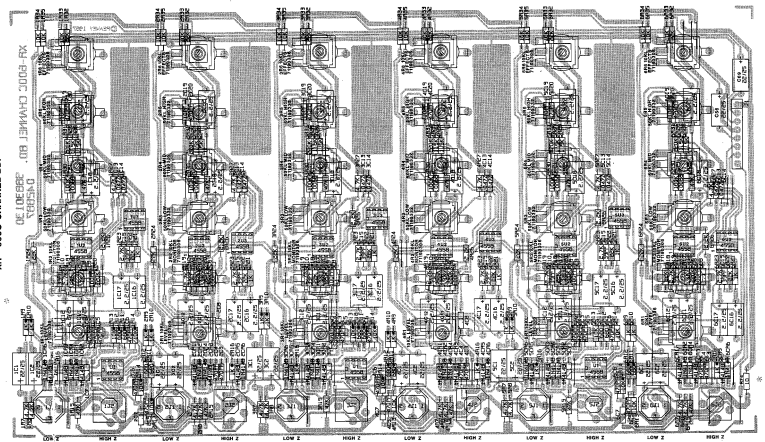
COPYRIGHT 1988 PEAVEY ELECTRONICS CORP. PRINTED IN U.S.A.

P/N 8228581

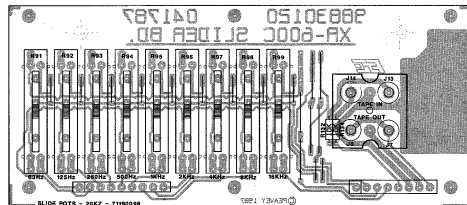
PEAVEY ELECTRONICS CORP.
 154 S. ST.
 MERRIDEN, MS
 DRAWN BY: *8228/115* DATE: *1-27-88*
 CHECKED BY: *8228/115*
 APPR. BY: *8228*



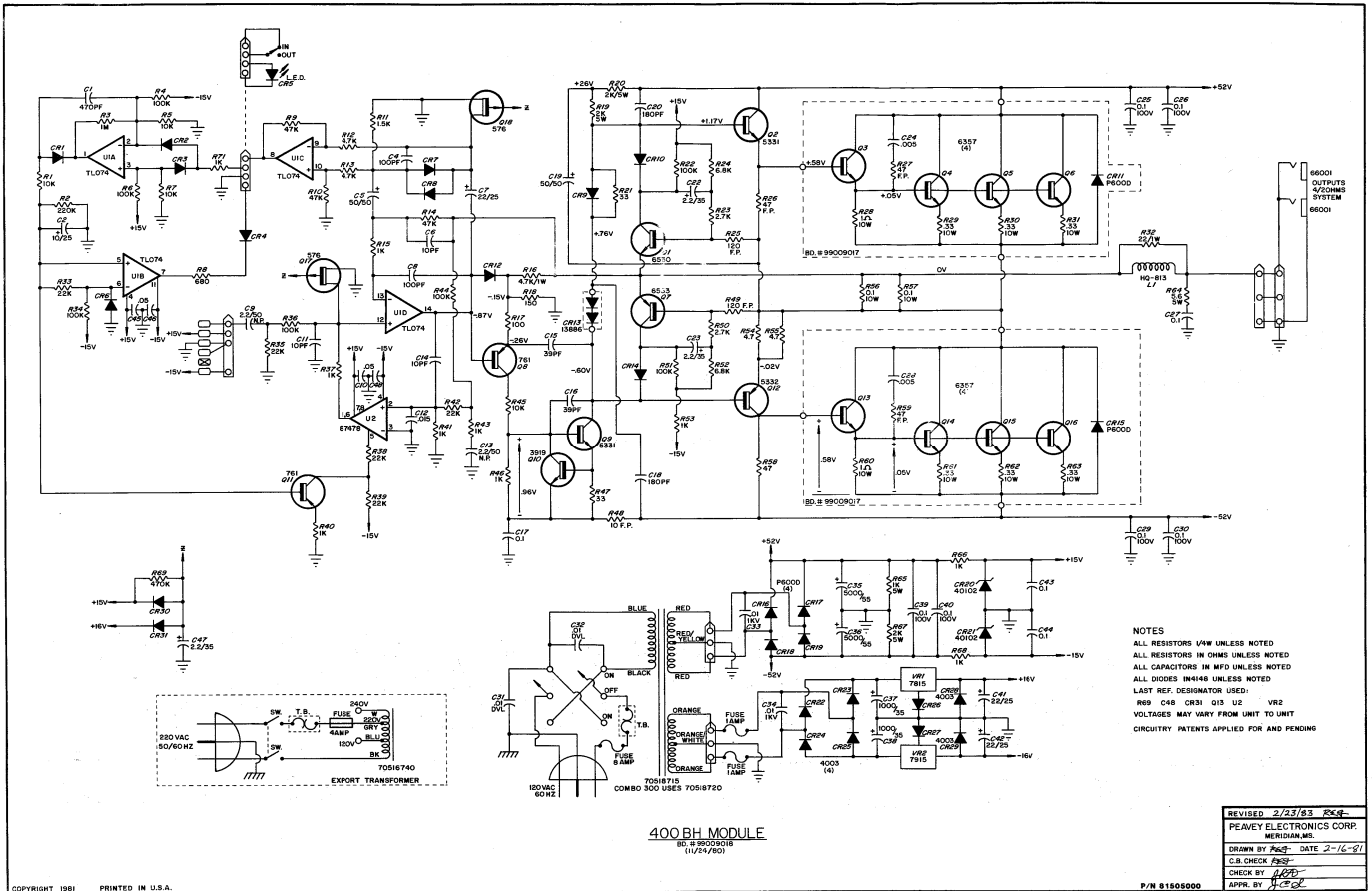
XR-600C MASTER BD.



XR-600C CHANNEL BD.



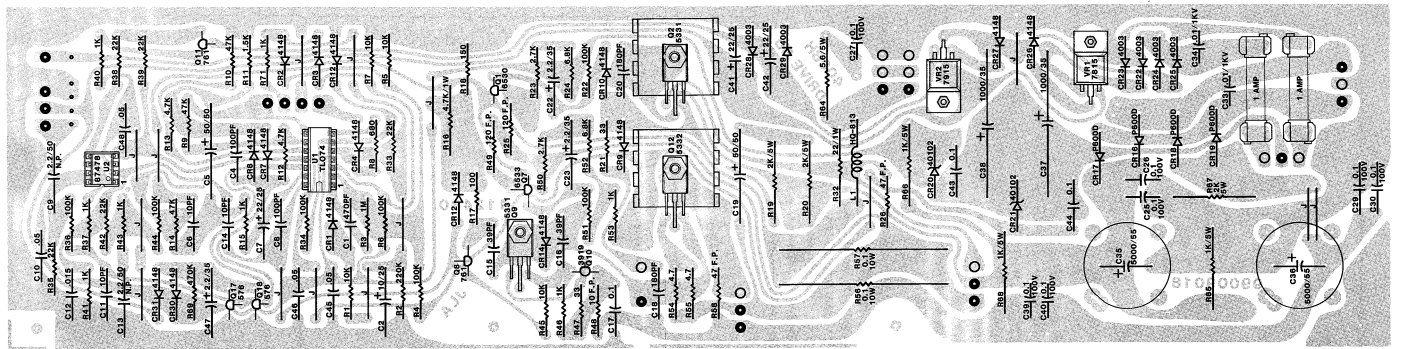
XR-600C SLIDER BD.



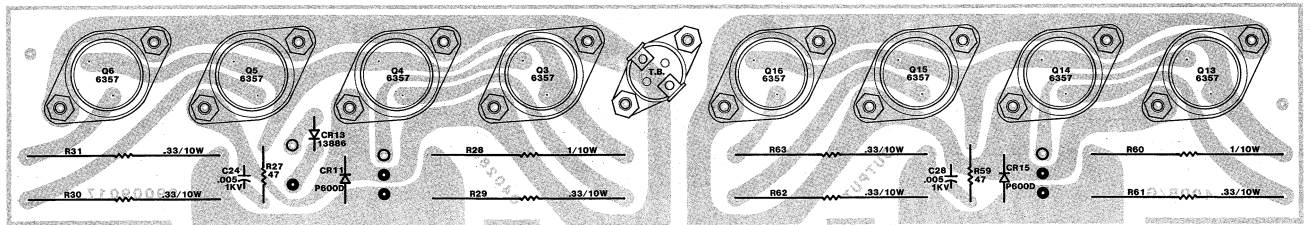
NOTES
 ALL RESISTORS 1/4W UNLESS NOTED
 ALL CAPACITORS IN MFD UNLESS NOTED
 ALL DIODES INM48 UNLESS NOTED
 LAST REF. DESIGNATOR USED:
 R69 C48 CR31 D13 U2 VR2
 VOLTAGES MAY VARY FROM UNIT TO UNIT
 CIRCUITRY PATENTS APPLIED FOR AND PENDING

400 BH MODULE
 BS # 9902916
 (1/24/80)

REVISED 2/23/83 RKN
PEAVEY ELECTRONICS CORP.
METHUEN, MA
DRAWN BY RKC DATE 2-16-81
C.B. CHECK FMS
CHECK BY LRP
APPR. BY JCB



400BH DRIVE BD.



400BH OUTPUT BD.