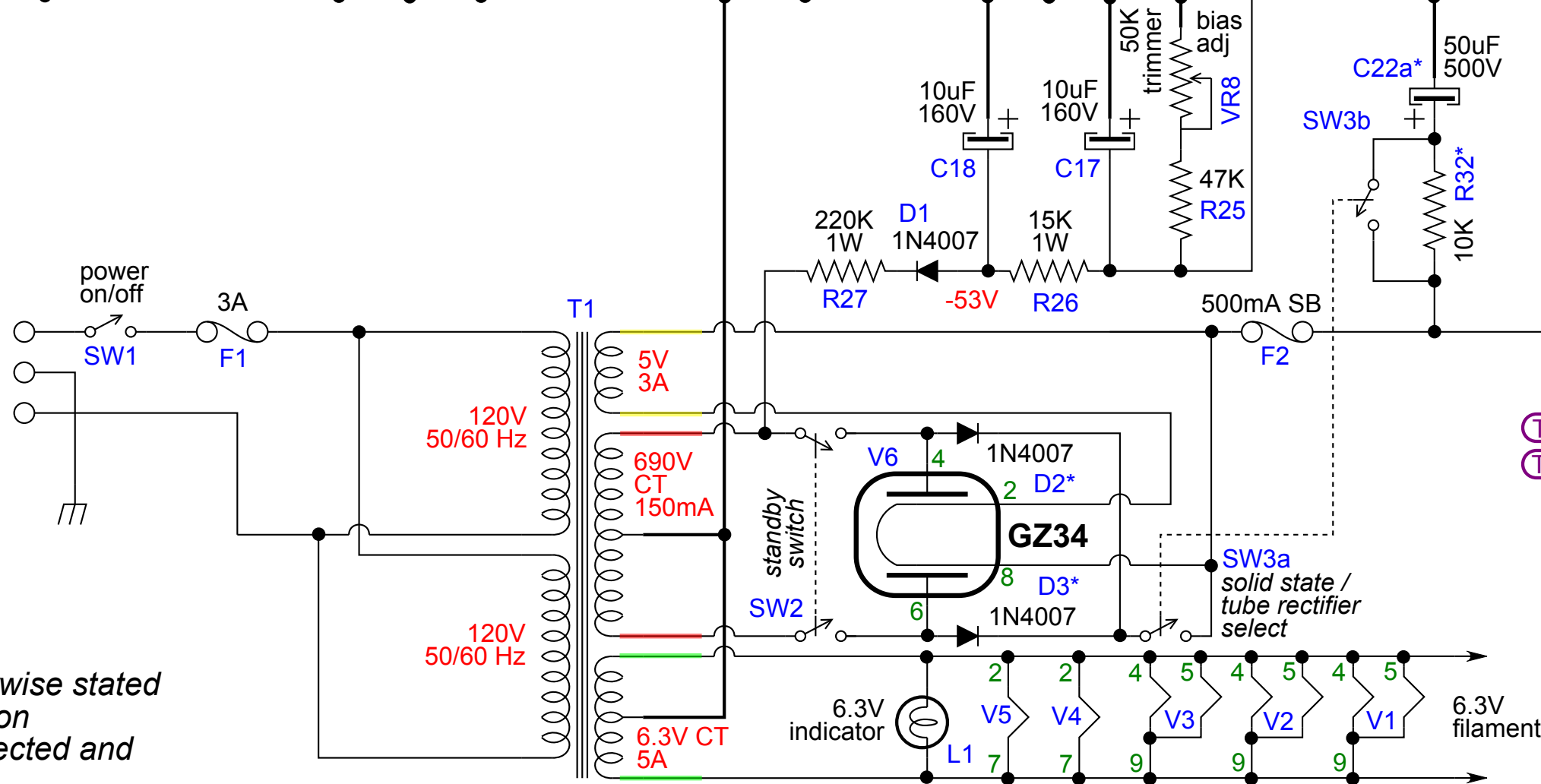


drawn by Robert Hull 2011  
tech@tubedepot.com

- \* - these components are mounted off the turret board.
- ▲ - change value of R9 to 56K when adding the slope resistor selection option.
- ◆ - alternate MkII bright channel value .0022 uF
- § - change values to 100K for model 2204 type added gain.
- aX - wire these two points together if not using the stock kit master volume

- all resistors are 1/2W unless otherwise stated
- all capacitors are 500V (or better) unless otherwise stated
- all annotated voltages are +/- 10% and based on 120V / 60Hz mains with solid state rectifier selected and all controls on zero.
- all voltage measurements are made with chassis ground as reference.



**TP1 - Bias Test Points**

- TP1 For EL34 power tubes, adjust the bias control to measure between 30mV - 36mV per tube.
- TP2 For 6L6GC power tubes, adjust the bias control to measure between 30mV - 43mV per tube.
- For 6550 power tubes, adjust the bias control to measure between 43mV - 60mV per tube.

NOTE: The value of R25 may require adjustment if the bias is either too hot or too cold.

# British JTM45+

## Schematic v3.0