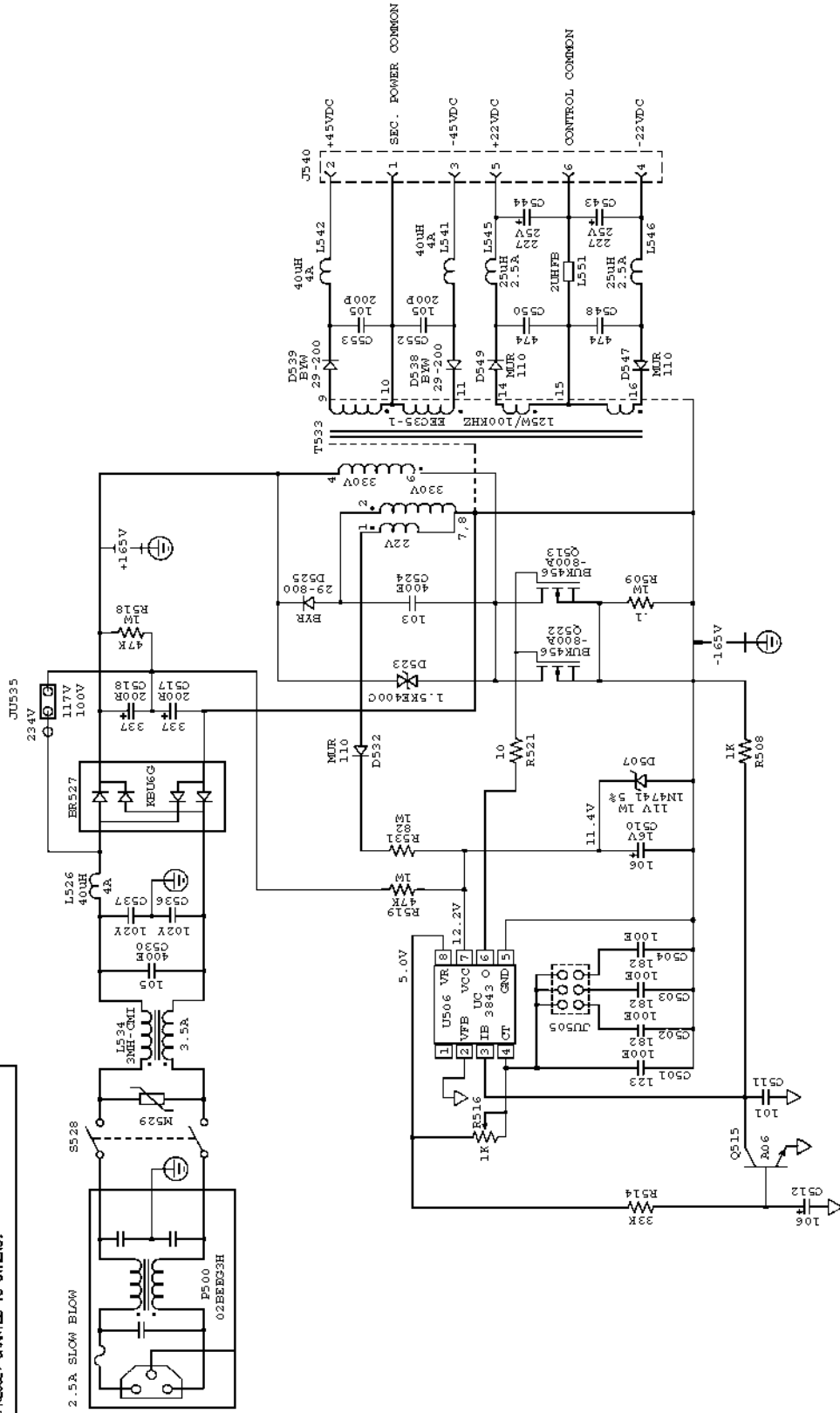


THIS INFORMATION AND DESIGN DISCLOSED HEREIN WAS ORIGINATED BY AND IS THE PROPERTY OF GALLIEN-KRUEGER. GALLIEN-KRUEGER RESERVES ALL PATENT, PROPRIETARY, DESIGN, MANUFACTURING, REPRODUCTION, USE AND SALES RIGHTS THEREIN, AND TO ANY ARTICLE DISCLOSED THEREIN, EXCEPT TO THE EXTENT RIGHTS ARE EXPRESSLY GRANTED TO OTHERS.



PCO#	DATE	FIRST SN	PCO#	DATE	FIRST SN	PCO#	DATE	FIRST SN
26	10/90							

GALLIEN-KRUEGER		MODEL #:	DATE:	DESCRIPTION: 125W/100KHZ
SCHEMATIC PG: 1 OF: 1		MICRO SERIES	10-9-90	POWER SUPPLY
		DESIGNED BY:	BOARD #:	PCO#-DATE:
		A.MITHALKA	406-0071E	26 - 10/90
				FROM SN# TO SN: