

# BOSS MZ-2

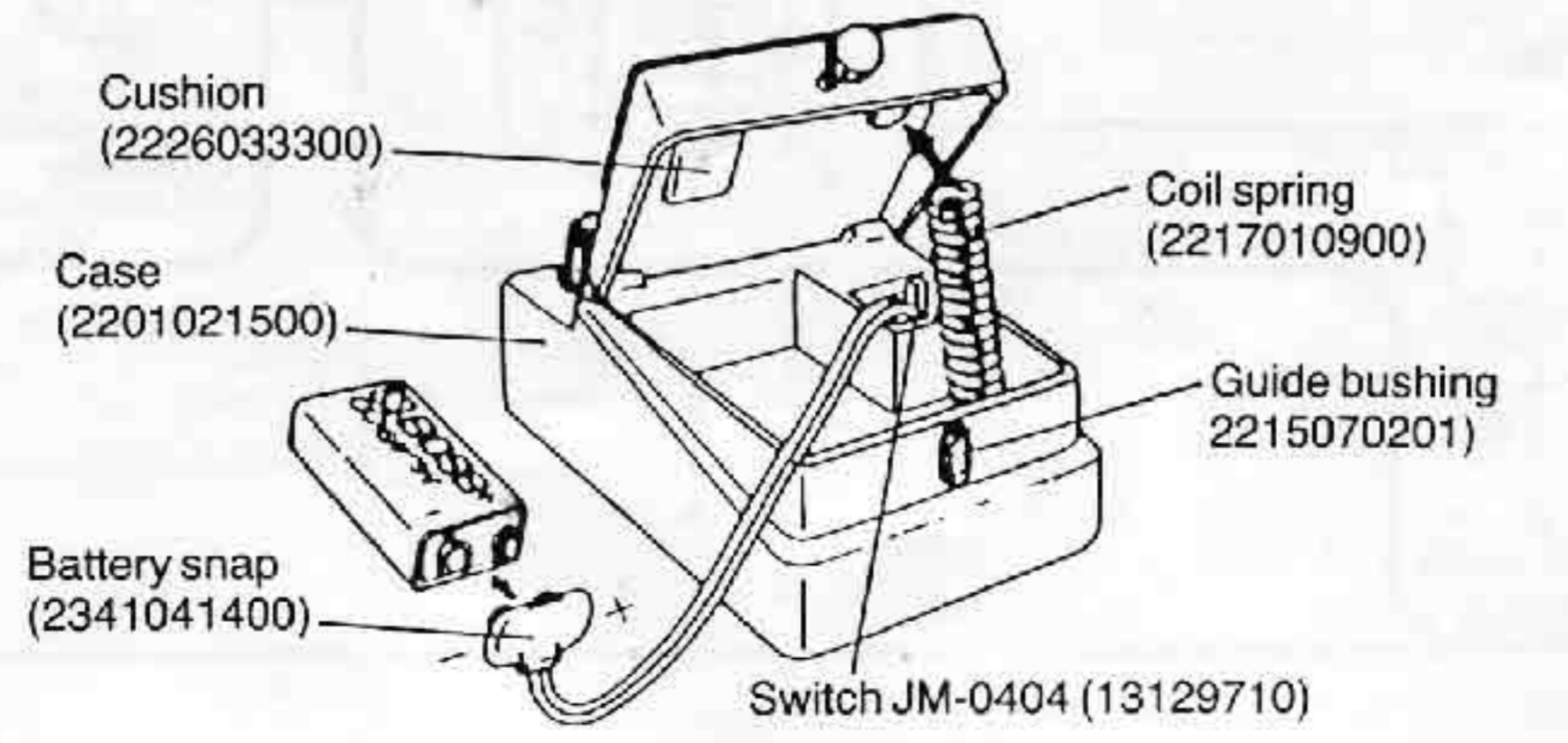
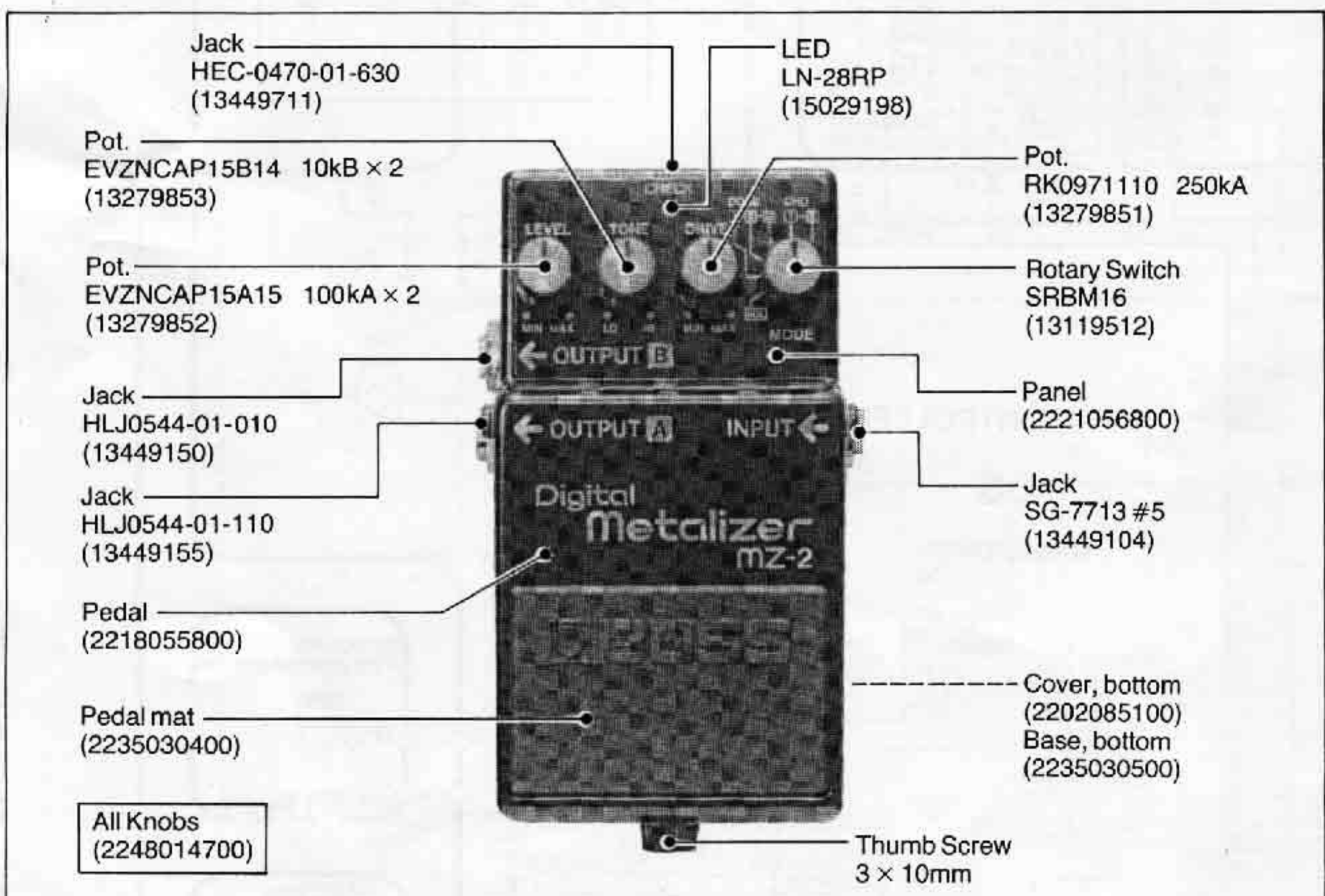
# SERVICE NOTES

*First Edition*

scanned by [the reverse engineers]

## SPECIFICATIONS

Power Source .....	9V Battery (006P) × 1 or AC adaptor (BOOS PSA Series or RPW-7)
Current Draw .....	70mA@ 9V DC
Equivalent Input Noise .....	Less than - 120dBm (IHF-A)
Input Impedance .....	1MΩ
Output Load Impedance .....	More than 10kΩ
Dimensions .....	70(W) × 55(H) × 125(D)mm 2-3/4(W) × 2-3/16(H) × 4-15/16(D)in.
Weight .....	450g/1lb
Sampling System .....	12 bit Linear
Sampling Rate .....	70 kHz



# ADJUSTMENT

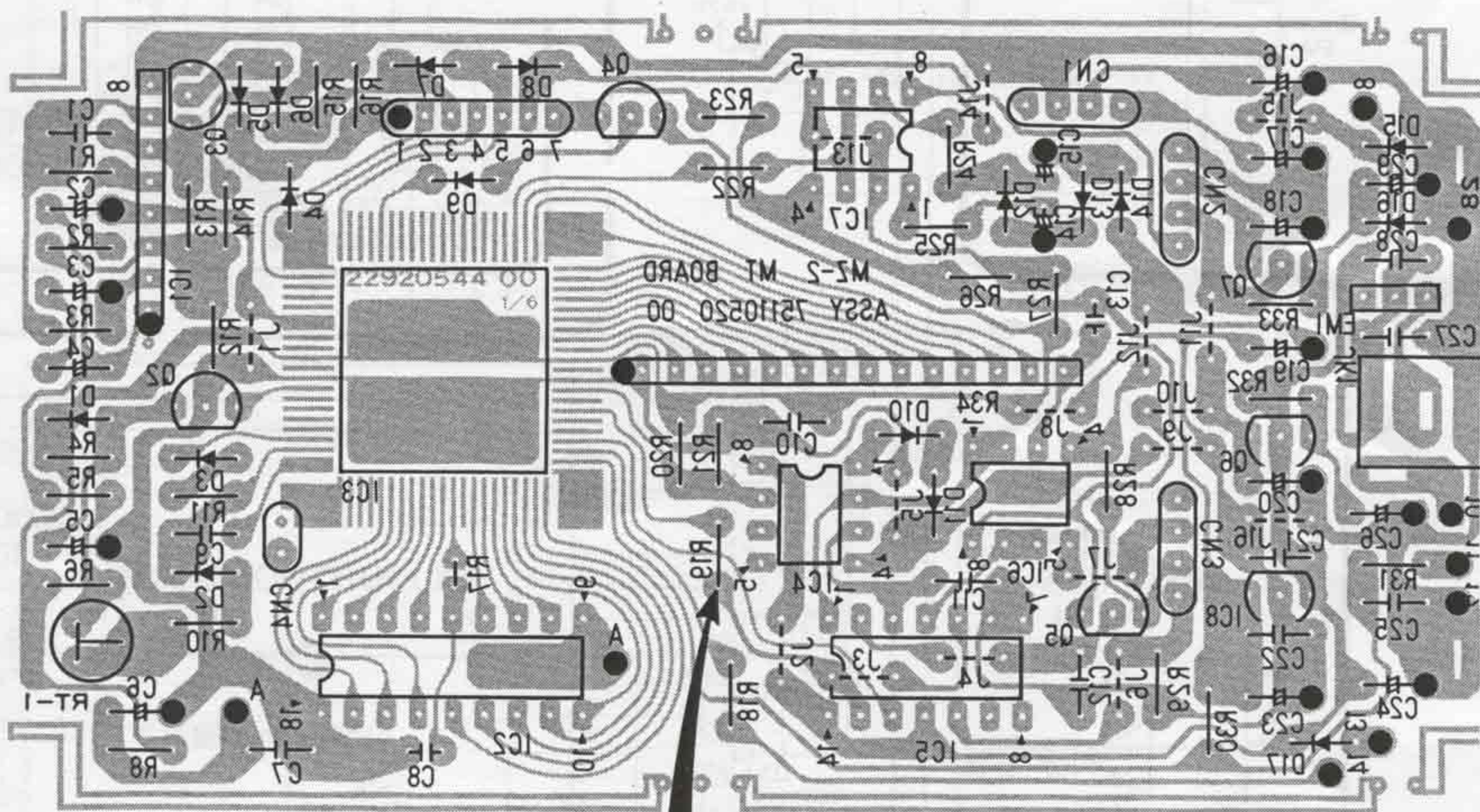
## CLOCK FREQUENCY

1. Set MODE knob to SGL position (or any position except for CHO I and CHO II).
2. Connect a frequency counter to TP-1 (on MT board). (See Circuit Diagram.)
3. Adjust RT-1 (on MT board) for 70kHz.

## 調整仕様

### クロック周波数

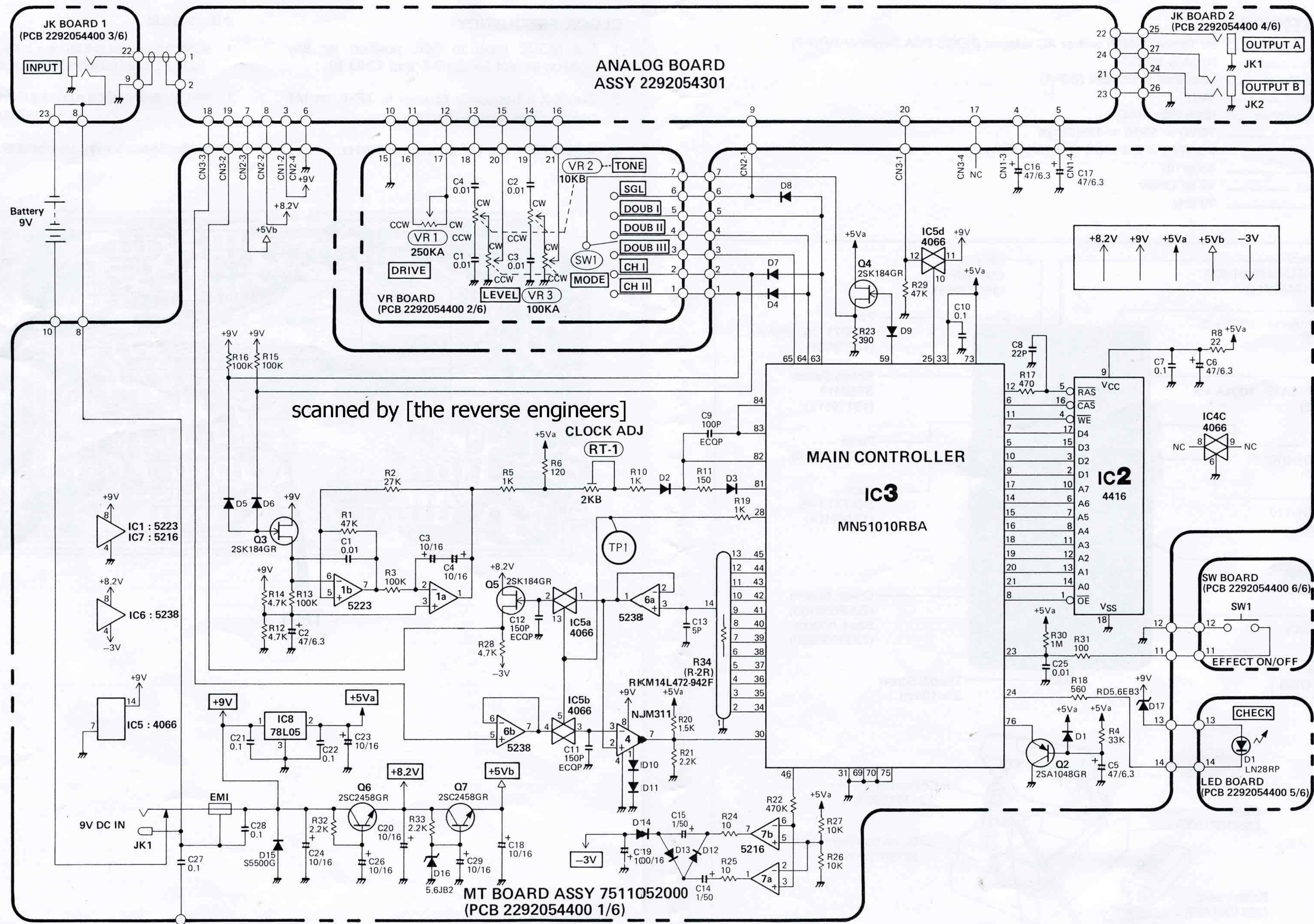
1. MODEつまみをSGLの位置にセットする。  
(CHO I、CHO II以外の位置であれば良い。)
2. TP-1(MT基板)に周波数カウンタを接続する。  
(回路図参照)
3. 周波数が70kHzになる様にTR-1(MT基板上)を調整する。



scanned by [the reverse engineers]

TP-1

# CIRCUIT DIAGRAM



scanned by [the reverse engineers]

MT BOARD ASSY 7511052000 (PCB 2292054400 1/6)

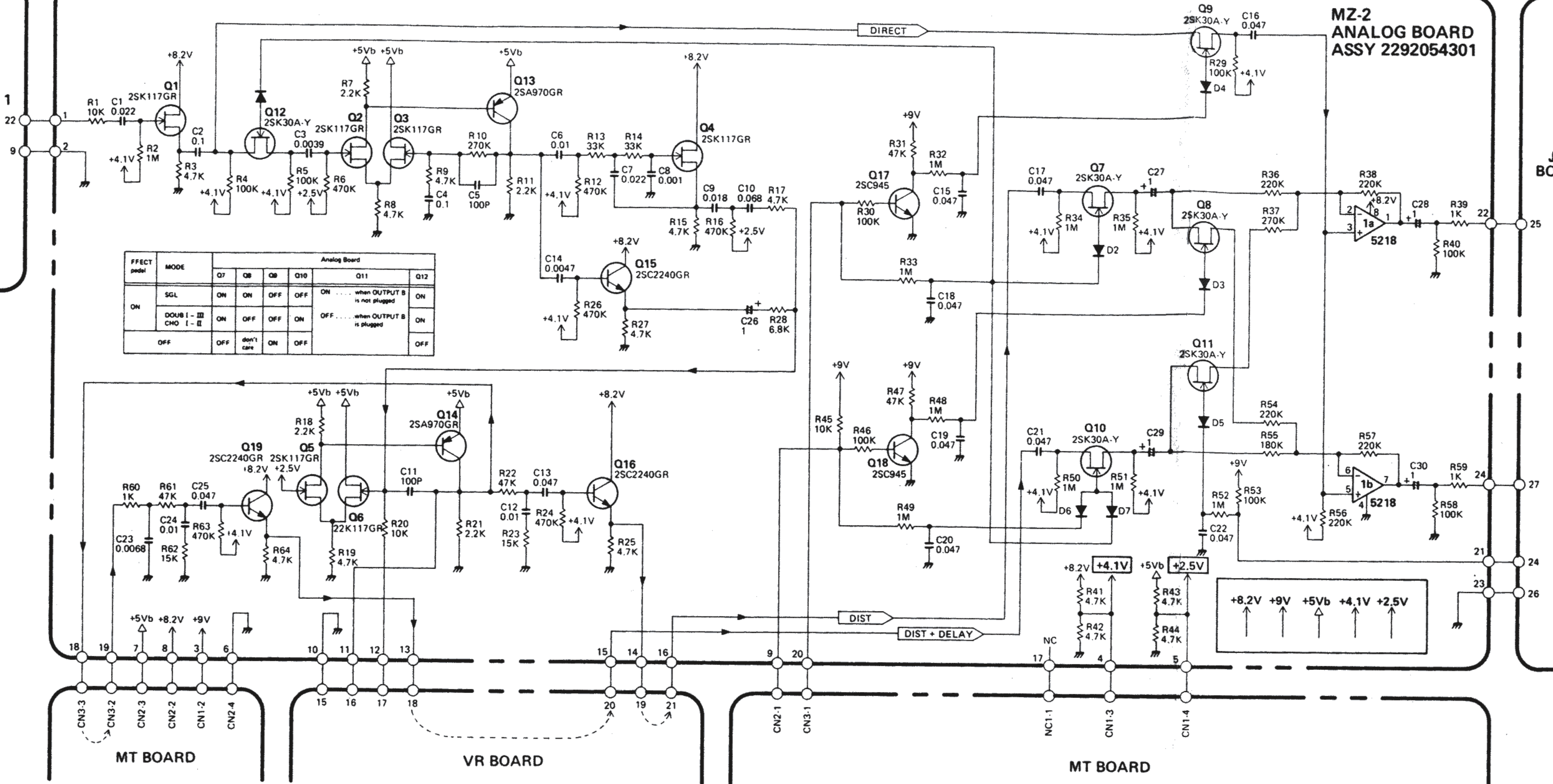
JACK BOARD 1

MZ-2  
ANALOG BOARD  
ASSY 2292054301

JACK BOARD 2

FFECT pedal	MODE	Analog Board					
		Q7	Q8	Q9	Q10	Q11	Q12
ON	SGL	ON	ON	OFF	OFF	ON ... when OUTPUT B is not plugged	ON
	DOUB I - III CHO I - II	ON	OFF	OFF	ON	OFF ... when OUTPUT B is plugged	ON
OFF		OFF	don't care	ON	OFF		OFF

Scanned by [the reverse engineers]



MT BOARD

VR BOARD

MT BOARD

# MT BOARD

ASSY 751105220  
(pcb 2292054400 1/6)

# SW BOARD

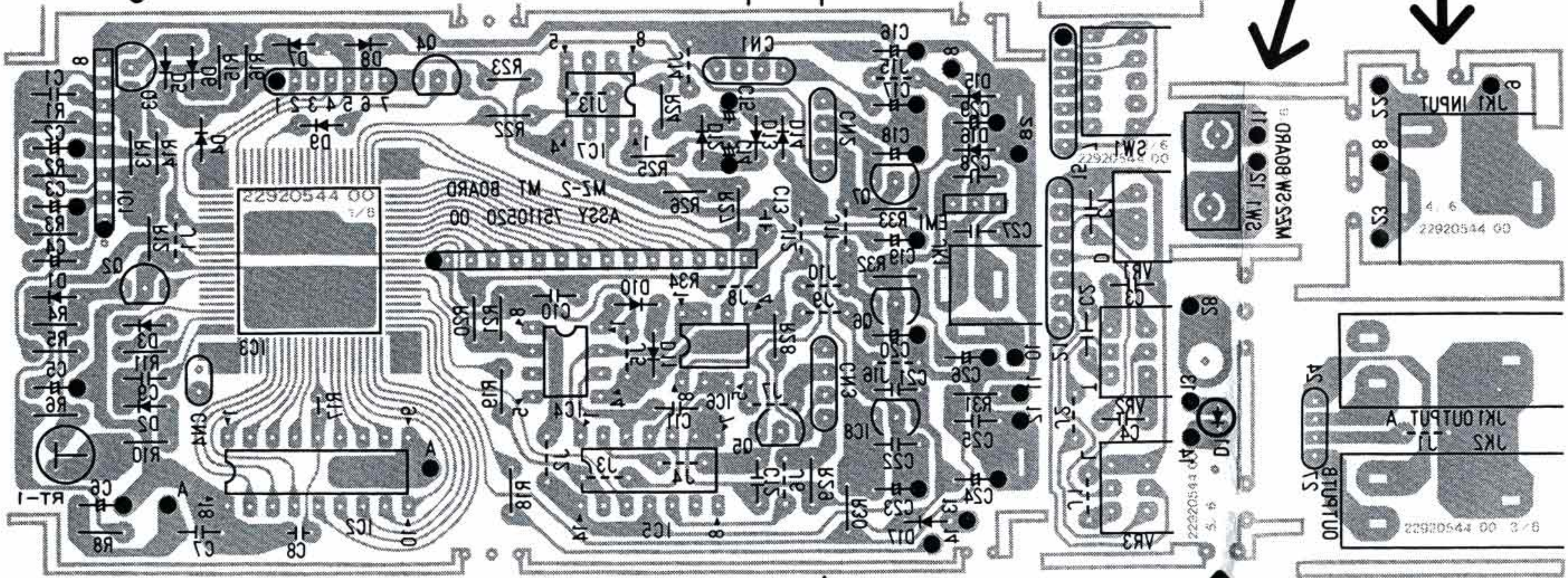
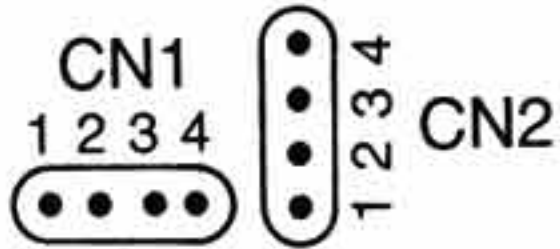
(pcb 2292054400 6/6)

# VR BOARD

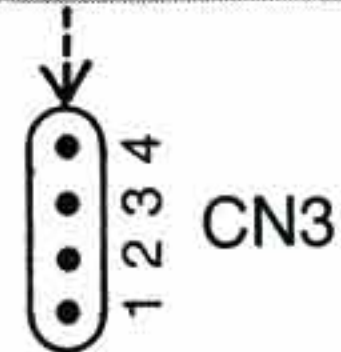
(pcb 2292054400 2/6)

# JK BOARD 2

(pcb 2292054400 4/6)



scanned by [the reverse engineers]

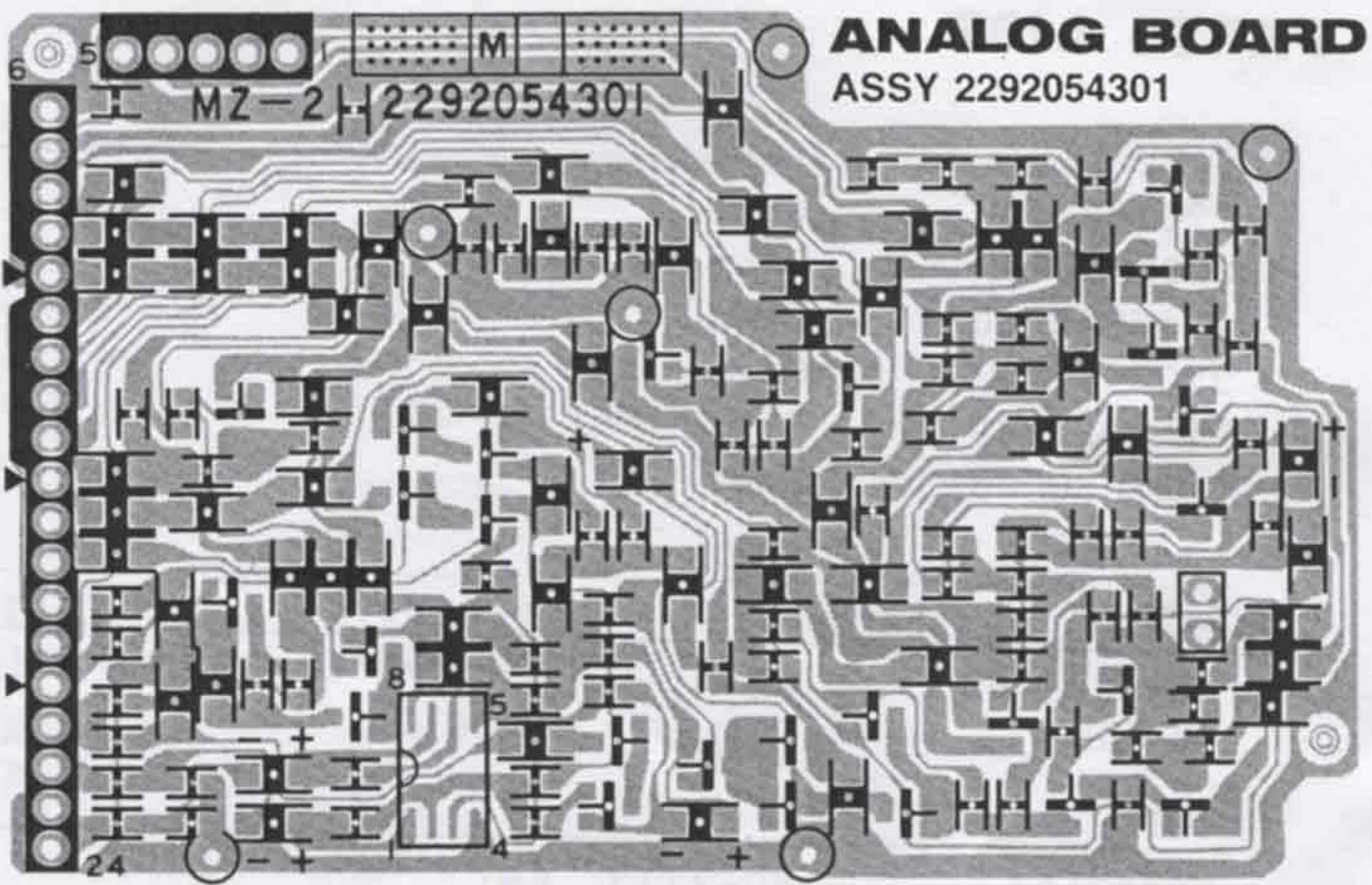


# LED BOARD

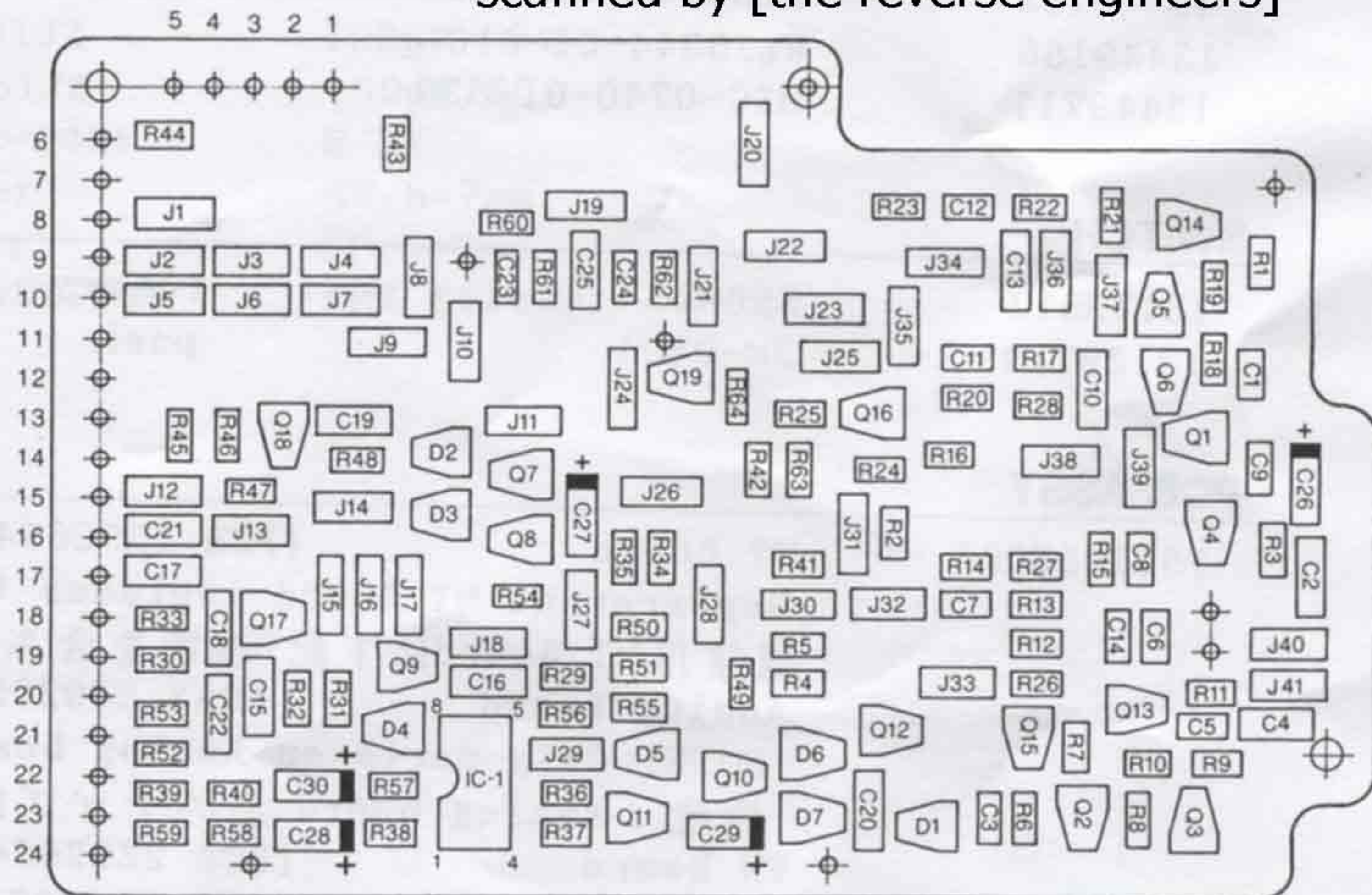
(pcb 2292054400 5/6)

# JK BOARD 1

(pcb 2292054400 3/6)



scanned by [the reverse engineers]



# PARTS LIST

## CASING

---

2201021500	Case
2221058400	Panel
2218055800	Pedal
2202085100	Cover
2235030400	Pedal Mat
2235030500	Base

## KNOB

---

2248014700	Knob	red
------------	------	-----

## JACK

---

13449104	SG-7713 #5	INPUT
13449155	HLJ0544-01-110	OUTPUT A
13449150	HLJ0544-01-010	OUTPUT B
13449711	HEC-0740-01-630	9V DC IN

## SWITCH

---

13119512	SRBM16	rotary	MODE
13129710	JM-0404	push	EFFECT ON/OFF

## PCB ASSY

---

7511052000	MT Board	(PCB 2292054400 1/6)
	Replacement MT Board includes the following 6 boards.	
	補修用MT Boardは下記6基板を含みます。	
	Analog Board	(ASSY 2292054301)
	NOTE: Chip parts on Analog board are not available.	
	注意: Analog board 上のチップ部品は供給されません。	
	VR Board	(PCB 2292054400 2/6)
	JK Board 1	(PCB 2292054400 3/6)
	JK Board 2	(PCB 2292054400 4/6)
	LED Board	(PCB 2292054400 5/6)
	SW Board	(PCB 2292054400 6/6)

## IC

---

15229875	MN51010RBA	BOS-008	gate array
15179376	MB81416-10		4x16k DRAM
15189193	M5238P		op-Amp
15189185	M5223L		op-Amp
15189183	M5216P		op-Amp
15189111J1	NJM311D		comparator
15159115H0	HD14066BP		analog switch
15199144	upc78L05J		voltage regulator

## TRANSISTOR

---

15119149	2SA1048GR	PNP
15129185	2SC2458GR	NPN
15139131	2SK-184-GR	FET

## DIODE

---

15019209T0	S-5500G		
15019303	RD5.6JB-2	zener	
15019526	RD5.6EB-3	zener	
15019125	1SS-133		
15029198	LN-28RP	LED	CHECK

## POTENTIOMETER

---

13279853	EVZNCAP15B14	10kBx2	TONE
13279852	EVZNCAP15A15	100kAx2	LEVEL
13279851	RK0971110	250kA	DRIVE
13299216	EVN-5ACA00B23	2kB	RT-1

## MISCELLANEOUS

---

13589331M0	ECQ-P1H101JZ	100pF/50V	
13589330M0	ECQ-P1H151JZ	150pF/50V	
13919175	RKM14L472-942F	R-2R	
2220011800	PCB Holder	4P h=7mm	
2220014500	PCB Holder	2P h=7mm	
13529145	DSS306-55FZ103N	EMI Filter	