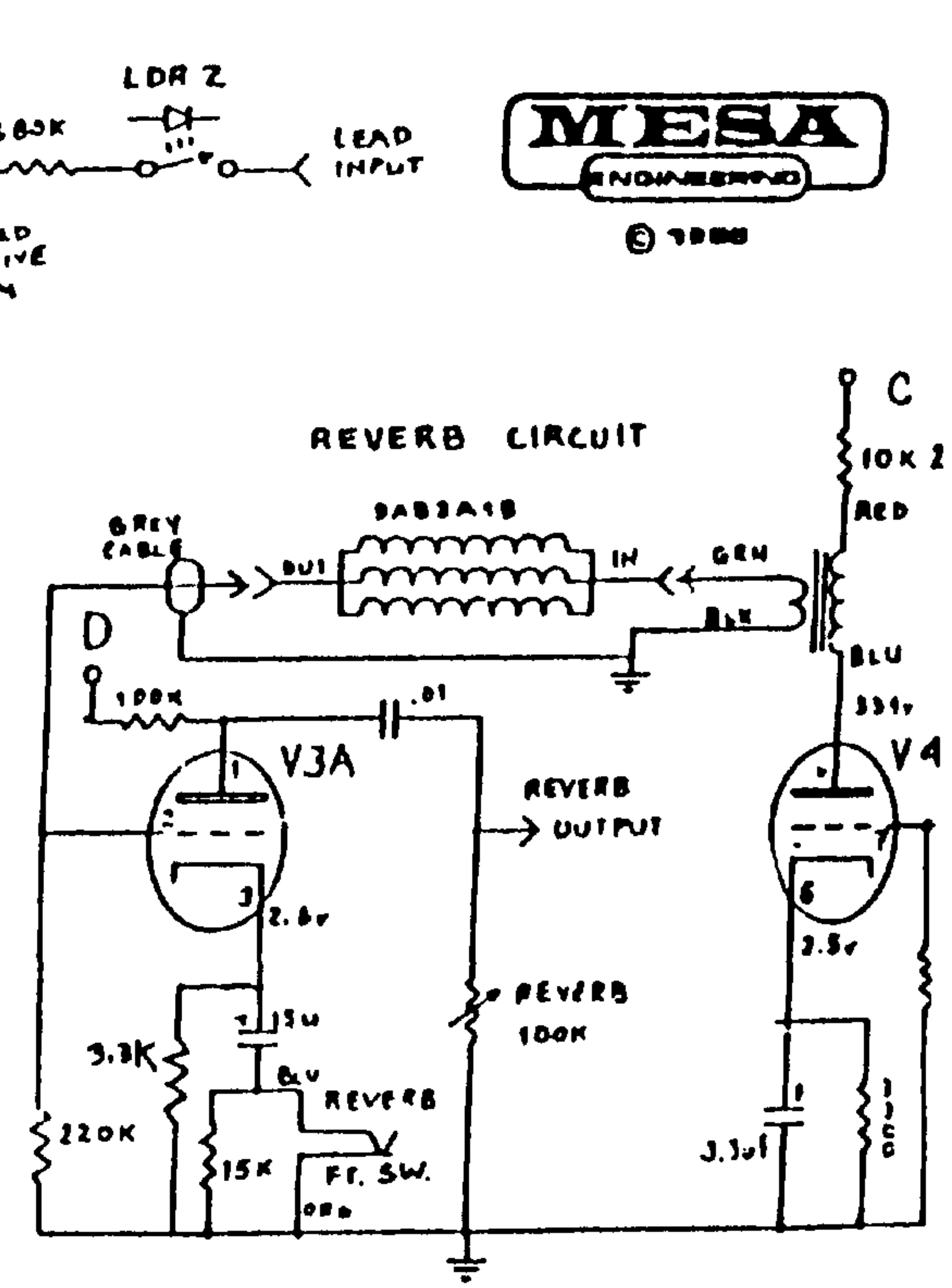
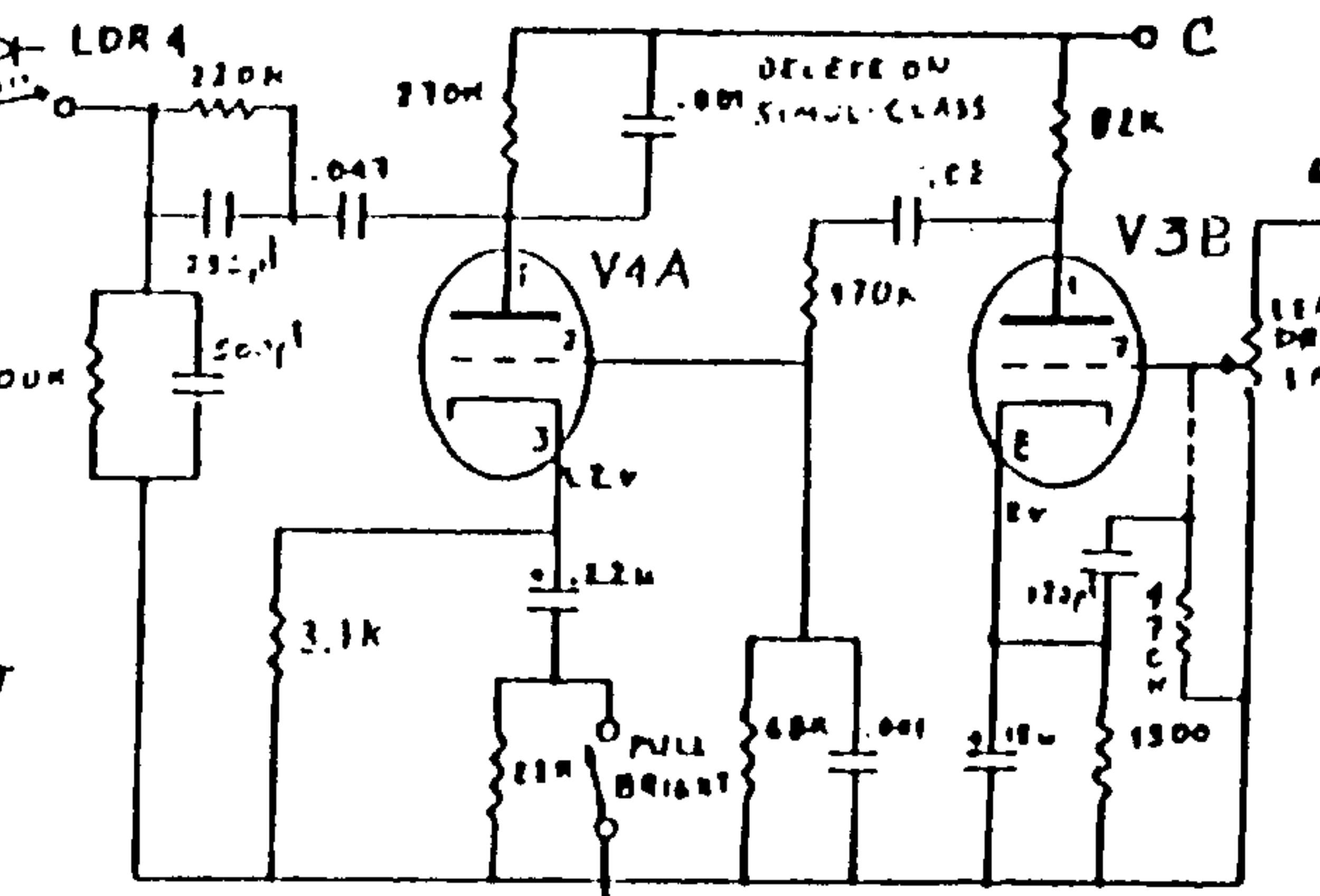
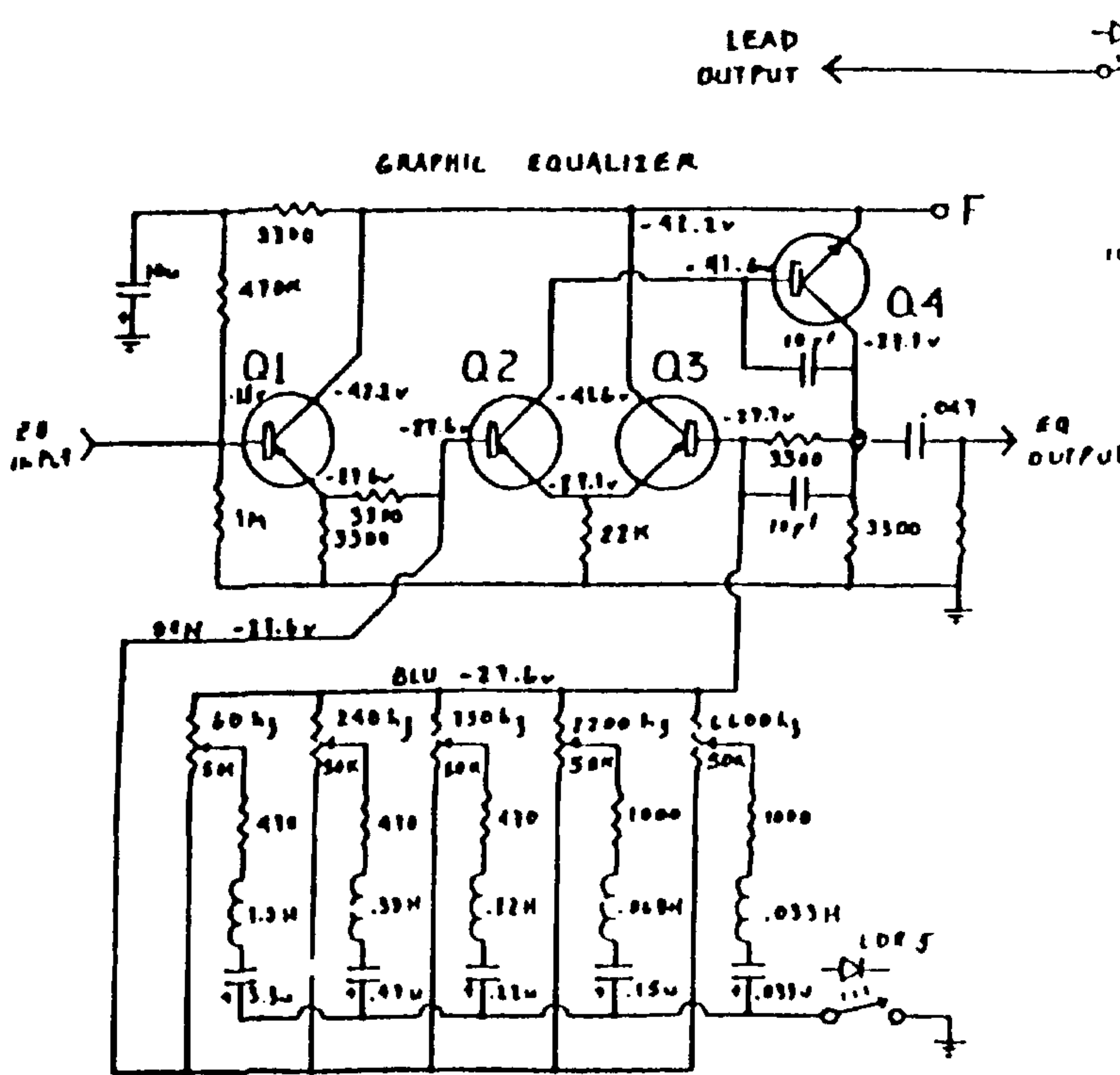
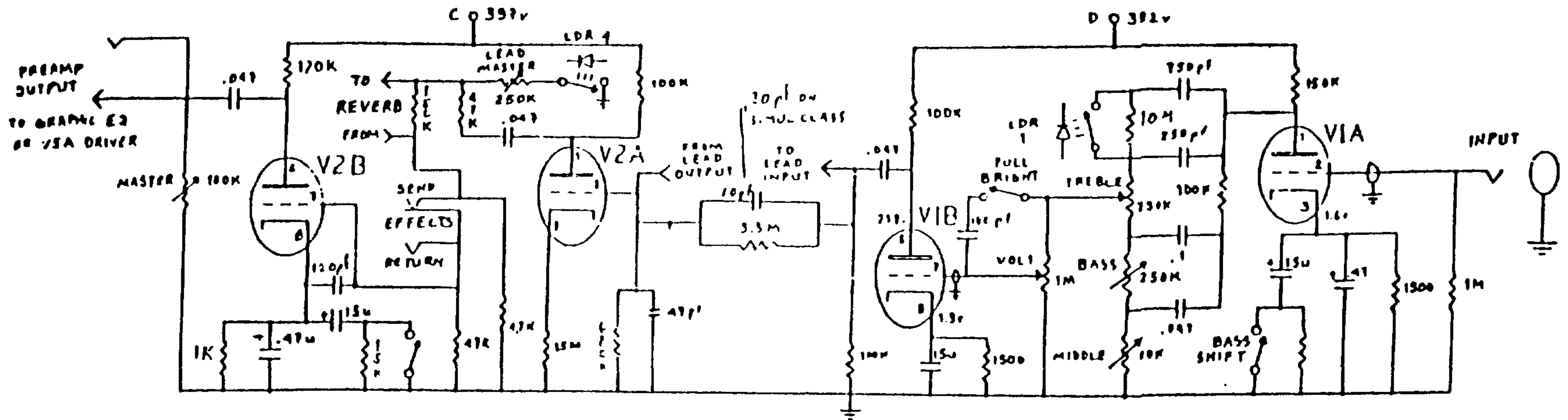


MESA/BOOGIE MARK IIC+ Guitar Preamplifier



© 1988

NOTICE: INFRINGERS BEWARE!

This design and circuit is protected under U.S. Patent 4,211,893 and others world-wide. It has been successfully prosecuted against infringers who have paid very large fines and/or been forced out of business!

