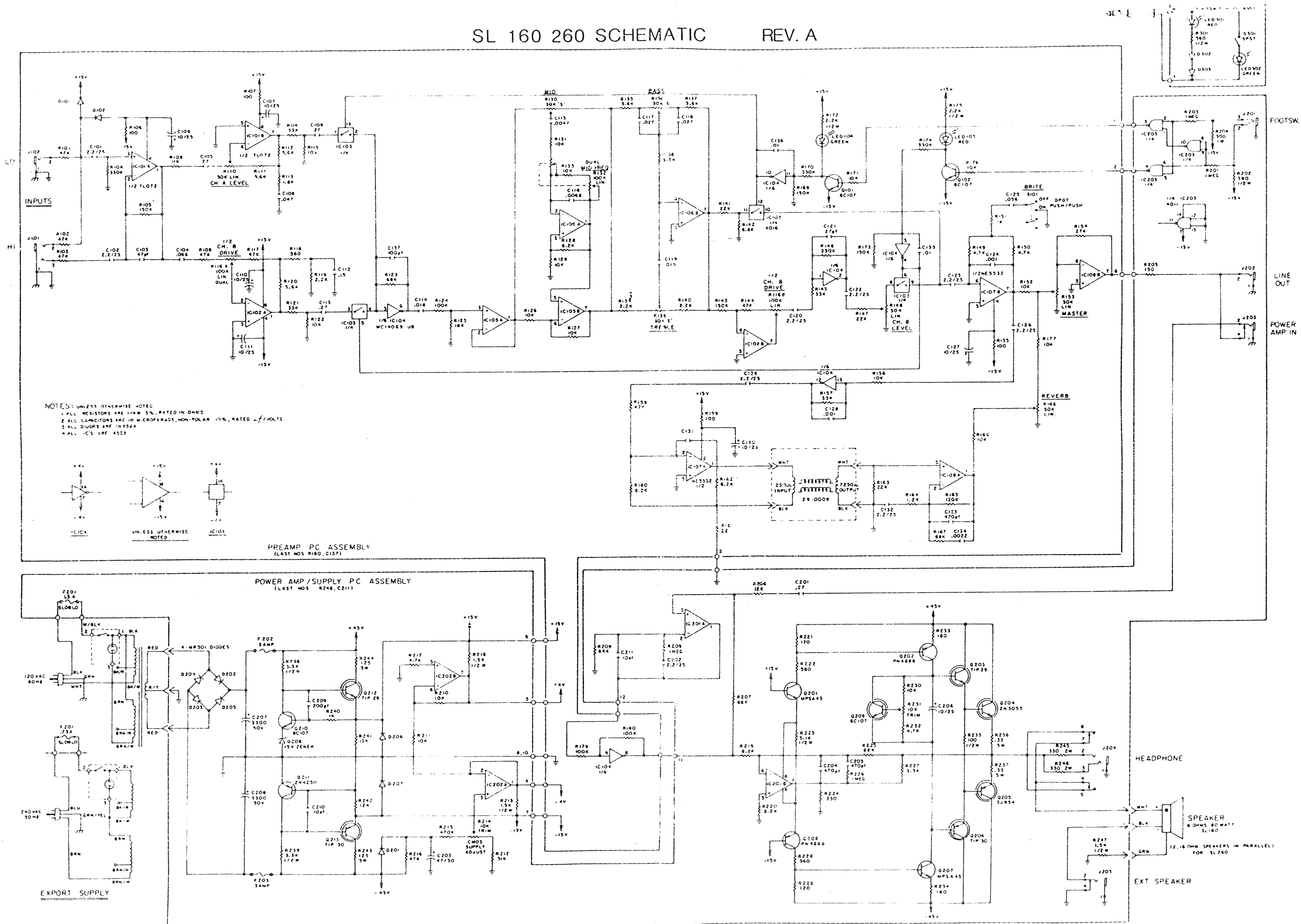
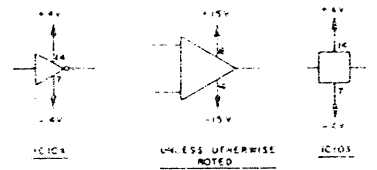


SL 160 260 SCHEMATIC REV. A

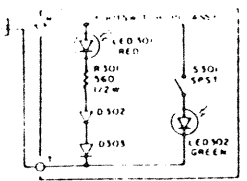


NOTES: UNLESS OTHERWISE NOTED
 1 ALL RESISTORS ARE 1/4W 5% RATED IN OHMS
 2 ALL CAPACITORS ARE IN MICROFARADS, NON-POLAR 10% RATED f VOLTS
 3 ALL DIODES ARE IN 1N57A
 4 ALL IC'S ARE 4558



PREAMP PC ASSEMBLY
 (LAST NOS R100, C157)

POWER AMP/SUPPLY PC ASSEMBLY
 (LAST NOS R248, C211)



FOOTSW.

LINE OUT

POWER AMP IN

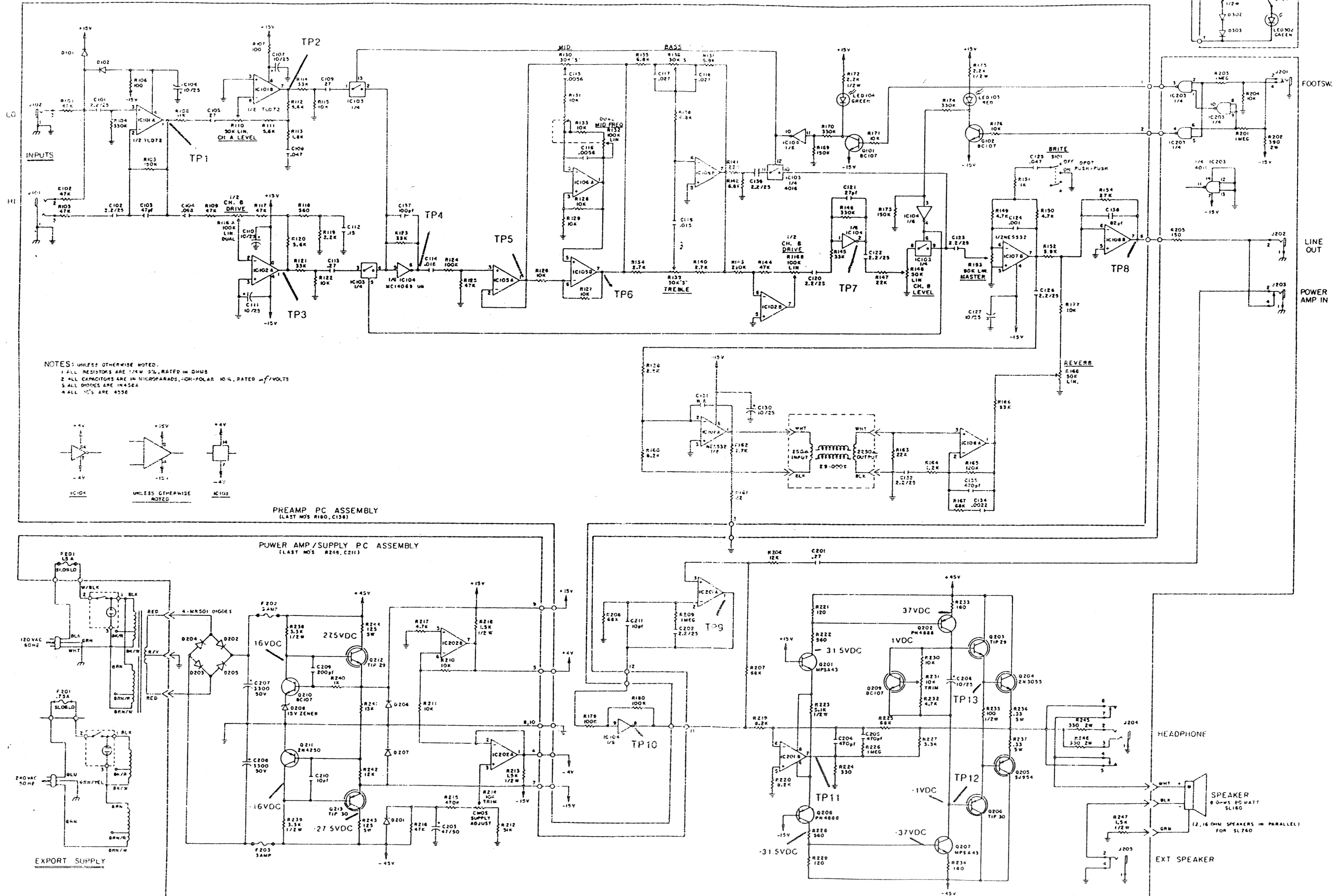
HEADPHONE

SPEAKER
 8 OHMS 80 WATT
 SL160

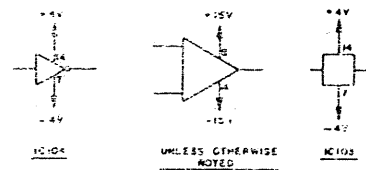
EXT SPEAKER

SL160 & SL260 SCHEMATIC

REV B



NOTES: UNLESS OTHERWISE NOTED.
 1 ALL RESISTORS ARE 1/4W 5%, RATED IN OHMS
 2 ALL CAPACITORS ARE IN MICROFARADS, NON-POLAR 10%, RATED $V/VOLTS$
 3 ALL DIODES ARE 1N4564
 4 ALL IC'S ARE 4558



PREAMP PC ASSEMBLY
(LAST NOS. R180, C158)

POWER AMP/SUPPLY PC ASSEMBLY
(LAST NOS. R248, C211)

EXPORT SUPPLY