

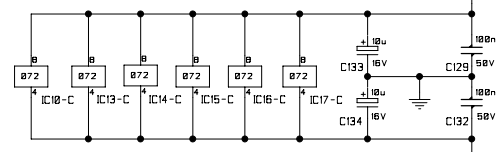
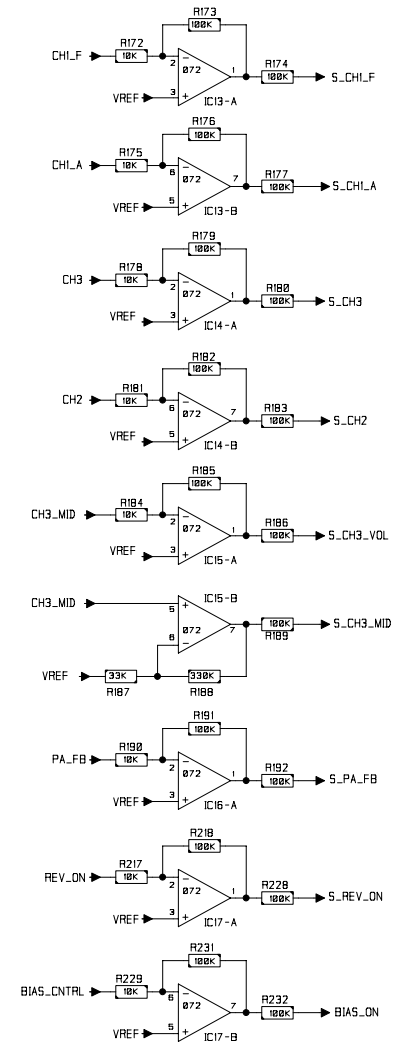
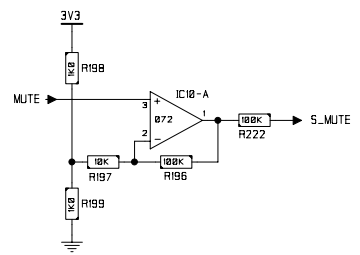
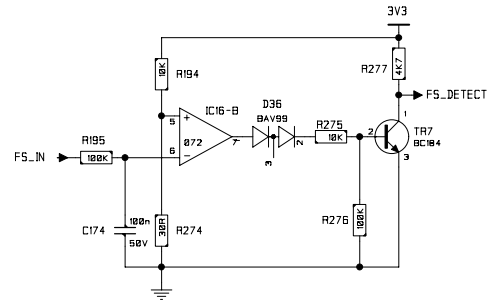
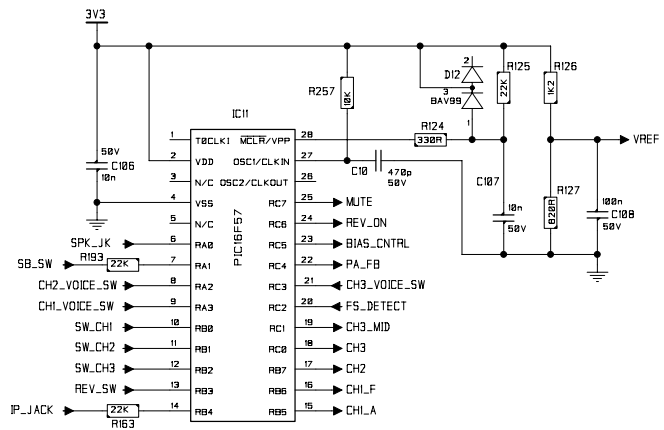
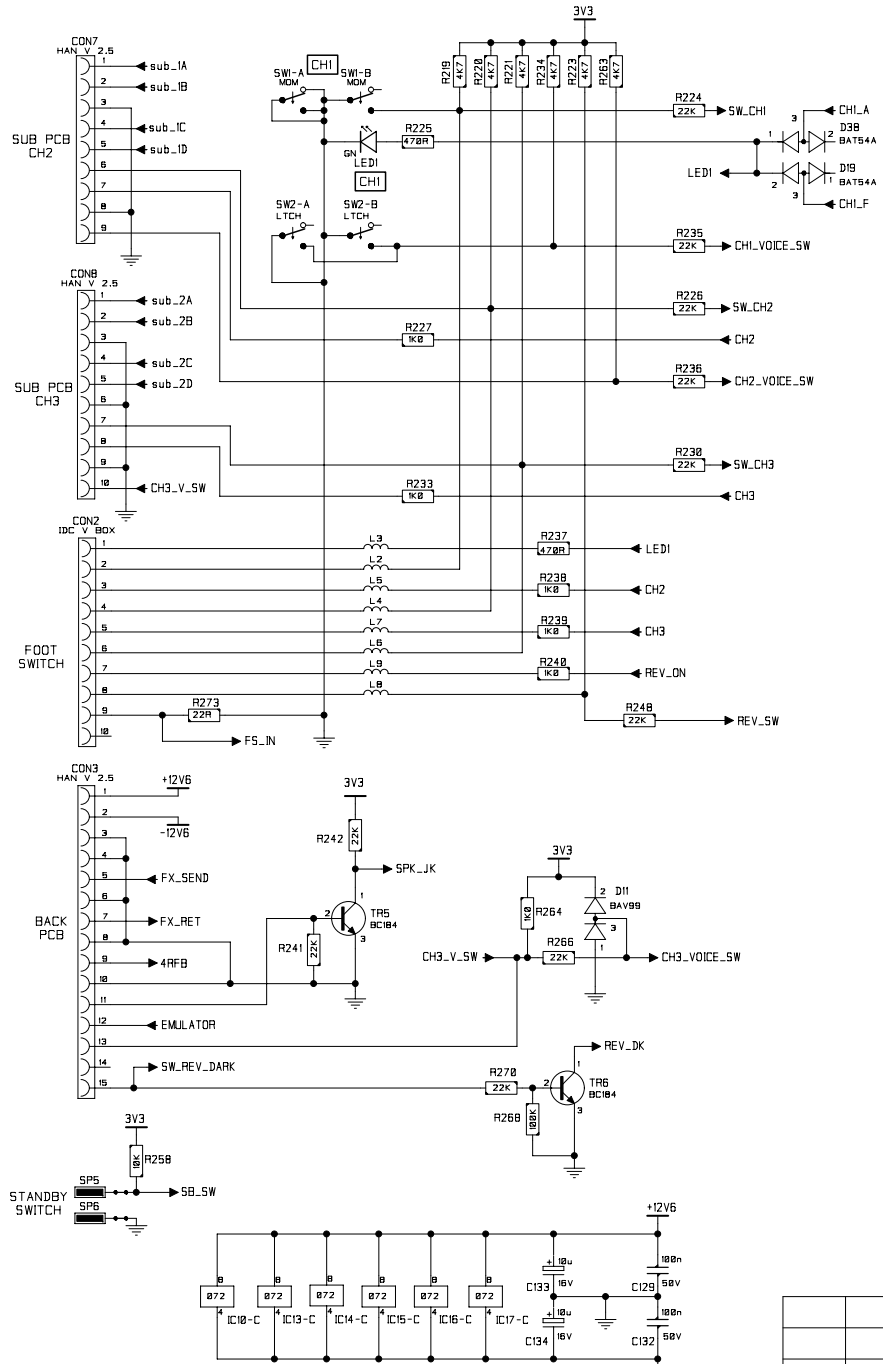
Blackstar
AMPLIFICATION
 COPYRIGHT EXISTS ON THIS DOCUMENT. IT MUST NOT BE USED FOR ANY PURPOSE OTHER THAN THAT FOR WHICH IT WAS SUPPLIED AND MUST NOT BE COPIED IN WHOLE OR PART WITHOUT WRITTEN PERMISSION OF BLACKSTAR AMPLIFICATION

DWG No.	ISS:	SHT. 1	TITLE
DRAWN BY	DATE	OF 4	FRONT PCB
CHECKED BY	DATE		INPUT STAGES
APPROVED BY	DATE		MODEL COLNE 100/60

ISS:	1B
DATE	05-01-10
DATE	
DATE	

XX	CN1234	01-01-01	0XA
ISSUE	ECO No.	DATE	INITIAL

HT STAGE 100/60

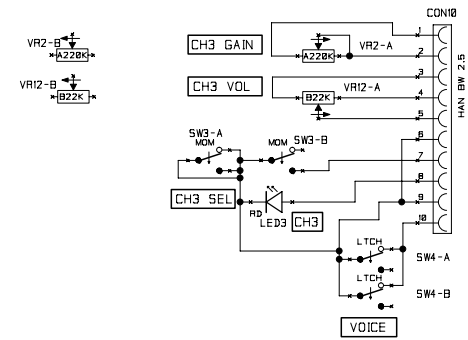
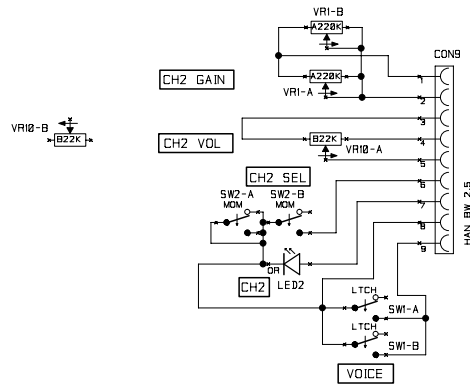


Blackstar AMPLIFICATION

COPYRIGHT EXISTS ON THIS DOCUMENT. IT MUST NOT BE USED FOR ANY PURPOSE OTHER THAN THAT FOR WHICH IT WAS SUPPLIED AND MUST NOT BE COPIED IN WHOLE OR PART WITHOUT WRITTEN PERMISSION OF BLACKSTAR AMPLIFICATION

ISSUE	ECO No.	DATE	INITIAL
XX	CN1234	01-01-01	0XA

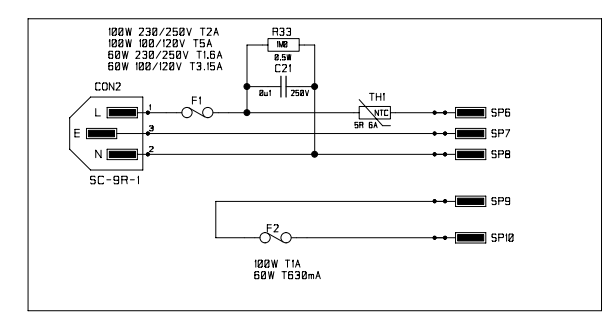
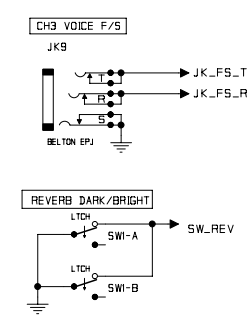
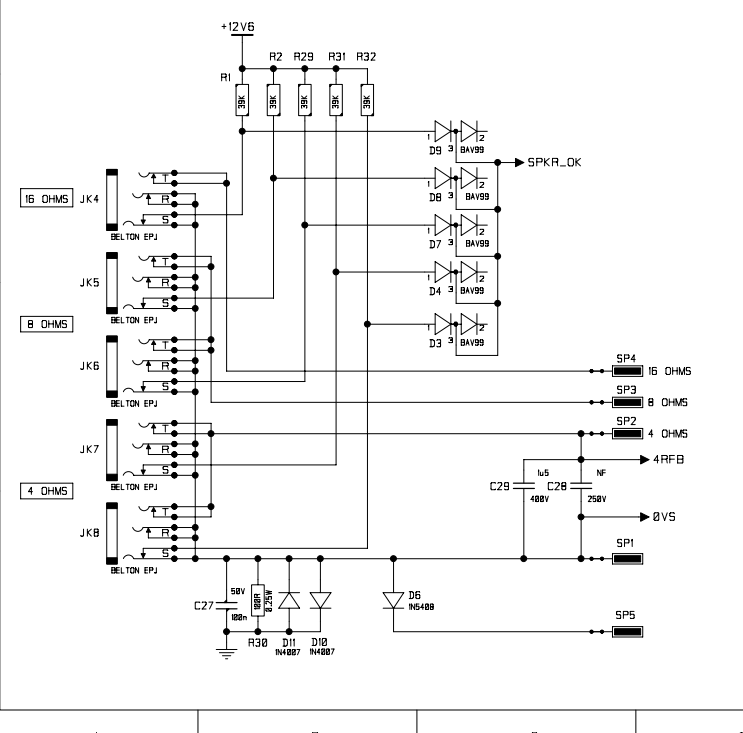
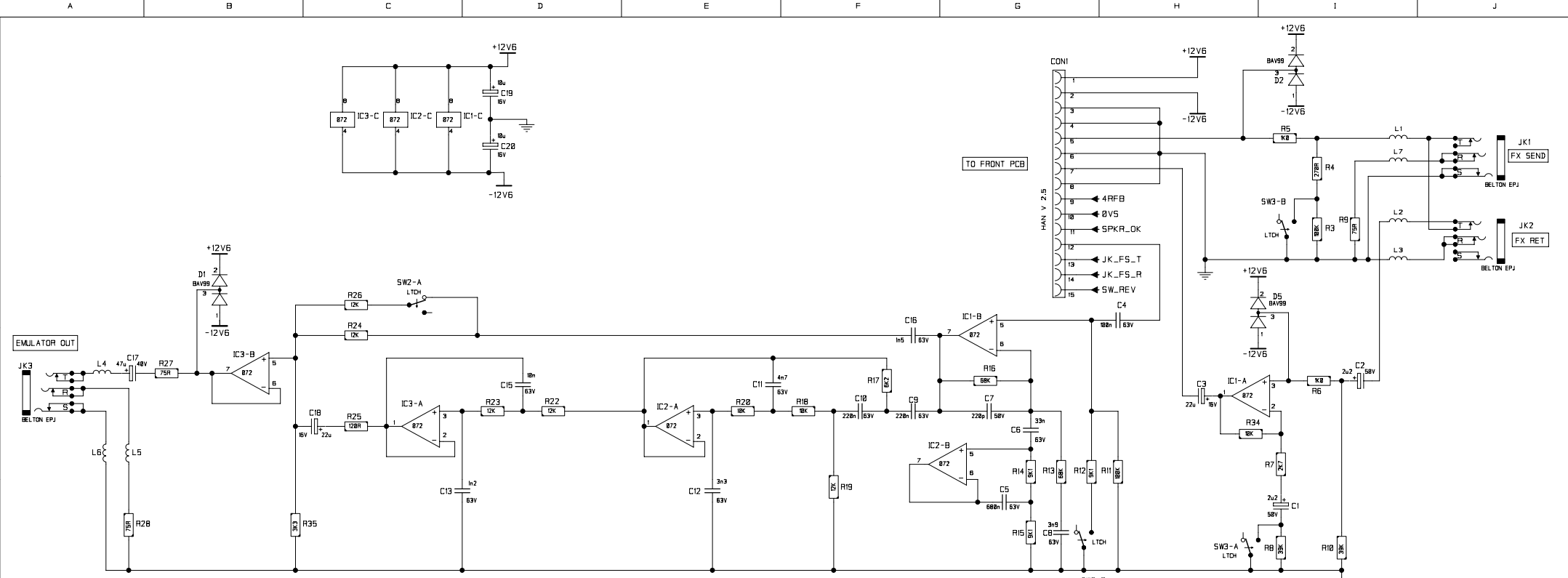
DWG No.	ISS	SHT. 3 OF 4	TITLE
	1B		FRONT PCB PIC AND FET DRIVE
DRAWN BY	DATE	DATE	MODEL
CLIFF BROWN	05-01-10		COLNE 100/60
CHECKED BY	DATE	DATE	
APPROVED BY	DATE	DATE	
			HT STAGE 100/60



XX	CN1234	01-01-01	0XA
ISSUE	ECO No.	DATE	INITIAL

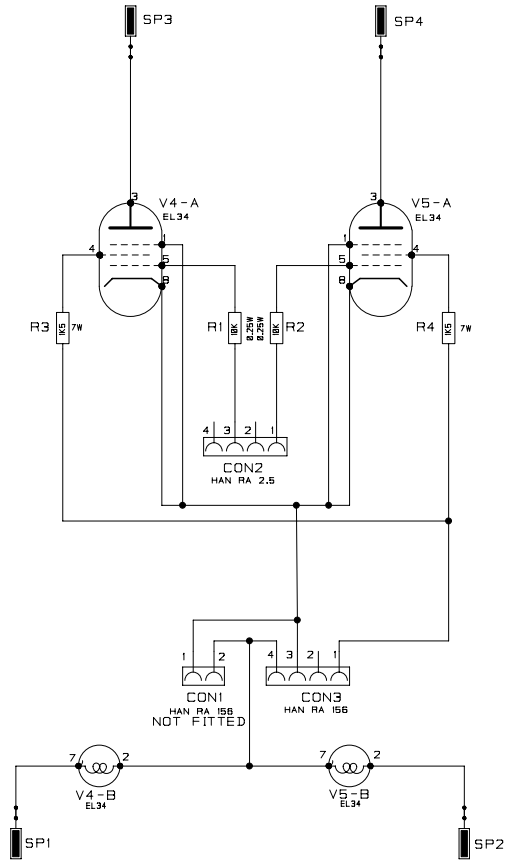
Blackstar
AMPLIFICATION
 COPYRIGHT EXISTS ON THIS DOCUMENT. IT MUST NOT BE USED FOR ANY PURPOSE OTHER THAN THAT FOR WHICH IT WAS SUPPLIED AND MUST NOT BE COPIED IN WHOLE OR PART WITHOUT WRITTEN PERMISSION OF BLACKSTAR AMPLIFICATION

DWG No.	ISS: C	SHT. 1 OF 1	TITLE SUB PCB
DRAWN BY CLIFF BROWN	DATE 13-10-09		
CHECKED BY	DATE		MODEL COLNE 100/60
APPROVED BY	DATE		HT STAGE 100/60



XX	CN1234	Ø1-Ø1-Ø1	ØXA
ISSUE	ECO No.	DATE	INITIAL

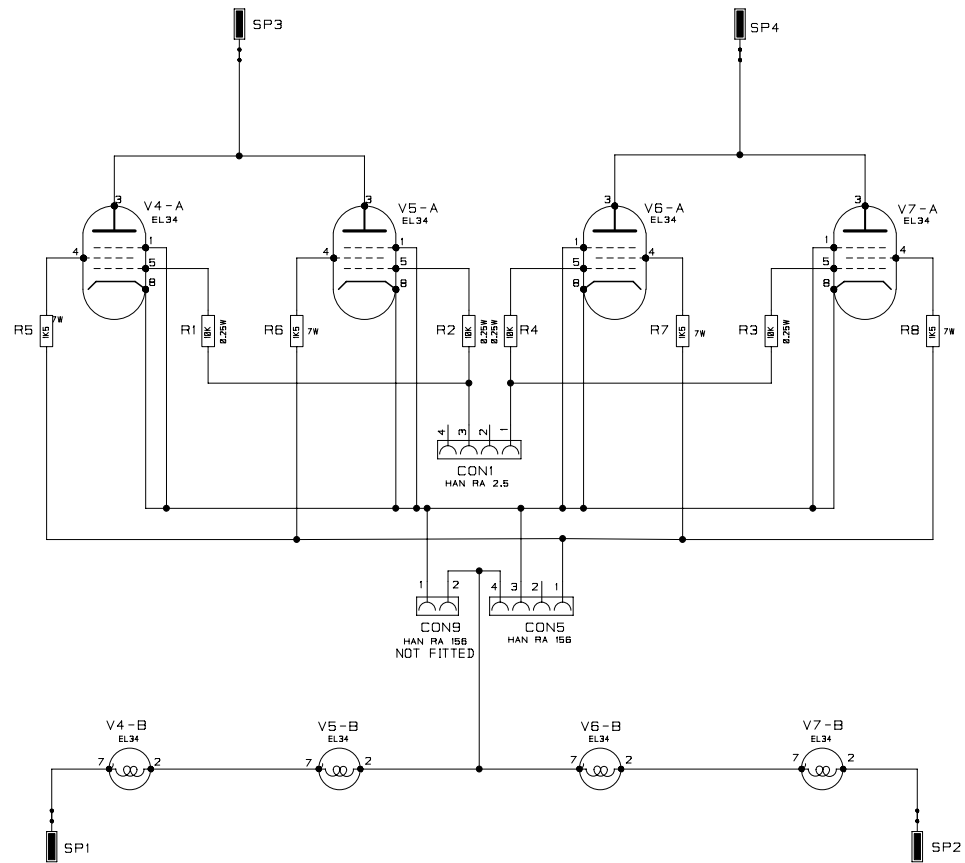
<p>Blackstar AMPLIFICATION</p> <p><small>COPYRIGHT EXISTS ON THIS DOCUMENT. IT MUST NOT BE USED FOR ANY PURPOSE OTHER THAN THAT FOR WHICH IT WAS SUPPLIED AND MUST NOT BE COPIED IN WHOLE OR PART WITHOUT WRITTEN PERMISSION OF BLACKSTAR AMPLIFICATION</small></p>		DWG No.	ISS: C	SHT. 1 OF 1	TITLE
		DRAWN BY	DATE		BACK PCB
CHECKED BY CLIFF B		DATE	15-10-09	MODEL	COLNE 100/60
APPROVED BY		DATE			HT STUDIO 100/60



XX	CN1234	01-01-01	0XA
ISSUE	ECO No.	DATE	INITIAL

**Blackstar
AMPLIFICATION**
COPYRIGHT EXISTS ON THIS DOCUMENT. IT MUST NOT BE USED FOR ANY PURPOSE OTHER THAN THAT FOR WHICH IT WAS SUPPLIED AND MUST NOT BE COPIED IN WHOLE OR PART WITHOUT WRITTEN PERMISSION OF BLACKSTAR AMPLIFICATION

DWG No.	ISS: C	SHT. 1 OF 1	TITLE
DRAWN BY CLIFF BROWN	DATE 13-10-09		60W POWER VALVE PCB
CHECKED BY	DATE		MODEL COLNE 60
APPROVED BY	DATE		HT STAGE 60



XX	CN1234	01-01-01	0XA
ISSUE	ECO No.	DATE	INITIAL

Blackstar
AMPLIFICATION
 COPYRIGHT EXISTS ON THIS DOCUMENT. IT MUST NOT BE USED FOR ANY PURPOSE OTHER THAN THAT FOR WHICH IT WAS SUPPLIED AND MUST NOT BE COPIED IN WHOLE OR PART WITHOUT WRITTEN PERMISSION OF BLACKSTAR AMPLIFICATION

DWG No.	ISS: C	SHT. 1 OF 1	TITLE
DRAWN BY CLIFF BROWN	DATE 14-09-09	100W POWER VALVE PCB	
CHECKED BY	DATE	MODEL COLNE 100	
APPROVED BY	DATE	HT STAGE 100	