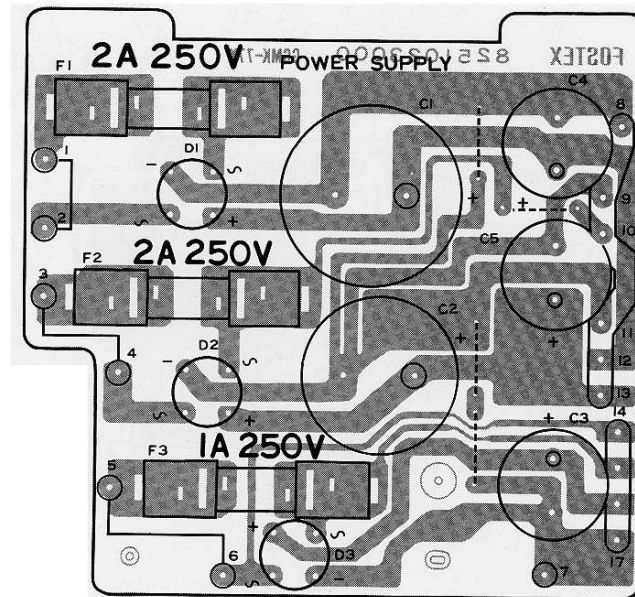


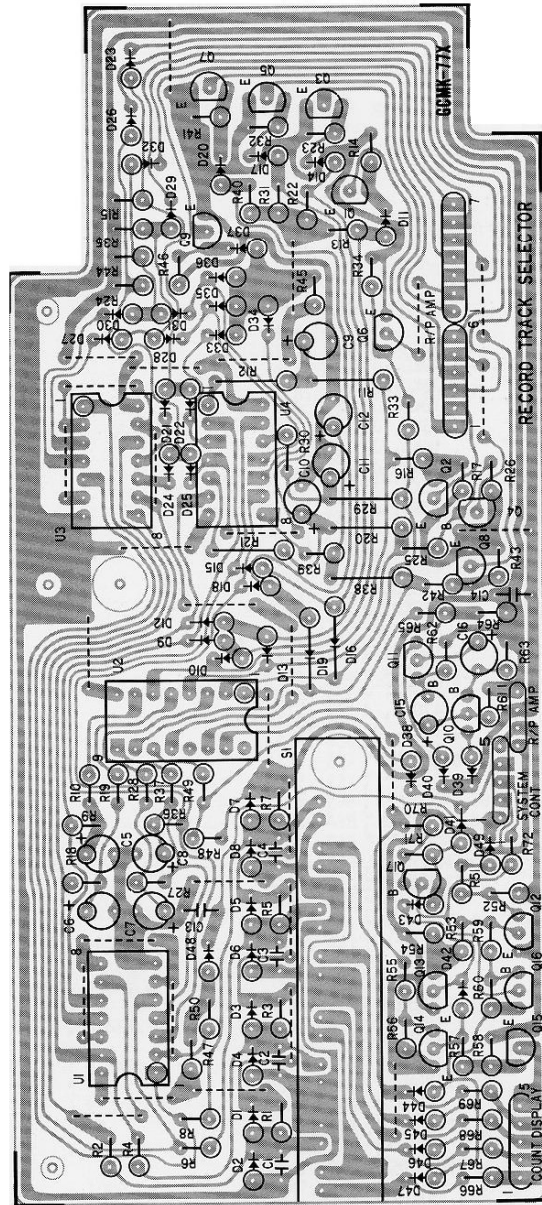
POWER SUPPLY BCB ASSEMBLY



PCB ASSEMBLY, POWER SUPPLY, Assy No. 8273 0070 01---- DM
 No. 8273 0070 02---- UL/CSA
 No. 8273 0070 03---- SEMKO

Ref. No.	Parts No.	Nomenclature
	8251 0230 00	PCB, power supply
		DIODES
△D001~D003	8234 0017 03	Diode stack, W02
		CAPACITORS
C001	8232 0472 28	Electrolytic, 2200uF, 35V, BKVB
C002	8232 0612 28	" " " 25V, SRVB
C003	8232 0022 28	" " " 10V, SMVB
C004	8232 0051 08	" 1000uF, 35V, SMVB
C005	8232 0041 08	" " 25V, SMVB
		MISCELLANEOUS
△ F001	8239 0005 04	Fuse, 2A, 250V, DM
△ "	8239 0003 20	" " " UL/CSA
△ "	8239 0004 20	" " " SEMKO
△ F002	8239 0005 04	" " " DM
△ "	8239 0003 20	" " " UL/CSA
△ "	8239 0004 20	" " " SEMKO
△ F003	8239 0005 02	" 1A, " DM
△ "	8239 0003 16	" " " UL/CSA
△ "	8239 0004 16	" " " SEMKO
	8239 0001 00	Holder, fuse, SN5051, DM, UL/CSA
	8239 0002 00	" " SN5053, SEMKO

RECORD TRACK SELECTOR PCB ASSEMBLY



RECORD TRACK SELECTOR PCB ASSEMBLY, Assy No. 8273 0050 00

Ref. No.	Parts No.	Nomenclature
	8251 0010 00	PCB, record track selector
		IC's
U001	8236 0001 01	Digital, MC 140018
U002	8236 0029 01	" , MC 14050B
U003	8236 0033 01	" , MC 14071B
U004	8236 0001 01	" , MC 14001B

TRANSISTORS

Q001~Q011	8234 0002 03	2SC1815GR
Q012	8234 0003 03	2SA1015GR
Q013, Q014	8234 0002 03	2SC1815GR
Q015	8234 0003 03	2SA1015GR
Q016, Q017	8234 0002 03	2SC1815GR

DIODES

D001~D049	8234 0018 00	MA-150
-----------	--------------	--------

CARBON RESISTORS

All resistors 1/4W and resistance ±5%

R001	8230 0041 03	Vertical mounting, 10KΩ, J
R002	8230 0043 33	" " , 33KΩ, J
R003	8230 0041 03	" " , 10KΩ, J
R004	8230 0043 33	" " , 33KΩ, J
R005	8230 0041 03	" " , 10KΩ, J
R006	8230 0043 33	" " , 33KΩ, J
R007	8230 0041 03	" " , 10KΩ, J
R008	8230 0043 33	" " , 33KΩ, J
R009, R012	8230 0041 23	" " , 12KΩ, J
R013	8230 0041 04	" " , 100KΩ, J
R014	8230 0044 74	" " , 470KΩ, J
R015, R016	8230 0041 04	" " , 100KΩ, J
R017	8230 0044 74	" " , 470KΩ, J
R018~R021	8230 0041 23	" " , 12KΩ, J
R022	8230 0041 04	" " , 100KΩ, J
R023	8230 0044 74	" " , 470KΩ, J
R024, R025	8230 0041 04	" " , 100KΩ, J
R026	8230 0044 74	" " , 470KΩ, J
R027~R030	8230 0041 23	" " , 12KΩ, J
R031	8230 0041 04	" " , 100KΩ, J
R032	8230 0044 74	" " , 470KΩ, J
R033	8230 0041 04	" " , 100KΩ, J
R034	8230 0044 74	" " , 470KΩ, J
R035	8230 0041 04	" " , 100KΩ, J
R036~R039	8230 0041 23	Vertical mounting, 12KΩ, J
R040	8230 0041 04	" " , 100KΩ, J
R041	8230 0044 74	" " , 470KΩ, J
R042	8230 0041 04	" " , 100KΩ, J
R043	8230 0044 74	" " , 470KΩ, J
R044, R045	8230 0041 04	" " , 100KΩ, J
R046	8230 0044 74	" " , 470KΩ, J
R047, R048	8230 0041 03	" " , 10KΩ, J
R049	8230 0043 33	" " , 33KΩ, J
R051, R052	8230 0044 72	" " , 4.7KΩ, J
R053	8230 0042 23	" " , 22KΩ, J
R054	8230 0041 03	" " , 10KΩ, J
R055	8230 0042 23	" " , 22KΩ, J
R056	8230 0041 03	" " , 10KΩ, J
R057, R058	8230 0044 72	" " , 4.7KΩ, J
R059	8230 0042 23	" " , 22KΩ, J
R060	8230 0041 03	" " , 10KΩ, J
R061	8230 0042 23	" " , 22KΩ, J
R062, R063	8230 0047 24	" " , 720KΩ, J
R064	8230 0042 23	" " , 22KΩ, J
R065	8230 0041 03	" " , 10KΩ, J
R066~R069	8230 0044 71	" " , 470Ω, J
R070	8230 0042 23	" " , 22KΩ, J
R071	8230 0041 03	" " , 10KΩ, J
R072	8230 0044 71	" " , 470Ω, J

Ref. No.	Parts No.	Nomenclature
		CAPACITORS
C001~C004	8232 0351 03	Ceramic, HE70SJYF103Z
C005~C012	8232 0641 06	Electrolytic, 10uF, 16V, SMVB
C013, C014	8232 0351 03	Ceramic, HE70SJYF103Z
C015, C016	8232 0061 05	Electrolytic, 1uF, 50V, SMVB
		MISCELLANEOUS
S001	8253 0010 00	Switch, push, 4 gang, SUT42B

MIXER PCB ASSEMBLY

MIXER PCB ASSEMBLY, Assy No. 8273 0040 00

Ref. No.	Parts No.	Nomenclature	Ref. No.	Parts No.	Nomenclature
	8251 0001 00	PCB, mixer	R117, 217	8230 0045 13	" " , 51K Ω , J
	IC's		317, 417	" " " " " "	
U101, 201	8236 0210 00	Analogue, NJM4559DD ✓	R118, 218	8230 0044 73	" " , 47K Ω , "
301, 401	"	"	318, 418	" " " " " "	
U102, 202	"	"	R119, 219	" " " " " "	
302, 402	"	"	319, 419	" " " " " "	
U501	"	"	R120, 220	8230 0041 04	" " , 100K Ω , J
U502	"	"	320, 420	" " " " " "	
U503	2836 0217 00	" , NJM386D ✓	R121, 221	8230 0041 24	" " , 120K Ω , "
U504	"	"	321, 421	" " " " " "	
	TRANSISTORS		R122, 222	8230 0041 03	" " , 10K Ω , J
Q101, 201	8234 0001 11	FET, 2SK117GR ✓	322, 422	" " " " " "	
301, 401	"	"	R123, 223	" " " " " "	
Q102, 202	8234 0003 03	2SA1015GR	323, 423	" " " " " "	
302, 402	"	"	R124, 224	8230 0048 21	" " , 820 Ω , "
Q103, 203	8234 0002 03	2SC1815GR	324, 424	" " " " " "	
303, 403	"	"	R125, 225	8230 0042 02	" " , 2K Ω , J
Q104, 204	"	"	325, 425	" " " " " "	
304, 404	"	"	R126, 226	8230 0041 52	" " , 1.5K Ω , J
Q105, 205	8234 0003 03	2SA1015GR	326, 426	" " " " " "	
305, 405	"	"	R127, 227	8230 0044 73	" " , 47K Ω , J
Q106, 206	8234 0002 03	2SC1815GR	327, 427	" " " " " "	
306, 406	"	"	R128, 228	8230 0043 03	" " , 30K Ω , "
Q107, 207	8230 0030 3	2SA1015GR	328, 428	" " " " " "	
307, 407	"	"	R129, 229	Deleted	
Q701	"	"	329, 429	" " " " " "	
Q702~704	8234 0006 01	2SC1636-2 ✓	R130, 230	8230 0042 23	Vertical mounting, 22K Ω , J
	DIODES		330, 430	" " " " " "	
D101, 201	8234 0018 00	MA-150	R131, 231	" " " " " "	
301, 401	"	"	331, 431	" " " " " "	
D102, 202	8234 0014 01	LED, LN222RP	R132, 232	8230 0041 01	" " , 100 Ω , "
302, 402	"	"	332, 432	" " " " " "	
D701	8234 0018 00	MA-150	R133, 233	8230 0042 23	" " , 22K Ω , "
D702	8234 0007 00	1N4002	333, 433	" " " " " "	
U703~705	8234 0018 00	MA-150	R134, 234	" " " " " "	
	CARBON RESISTORS		334, 434	" " " " " "	
	All resistors $\frac{1}{4}$ W and resistance $\pm 5\%$		R135, 235	8230 0044 73	" " , 47K Ω , "
R101, 201	8230 0041 01	Vertical mounting, 100 Ω , J	335, 435	" " " " " "	
301, 401	"	"	R136, 236	" " " " " "	
R102, 202	8230 0042 24	" " , 220K Ω , J	336, 436	" " " " " "	
302, 402	"	"	R137, 237	8230 0042 23	" " , 22K Ω , "
R103, 203	8230 0041 64	" " , 160K Ω , J	337, 437	" " " " " "	
303, 403	"	"	R138, 238	8230 0045 13	" " , 51K Ω , "
R104, 204	8230 0043 93	Vertical mounting, 39K Ω , J	338, 438	8230 0041 03	" " , 10K Ω , "
304, 404	"	"	R139, 239	8230 0041 24	" " , 120K Ω , "
R105, 205	8230 0043 62	" " , 3.6K Ω , J	339, 439	8230 0041 03	" " , 10K Ω , "
305, 405	"	"	R140, 240	8230 0041 04	" " , 100K Ω , "
R106, 206	8230 0045 12	" " , 5.1K Ω , J	340, 440	Deleted	
306, 406	"	"	R141, 241	8230 0042 23	Vertical mounting, 22K Ω , J
R107, 207	8230 0042 22	" " , 2.2K Ω , "	341, 441	" " " " " "	
307, 407	"	"	R142, 242	" " " " " "	
R108, 208	8230 0042 20	" " , 22 Ω , J	342, 442	" " " " " "	
308, 408	"	"	R143, 243	8230 0041 04	" " , 100K Ω , J
R109, 209	8230 0041 03	" " , 10K Ω , J	343, 443	" " " " " "	
309, 409	"	"	R144, 244	" " " " " "	
R110, 210	8230 0041 04	" " , 100K Ω , J	344, 444	" " " " " "	
310, 410	"	"	R145, 245	8230 0045 62	" " , 5.6K Ω , "
R111, 211	8230 0044 74	" " , 470K Ω , J	345, 445	" " " " " "	
311, 411	"	"	R146, 246	8230 0042 23	" " , 22K Ω , J
R112, 212	8230 0041 01	" " , 100 Ω , J	346, 446	" " " " " "	
312, 412	"	"	R147, 247	8230 0042 22	" " , 2.2K Ω , J
R113, 213	8230 0041 82	" " , 1.8K Ω , J	347, 447	" " " " " "	
313, 413	"	"	R148, 248	8230 0041 01	" " , 100 Ω , J
R114, 214	8230 0042 70	" " , 27K Ω , J	348, 448	" " " " " "	
314, 414	"	"	R149, 249	8230 0041 22	" " , 2.2K Ω , J
R115, 215	8230 0041 01	" " , 100 Ω , J	349, 449	" " " " " "	
315, 415	"	"	R150, 250	8230 0046 82	" " , 6.8K Ω , "
R116, 216	8230 0042 24	" " , 220K Ω , J	350, 450	" " " " " "	
316, 416	"	"	R151, 251	8230 0042 43	" " , 24K Ω , J
			351, 451	" " " " " "	
			R152, 252	8230 0041 03	" " , 10K Ω , "
			352, 452	" " " " " "	
			R153, 253	" " " " " "	
			353, 453	" " " " " "	
			R154, 254	8230 0041 05	" " , 1K Ω , J
			354, 454	" " " " " "	

Ref. No.	Parts No.	Nomenclature
R155, 255 355, 455	8230 0043 31	Vertical mounting, 330Ω, J
R156, 256 356, 456	8230 0041 03	" " , 10KΩ, "
R157, 257 357, 457	8230 0041 04	" " , 100KΩ, J
R158, 258	8230 0044 71	" " , 470Ω, J
R159, 259 359, 459	8230 0046 82	" " , 6.8KΩ, J
R501, 601	8230 0042 23	" " , 22KΩ, J
R502, 602	"	"
R503, 603		Deleted
R504, 604		"
R505, 605	8030 0041 04	Vertical mounting, 100KΩ, J
R506, 606	8030 0041 03	" " , 10KΩ, J
R507, 607	8230 0042 03	" " , 20KΩ, "
R508, 608	8230 0041 04	" " , 100KΩ, J
R509, 609	8230 0044 71	" " , 470Ω, J
R510, 610	8230 0041 04	" " , 100KΩ, J
R511, 611	8230 0041 02	" " , 1KΩ, J
R512, 612	8230 0071 09	Horizontal " , 1/4W, 1Ω, J
R513, 613	8230 0041 03	Vertical mounting, 1/4W, 10KΩ, J
R514, 614		"
R515	8230 0045 12	" " , 5.1KΩ, J
R701	8230 0044 74	" " , 470KΩ, "
R702	8230 0044 73	" " , 47KΩ, J
R703-705	8230 0041 03	" " , 10KΩ, "
CAPACITORS		
C101, 201 301, 401	8232 0022 26	Electrolytic, 22uF, 10V, SMVB
C102, 202 302, 402	8232 0021 07	" " , 100uF, 10V, SMVB
C103, 203 303, 403	8232 0033 36	" " , 33uF, 16V, SMVB
C104, 204 304, 404	8232 0031 06	" " , 10uF, 16V, SMVB
C105, 205 305, 405	"	" " " " "
C106, 206 306, 406	8232 0031 07	" " , 100uF, " "
C107, 207 307, 407	"	" " " " "
C108, 208 308, 408	8232 0511 00	Ceramic, 10pF, 50V, SL, K
C109, 209 309, 409	8232 0024 76	Electrolytic, 47uF, 10V, SMVB
C110, 210 310, 410	8232 0064 74	Electrolytic, 0.47uF, 50V, SMVB
C111, 211 311, 411	"	" " " " "
C112, 212 312, 412	8232 9261 02	Mylar, 0.001uF, 50V, J
C113, 213 313, 413	"	" " " " "
C114, 214 314, 414	8232 0032 26	Electrolytic, 22uF, 16V, SMVB
C115, 215 315, 415	"	" " " " "
C116, 216 316, 416	8232 0031 06	" " , 10uF, 16V, SMVB
C117, 217 317, 417	"	" " " " "
C118, 218 318, 418	"	" " " " "
C119, 219 319, 419	8232 0031 06	Deleted Electrolytic, 10uF, 16V, SMVB
C120, 220 320, 420	8232 0061 05	" " , 1uF, 50V, SMVB
C121, 221 321, 421	8232 0022 27	" " , 220uF, 10V, SMVB
C122, 222 322, 422	8232 0062 25	" " , 2.2uF, 50V, SMVB
C123, 223 323, 423	8232 0054 75	" " , 4.7uF, 35V, "
C124, 224 324, 424	7232 0062 25	" " , 2.2uF, 50V, SMVB
C125, 225 325, 425	8232 0061 05	" " , 1uF, 50V, SMVB

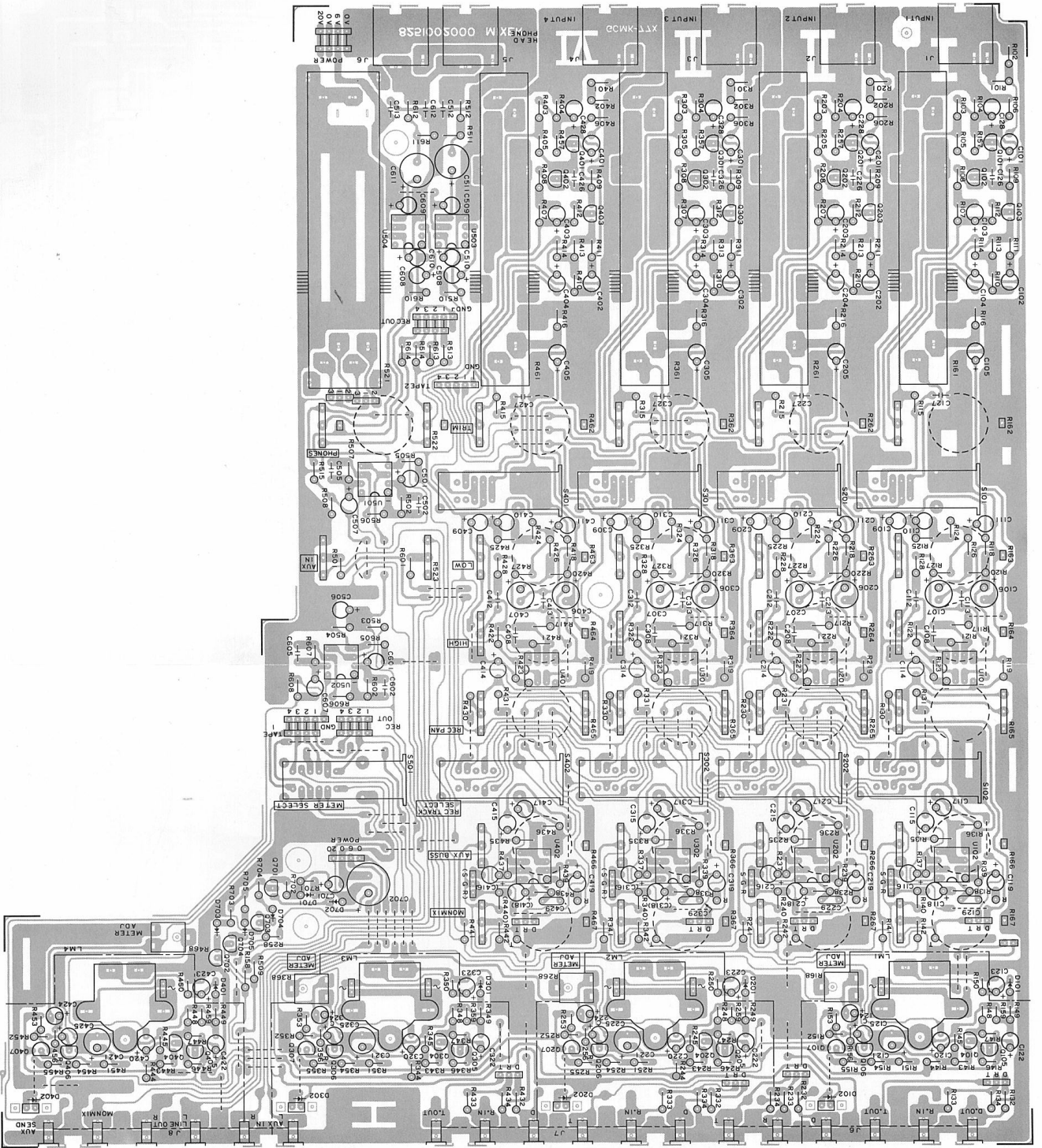
Ref. No.	Parts No.	Nomenclature
C126, 226 326, 426	8232 0515 60	Ceramic, 56pF, 50V, SL, K
C127, 227 327, 427	8232 0341 02	" " , 1000pF, 50V, YB, K
C128, 228 328, 428	8232 0024 76	Electrolytic, 47uF, 10V, SMVB
C129, 229 329, 429	8232 0511 00	Ceramic, 10pF, 50V, SL
C501, 601	8232 0032 26	Electrolytic, 22uF, 16V, SMVB
C502, 602	8232 0514 70	Ceramic, 47pF, 50V, SL, K
C503, 603	8232 0031 06	Electrolytic, 10uF, 16V, SMVB
C504, 604		Deleted
C505, 605	8232 0511 00	Ceramic, 10pF, 50V, K
C506	8232 0031 06	Electrolytic, 10uF, 16V, SMVB
C507, 607	8232 0032 26	" " , 22uF, 16V, "
C508, 608	8232 0031 06	" " , 10uF, 16V, "
C509, 609	8232 0024 76	" " , 47uF, 10V, "
C510, 610	8232 0031 06	" " , 10uF, 16V, "
C511, 611	8232 0014 77	Electrolytic, 470uF, 6.3V, SMVB
C512, 612	8232 0261 04	Mylar, 0.1uF, 50V, J
C513	8232 0351 03	Ceramic, 0.01uF, 50V, J
C701	8232 0721 06	Electrolytic, 10uF, 25V, EUVB
C702	8232 0044 77	" " , 470uF, 25V, SMVB

VARIABLE RESISTORS

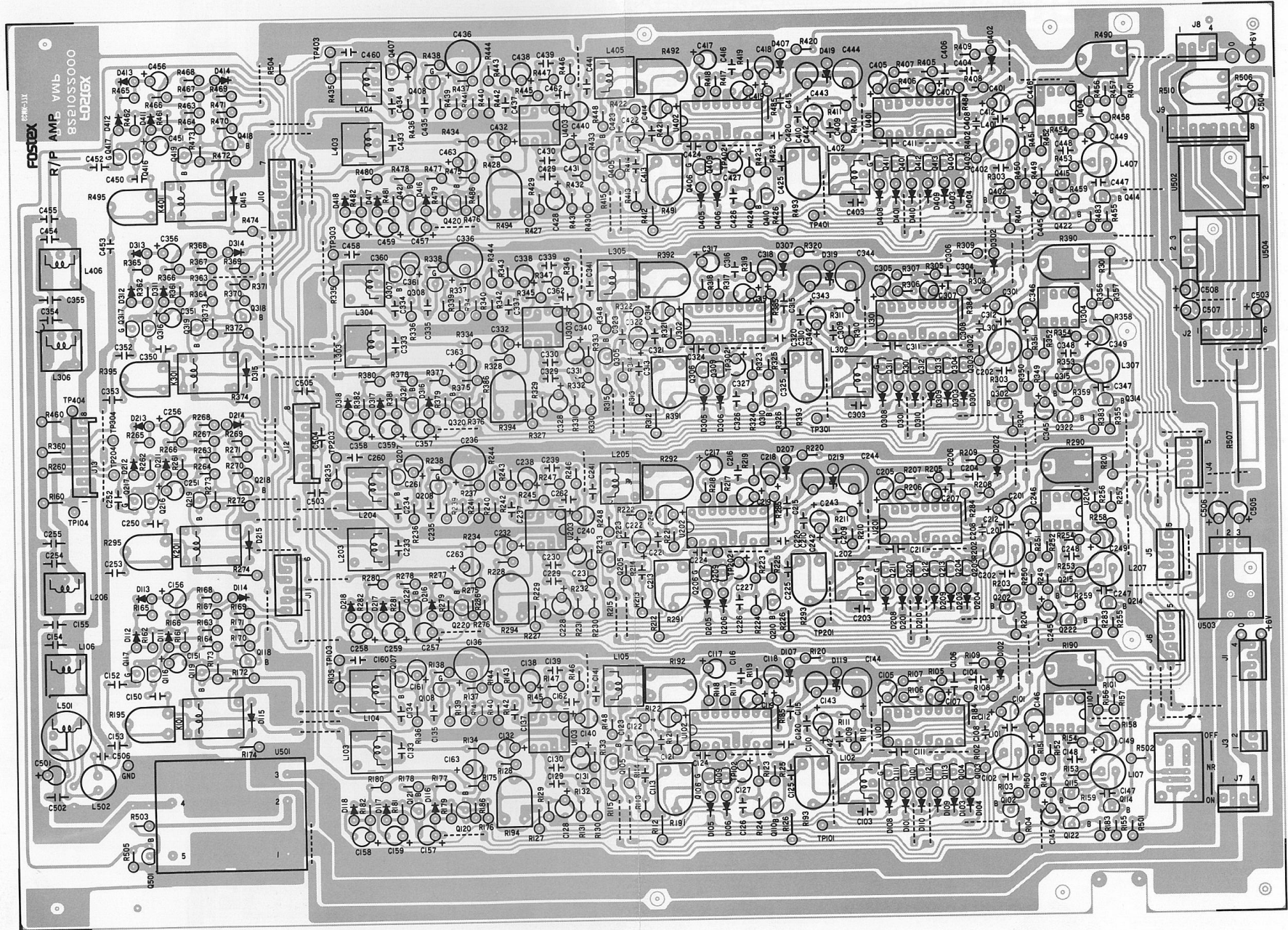
R161, 261 361, 461	8240 0001 00	Slide, mono, 10KΩ, A, 60mm
R162, 262 362, 462	8240 0002 00	16φ, single, 10KΩ, C
R163, 263 363, 463	8240 0003 00	" " " " "
R164, 264 364, 464	"	" " " " "
R165, 265 365, 465	8240 0019 00	" , 1 shaft, 2 ganged, 10KΩ,
R166, 266 366, 466	8240 0022 00	" , single, 10KΩ, A
R167, 267 367, 467	"	" " " " "
R168, 268 368, 468	8231 0021 04	Trimmer, carbon, 100KΩ, B, horiz.
R521	8240 0005 00	Slide, stereo, 10KΩ, AA, 60mm
R522	8240 0023 00	16φ, 1 shaft, 2 ganged, 20KΩ
R523	8240 0024 00	" " " " , AA

MISCELLANEOUS

M101, 102 103, 104	8248 0020 00	Meter, VU
S101, 201 301, 401	8253 0020 00	Switch, lever, SLR923
S102, 202 302, 402	"	" " " " "
S501	8253 0030 00	" " , SLR942
J001-004	8245 0036 00	Connector, jack, phone, mono
J005	8245 0040 00	" " " " , stereo
J006	"	" " " " "
J007	8245 0050 00	" " " , RCA pin
J008	"	" " " " "
J009	8245 0060 00	" " " " "
	8212 0040 00	Holder, LED, amount - 4



R/P AMPLIFIER PCB ASSEMBLY



R/P AMPLIFIER PCB ASSEMBLY, Assy No. 8273 0030 00

Ref. No.	Parts No.	Nomenclature
	8251 0010 00	PCB, R/P amplifier
		IC's
U101, 201	8236 0254 00	Analogue, Dolby, LM1111B
301, 401	"	"
U102, 202	"	"
302, 402	"	"
U103, 203	8236 0210 00	" , NJM4559DD
303, 403	"	"
U104, 204	"	"
304, 404	"	"
U501	8256 0010 00	Oscillator unit
U502	8236 0229 00	Analogue, regulator, 78M05A
U503	8236 0236 00	" , 78M20A
U504	8236 0231 00	" " , 78M08A
		TRANSISTORS
Q101, 201	8234 0001 11	FET, 2SK117GR
301, 401	"	"
Q102, 202	8234 0002 03	2SC1815GR
302, 402	"	"
Q103, 203	8234 0001 11	FET, 2SK117GR
303, 403	"	"
Q104, 204	"	"
304, 404	"	"
Q105, 205	8234 0002 03	2SC1815GR
303, 405	"	"
Q106, 206	8234 0001 11	FET, 2SK117GR
306, 406	"	"
Q107, 207	8234 0002 03	2SC1815GR
307, 407	"	"
Q108, 208	8234 0001 09	FET, 2SK117Y-3
308, 408	"	"
Q109, 209	8234 0001 11	2SK117GR
309, 409	"	"
Q110, 210	8234 0002 03	2SC1815GR
310, 410	"	"
Q111, 211	8234 0001 11	FET, 2SK117GR
311, 411	"	"
Q112, 212	"	"
312, 412	"	"
Q113, 213	"	"
313, 413	"	"
Q114, 214	8234 0002 03	2SC1815GR
314, 414	"	"
Q115, 215	8234 0006 01	2SC2878-A
315, 415	"	"
Q116, 216	8234 0001 11	FET, 2SK117GR
316, 416	"	"
Q117, 217	"	"
317, 417	"	"
Q118, 218	8234 0002 03	2SC1815GR
318, 418	"	"
Q119, 219	"	"
319, 419	"	"
Q120, 220	"	"
320, 420	"	"
Q121, 221	"	"
321, 421	"	"
Q122, 222	8234 0003 03	2SA1015GR
322, 422	"	"
Q501	8234 0002 03	2SC1815GR
		DIODES
D101, 201	8234 0018 00	MA-150
301, 401	"	"
D102, 202	"	"
302, 402	"	"
D103, 203	"	"
303, 403	"	"
D104, 204	"	"
304, 404	"	"
D105, 205	"	"
305, 405	"	"
D106, 206	"	"
306, 406	"	"

Ref. No.	Parts No.	Nomenclature
D107, 207	"	"
307, 407	"	"
D108, 208	"	"
308, 408	"	"
D109, 209	"	"
309, 409	"	"
D110, 210	"	"
310, 410	"	"
D111, 211	"	"
311, 411	"	"
D112, 212	"	"
312, 412	"	"
D113, 213	"	"
313, 413	"	"
D114, 214	"	"
314, 414	"	"
D115, 215	8234 0007 00	1N4002
315, 415	"	"
D116, 216	8234 0018 00	MA-150
316, 416	"	"
D117, 217	8234 0018 00	MA-150
317, 417	"	"
D118, 218	"	"
318, 418	"	"
D119, 219	8234 0019 16	Zener, WZ-063
319, 419	"	"
		CARBON RESISTORS
		All resistors 1/4W and resistance ±5%
R101, 201	8230 0041 03	Vertical mounting, 10KΩ, J
301, 401	"	" " " " J
R102, 202	8230 0047 52	" " " " 7.5KΩ, J
302, 402	"	" " " " J
R103, 203	8230 0041 12	" " " " 1.1KΩ, J
303, 403	"	" " " " J
R104, 204	8230 0044 73	" " " " 47KΩ, J
304, 404	"	" " " " J
R105, 205	8230 0041 53	" " " " 15KΩ, J
305, 405	"	" " " " J
R106, 206	8230 0041 54	" " " " 150KΩ, J
306, 406	"	" " " " J
R107, 207	8230 0042 74	" " " " 270KΩ, J
307, 407	"	" " " " J
R108, 208	8230 0043 34	" " " " 330KΩ, J
308, 408	"	" " " " J
R109, 209	8230 0042 24	" " " " 220KΩ, J
309, 409	"	" " " " J
R110, 210	8230 0231 33	" " " " 13KΩ, F
310, 410	"	" " " " F
R111, 211	8230 0044 74	" " " " 47KΩ, J
311, 411	"	" " " " J
R112, 212	8230 0043 92	" " " " 3.9KΩ, J
312, 412	"	" " " " J
R113, 213	8230 0043 02	" " " " 3KΩ, J
313, 413	"	" " " " J
R114, 214	8230 0041 23	" " " " 12KΩ, J
314, 414	"	" " " " J
R115, 215	8230 0044 73	" " " " 47KΩ, J
315, 415	"	" " " " J
R116, 216		DELETED
316, 416	"	"
R117, 217	8230 0041 54	Vertical mounting, 150KΩ, J
317, 417	"	" " " " J
R118, 218	8230 0042 74	" " " " 270KΩ, J
318, 418	"	" " " " J
R119, 219	8230 0043 34	" " " " 330KΩ, J
319, 419	"	" " " " J
R120, 220	8230 0042 24	" " " " 220KΩ, J
320, 420	"	" " " " J
R121, 221	8230 0031 33	" " " " 13KΩ, F
321, 421	"	" " " " F
R122, 222	8230 0044 73	Vertical mounting, 47KΩ, J
322, 422	"	" " " " J
R123, 223	8230 0042 22	" " " " 2.2KΩ, J
323, 423	"	" " " " J
R124, 224	8230 0045 62	" " " " 5.6KΩ, J
324, 424	"	" " " " J
R125, 225	8230 0042 22	" " " " 2.2KΩ, J
325, 425	"	" " " " J

Ref. No.	Parts No.	Nomenclature
R126, 226	8230 0041 03	Vertical mounting, 10K Ω , J
326, 426	"	"
R127, 227	8230 0042 23	"
327, 427	"	"
R128, 228	8230 0044 73	"
328, 428	"	"
R129, 229	"	"
329, 429	"	"
R130, 230	8230 0043 32	"
330, 430	"	"
R131, 231	8230 0044 71	"
331, 431	"	"
R132, 232	8230 0041 53	"
332, 432	"	"
R133, 233	8230 0043 33	"
333, 433	"	"
R134, 234	8230 0045 62	"
334, 434	"	"
R135, 235	8230 0041 01	"
335, 435	"	"
R136, 236	8230 0041 03	"
336, 436	"	"
R137, 237	8230 0041 33	"
337, 437	"	"
R138, 238	8230 0042 21	"
338, 438	"	"
R139, 239	8230 0045 62	"
339, 439	"	"
R140, 240	8230 0049 12	"
340, 440	"	"
R141, 241	8230 0043 31	"
341, 441	"	"
R142, 242	8230 0044 73	"
342, 442	"	"
R143, 243	8230 0042 23	"
343, 443	"	"
R144, 244	8230 0045 63	"
344, 444	"	"
R145, 245	8230 0041 02	"
345, 445	"	"
R146, 246	8230 0049 12	"
346, 446	"	"
R147, 247	8230 0044 74	"
347, 447	"	"
R148, 248	8230 0041 03	"
348, 448	"	"
R149, 249	8230 0043 92	"
349, 449	"	"
R150, 250	8230 0044 73	"
350, 450	"	"
R151, 251	"	"
351, 451	"	"
R152, 252	8230 0044 72	"
352, 452	"	"
R153, 253	8230 0041 02	"
353, 453	"	"
R154, 254	8230 0043 32	"
354, 454	"	"
R155, 255	8230 0044 73	"
355, 455	"	"
R156, 256	"	"
356, 456	"	"
R157, 257	8230 0041 01	"
357, 457	"	"
R158, 258	8230 0041 02	"
358, 458	"	"
R159, 259	8230 0041 03	"
359, 459	"	"
R160, 260	8230 0041 00	"
360, 460	"	"
R161, 261	8230 0041 05	"
361, 461	"	"
R162, 262	"	"
362, 462	"	"
R163, 263	8230 0042 23	"
363, 463	"	"
R164, 264	8230 0044 72	"
364, 464	"	"
R165, 265	8230 0041 03	"
365, 465	"	"

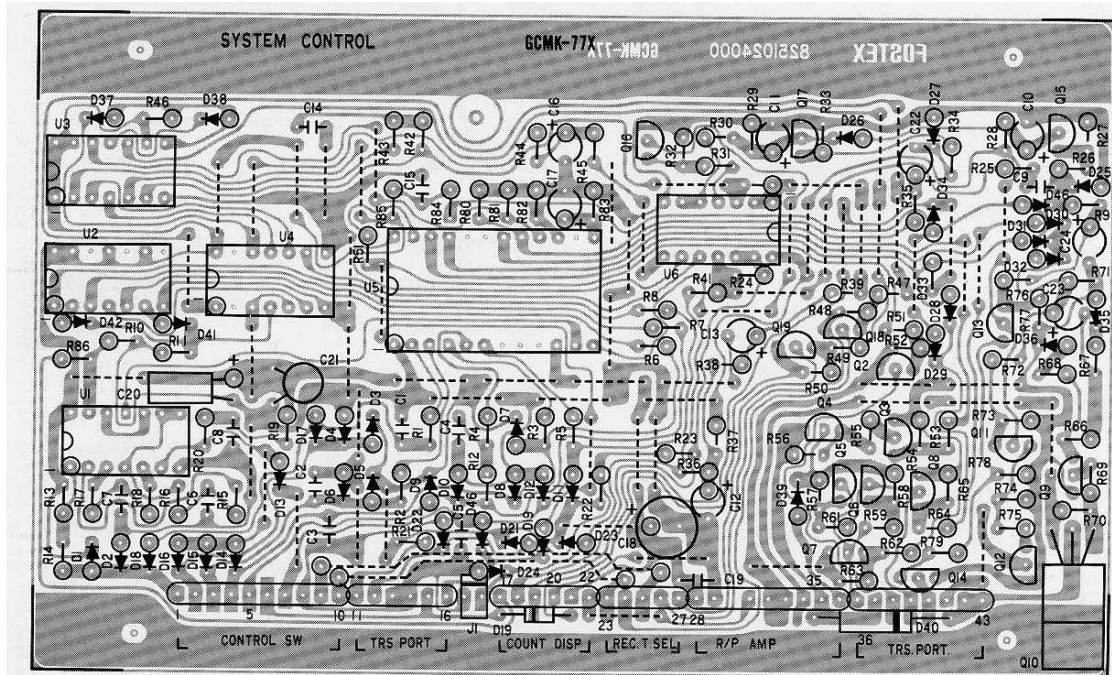
Ref. No.	Parts No.	Nomenclature
R166, 266	8230 0042 73	"
366, 466	"	"
R167, 267	8230 0042 23	"
367, 467	"	"
R168, 268	8230 0041 03	"
368, 468	"	"
R169, 269	"	"
369, 469	"	"
R170, 270	"	"
370, 470	"	"
R171, 271	"	"
371, 471	"	"
R172, 272	"	"
372, 472	"	"
R173, 273	8230 0041 03	Vertical mounting, 10K Ω , J
373, 473	"	"
R174, 274	8230 0041 51	"
374, 474	"	"
R175, 275	8230 0041 03	"
375, 475	"	"
R176, 276	"	"
376, 476	"	"
R177, 277	8230 0042 73	"
377, 477	"	"
R178, 278	8230 0041 04	"
378, 478	"	"
R179, 279	8230 0044 73	"
379, 479	"	"
R180, 280	8230 0042 73	"
380, 480	"	"
R181, 281	8230 0044 73	"
381, 481	"	"
R182, 282	8230 0041 03	"
382, 482	"	"
R183, 283	"	"
383, 483	"	"
R184, 284	8230 0041 04	"
384, 484	"	"
R185, 285	"	"
385, 485	"	"
R186, 286	8230 0045 63	"
386, 486	"	"
R501	8230 0041 23	"
R502	8230 0043 92	"
R503	8230 0044 70	"
R504	8230 0041 03	"
R505	"	"
R506	8230 0041 02	"
R507	8230 0293 90	Flat mounting, 3W, 39 Ω , J

CAPACITORS

C101, 201	8232 0061 05	Electrolytic, 1 μ F, 50V, SMVB
301, 401	"	"
C102, 202	8232 0261 82	Mylar, 1800pF, 50V, J
302, 402	"	"
C103, 203	8232 0261 22	" , 1200pF, " "
303, 403	"	"
C104, 204	8232 0264 73	" , 0.047 μ F, " "
304, 404	"	"
C105, 205	8232 0191 54	Electrolytic, 0.15 μ F, 50V, KAVB
305, 405	"	"
C106, 206	8232 0264 73	Mylar, 0.047 μ F, 50V, J
306, 406	"	"
C107, 207	8232 0031 06	Electrolytic, 10 μ F, 16V, SMVB
307, 407	"	"
C108, 208	8232 0341 02	Ceramic, 1000pF, 50V, K
308, 408	"	"
C109, 209	8232 0261 03	Mylar, 0.01 μ F, 50V, J
309, 409	"	"
C110, 210	8232 0303 33	" , 0.033 μ F, " "
310, 410	"	"
C111, 211	8232 0341 02	Ceramic, 1000pF, 50V, K
311, 411	"	"
C112, 212	"	"
312, 412	"	"
C113, 213	8232 0261 83	Mylar, 0.018 μ F, 50V, J
313, 413	"	"
C114, 214	8232 0061 05	Electrolytic, 1 μ F, 50V, SMVB
314, 414	"	"

Ref. No.	Parts No.	Nomenclature	Ref. No.	Parts No.	Nomenclature
C115, 215	8232 0342 72	Ceramic, 2700pF, 50V, K	C155, 255	8232 0312 22	" , 2200pF, 100V, "
315, 415	"	"	355, 455	"	"
C116, 216	0232 0264 73	Mylar, 0.047uF, 50V, J	C156, 256	8232 0063 35	Electrolytic, 3.3uF, 50V, SMVB
316, 416	"	"	356, 456	"	"
C117, 217	8232 0191 54	Electrolytic, 0.15uF, 50V, KAVB	C157, 257	8232 0061 05	" , 1uF, 50V, SMVB
317, 417	"	"	357, 457	"	"
C118, 218	8232 0192 24	" 0.22uF " "	C158, 258	" " " "	
318, 418	"	"	358, 458	"	"
C119, 219	8232 0031 06	" , 10uF, 16V, SMVB	C159, 259	8232 0061 05	Electrolytic, 1uF, 50V, SMVB
319, 419	"	"	359, 459	"	"
C120, 220	8232 0341 02	Ceramic, 1000pF, 50V, K	C160, 260	8232 0318 21	Polypropylene, 820pF, 50V, J
320, 420	"	"	360, 460	"	"
C121, 221	8232 0261 03	Mylar, 0.01uF, 50V, J	C161, 261	8232 0024 76	Electrolytic, 47uF, 10V, SMVB
321, 421	"	"	361, 461	"	"
C122, 222	8232 0031 06	Electrolytic, 10uF, 16V, SMVB	C162, 262	8232 0322 71	Ceramic, 270pF, 50V, J
322, 422	"	"	362, 462	"	"
C123, 223	8232 0303 33	Polypropylene, 0.033uF, 100V, G	C163, 263	8232 0721 06	Electrolytic, 10uF, 25V, LRVB
323, 423	"	"	363, 463	"	"
C124, 224	8232 0341 02	Ceramic, 1000pF, 50V, K	C501	8232 0061 05	Electrolytic, 1uF, 50V, SMVB
324, 424	"	"	C502	8232 0315 61	Polypropylene, 560pF, 50V, J
C125, 225	"	"	C503-505	8232 0321 09	Ceramic, 1pF, 50V, J NPO
325, 425	"	"	C506	8232 0313 31	Polypropylene, 330pF, 50V, J
C126, 226	8232 0264 73	Mylar, 0.047uF, 50V, J			
326, 426	"	"			
C127, 227	8232 0064 74	Electrolytic, 0.47uF, 50V, SMVB			VARIABLE RESISTORS
327, 427	"	"	R190, 290	8231 0025 02	carbon, flat mtg., 5K Ω , B
C128, 228	8232 0032 26	" , 22uF, 16V, SMVB	390, 490	"	"
328, 428	"	"	R191, 291	8231 0022 02	" " " , 2K Ω , "
C129, 229	8232 0266 82	Mylar, 0.0068uF, 50V, J	391, 491	"	"
329, 429	"	"	R192, 292	8231 0021 03	" " " , 10K Ω , B
C130, 230	8232 0313 31	Polypropylene, 330pF, 50V, J	392, 492	"	"
330, 430	"	"	R193, 293	8231 0022 02	" " " , 2K Ω , B
C131, 231	8232 0192 24	Electrolytic, 0.22uF, 50V, KAVB	393, 493	"	"
331, 431	"	"	R194, 294	8231 0021 03	" " " , 10K Ω , B
C132, 232	8232 0062 25	" 2.2uF " "	394, 494	"	"
332, 432	"	"	R195, 295	8231 0021 04	" " " , 100K Ω , B
C133, 233	8232 0321 81	Ceramic, 180pF, 50V, J	395, 495	"	"
333, 433	"	"	R510	8231 0021 02	" " " , 1K Ω , B
C134, 234	8232 0313 91	Polypropylene, 390pF, 50V, J			
334, 434	"	"			
C135, 235	8232 0511 01	Ceramic, 100pF, 50V, K			MISCELLANEOUS
335, 435	"	"			
C136, 236	8232 0031 07	Electrolytic, 100uF, 16V, SMVB			8207 0001 01 Heat sink, IC-1625
336, 436	"	"			8214 0017 06 Washer, fiber, 3mm, white
C137, 237	8232 0574 74	" , BP, 0.47uF, 50V, SMVB			Screw, binder head, M3X6
337, 437	"	"			8276 0020 04 Jumper wire, formed to 10mm pitch, amount - 103
C138, 238	8232 0034 76	" , 47uF, 16V, SMVB			8276 0720 20 Cable, flat, 2 cond., L=200mm
338, 438	"	"			8248 0010 07 Relay, submini, G-2E, 24V
C139, 239	8232 0266 82	Mylar, 0.0068uF, 50V, J	K101, 201		
339, 439	"	"	301, 401		
C140, 240	8232 0031 06	Electrolytic, 10uF, 16V, SMVB	L101, 201	8242 0010 00	Inductor, 36mH
340, 440	"	"	301, 401	"	"
C141, 241	8232 0311 22	Polypropylene, 1200pF, 50V, J	L102, 202	8242 0030 00	" , 3/2mH
341, 441	"	"	302, 402	"	"
C142, 242	8232 0031 06	Electrolytic, 10uF, 16V, SMVB	L103, 203	8242 0020 00	" , 11/21mH
342, 442	"	"	303, 403	"	"
C143, 243	8232 0021 07	" , 100uF, 10V, SMVB	L104, 204	"	"
343, 443	"	"	304, 404	"	"
C144, 244	8232 0041 07	" " , 25V, SMVB	L105, 205	8242 0030 00	" , 3/2mH
344, 444	"	"	305, 405	"	"
C145, 245	8232 0031 06	" , 10uF, 16V, "	L106, 206	8242 0040 00	Inductor, 0.8mH
345, 445	"	"	306, 406	"	"
C146, 246	8232 0032 26	" , 22uF, 16V, SMVB	L107, 207	8242 0010 00	" , 36mH
346, 446	"	"	307, 407	"	"
C147, 247	8232 0261 82	Mylar, 1800pF, 50V, J	L501	8242 0090 00	" , bias
347, 447	"	"	L502	8242 0140 00	" , 12mH
C148, 248	8232 0344 71	Ceramic, 470pF, 50V, K	S101	8253 0110 03	Switch, slide, SSA042
348, 448	"	"	J101	8245 0010 04	Connector, jack, 4P, W 5045-04A
C149, 249	8232 0031 06	Electrolytic, 10uF, 16V, SMVB	J102	8245 0010 06	" , 6P, W 5045-06A
349, 449	"	"	J103	8245 0240 02	" " , 2P, W 5045-02F
C150, 250	8232 0740 00	Ceramic, 0.1uF, 50V, J	J104	8245 0010 05	" " , 5P, W 5045-05A
350, 450	"	"	J105	8245 0010 25	" " , 5P, R 5045-05A
C151, 251	8232 0054 75	Electrolytic, 4.7uF, 35V, SMVB	J106	8245 0010 45	" " , 5P, B 5045-05A
351, 451	"	"	J107	8245 0010 24	" " , 4P, R 5045-04A
C152, 252	8232 0263 33	Mylar, 0.033uF, 50V, J	J108	8245 0010 44	" " , 4P, B 5045-04A
352, 452	"	"	J109	8245 0010 08	" " , 8P, W 5045-08A
C153, 253	8232 0325 60	Ceramic, 56pF, 50V, J	J110	8245 0010 07	" " , 7P, W 5045-07A
353, 453	"	"	J111	8245 0010 26	" " , 6P, R 5045-06A
C154, 254	8232 0314 72	Polypropylene, 4700pF, 100V, J	J112, 113	8245 0020 08	" " , 8P, W 3024-08CH
354, 454	"	"	TP	8276 0010 00	Pin, header

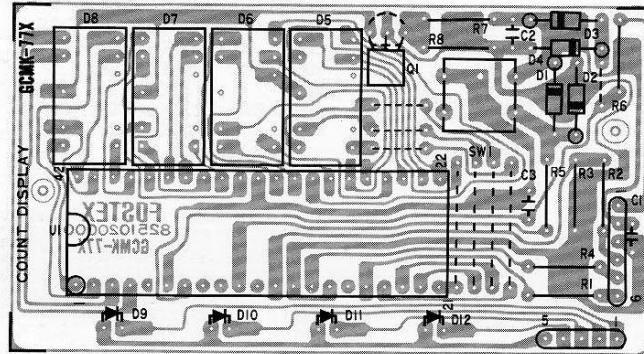
SYSTEM CONTROL PCB ASSEMBLY



SYSTEM CONTROL PCB ASSEMBLY, Assy No. 8273 0060 00

Ref. No.	Parts No.	Nomenclature	Ref. No.	Parts No.	Nomenclature
	8251 0240 00	PCB, system control	R067	8230 0041 02	" " , 1K Ω , J
	IC's		R068	8230 0041 03	" " , 10K Ω , J
U001	8236 0005 01	Digital, HC14011B	R069	8230 0044 72	" " , 4.7K Ω , J
U002	8236 0031 01	" , MC14069UB	R070	8230 0041 02	" " , 1K Ω , J
U003	8236 0032 01	" , MC14070B	R071	8230 0045 62	" " , 5.6K Ω , J
U004	8236 0007 01	" , MC14013B	R072	8230 0041 03	" " , 10K Ω , J
U005	8236 0070 00	" , TC9121	R073	8230 0041 04	" " , 100K Ω , J
U006	8236 0040 01	" , MC14081B	R074	8230 0041 03	" " , 10K Ω , J
	TRANSISTORS		R075	8230 0041 02	" " , 1K Ω , J
Q001		Deleted	R076	8230 0041 03	" " , 10K Ω , J
Q002	8234 0009 03	2SC1384R	R077	8230 0041 04	" " , 100K Ω , J
Q003	8234 0002 03	"	R078	8230 0041 03	" " , 10K Ω , J
Q004~006	8234 0010 03	2SA684R	R079	8230 0041 02	" " , 1K Ω , J
Q007, 008	8234 0009 03	2SC1384R	R080~082	8230 0045 62	" " , 5.6K Ω , J
Q009	8234 0002 03	2SC1815GR	R083	8230 0047 53	" " , 75K Ω , J
Q010	8234 0005 01	2S9834 Φ	R084, 085	8230 0041 03	" " , 10K Ω , "
Q011	8234 0002 03	2SC1815GR	R086	8230 0043 33	" " , 33K Ω , "
Q012	8234 0009 03	2SC1384R			
Q013	8234 0002 03	2SC1815GR			
Q014	8234 0009 03	2SC1384R			
Q015~019	8234 0002 03	2SC1815GR			
	DIODES				
D001~019	8234 0018 00	MA-150			
D020		Deleted			
D021~038	8234 0018 00	MA-150			
D039, 040	8234 0007 00	1N4002			
D041~046	8234 0018 00	MA-150			
	CARBON RESISTORS				
All resistors $\frac{1}{4}$ W and resistance $\pm 5\%$					
R001~009	8230 0042 22	Vertical mounting, 2.2K Ω , J			
R010	8230 0044 74	" " , 470K Ω , "			
R011	8230 0041 04	" " , 100K Ω , "			
R012	8230 0041 09	" " , 1 Ω , J			
R013	8230 0042 23	" " , 22K Ω , J			
R014	8230 0042 22	" " , 2.2K Ω , J			
R015~018	8230 0041 03	" " , 10K Ω , J			
R019	8230 0041 04	" " , 100K Ω , J			
R020	8230 0041 03	" " , 10K Ω , J			
R021	8230 0046~21	" " , 620 Ω , "			
R022, 023	8230 0041 03	" " , 10K Ω , "			
R024	8230 0041 05	" " , 1M Ω , J			
R025	8230 0042 22	Vertical mounting, 2.2K Ω , J			
R026	8230 0041 23	" " , 12K Ω , J			
R027	8230 0042 23	" " , 22K Ω , "			
R028	8230 0044 73	" " , 47K Ω , "			
R029	8230 0044 74	" " , 470K Ω , J			
R030	8230 0044 72	" " , 4.7K Ω , "			
R031~033	8230 0044 73	" " , 47K Ω , J			
R034	8230 0043 33	" " , 33K Ω , "			
R035	8230 0048 22	" " , 8.2K Ω , J			
R036	8230 0044 70	" " , 47 Ω , J			
R037	8230 0046 81	" " , 680 Ω , J			
R038, 039	8230 0041 03	" " , 10K Ω , "			
R040	8230 0041 05	" " , 1M Ω , J			
R041	8230 0042 22	" " , 2.2K Ω , J			
R042, 043	8230 0041 54	" " , 150K Ω , "			
R044, 045	8230 0041 03	" " , 10K Ω , J			
R046, 047	8230 0044 73	" " , 47K Ω , "			
R048	8230 0041 04	" " , 100K Ω , J			
R049	8230 0044 73	" " , 47K Ω , J			
R050	8230 0041 04	" " , 100K Ω , J			
R051	8230 0046 81	" " , 680 Ω , J			
R052	8230 0041 02	" " , 1K Ω , J			
R053	8230 0041 03	" " , 10K Ω , J			
R054	8230 0046 82	" " , 6.8K Ω , J			
R055	8230 0043 31	" " , 330 Ω , J			
R056~058	8230 0042 22	" " , 2.2K Ω , J			
R059	8230 0043 31	" " , 330 Ω , J			
R060		Deleted			
R061, 062	8230 0043 31	Vertical mounting, 330 Ω , J			
R063	8230 0042 22	" " , 2.2K Ω , J			
R064	8230 0043 31	" " , 330 Ω , J			
R065, 066	8230 0042 22	" " , 2.2K Ω , J			

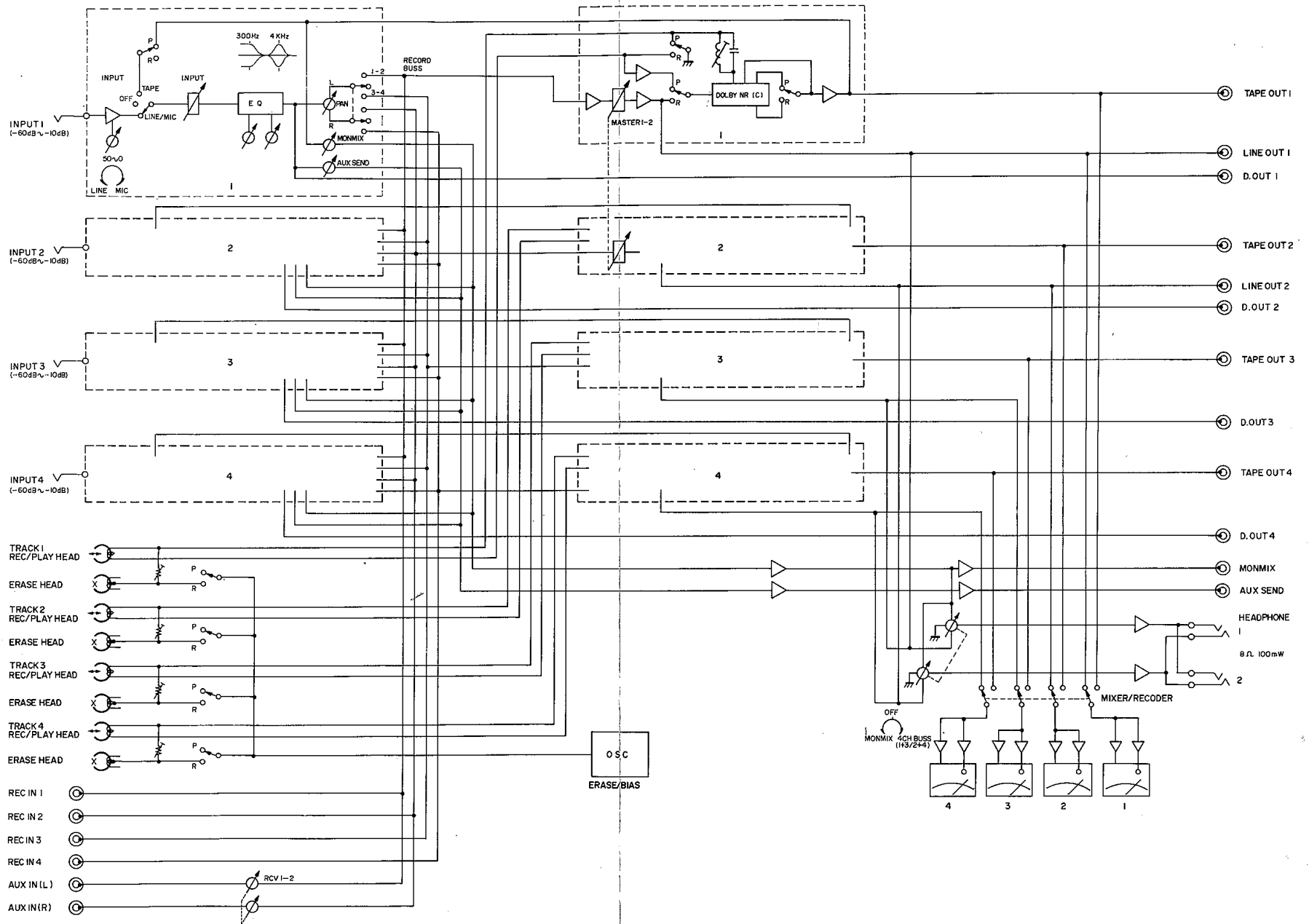
COUNTER DISPLAY PCB ASSEMBLY



COUNTER DISPLAY PCB ASSEMBLY, Assy No. 8273 0010 00

Ref. No.	Parts No.	Nomenclature
	8251 0200 00	PCB, counter display
		IC
U001	8236 0071 00	Digital, LM8523
		TRANSISTOR
Q001	8234 0010 03	2SA684R
		DIODES
D001~004	8234 0018 00	MA-150
D005~008	8234 0023 00	LED, display, MAN 74A
D009~012	8234 0015 01	LED, LN233RP
		CARBON RESISTORS
All resistors $\frac{1}{4}$ W and resistance $\pm 5\%$		
R001	8230 0053 33	Flat mounting, 33K Ω , J
R002	8230 0051 01	" " , 100 Ω , "
R003	8230 0051 04	" " , 100K Ω , J
R004	8230 0052 22	" " , 2.2K Ω , "
R005	"	" " " " "
R006	8230 0051 04	" " , 100K Ω , "
R007	8230 0053 31	" " , 330 Ω , J
R008	8230 0054 71	" " , 470 Ω , "
		CAPACITORS
C001~003	8232 0351 03	Ceramic, HE70SJYF103Z
		MISCELLANEOUS
S001	8253 0040 00	Switch, Tact, KHG10901

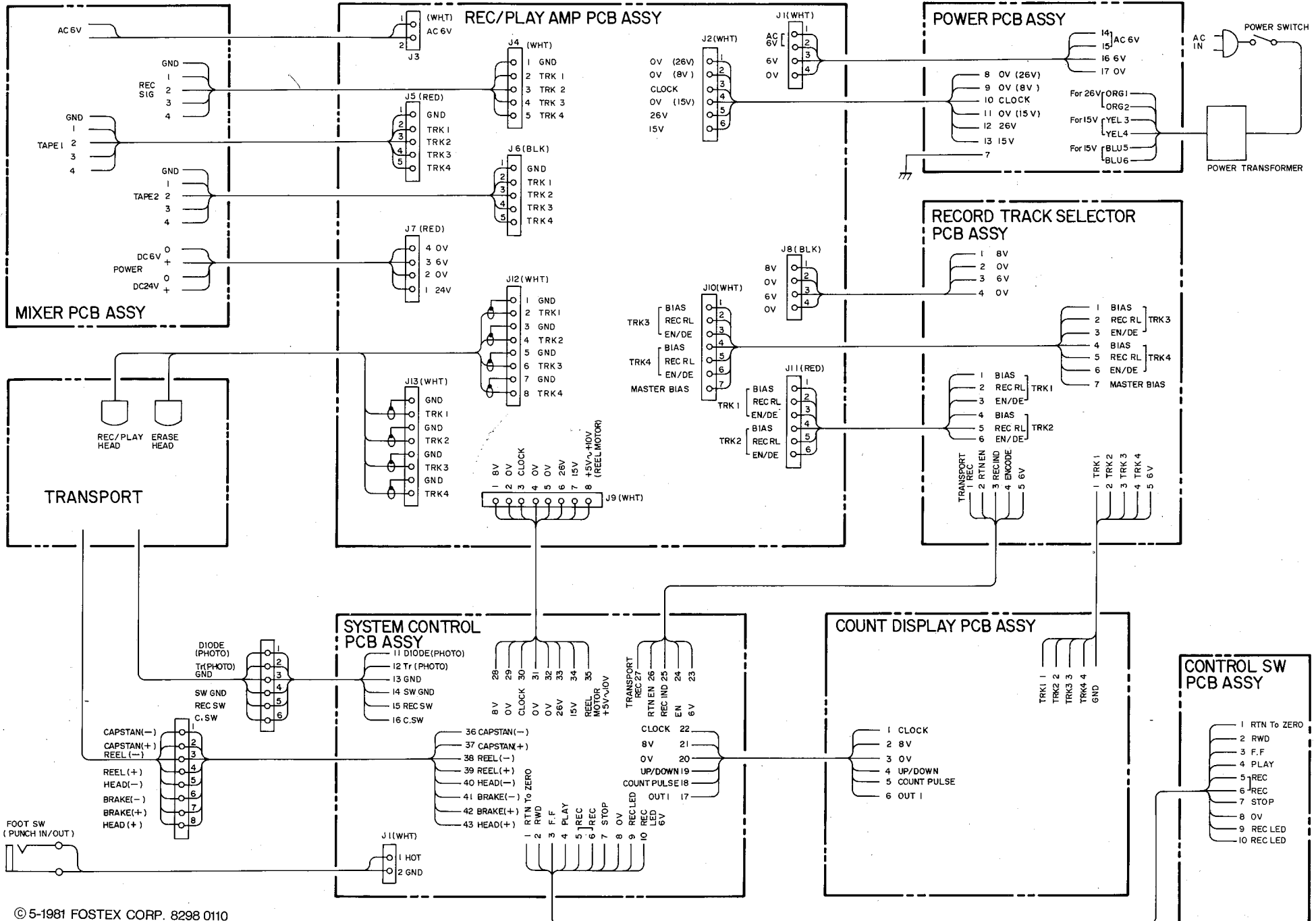
BLOCK DIAGRAM



© 5-1981 FOSTEX CORP. 8298 0120

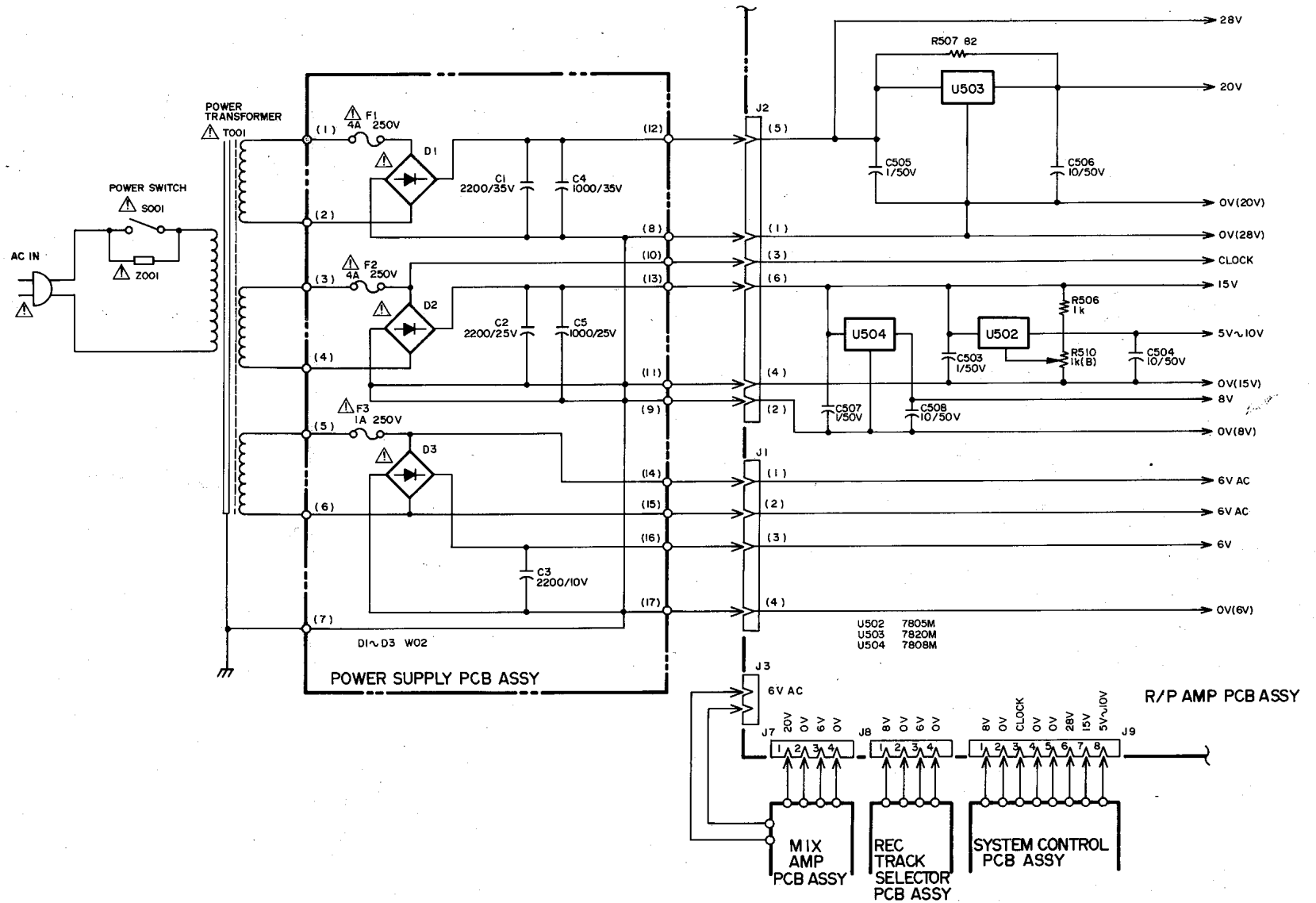
SCHEMATICS

Cabling interconnection



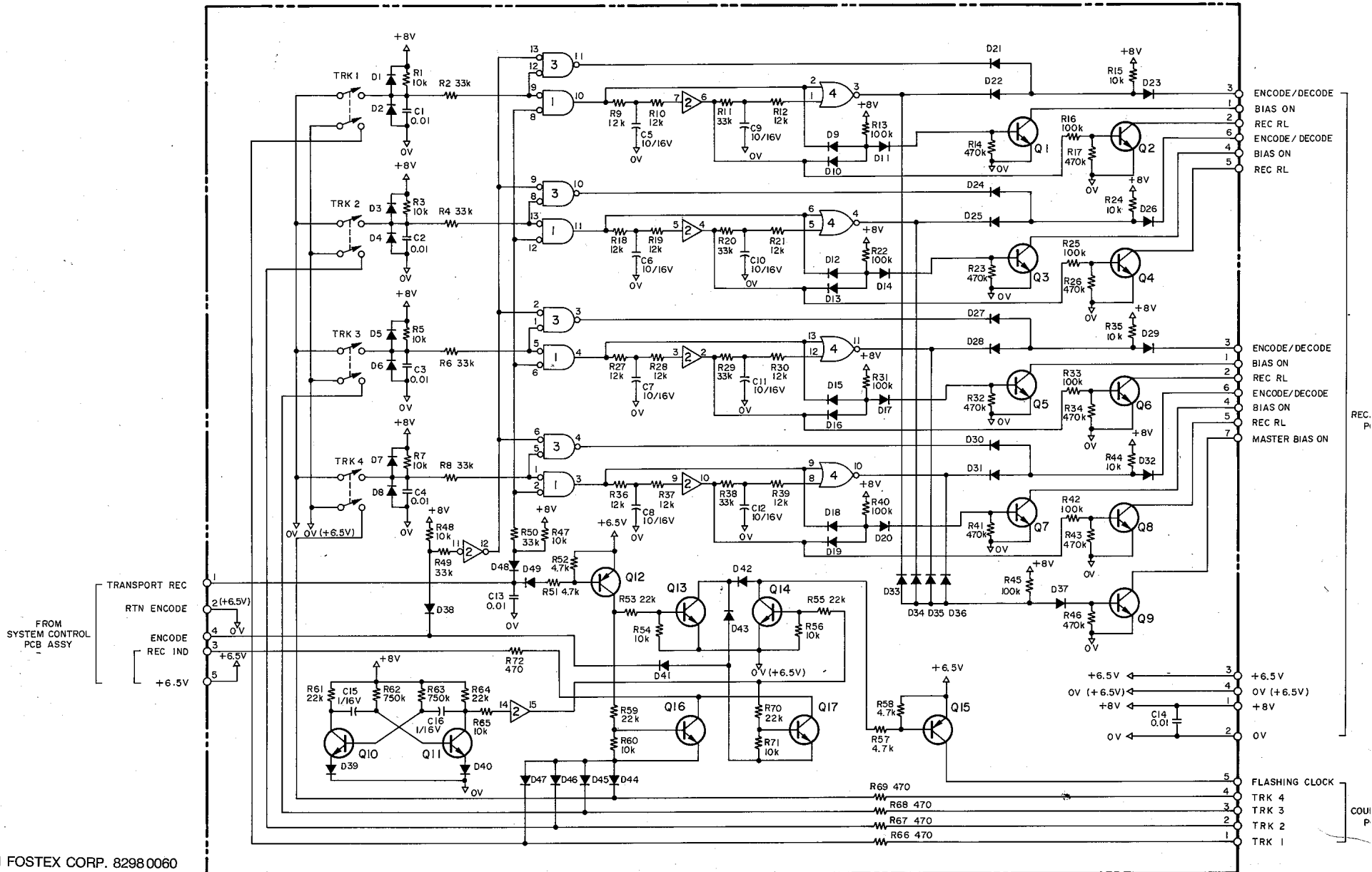
SCHEMATICS

Power supply

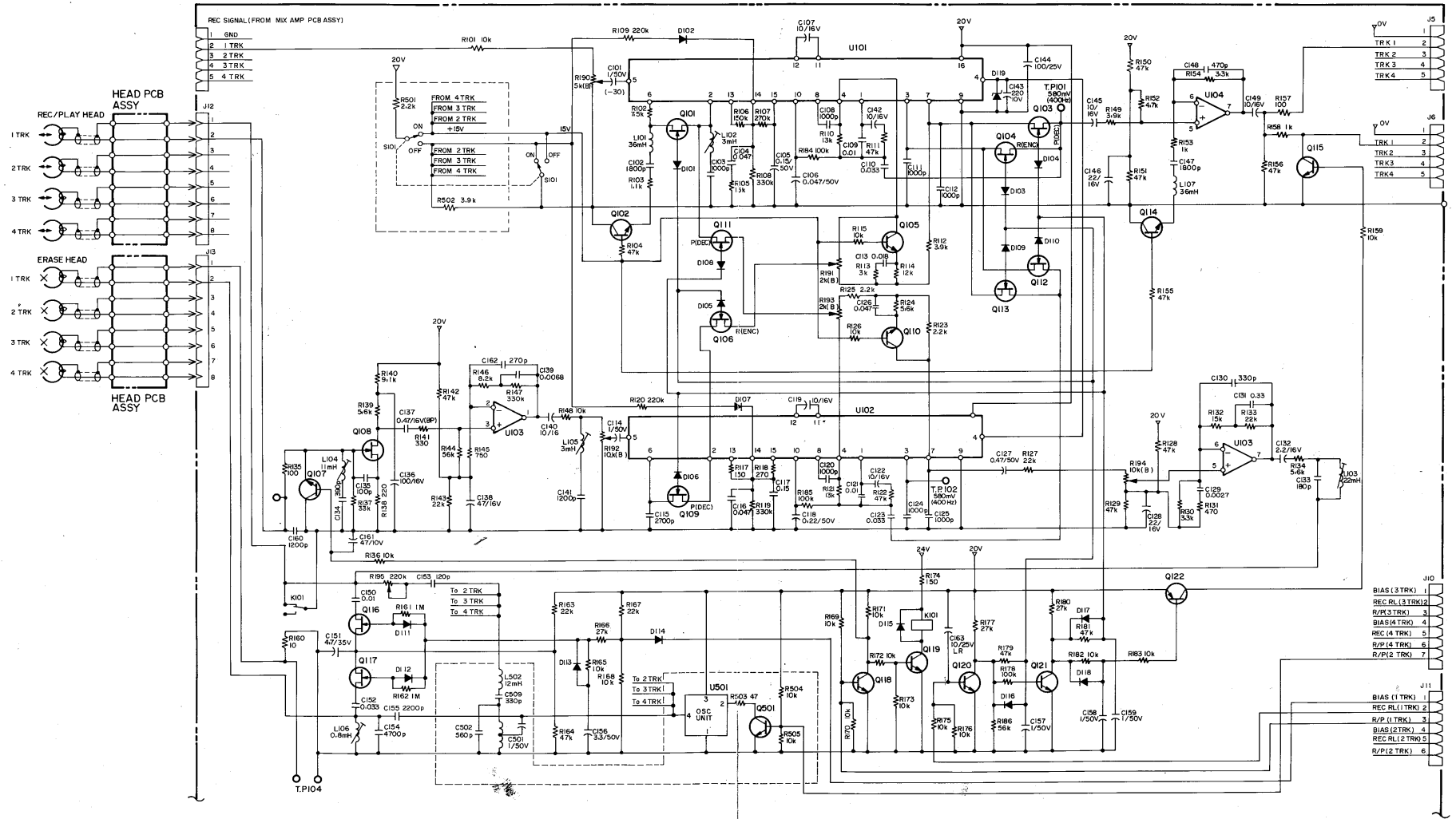


SCHEMATICS

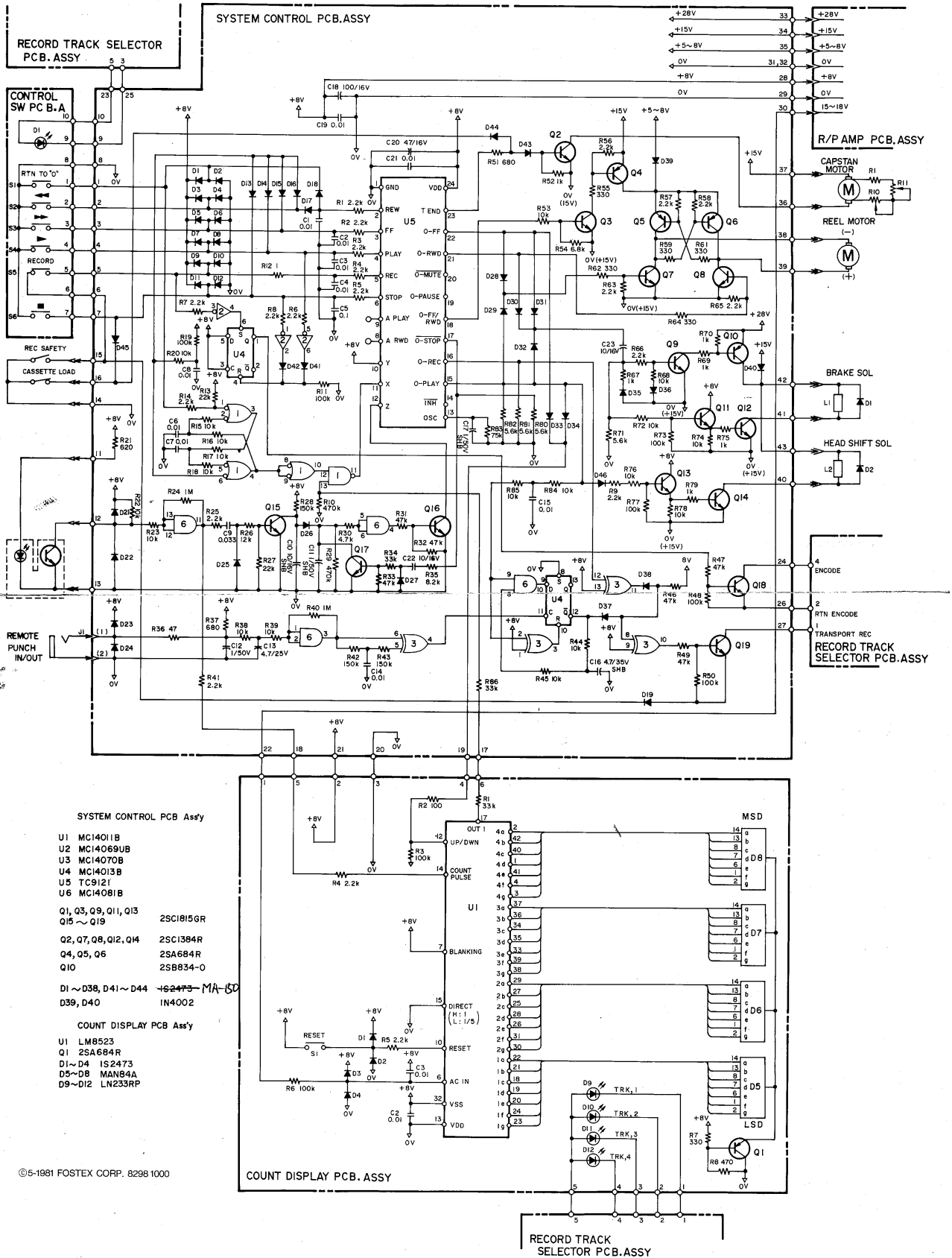
Record track selector



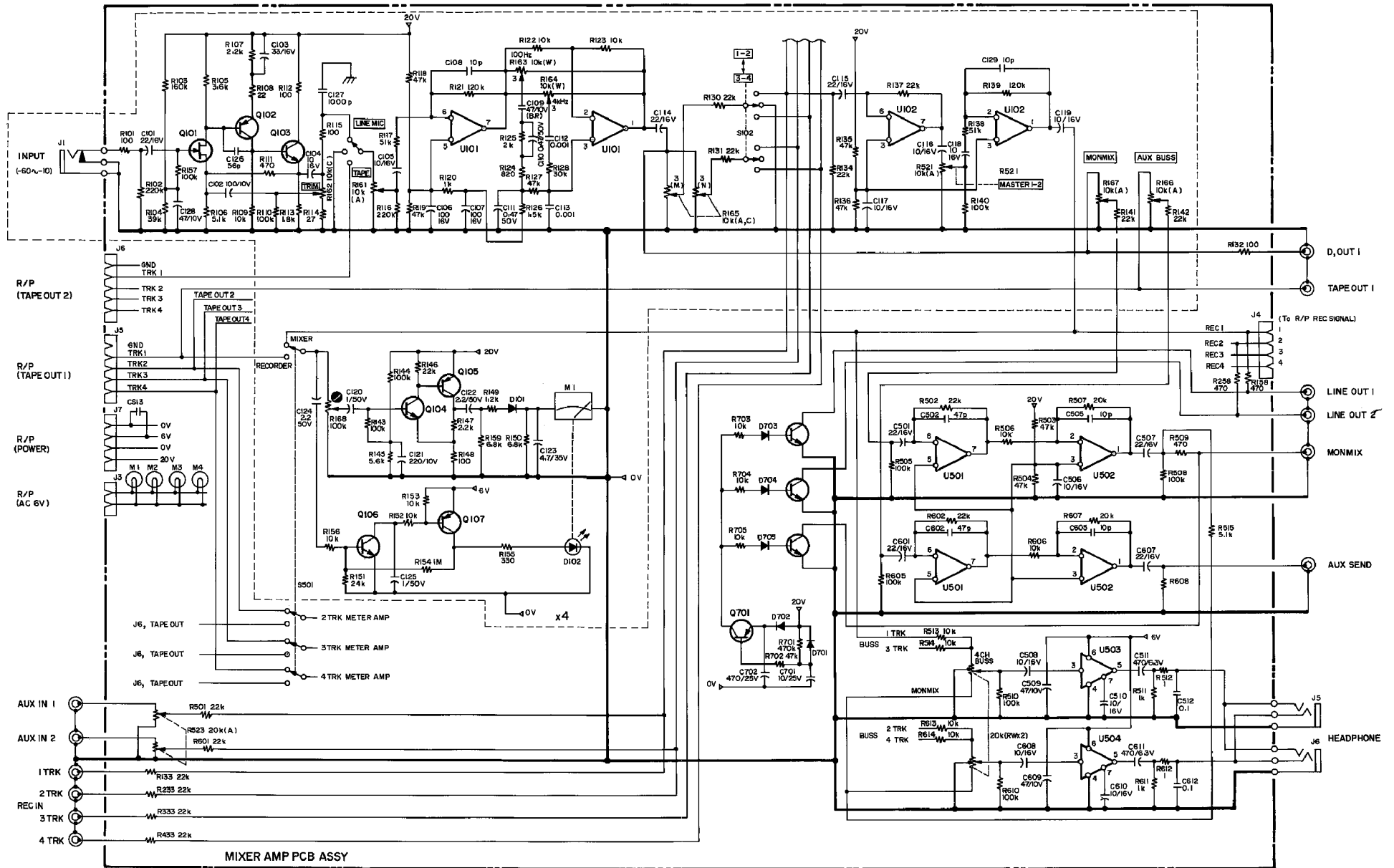
SCHEMATICS
Record/Playback amplifier



SCHEMATICS
System control and Count display



SCHEMATICS
Mixer amplifier



MIXER AMP PCB ASSY

	1CH & 2CH	3CH & 4CH
C116	10/16V	-
C118	10/16V	-
R140	100k	10k
R138	51k	10k
R139	120k	10k