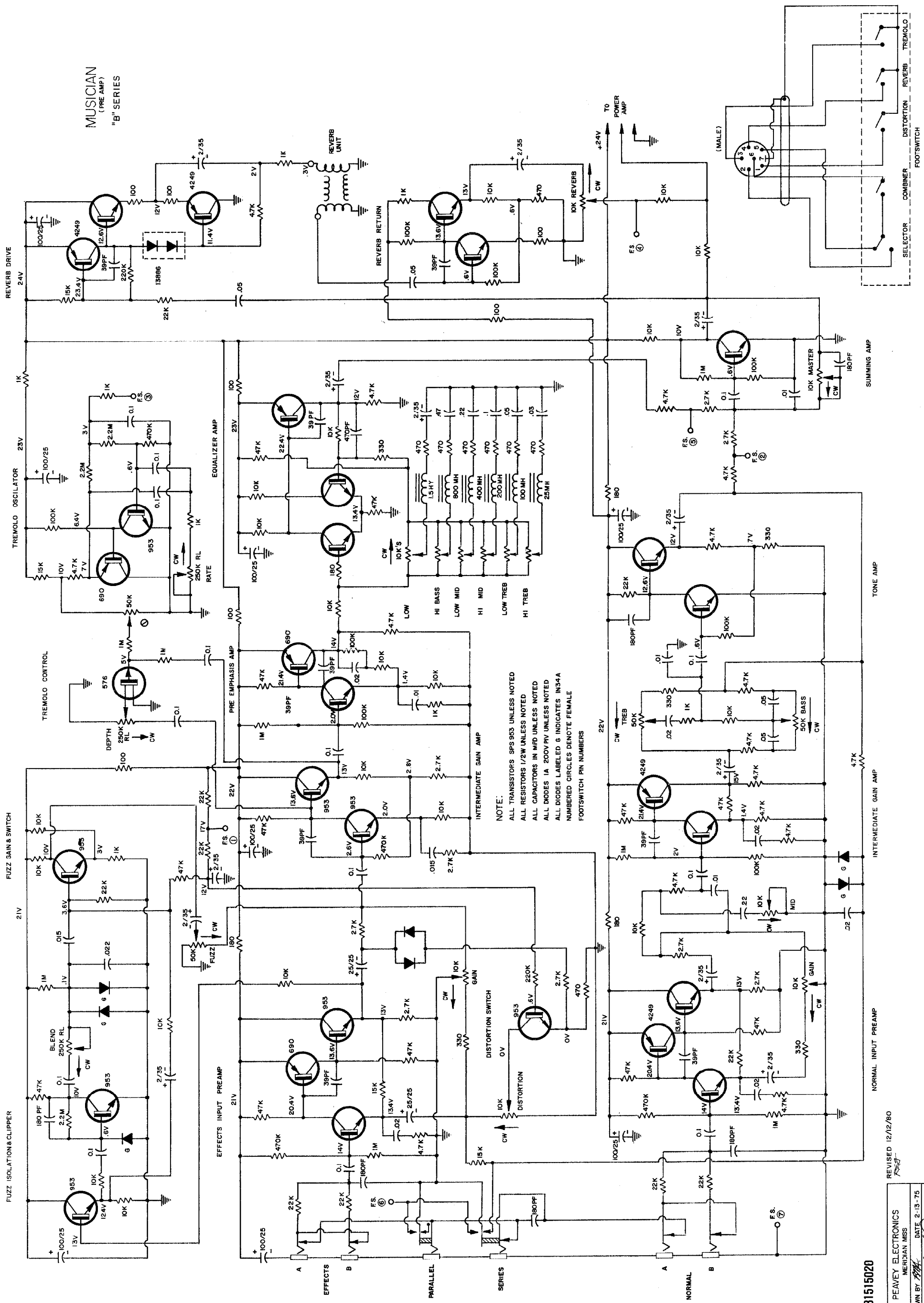


MUSICIAN
(PRE AMP)
"B" SERIES



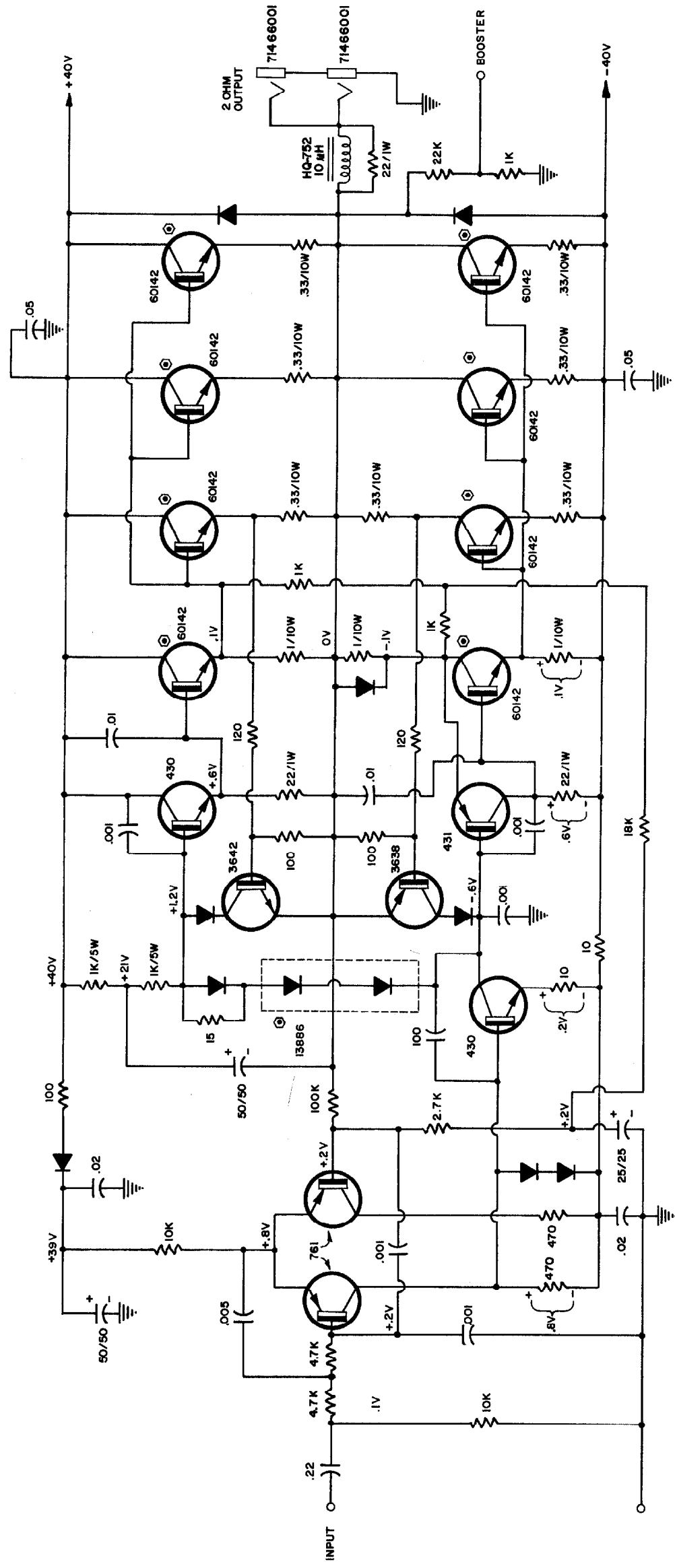
NOTE:
ALL TRANSISTORS SPS 953 UNLESS NOTED
ALL RESISTORS 1/2W UNLESS NOTED
ALL CAPACITORS IN MFD UNLESS NOTED
ALL DIODES 1A 200V PV UNLESS NOTED
NUMBERED CIRCLES DENOTE FEMALE
FOOTSWITCH PIN NUMBERS

81515020

REVISED 12/12/80

PEAVEY ELECTRONICS
MERIDIAN MSS
DRAWN BY [Signature]
CHECKED BY [Signature]
DATE 2-13-75
APPROVED BY [Signature]

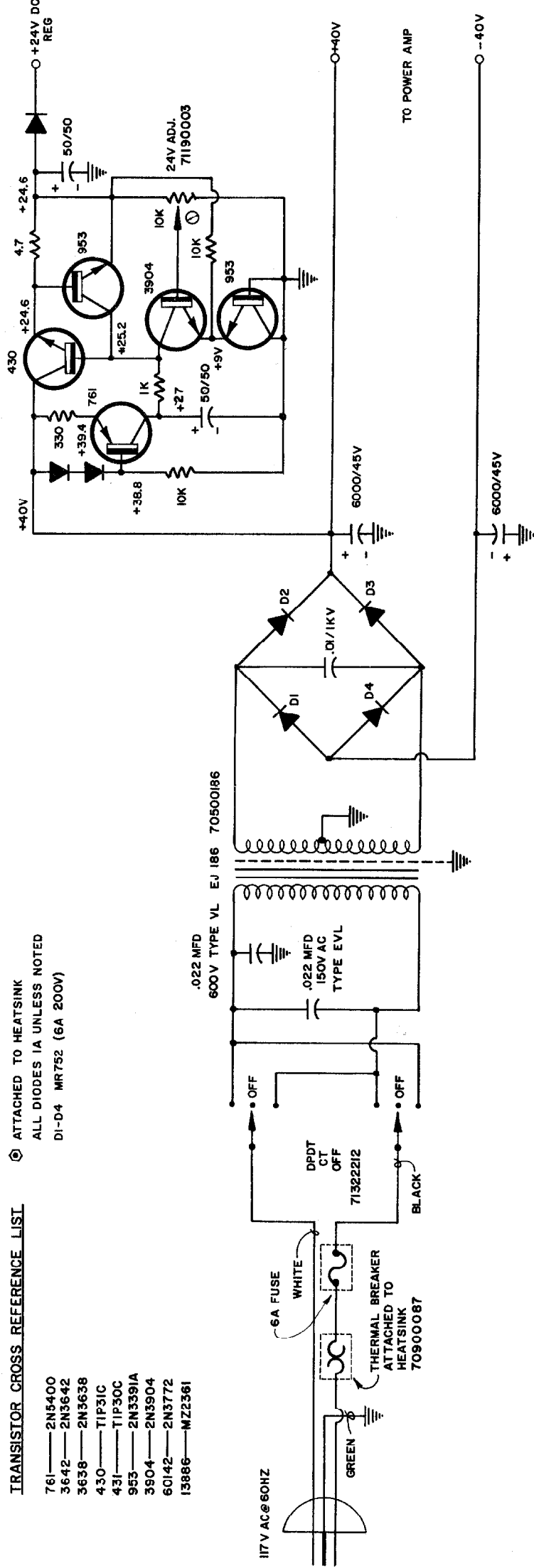
COPYRIGHT 1980 PRINTED IN U.S.A.



TRANSISTOR CROSS REFERENCE LIST

- 761 — 2N5400
- 3642 — 2N3642
- 3638 — 2N3638
- 430 — TIP31C
- 431 — TIP30C
- 953 — 2N3391A
- 3904 — 2N3904
- 60142 — 2N3772
- 13886 — MZ2361

⊙ ATTACHED TO HEATSINK
 ALL DIODES 1A UNLESS NOTED
 DI-D4 MR752 (6A 200V)



400 MODULE B-SERIES
 P/N 81505036

PEAVEY ELECTRONICS CORP.
 MERIDIAN, MS
 DRAWN BY: [Signature] DATE 4-29-75
 CHECKED BY: [Signature]
 APPROVED BY: [Signature]