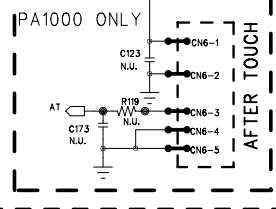
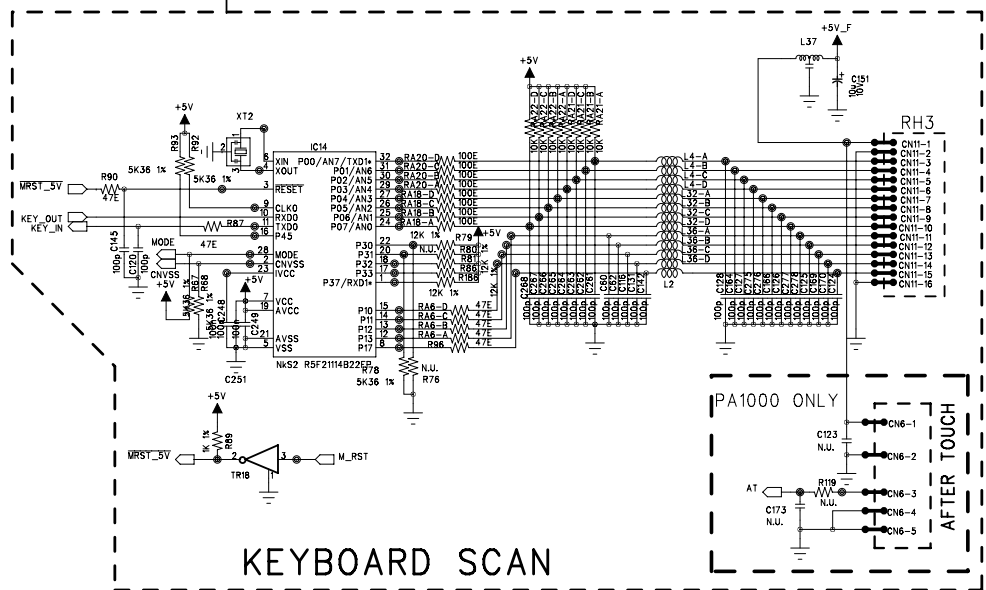
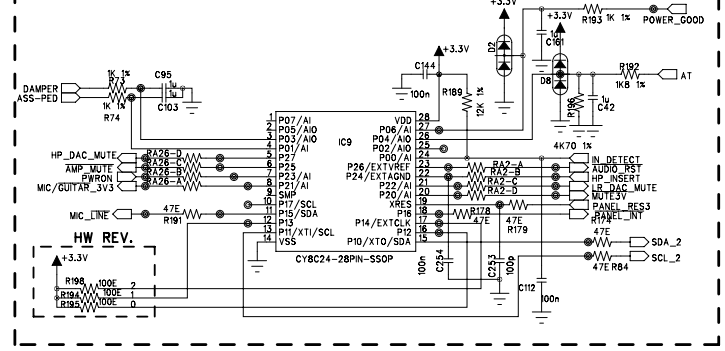


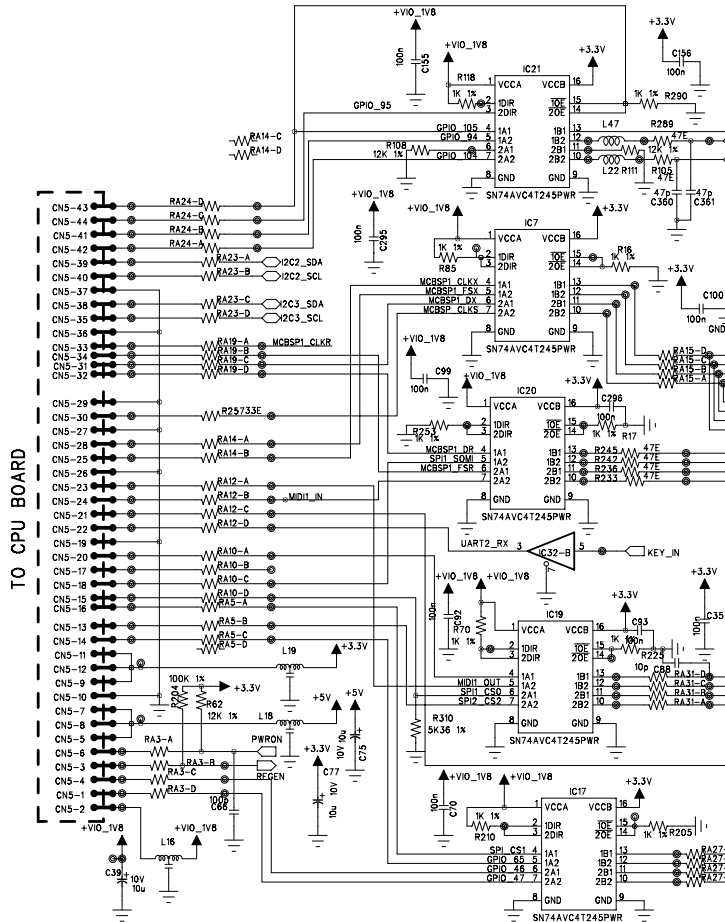
GRA0002254

PA900 ONLY

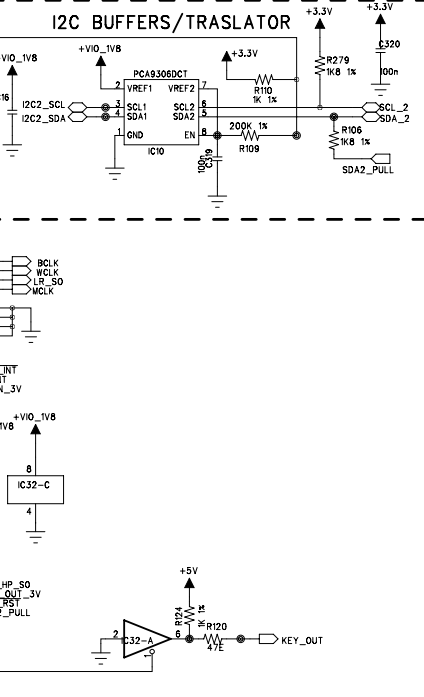
T.P./A.T. SCAN AND I/O EXPANDER PSoc



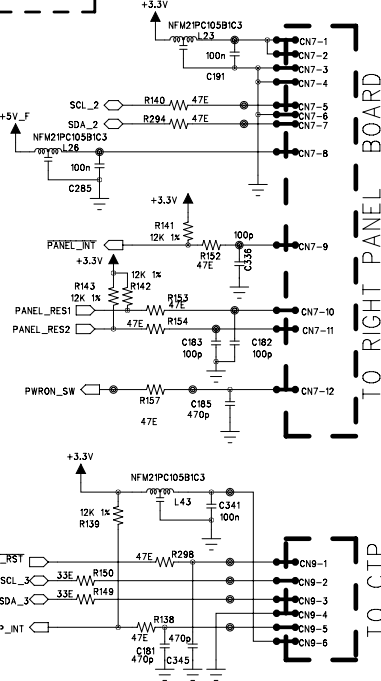
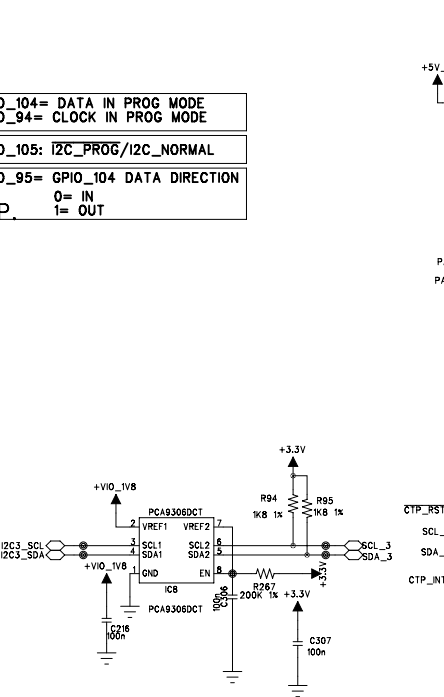
KEYBOARD SCAN



I2C BUFFERS/TRANSLATOR



GPIO_104= DATA IN PROG MODE
 GPIO_94= CLOCK IN PROG MODE
 GPIO_105: I2C_PROG/I2C_NORMAL
 GPIO_95= GPIO_104 DATA DIRECTION
 0= IN
 1= OUT
 T.P.

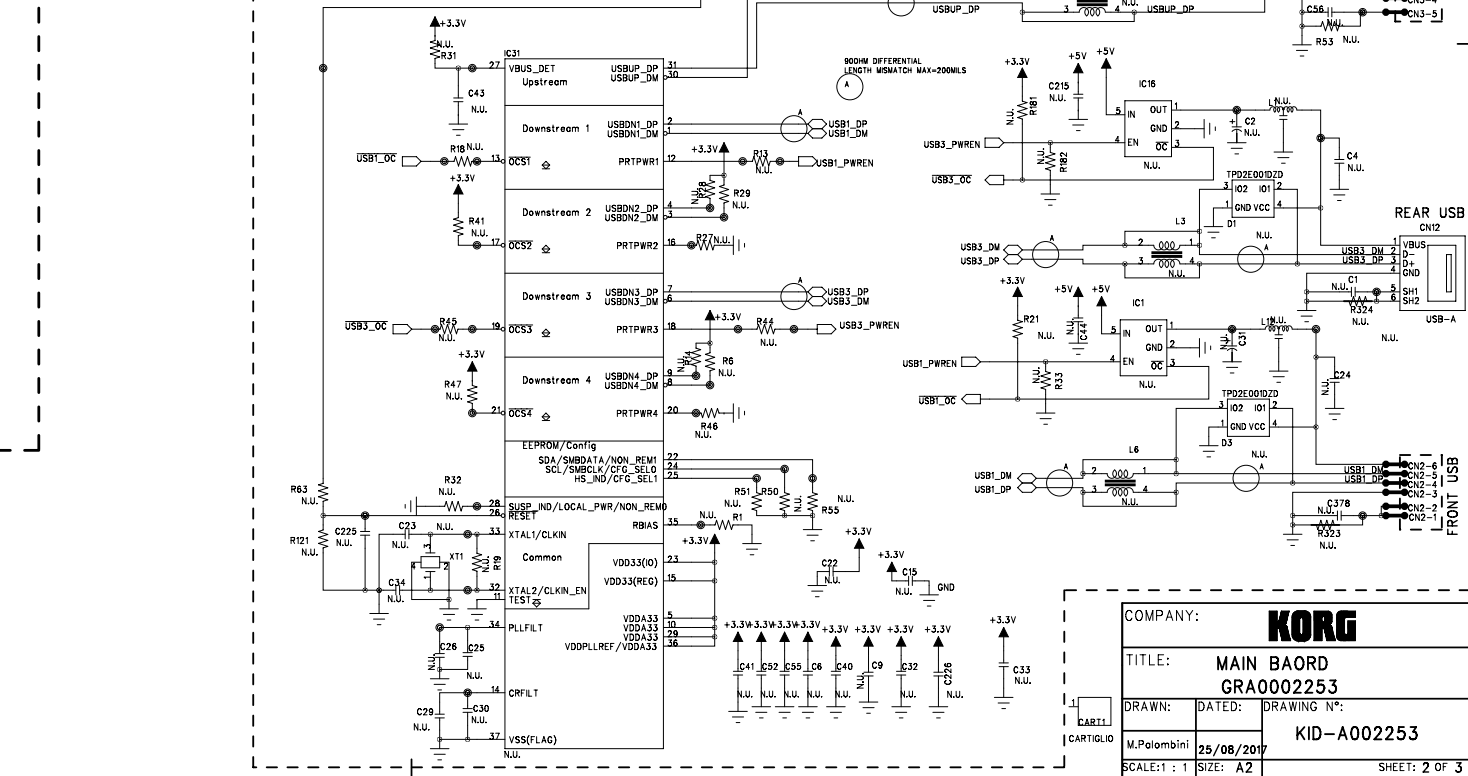
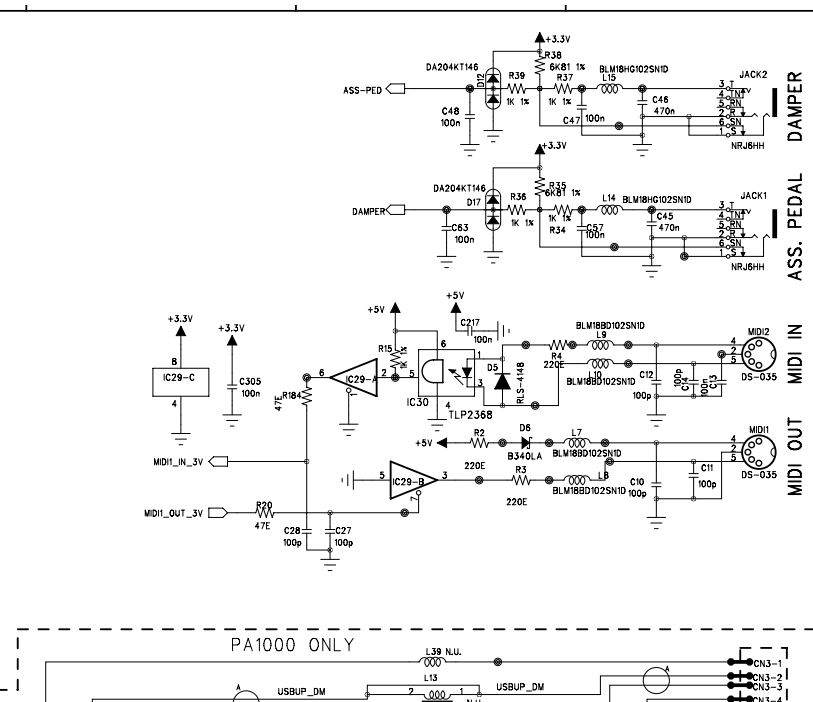
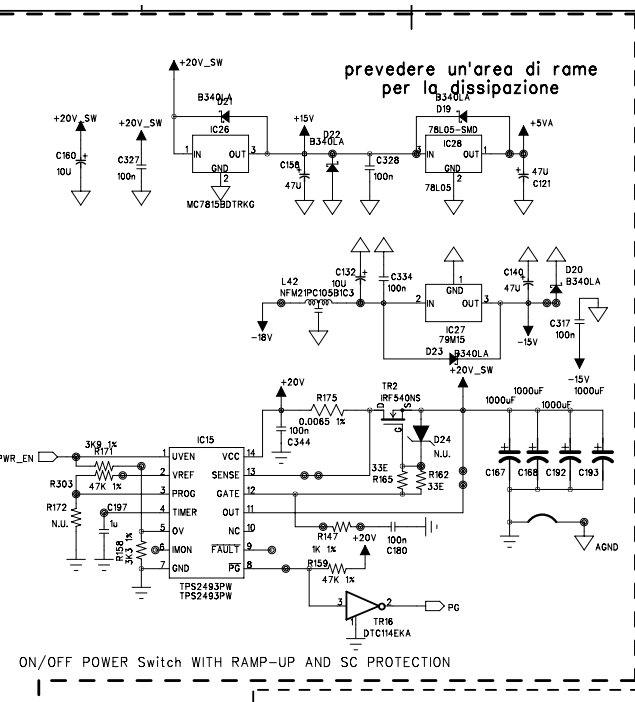
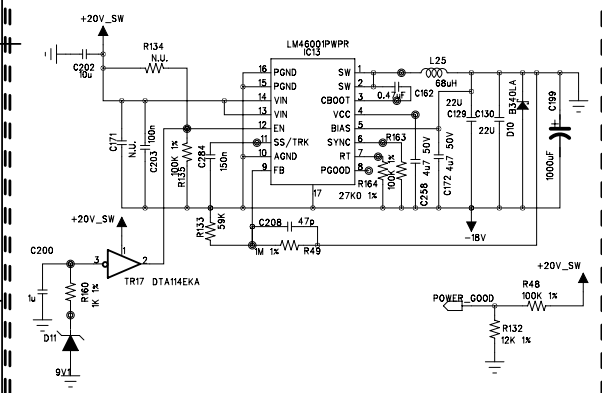
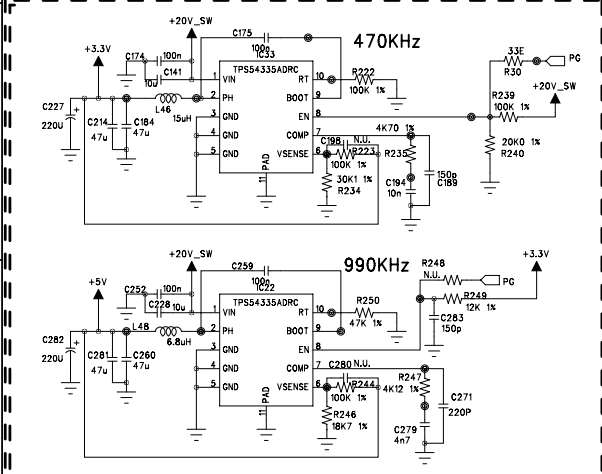
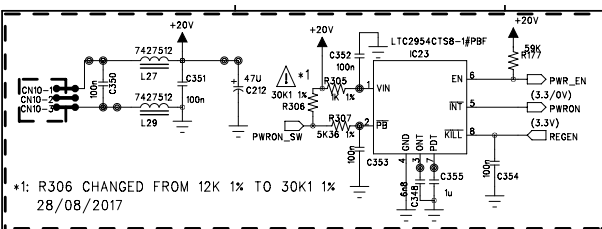


COMPANY: **KORG**

TITLE: MAIN BAORD
 GRA0002253

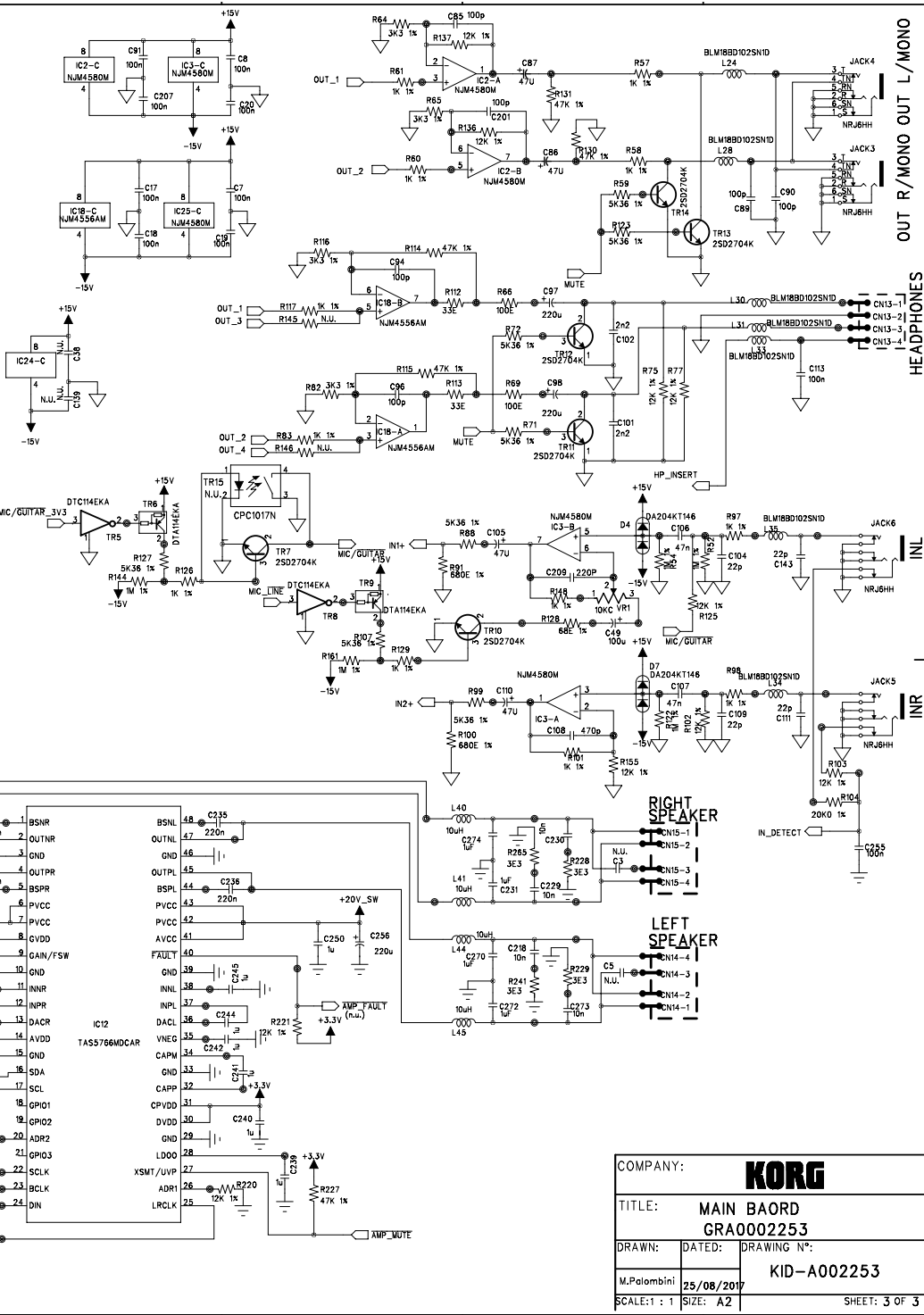
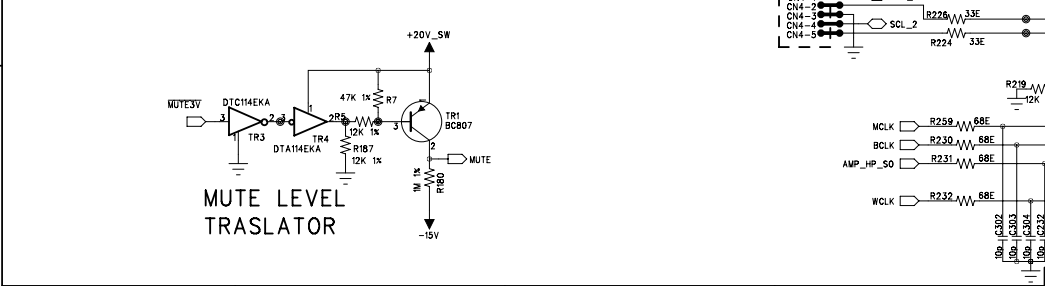
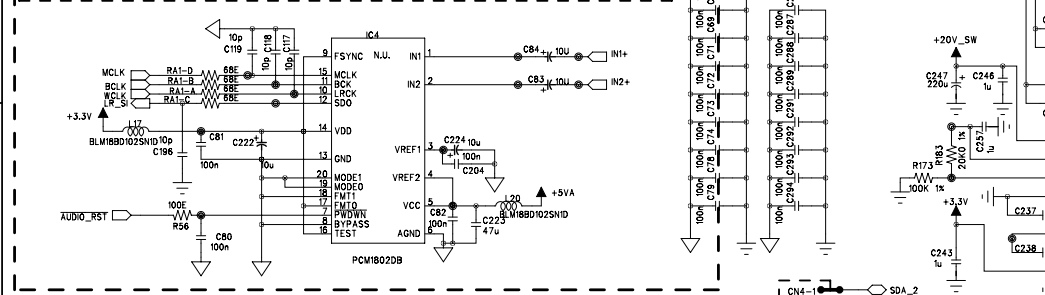
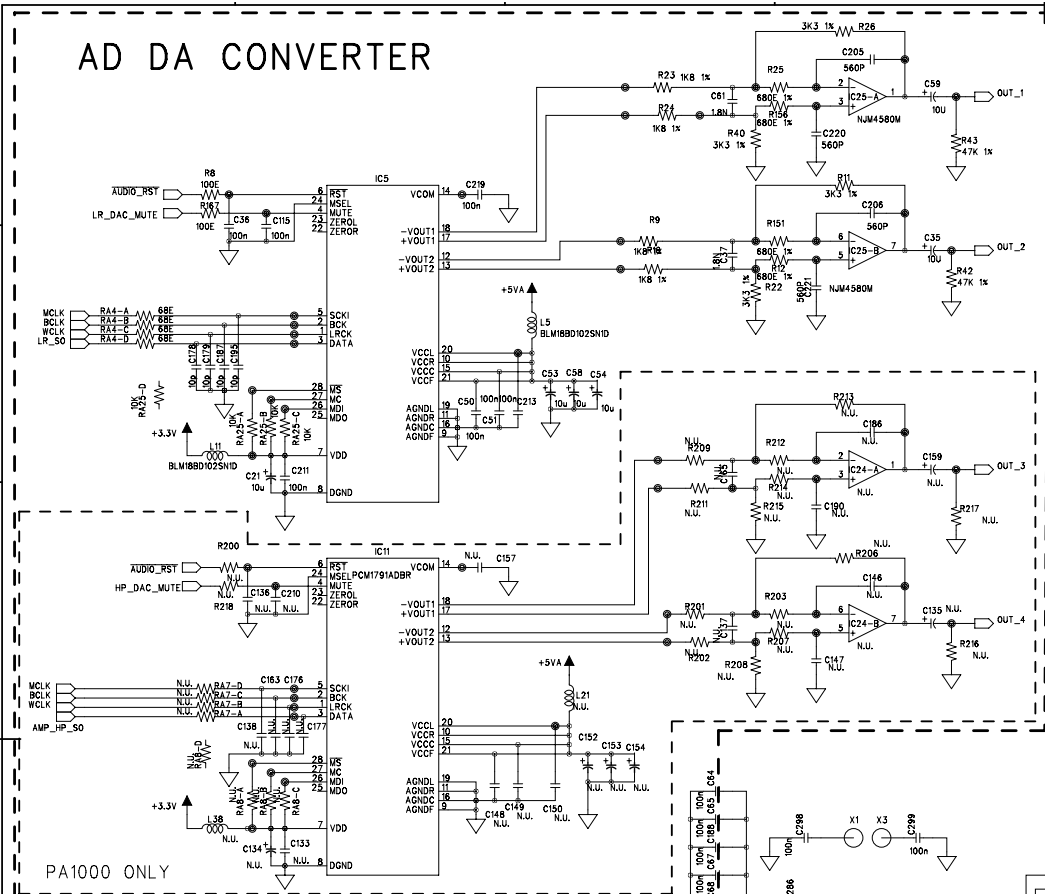
DRAWN: M.Palombini
 DATED: 25/08/2017
 DRAWING N°: KID-A002253

SCALE: 1 : 1
 SIZE: A2
 SHEET: 1 OF 3

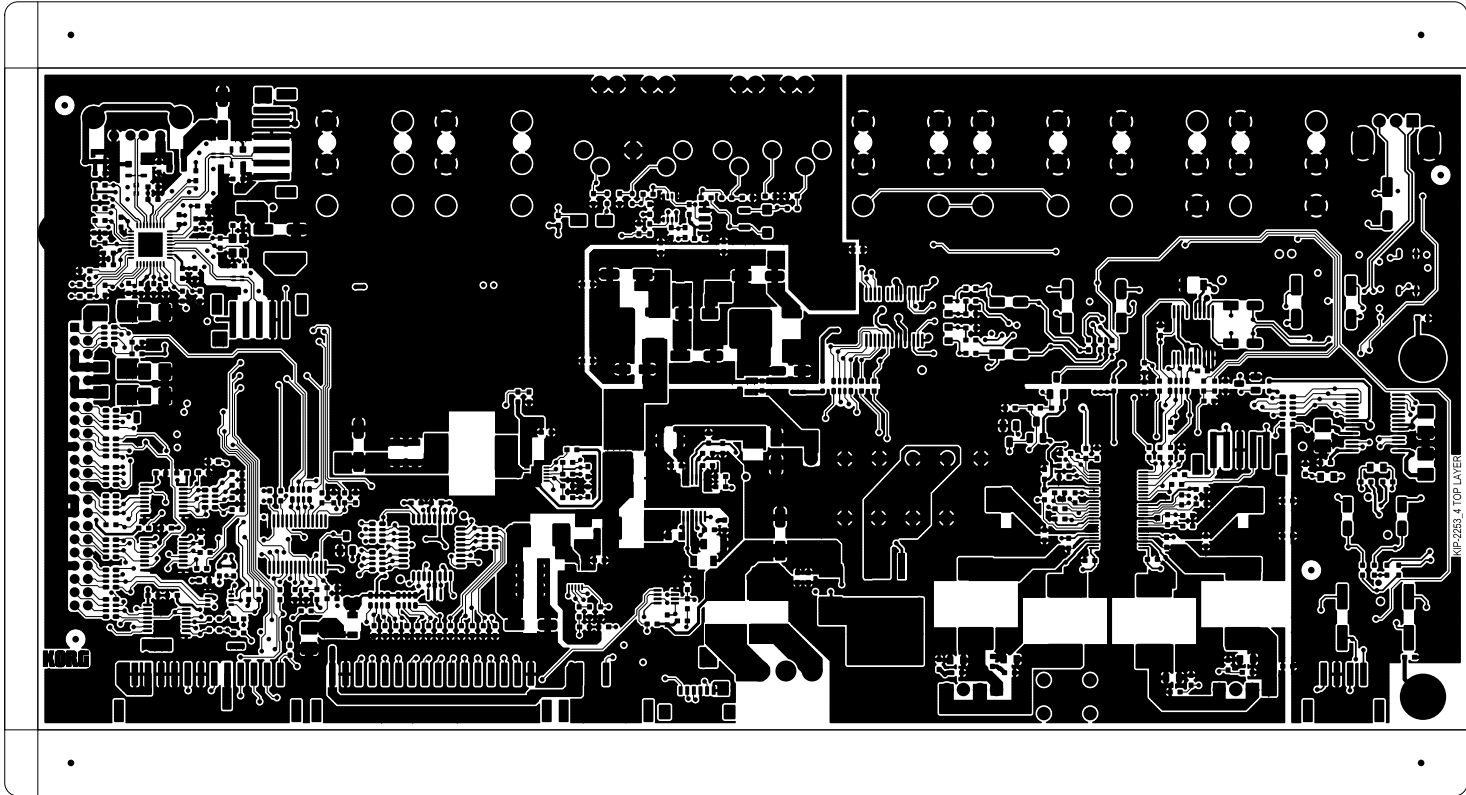


COMPANY:		KORG	
TITLE:		MAIN BAORD GRA0002253	
DRAWN:	DATED:	DRAWING N°:	
M.Palombini	25/08/2017		KID-A002253
SCALE: 1 : 1	SIZE: A2	SHEET: 2 OF 3	

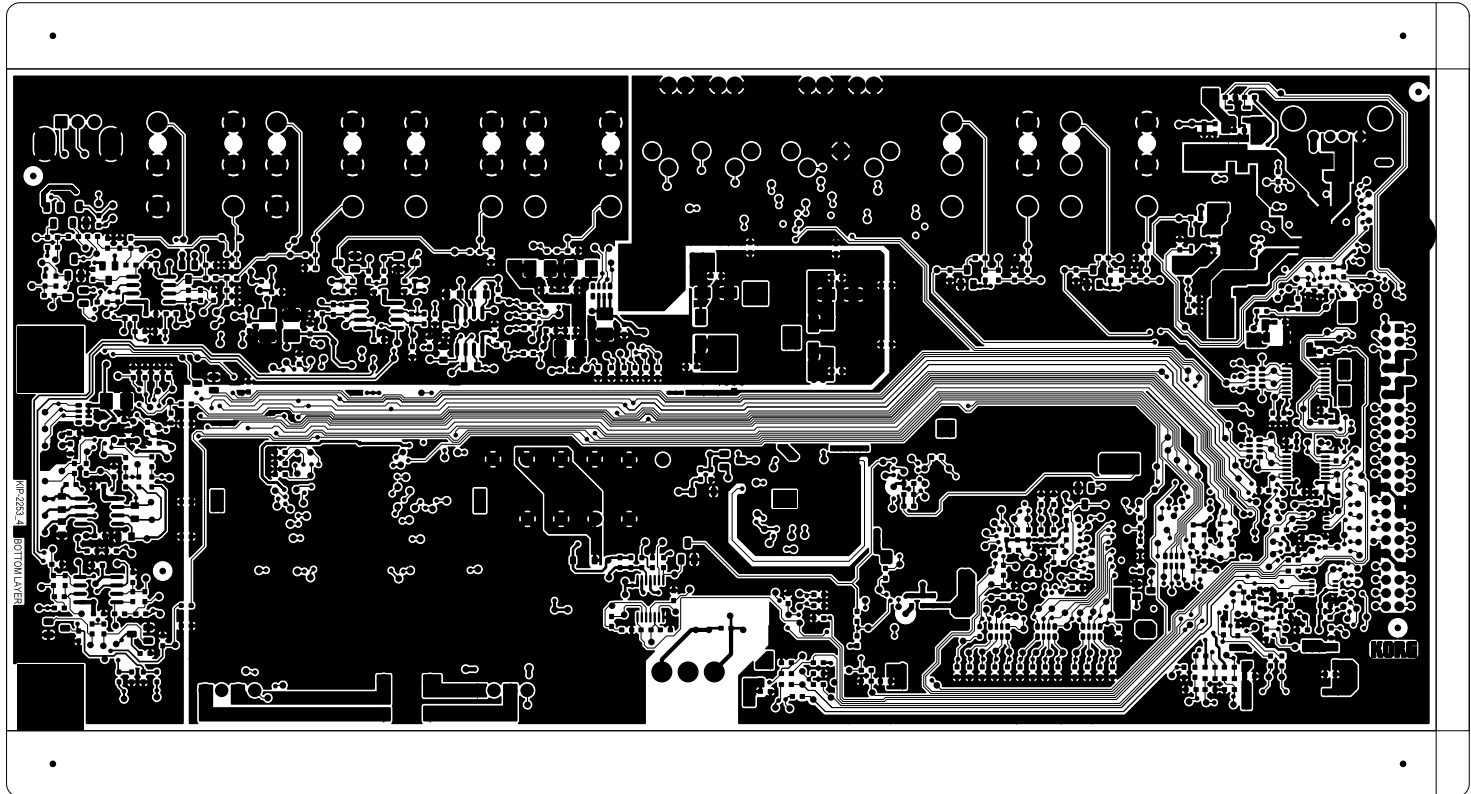
AD DA CONVERTER



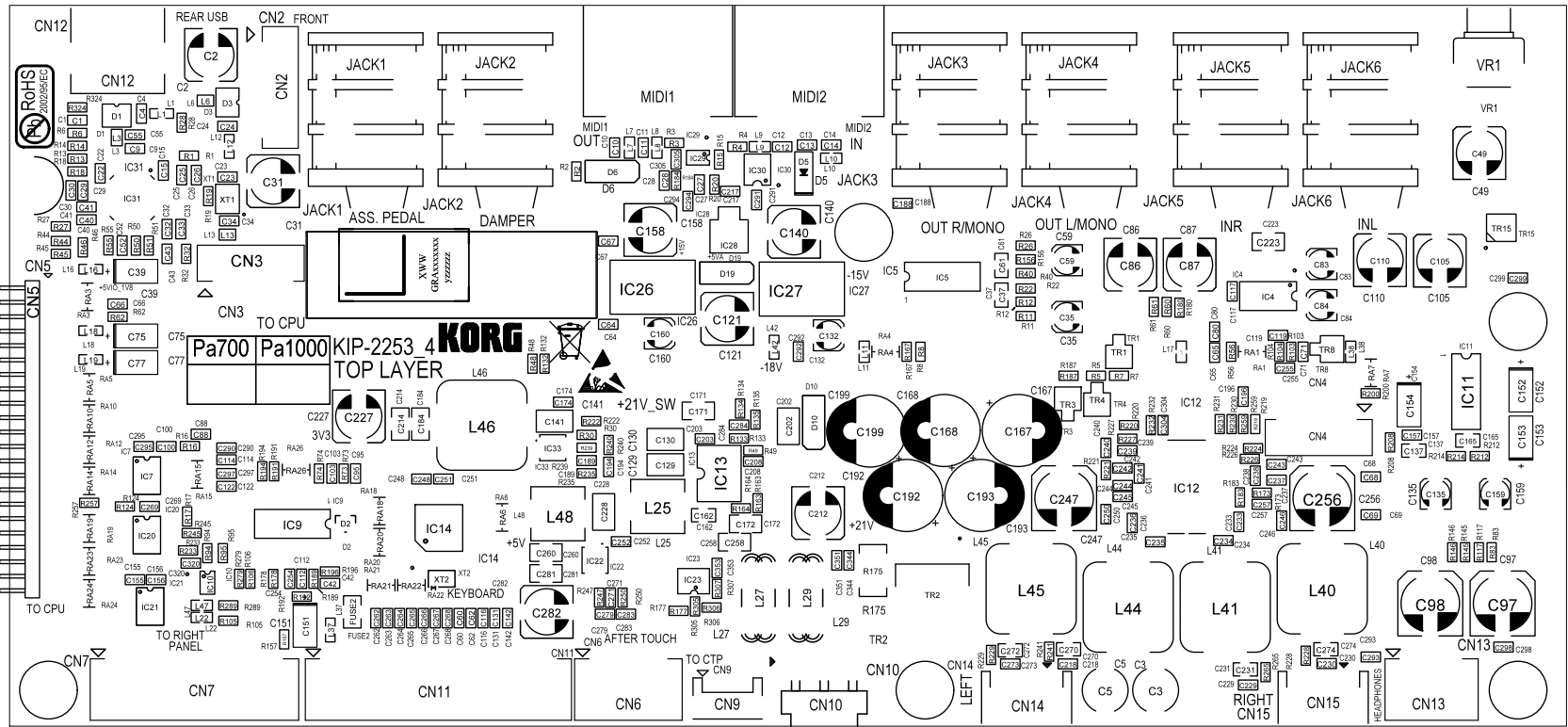
COMPANY:		KORG	
TITLE:		MAIN BAORD GRA0002253	
DRAWN:	DATED:	DRAWING N°:	
M.Palombini	25/08/2017	KID-A00253	
SCALE: 1 : 1	SIZE: A2	SHEET: 3 OF 3	



KID-2253_4 TOP LAYER



KID-2253_4 BOTTOM LAYER

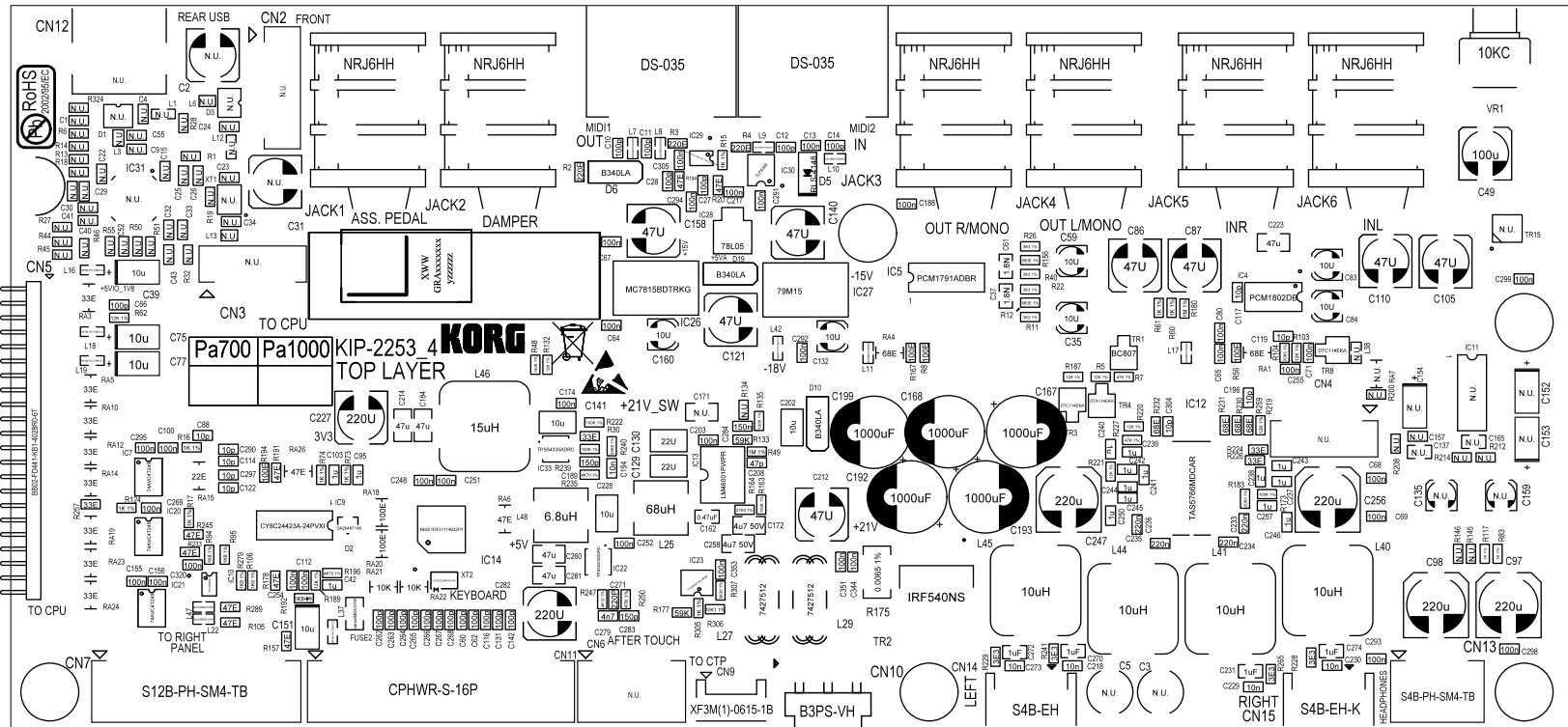


Alternatively, place the label where indicated

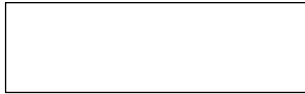


Place the label where indicated





Alternatively, place the label where indicated



Place the label where indicated

