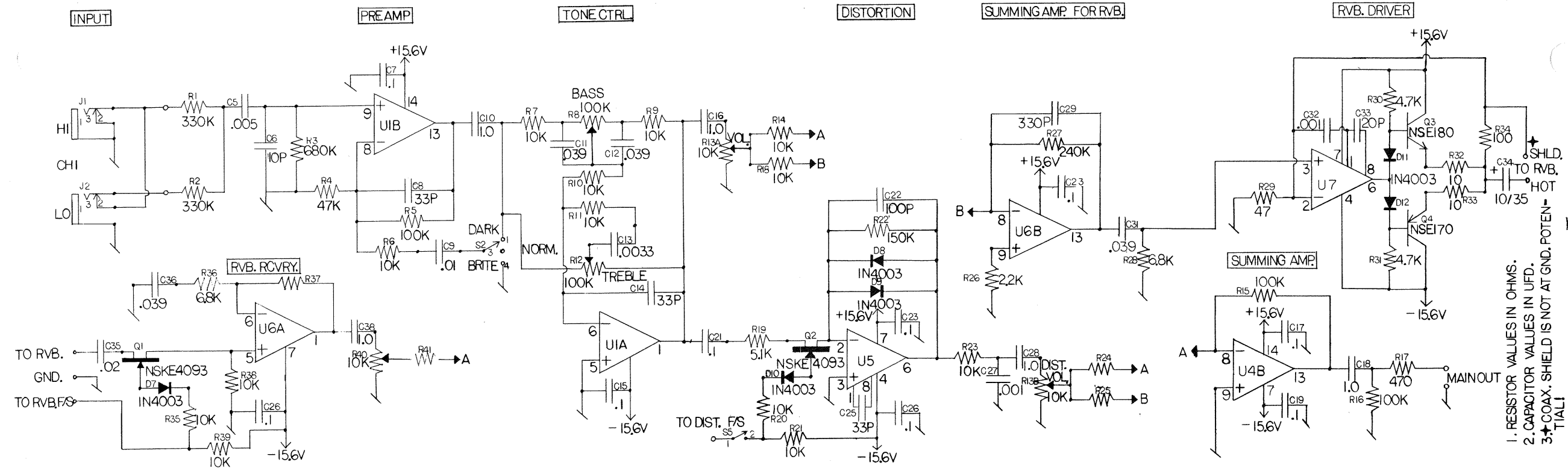
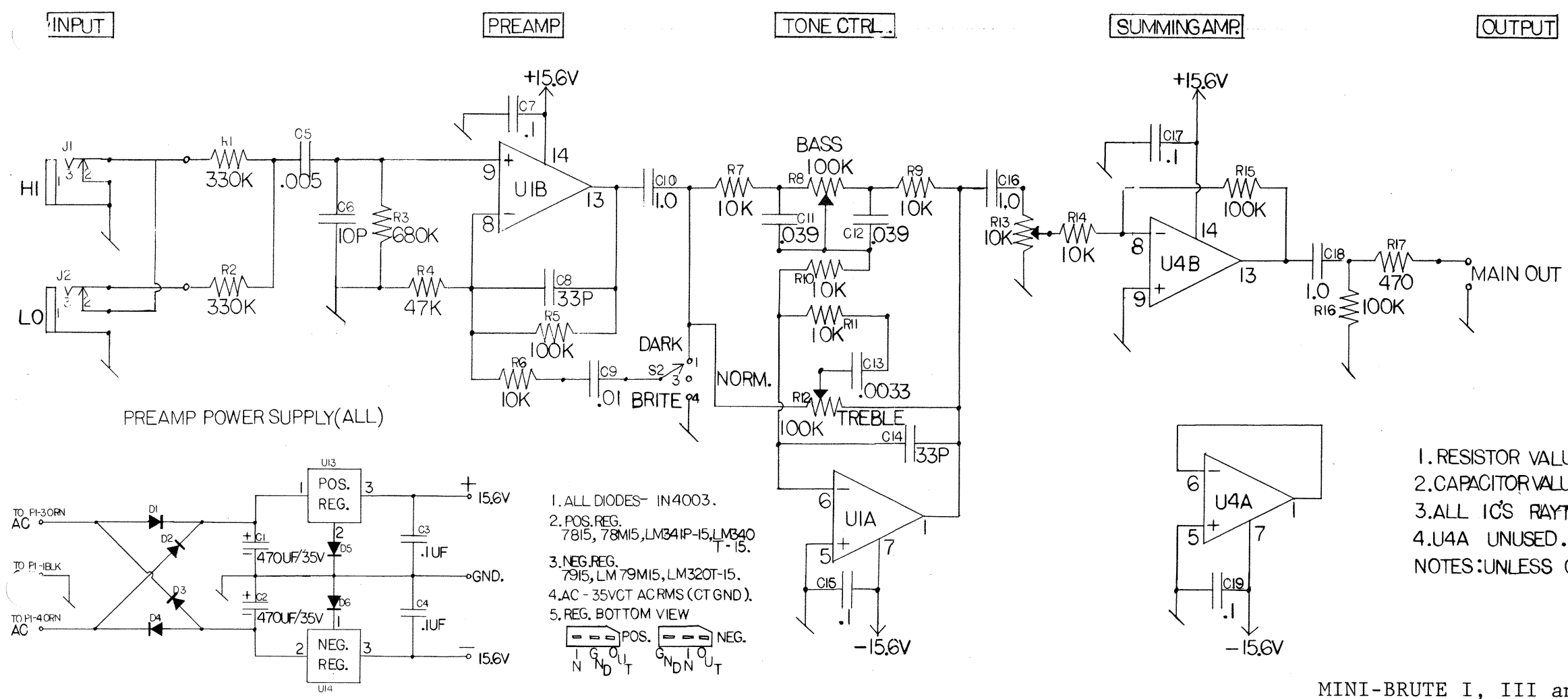


POLYTONE MUSICAL INSTRUMENTS, INC.
Preamplifiers: 'Brute' Series



1. RESISTOR VALUES IN OHMS.
2. CAPACITOR VALUES IN UFD.
3. COAX. SHIELD IS NOT AT GND. POTENTIAL
4. NSKE 4093 REPLACED BY J113

MINI-BRUTES II, IV and BABY-BRUTE



1. ALL DIODES- IN4003.
2. POS. REG. 7815, 78M15, LM341P-15, LM340T-15.
3. NEG. REG. 7915, LM 79M15, LM320T-15.
4. AC - 35VCT AC RMS (CT GND).
5. REG. BOTTOM VIEW

1. RESISTOR VALUES IN OHMS.
 2. CAPACITOR VALUES IN UFD.
 3. ALL IC'S RAYTHEON RC4739
 4. U4A UNUSED.
- NOTES: UNLESS OTHERWISE SPECIFIED

MINI-BRUTE I, III and TEENY-BRUTE