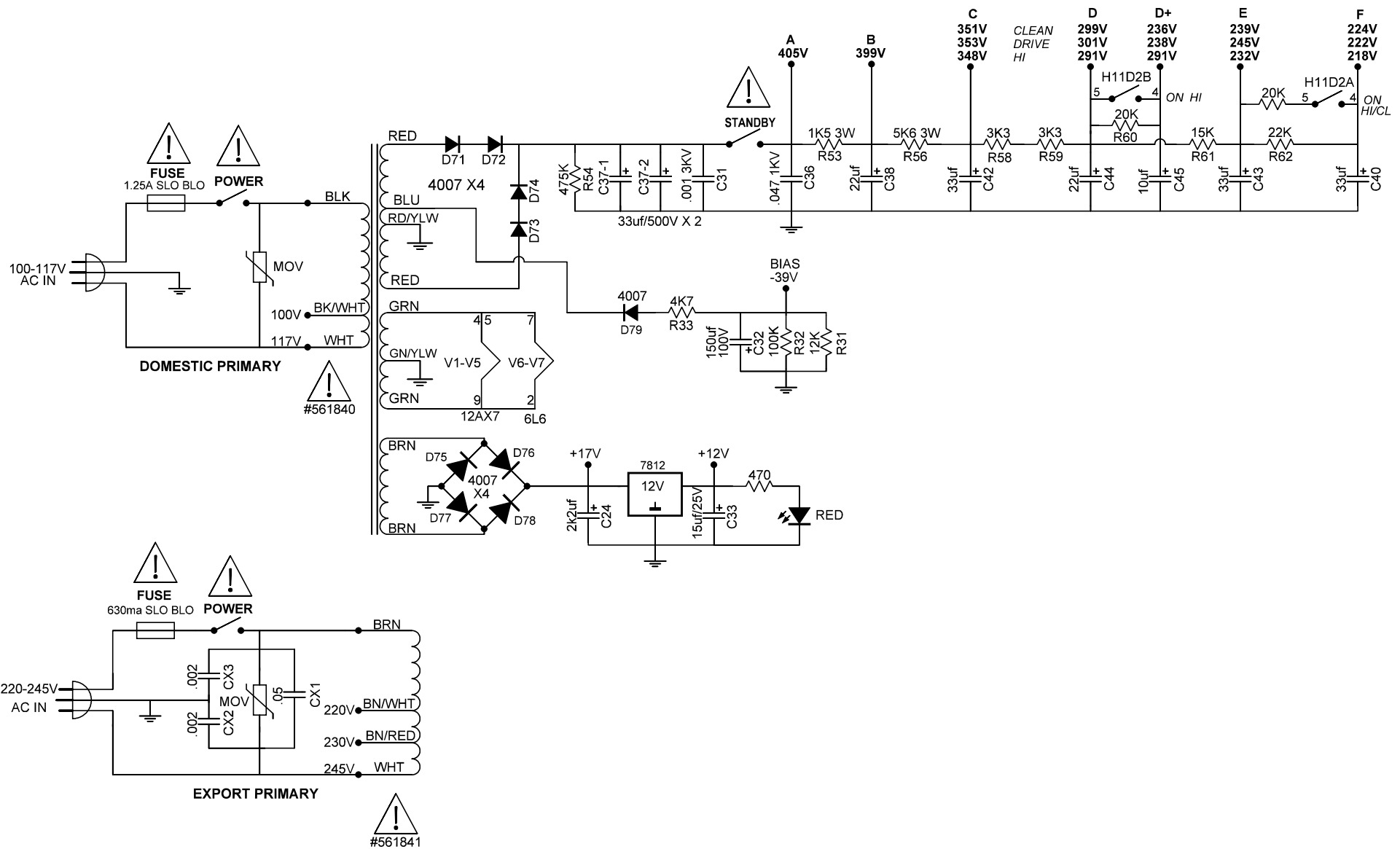


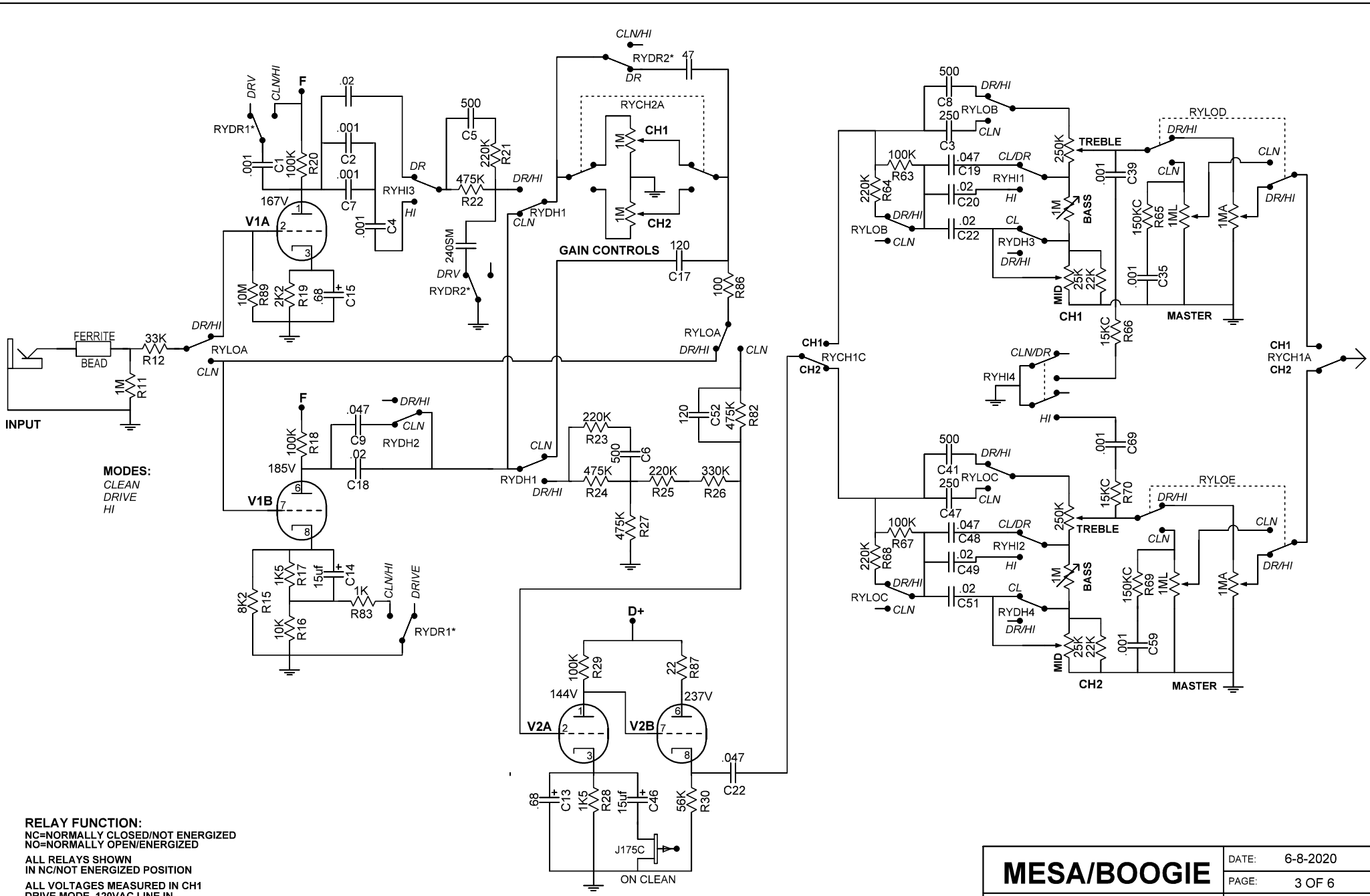
RELAY FUNCTION:  
 NC=NORMALLY CLOSED/NOT ENERGIZED  
 NO=NORMALLY OPEN/ENERGIZED  
 ALL RELAYS SHOWN  
 IN NC/NOT ENERGIZED POSITION

<b>MESA/BOOGIE</b>	DATE: 6-8-2020
	PAGE: 1 OF 6
FILLMORE 25	DRAWN BY: JOHN M.
BLOCK DIAGRAM	BOARD REV: REV D
COPYRIGHT 2018 MESA BOOGIE, LTD.	FILE NAME:



**RELAY FUNCTION:**  
 NC=NORMALLY CLOSED/NOT ENERGIZED  
 NO=NORMALLY OPEN/ENERGIZED  
 ALL RELAYS SHOWN  
 IN NC/NOT ENERGIZED POSITION  
 ALL VOLTAGES MEASURED IN CH1  
 DRIVE MODE, 120VAC LINE IN  
 EXCEPT AS NOTED  
 ALL DIODES 1N4448  
 EXCEPT AS NOTED

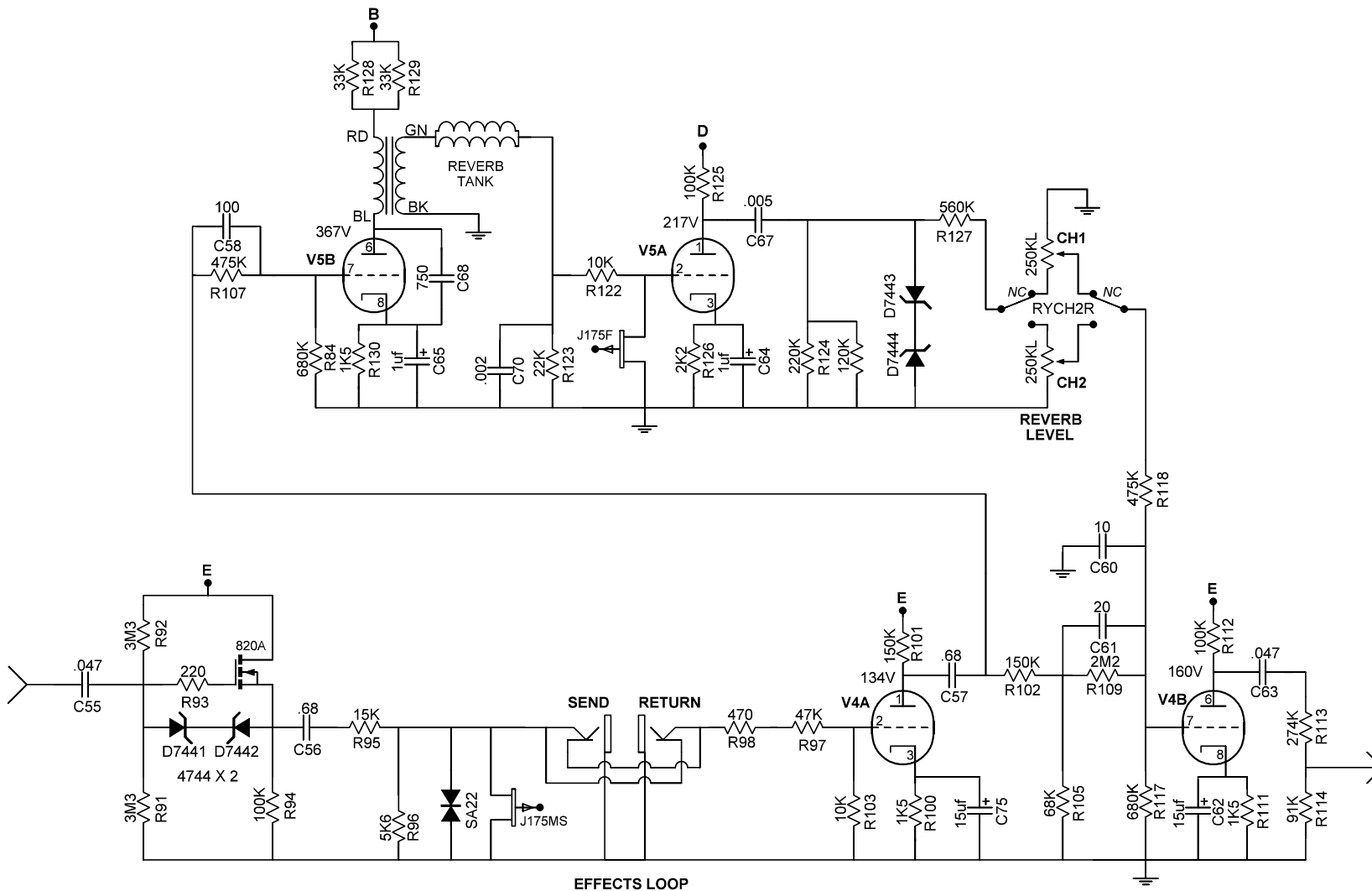
<b>MESA/BOOGIE</b>	DATE: 6-8-2020
	PAGE: 2 OF 6
FILLMORE 25	DRAWN BY: JOHN M.
POWER SUPPLIES	BOARD REV:
COPYRIGHT 2018 MESA BOOGIE, LTD.	FILE NAME:



**MODES:**  
CLEAN  
DRIVE  
HI

**RELAY FUNCTION:**  
NC=NORMALLY CLOSED/NOT ENERGIZED  
NO=NORMALLY OPEN/ENERGIZED  
ALL RELAYS SHOWN  
IN NC/NOT ENERGIZED POSITION  
ALL VOLTAGES MEASURED IN CH1  
DRIVE MODE, 120VAC LINE IN  
EXCEPT AS NOTED  
ALL DIODES 1N4448  
EXCEPT AS NOTED

<b>MESA/BOOGIE</b>	DATE: 6-8-2020
	PAGE: 3 OF 6
<b>FILLMORE 25</b>	DRAWN BY: JOHN M.
<b>PREAMP</b>	BOARD REV:
COPYRIGHT 2018 MESA BOOGIE, LTD.	FILE NAME:



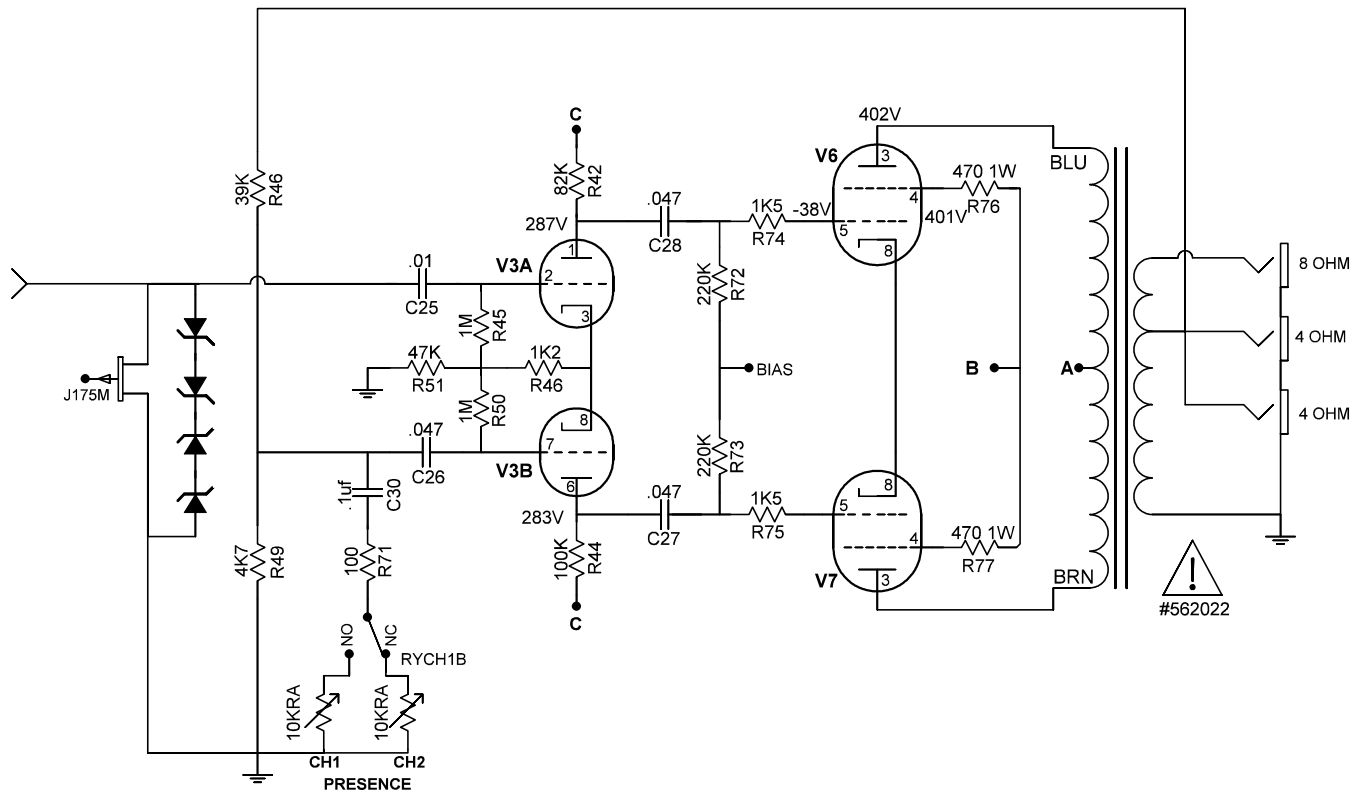
**RELAY FUNCTION:**  
 NC=NORMALLY CLOSED/NOT ENERGIZED  
 NO=NORMALLY OPEN/ENERGIZED

ALL RELAYS SHOWN  
 IN NC/NOT ENERGIZED POSITION

ALL VOLTAGES MEASURED IN CH1  
 DRIVE MODE, 120VAC LINE IN  
 EXCEPT AS NOTED

ALL DIODES 1N4448  
 EXCEPT AS NOTED

<b>MESA/BOOGIE</b>	DATE: 6-8-2020
	PAGE: 4 OF 6
FILLMORE 25	DRAWN BY: JOHN M.
LOOP/REVERB	BOARD REV:
COPYRIGHT 2018 MESA BOOGIE, LTD.	FILE NAME:

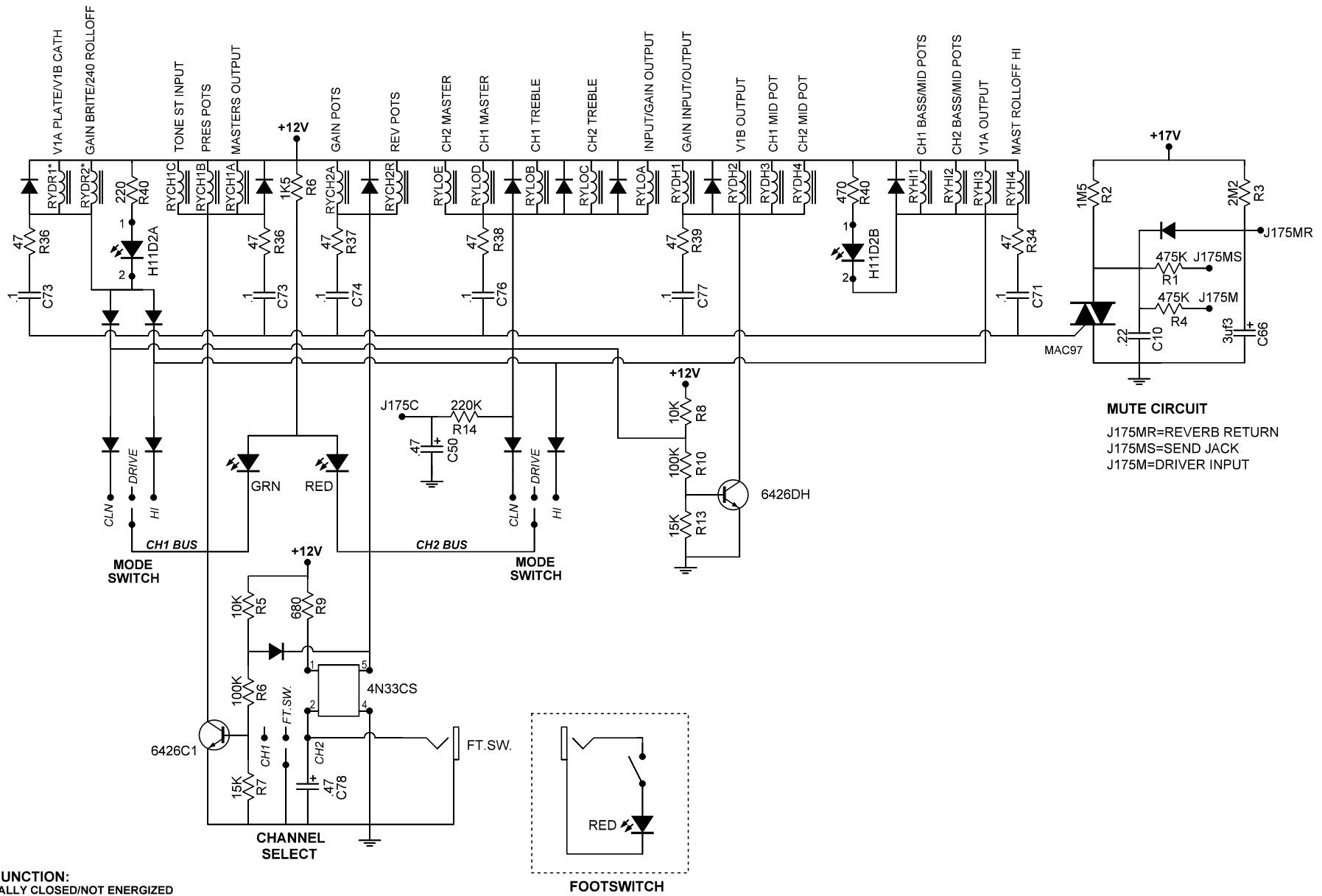


**RELAY FUNCTION:**  
 NC=NORMALLY CLOSED/NOT ENERGIZED  
 NO=NORMALLY OPEN/ENERGIZED

ALL RELAYS SHOWN  
 IN NC/NOT ENERGIZED POSITION  
 ALL VOLTAGES MEASURED IN CH1  
 DRIVE MODE, 120VAC LINE IN  
 EXCEPT AS NOTED

ALL DIODES 1N4448  
 EXCEPT AS NOTED

<b>MESA/BOOGIE</b>	DATE: 6-8-2020
	PAGE: 5 OF 6
FILLMORE 25	DRAWN BY: JOHN M.
POWER AMP	BOARD REV:
COPYRIGHT 2018 MESA BOOGIE, LTD.	FILE NAME:



**MUTE CIRCUIT**

J175MR=REVERB RETURN  
 J175MS=SEND JACK  
 J175M=DRIVER INPUT

**RELAY FUNCTION:**  
 NC=NORMALLY CLOSED/NOT ENERGIZED  
 NO=NORMALLY OPEN/ENERGIZED  
 ALL RELAYS SHOWN  
 IN NC/NOT ENERGIZED POSITION  
 ALL VOLTAGES MEASURED IN CH1  
 DRIVE MODE, 120VAC LINE IN  
 EXCEPT AS NOTED  
 ALL DIODES 1N4448  
 EXCEPT AS NOTED

<b>MESA/BOOGIE</b>	DATE: 6-8-2020
	PAGE: 6 OF 6
FILLMORE 25	DRAWN BY: JOHN M.
SWITCHING	BOARD REV:
COPYRIGHT 2018 MESA BOOGIE, LTD.	FILE NAME: