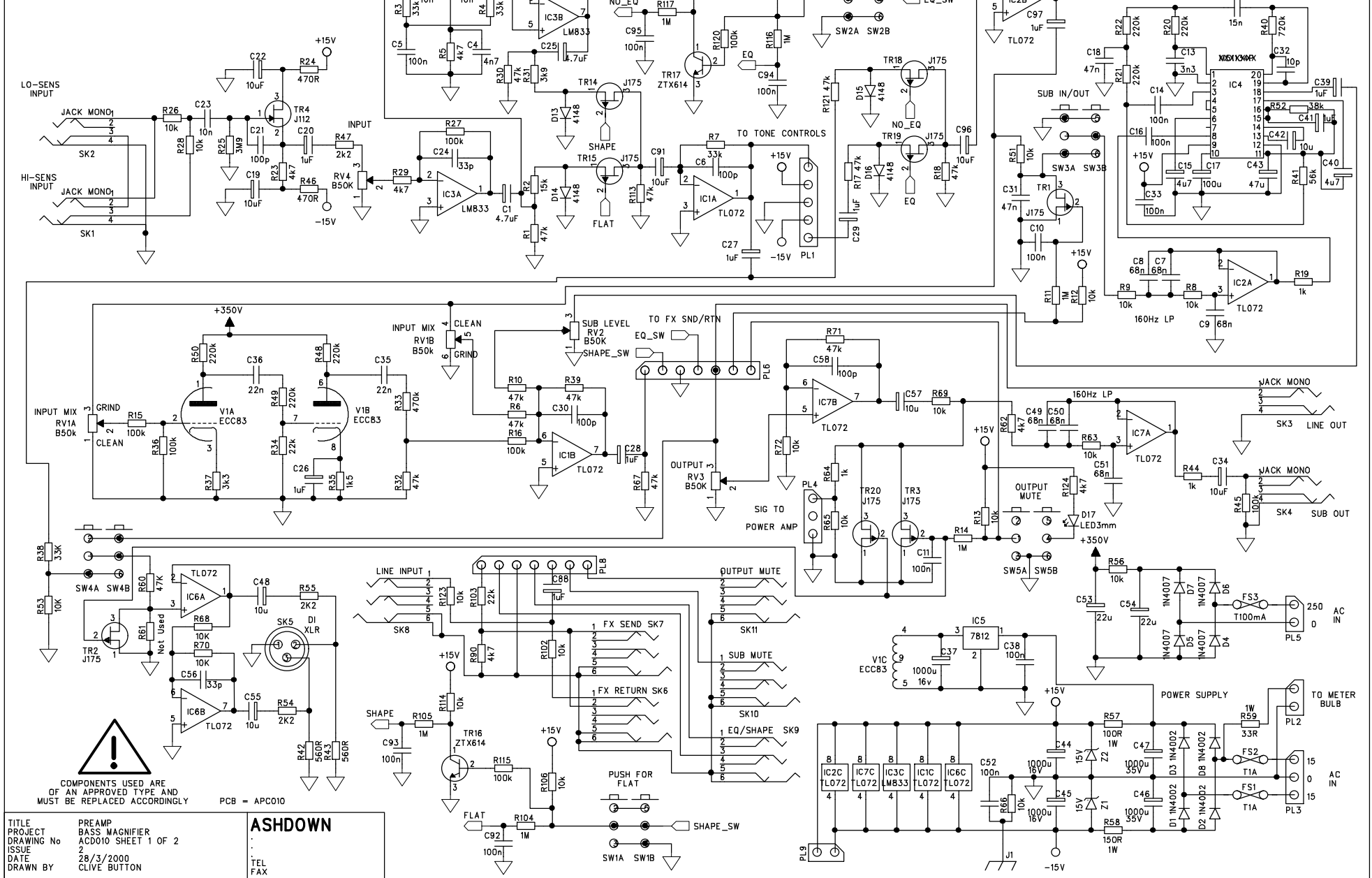


ISSUE CHANGE NOTE DATE	ISSUE CHANGE NOTE DATE	ISSUE CHANGE NOTE DATE
ISSUE CHANGE NOTE DATE	ISSUE CHANGE NOTE DATE	ISSUE CHANGE NOTE DATE



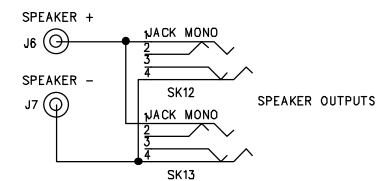
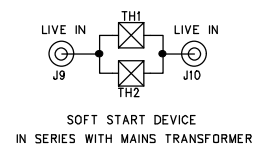
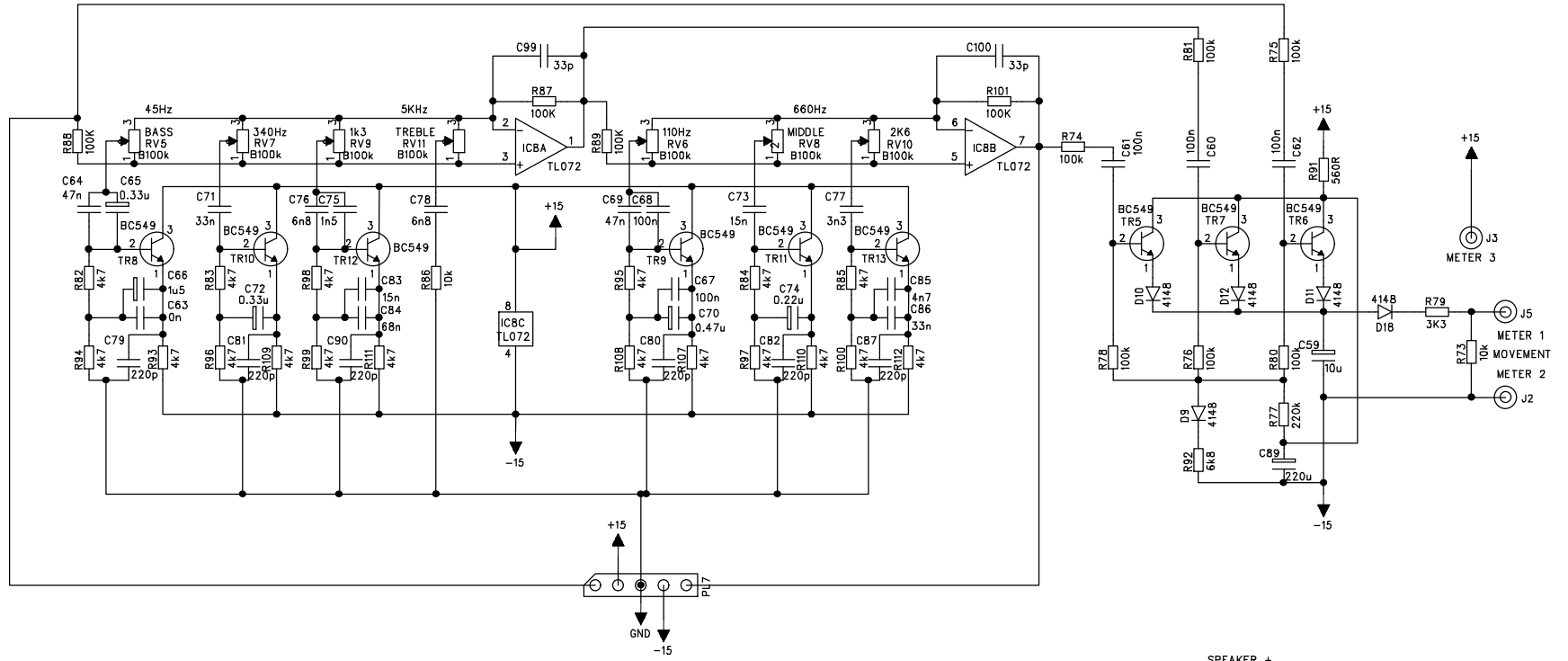
COMPONENTS USED ARE OF AN APPROVED TYPE AND MUST BE REPLACED ACCORDINGLY

PCB = APC010

TITLE PROJECT PREAMP BASS MAGNIFIER  
 DRAWING No. ACDD010 SHEET 1 OF 2  
 ISSUE DATE 28/3/2000  
 DRAWN BY CLIVE BUTTON

**ASHDOWN**  
 TEL FAX

ISSUE CHANGE DATE	ISSUE CHANGE NOTE	ISSUE CHANGE DATE	ISSUE CHANGE NOTE
ISSUE CHANGE DATE	ISSUE CHANGE NOTE	ISSUE CHANGE DATE	ISSUE CHANGE NOTE

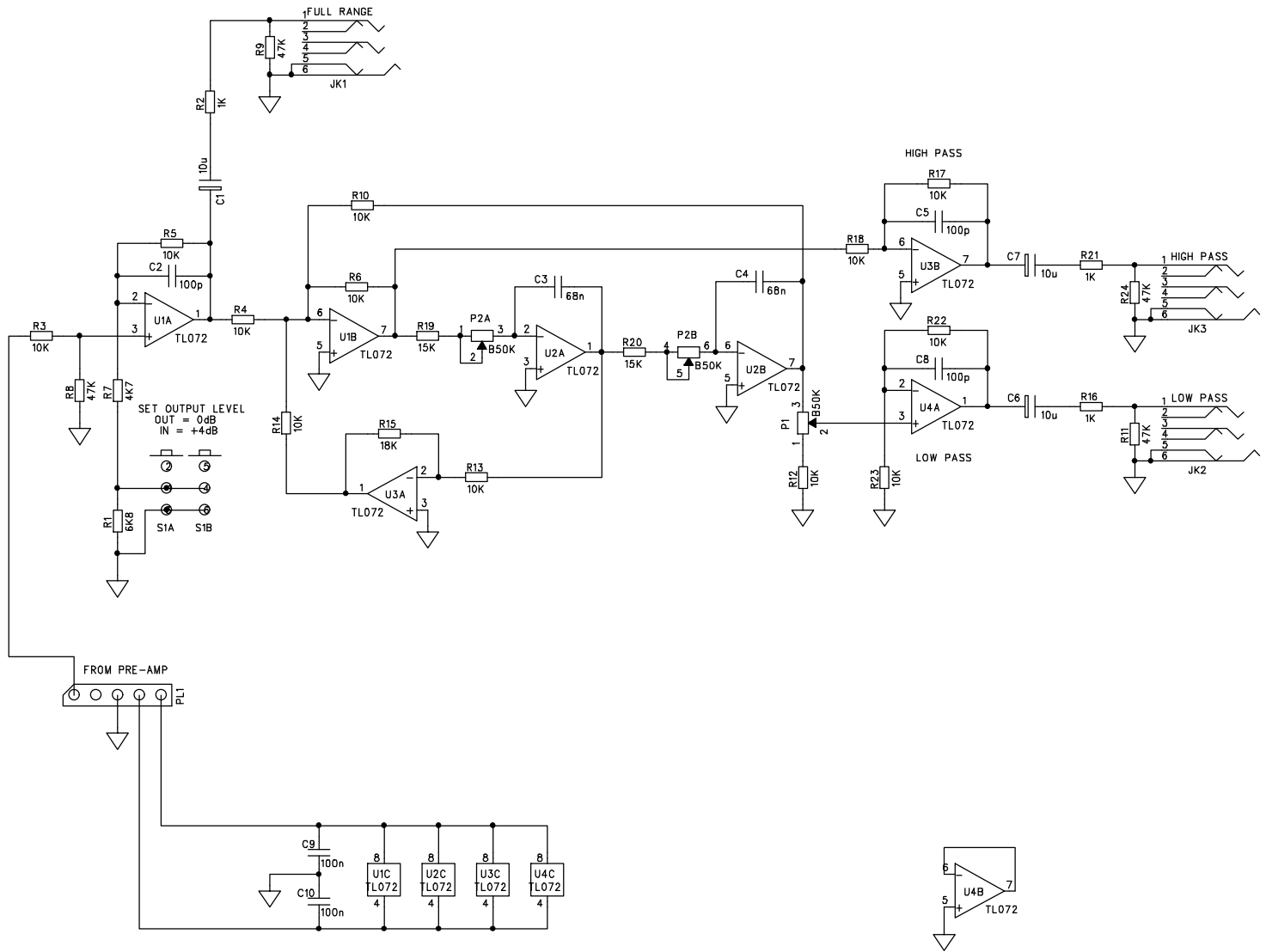


PCB - APC010		<b>ASHDOWN</b>
TITLE	ASHDOWN	
PROJECT	ASHDOWN	ENGLAND
DRAWING No	ACD010 SHEET 2 OF 2	TEL
ISSUE	2	FAX
DATE	28/3/2000	
DRAWN BY	CLIVE BUTTON	

**!**

COMPONENTS USED ARE  
OF AN APPROVED TYPE AND  
MUST BE REPLACED ACCORDINGLY

ISSUE CHANGE DATE	NOTE	ISSUE CHANGE DATE	NOTE	ISSUE CHANGE DATE	NOTE



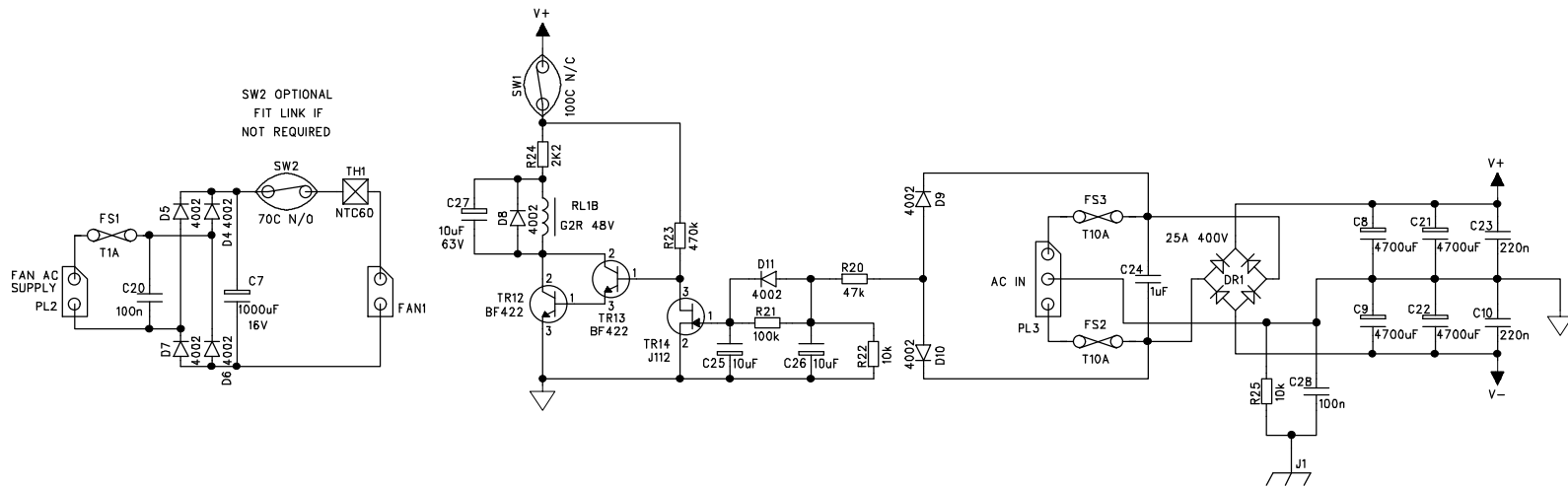
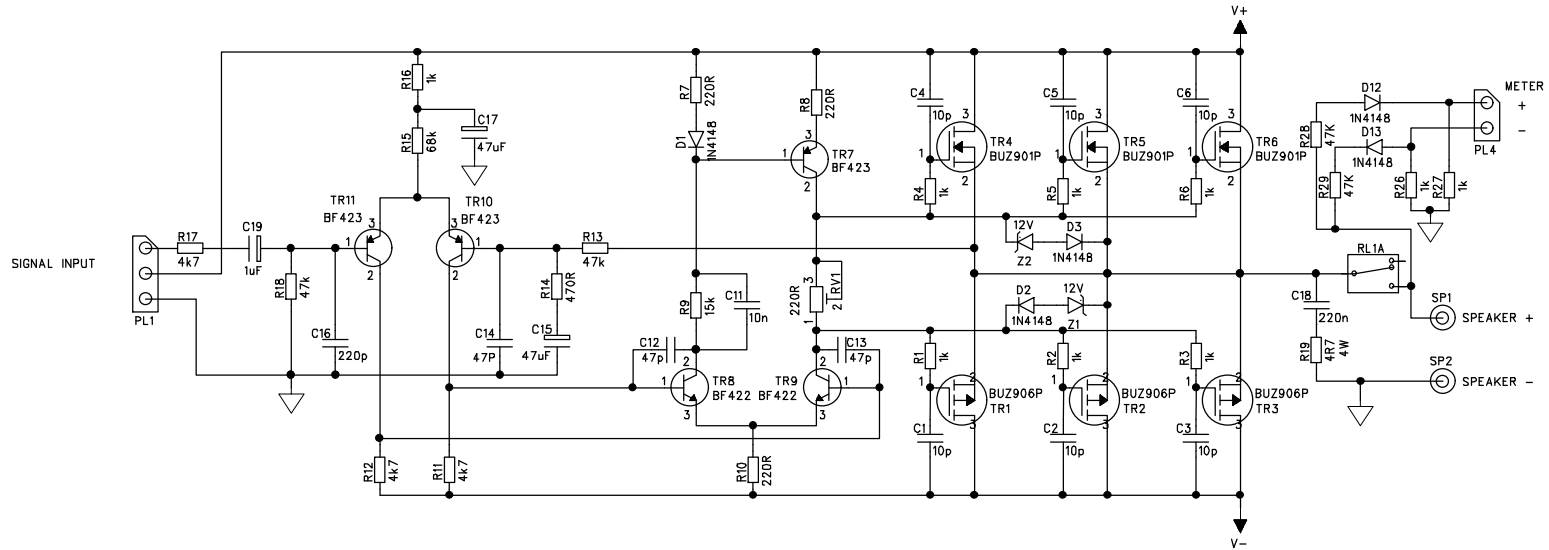
PCB = APC009

TITLE CROSSOVER BOARD  
 PROJECT RACK MAGNIFIER PREAMP  
 DRAWING No. ACD009  
 ISSUE 1  
 DATE 13/8/99  
 DRAWN BY CLIVE BUTTON

**ASHDOWN**

TEL (01245) 477010  
 FAX (01245) 477020

ISSUE CHANGE NOTE DATE	ISSUE CHANGE NOTE DATE	ISSUE CHANGE NOTE DATE
ISSUE CHANGE NOTE DATE	ISSUE CHANGE NOTE DATE	ISSUE CHANGE NOTE DATE



COMPONENTS SHOWN FOR 400/500 WATT UNIT  
FOR 300 WATT UNIT LEAVE OFF:- TR3,TR6,C21,C22



COMPONENTS USED ARE OF AN APPROVED TYPE AND MUST BE REPLACED ACCORDINGLY

PCB - APC0001

TITLE ABM OUTPUT BOARD  
PROJECT BASS MAGNIFIER  
DRAWING No ACD001  
ISSUE 3  
DATE 4/10/99  
DRAWN BY CLIVE BUTTON

**ASHDOWN**  
ENGLAND  
TEL  
FAX