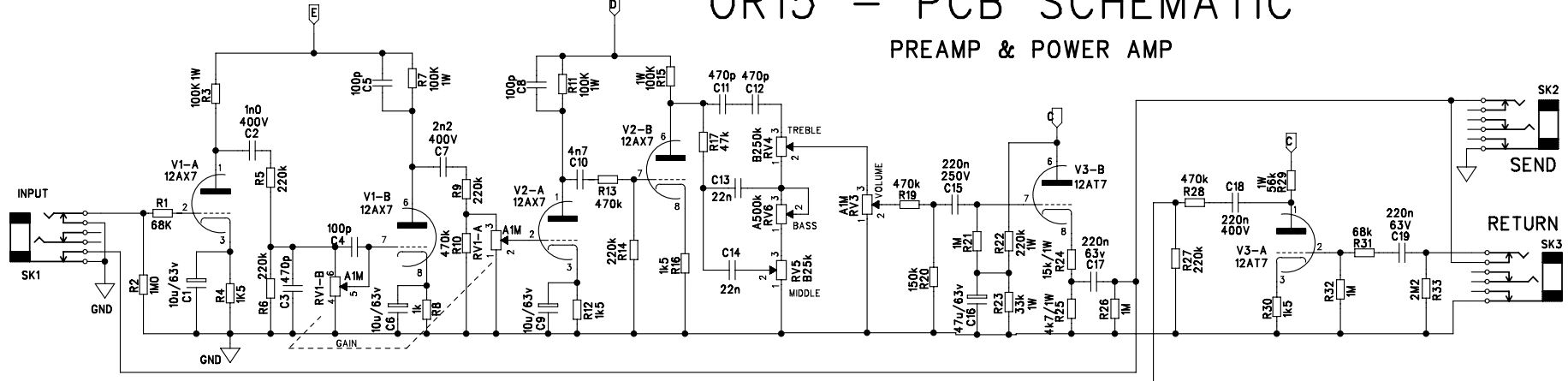


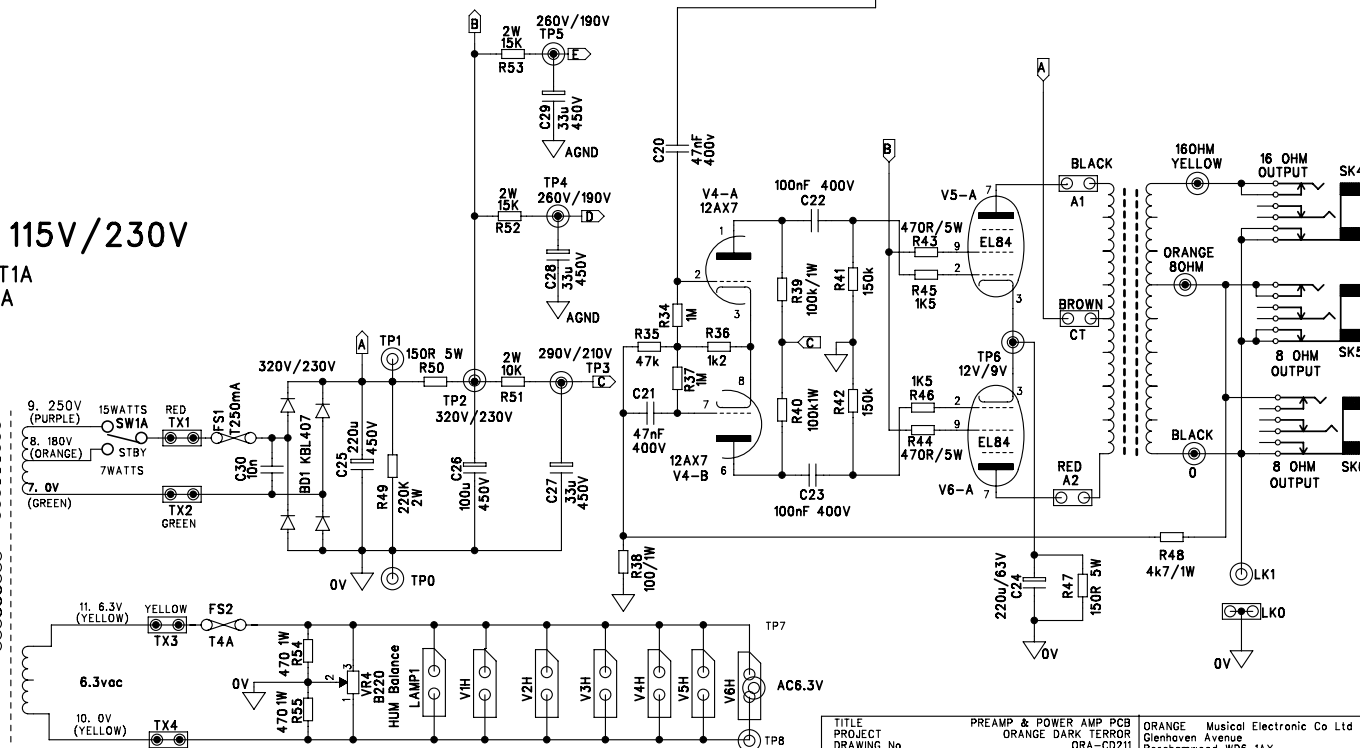
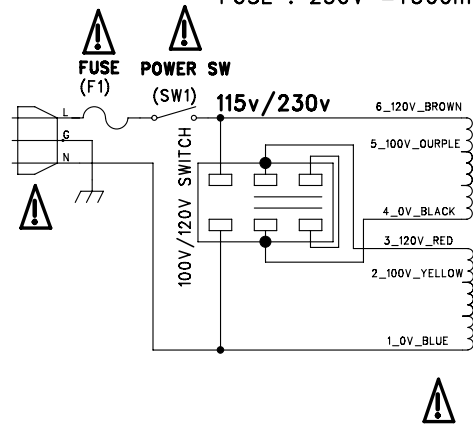
OR15 - PCB SCHEMATIC

PREAMP & POWER AMP



MAIN AC VOLTAGE AC 115V/230V

FUSE : 100V/115V = T1A
FUSE : 230V = T500mA



SUPPLIES, HEATERS

TITLE	PREAMP & POWER AMP PCB	ORANGE Musical Electronic Co Ltd
PROJECT	ORANGE DARK TERROR	Glenhove Avenue
DRAWING No	ORA-CD211	Borehamwood WD6 1AY
ISSUE	1	Great Britain
DATE	12 June 2008	Tel: +44 (0) 20 8905 2828
SCHEMATIC/PCB DRAWN BY	Paul Stevens	Fax: +44 (0) 20 8905 2868
ORIGINAL CIRCUIT DESIGN BY	Adrian Emsley	info@orangeamps.com