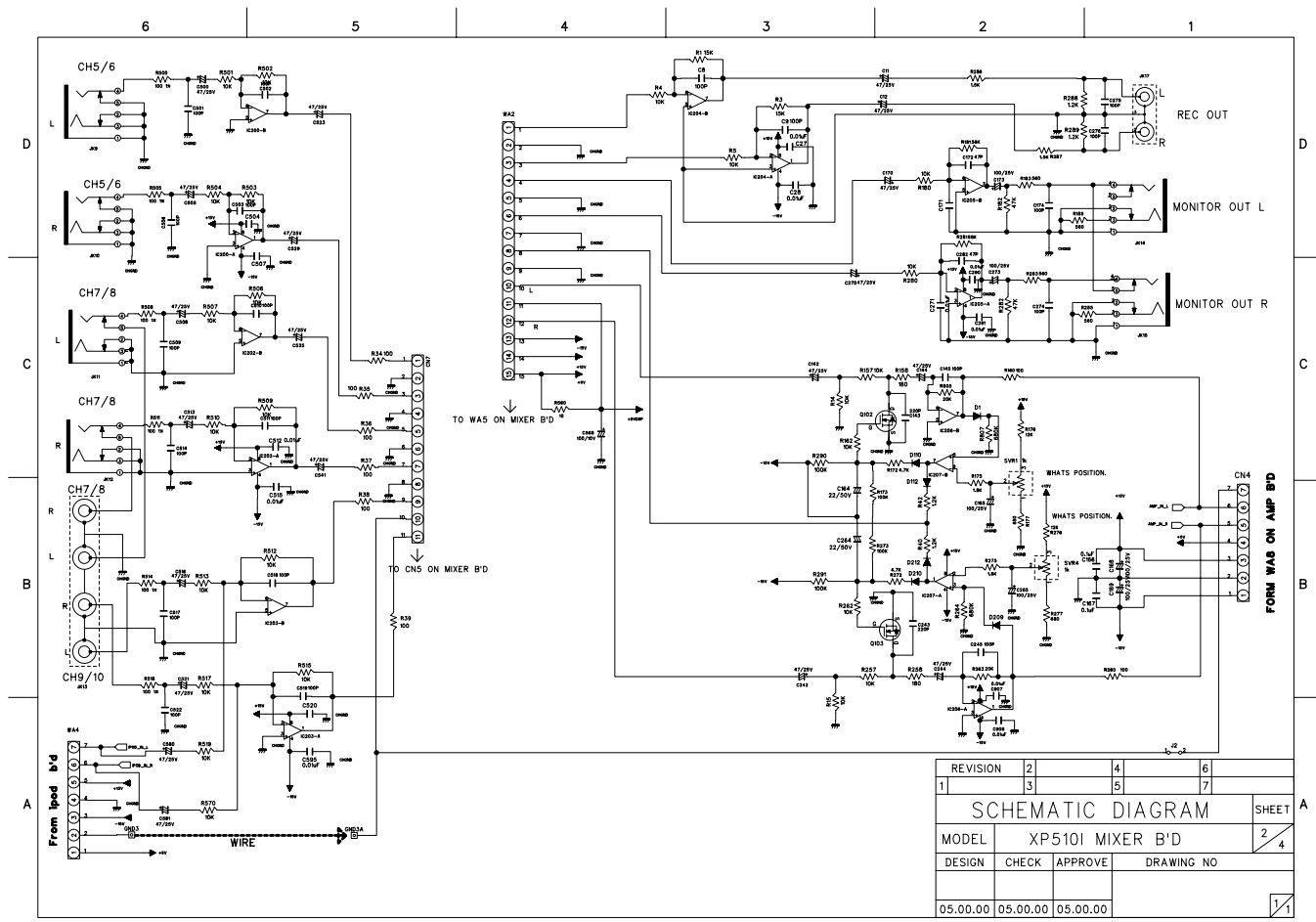
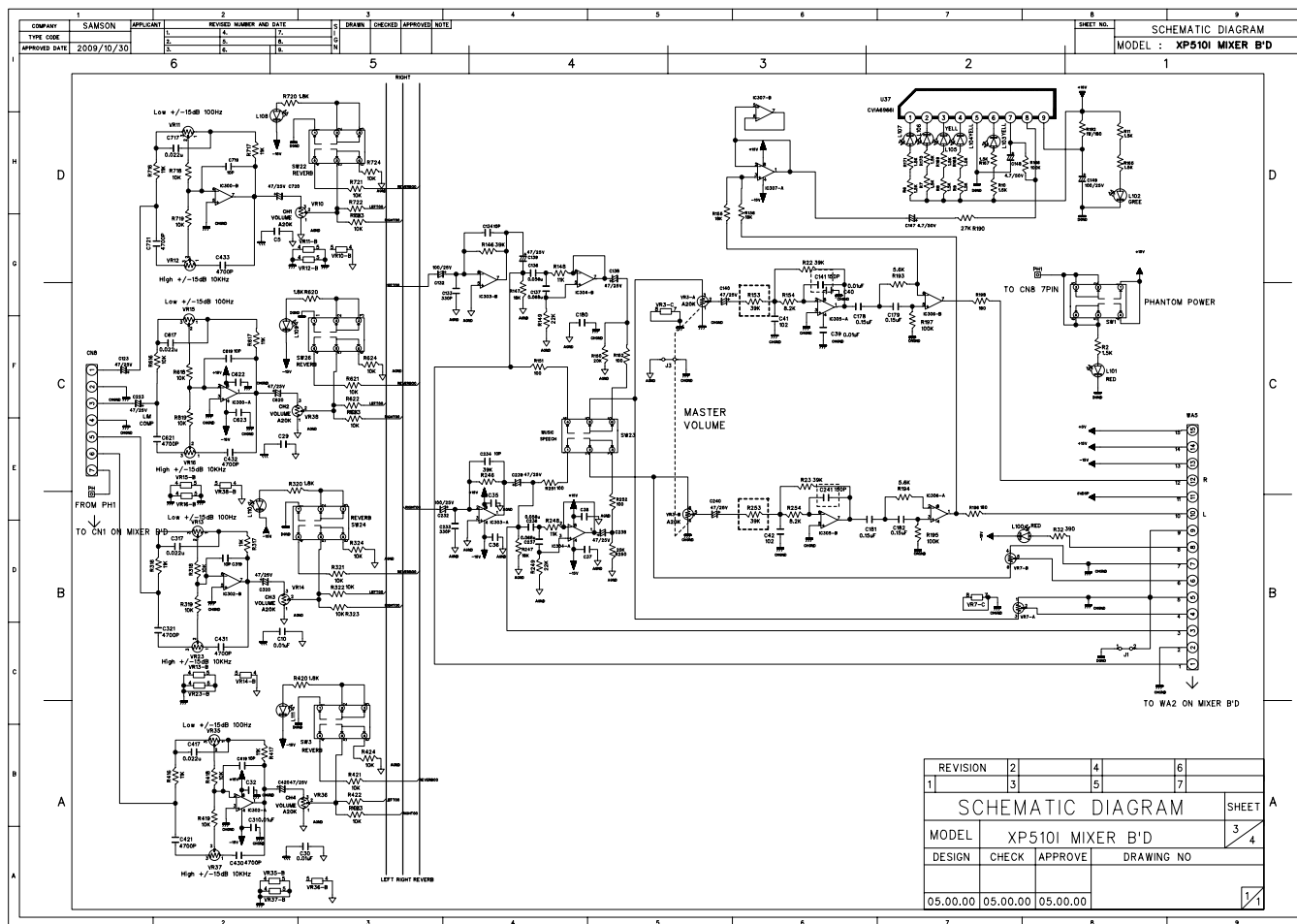


REVISION	2	4	6
1	3	5	7
SCHEMATIC DIAGRAM			
MODEL	XP510I MIXER B'D		
DESIGN	CHECK	APPROVE	DRAWING NO
05.00.00	05.00.00	05.00.00	

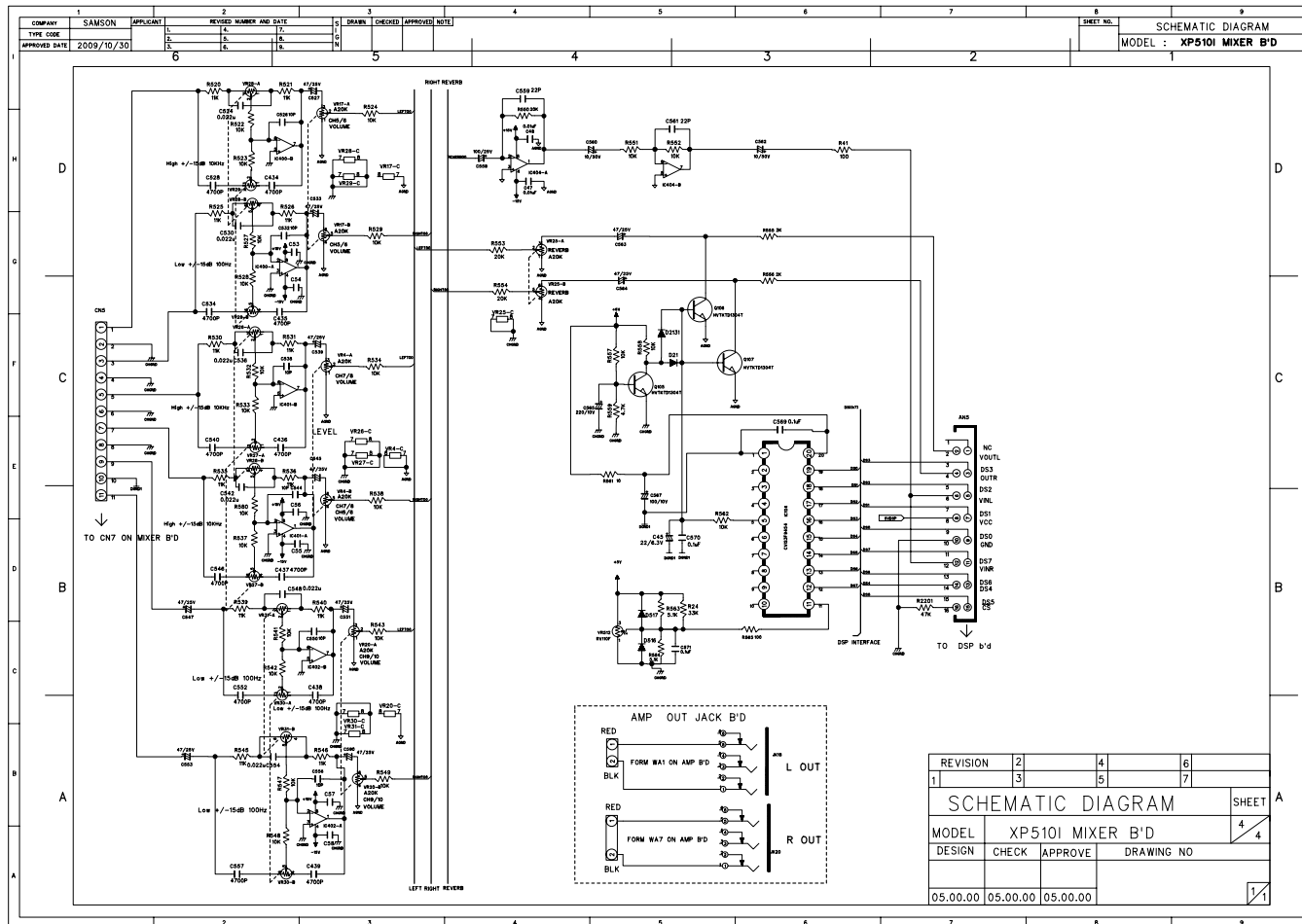


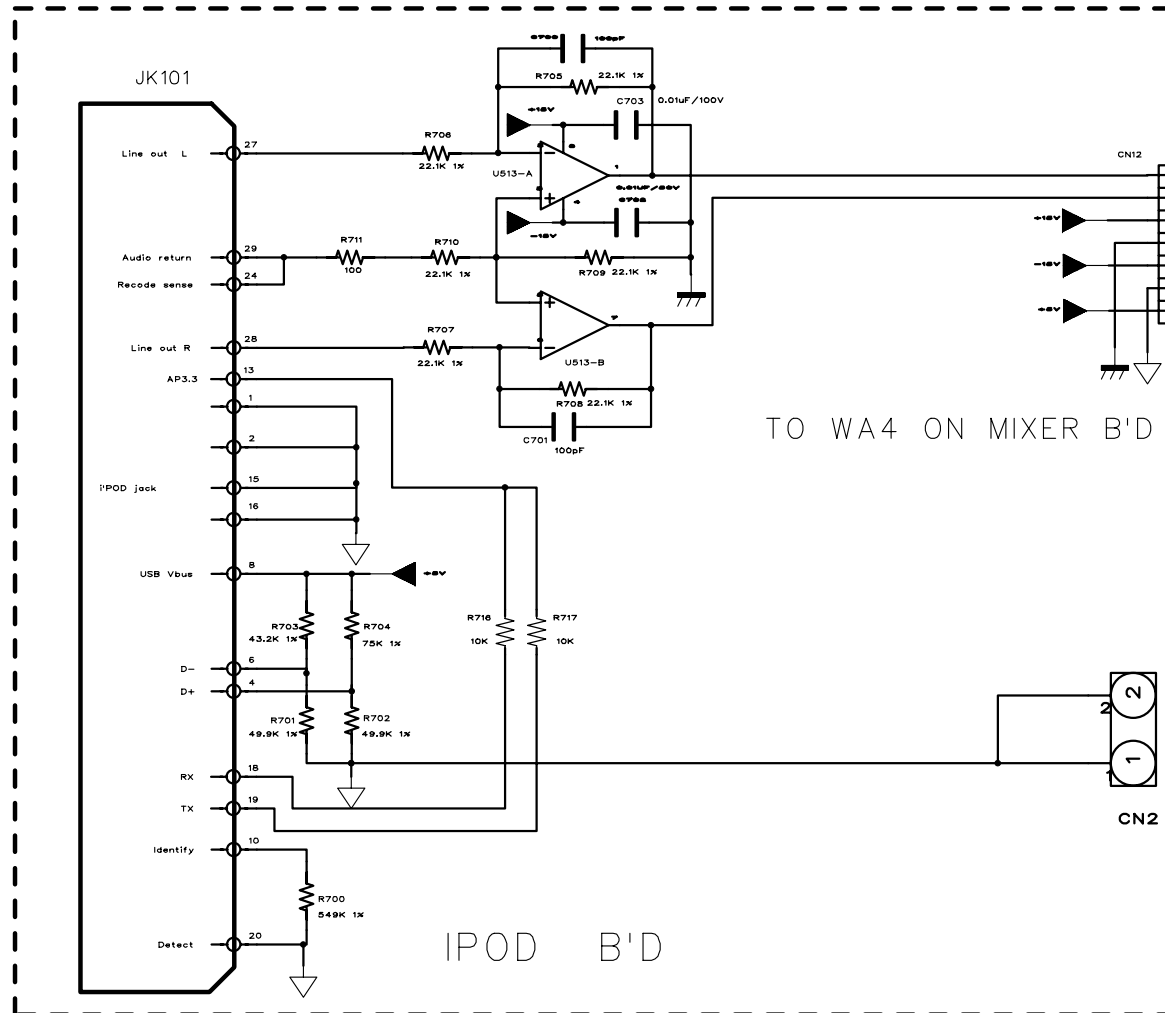
REVISION	2	4	6
1	3	5	7
SCHEMATIC DIAGRAM			
MODEL	XP510I MIXER B'D		
DESIGN	CHECK	APPROVE	DRAWING NO
05.00.00	05.00.00	05.00.00	

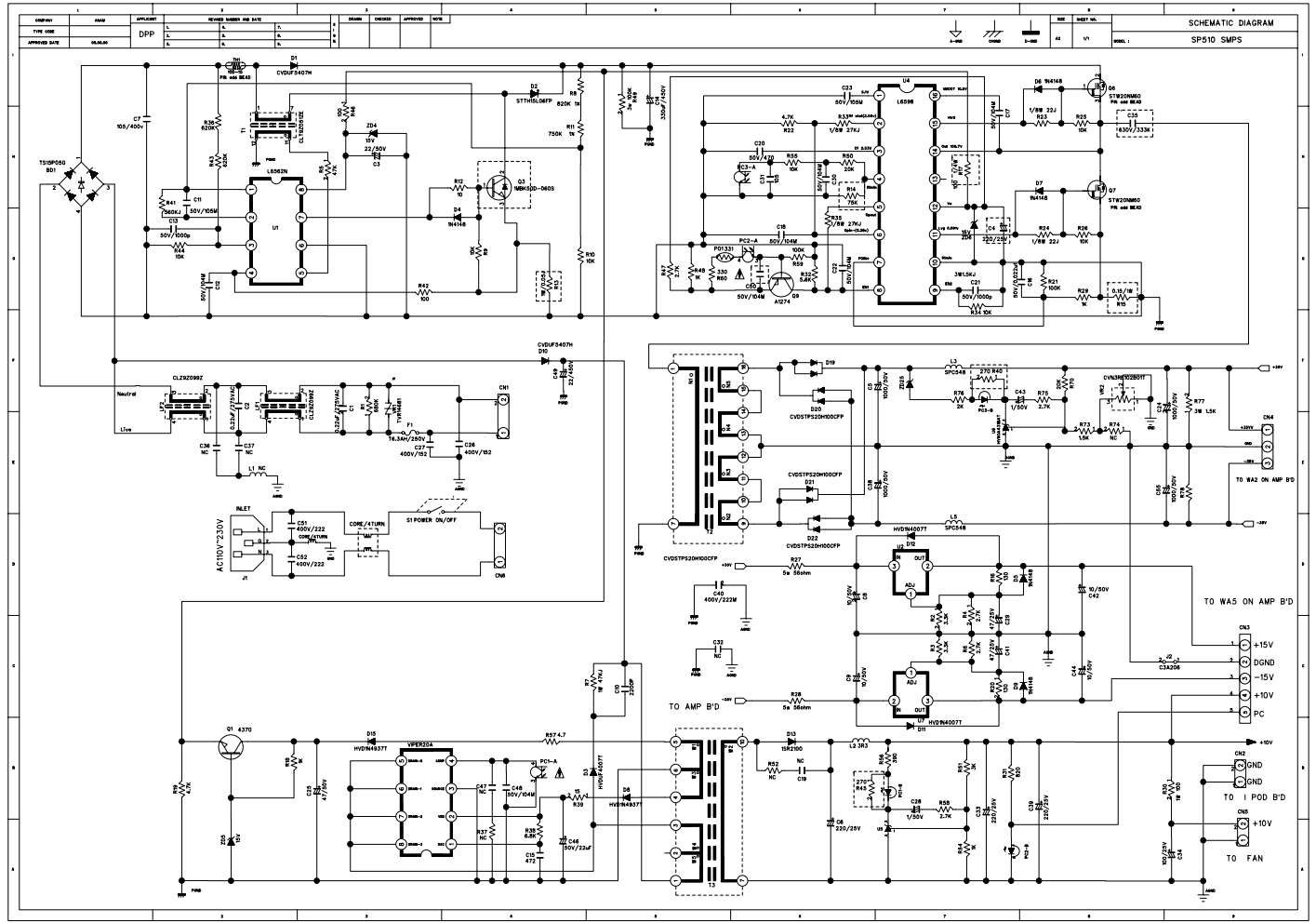
SHEET 2/4



REVISION	2	4	6
1	3	5	7
SCHEMATIC DIAGRAM			
MODEL	XP510I MIXER B'D		SHEET
DESIGN	CHECK	APPROVE	DRAWING NO
05.00.00	05.00.00	05.00.00	1/1







SCHEMATIC DIAGRAM
SP510 SMPS

