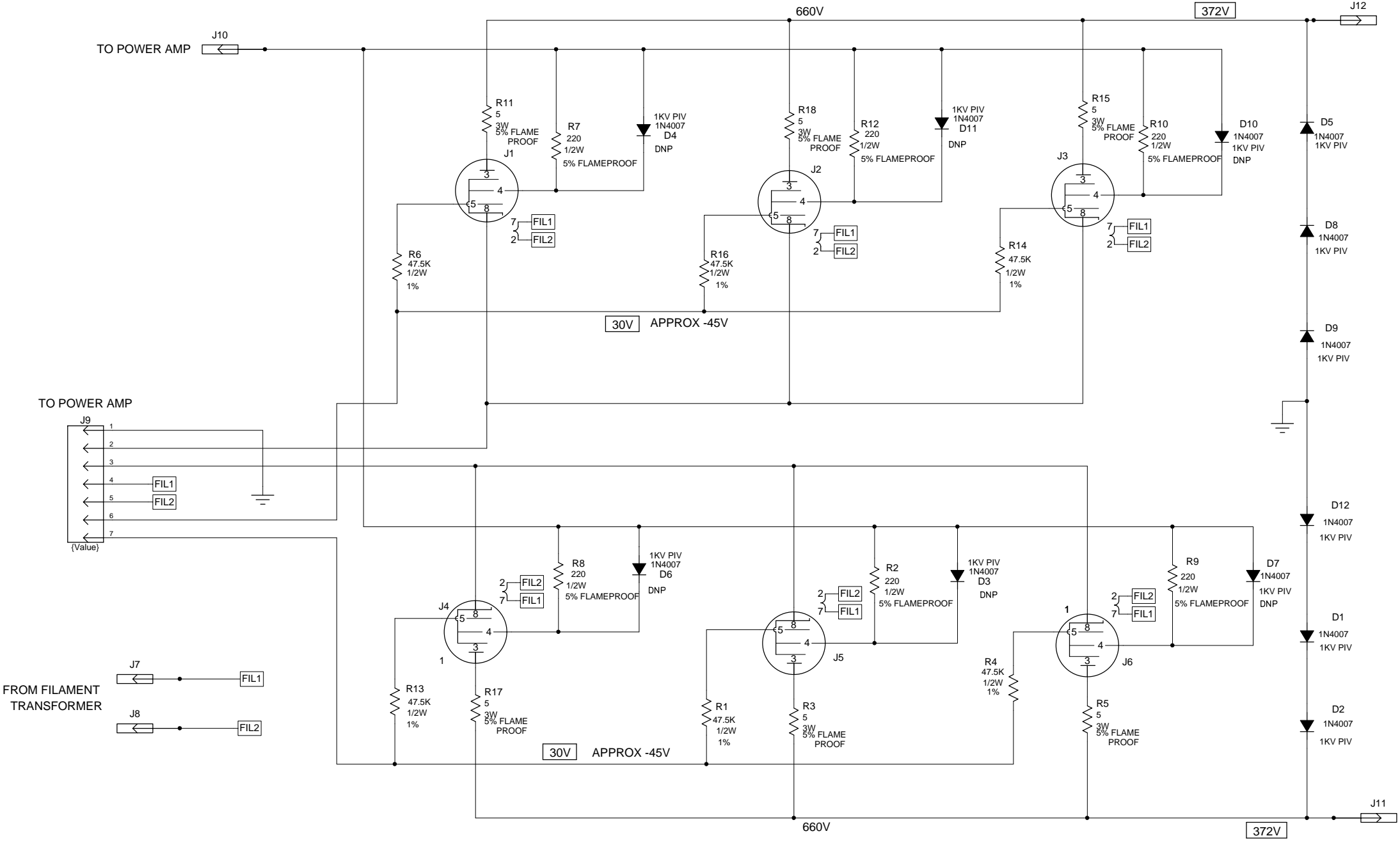


Ampeg SVT-VR

TUBE BOARD
Screen-grid diodes
later omitted.



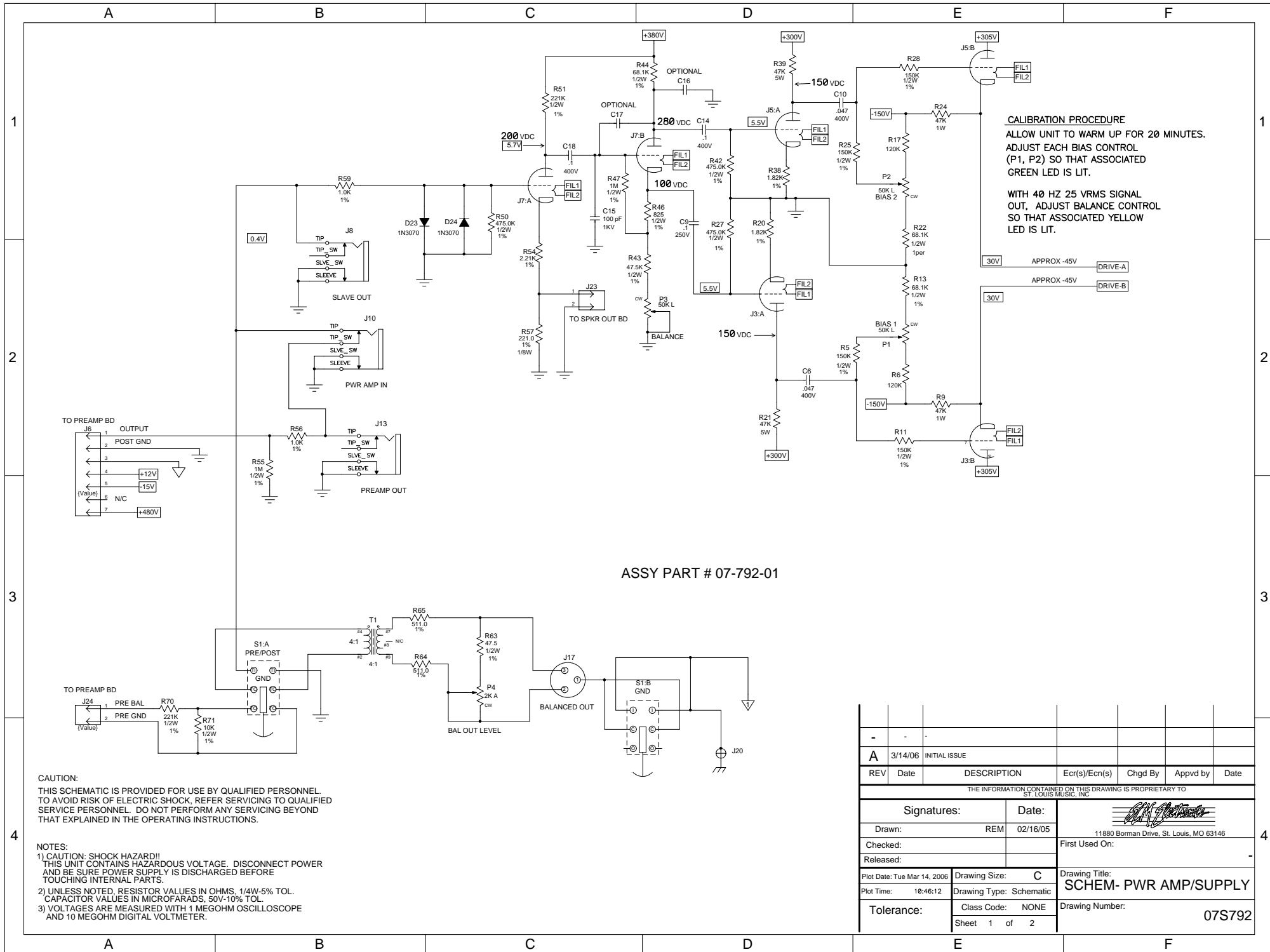
ASSY PART # 07-365-01


NOTE: D, 3, 4, 6, 7, 10, 11 ARE NOT USED AS INDICATED BY
Do Not Place "DNP".

CAUTION:
THIS SCHEMATIC IS PROVIDED FOR USE BY QUALIFIED PERSONNEL.
TO AVOID RISK OF ELECTRIC SHOCK, REFER SERVICING TO QUALIFIED
SERVICE PERSONNEL. DO NOT PERFORM ANY SERVICING BEYOND
THAT EXPLAINED IN THE OPERATING INSTRUCTIONS.

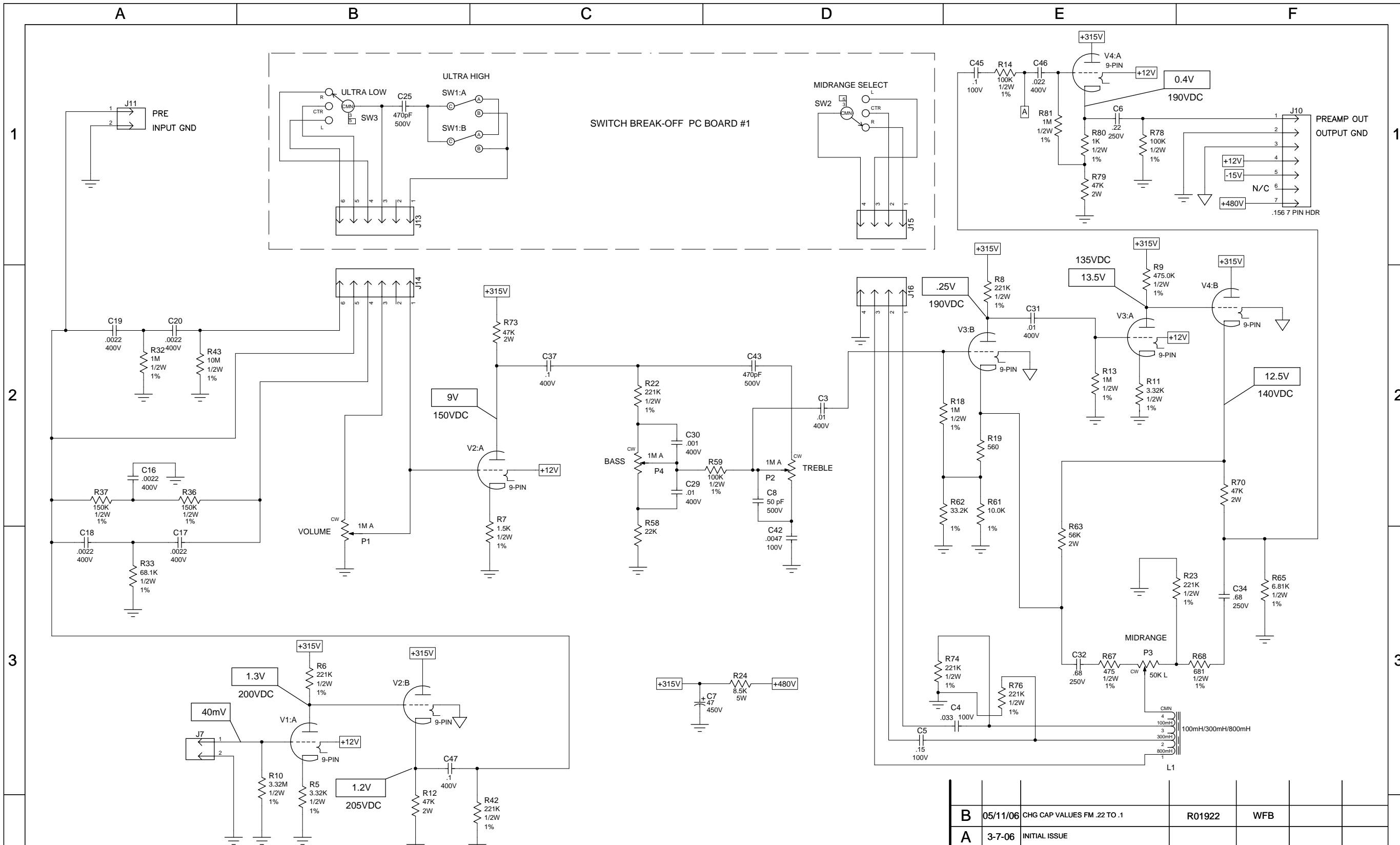
NOTES:
1) CAUTION: SHOCK HAZARD!!
THIS UNIT CONTAINS HAZARDOUS VOLTAGE. DISCONNECT POWER
AND BE SURE POWER SUPPLY IS DISCHARGED BEFORE
TOUCHING INTERNAL PARTS.
2) UNLESS NOTED, RESISTOR VALUES IN OHMS, 1/4W-5% TOL.
CAPACITOR VALUES IN MICROFARADS, 50V-10% TOL.
3) VOLTAGES ARE MEASURED WITH 1 MEGOHM OSCILLOSCOPE
AND 10 MEGOHM DIGITAL VOLTMETER.

0	3/13/06	CONTROL ISSUE				
REV	Date	DESCRIPTION	Ecr(s)/Ecn(s)	Chgd By	Appvd by	Date
THE INFORMATION CONTAINED ON THIS DRAWING IS PROPRIETARY TO ST. LOUIS MUSIC, INC.						
Signatures:			Date:		 11880 Borman Drive, St. Louis, MO 63146	
Drawn: GM		08/17/05				
Checked:			Released:		First Used On:	
Plot Date: Thu Apr 20, 2006		Drawing Size: C		Drawing Title:		
Plot Time: 14:10:56		Drawing Type: Schematic		SCHEMATIC - TUBE BD		
Tolerance:		Class Code: NONE		Drawing Number:		
		Sheet 1 of 1		07S365		



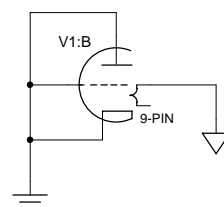
REV	Date	DESCRIPTION	Ecr(s)/Ecn(s)	Chgd By	Appvd by	Date
A	3/14/06	INITIAL ISSUE				
THE INFORMATION CONTAINED ON THIS DRAWING IS PROPRIETARY TO ST. LOUIS MUSIC, INC.						
Signatures:		Date:		 11880 Borman Drive, St. Louis, MO 63146		
Drawn: REM		02/16/05		First Used On:		
Checked:				Drawing Title:		
Released:				SCHEM- PWR AMP/SUPPLY		
Plot Date: Tue Mar 14, 2006		Drawing Size: C		Drawing Number:		
Plot Time: 18:46:12		Drawing Type: Schematic		07S792		
Tolerance:		Class Code: NONE		Sheet 1 of 2		

Ampeg SVT-VR PREAMP



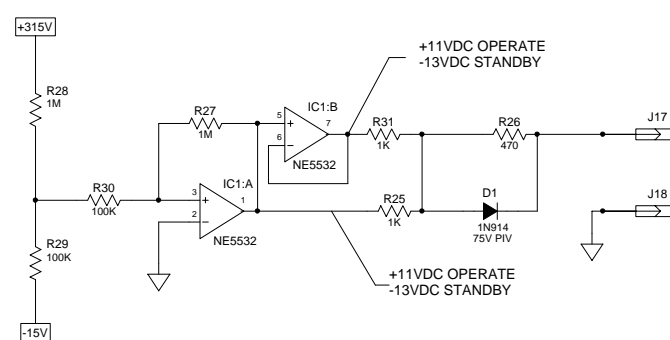
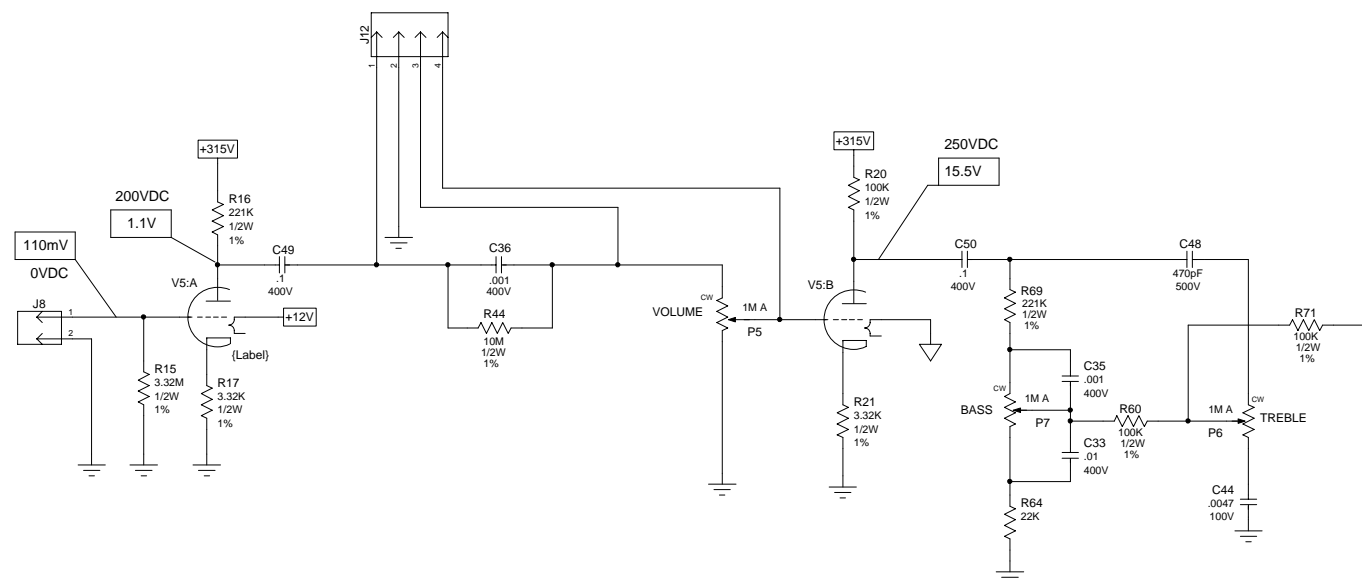
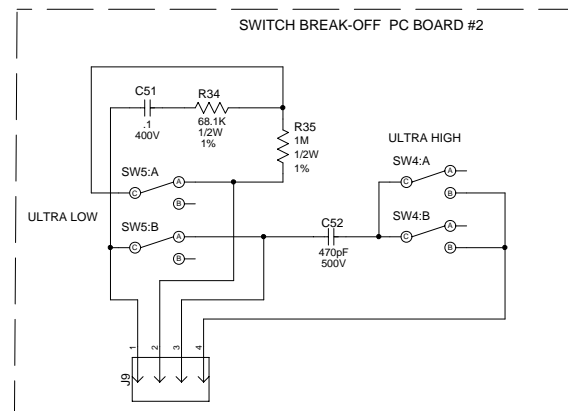
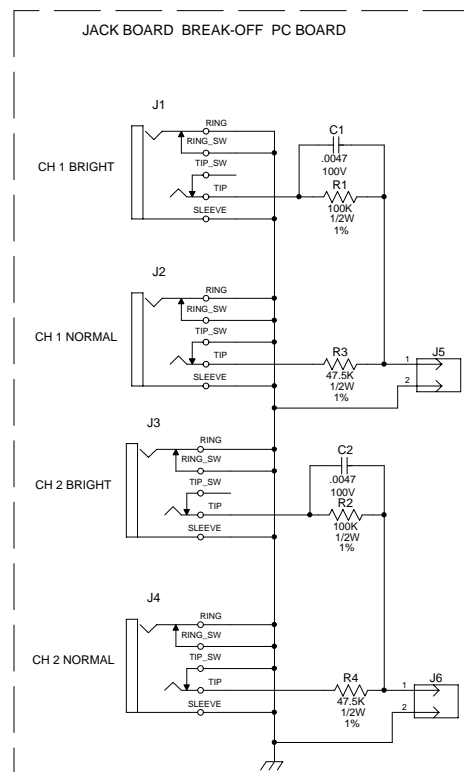
CAUTION:
THIS SCHEMATIC IS PROVIDED FOR USE BY QUALIFIED PERSONNEL.
TO AVOID RISK OF ELECTRIC SHOCK, REFER SERVICING TO QUALIFIED
SERVICE PERSONNEL. DO NOT PERFORM ANY SERVICING BEYOND
THAT EXPLAINED IN THE OPERATING INSTRUCTIONS.

- NOTES:**
- 1) CAUTION: SHOCK HAZARD!!
THIS UNIT CONTAINS HAZARDOUS VOLTAGE. DISCONNECT POWER
AND BE SURE POWER SUPPLY IS DISCHARGED BEFORE
TOUCHING INTERNAL PARTS.
 - 2) UNLESS NOTED, RESISTOR VALUES IN OHMS, 1/10W-5% TOL.
CAPACITOR VALUES IN MICROFARADS, 50V-10% TOL.
 - 3) VOLTAGES ARE MEASURED WITH 1 MEGOHM OSCILLOSCOPE
AND 10 MEGOHM DIGITAL VOLTMETER.



B	05/1/06	CHG CAP VALUES FM .22 TO .1	R01922	WFB		
A	3-7-06	INITIAL ISSUE				
REV	Date	DESCRIPTION	Ecr(s)/Ecn(s)	Chgd By	Appvd by	Date
THE INFORMATION CONTAINED ON THIS DRAWING IS PROPRIETARY TO ST. LOUIS MUSIC, INC.						
Signatures:			Date:		 1901 Congressional, St. Louis, MO 63146	
Drawn: REM			8/25/05			
Checked:					First Used On:	
Released:						
Plot Date: Thu May 11, 2006		Drawing Size: C		Drawing Title:		
Plot Time: 14:38:00		Drawing Type: Schematic		BASS AMP		
Tolerance:		Class Code: NONE		Drawing Number:		
		Sheet 1 of 2		07S598		

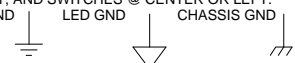
Ampeg SVT-VR PREAMP



CAUTION:
THIS SCHEMATIC IS PROVIDED FOR USE BY QUALIFIED PERSONNEL TO AVOID RISK OF ELECTRIC SHOCK, REFER SERVICING TO QUALIFIED SERVICE PERSONNEL. DO NOT PERFORM ANY SERVICING BEYOND THAT EXPLAINED IN THE OPERATING INSTRUCTIONS.

- NOTES:**
- 1) CAUTION: SHOCK HAZARD!! THIS UNIT CONTAINS HAZARDOUS VOLTAGE. DISCONNECT POWER AND BE SURE POWER SUPPLY IS DISCHARGED BEFORE TOUCHING INTERNAL PARTS.
 - 2) UNLESS NOTED, RESISTOR VALUES IN OHMS, 1/4W-5% TOL. CAPACITOR VALUES IN MICROFARADS, 50V-10% TOL.
 - 3) VOLTAGES ARE MEASURED WITH 1 MEGOHM OSCILLOSCOPE AND 10 MEGOHM DIGITAL VOLTMETER.

4. VOLTAGES IN RECTANGLES ARE PEAK TO PEAK SIGNAL VOLTAGES. OTHER VOLTAGES ARE D.C.
5. TEST CONDITIONS: VOLUMES @ 10, TONES FLAT, AND SWITCHES @ CENTER OR LEFT.
6. CIRCUIT GND LED GND CHASSIS GND



REV	Date	DESCRIPTION	Ecr(s)/Ecn(s)	Chgd By	Appvd by	Date
B	05/11/06	CHG CAP VALUES FM .22 TO .1	R01922	WFB		
A	3-7-06	INITIAL ISSUE				

THE INFORMATION CONTAINED ON THIS DRAWING IS PROPRIETARY TO ST. LOUIS MUSIC, INC.

Signatures:		Date:	 1901 Congressional, St. Louis, MO 63146
Drawn:	REM	8/25/05	
Checked:			First Used On:
Released:			
Plot Date: Thu May 11, 2006	Drawing Size: C	Drawing Title: BASS AMP	
Plot Time: 14:38:00	Drawing Type: Schematic	Drawing Number: 07S598	
Tolerance:	Class Code: NONE	Sheet 2 of 2	