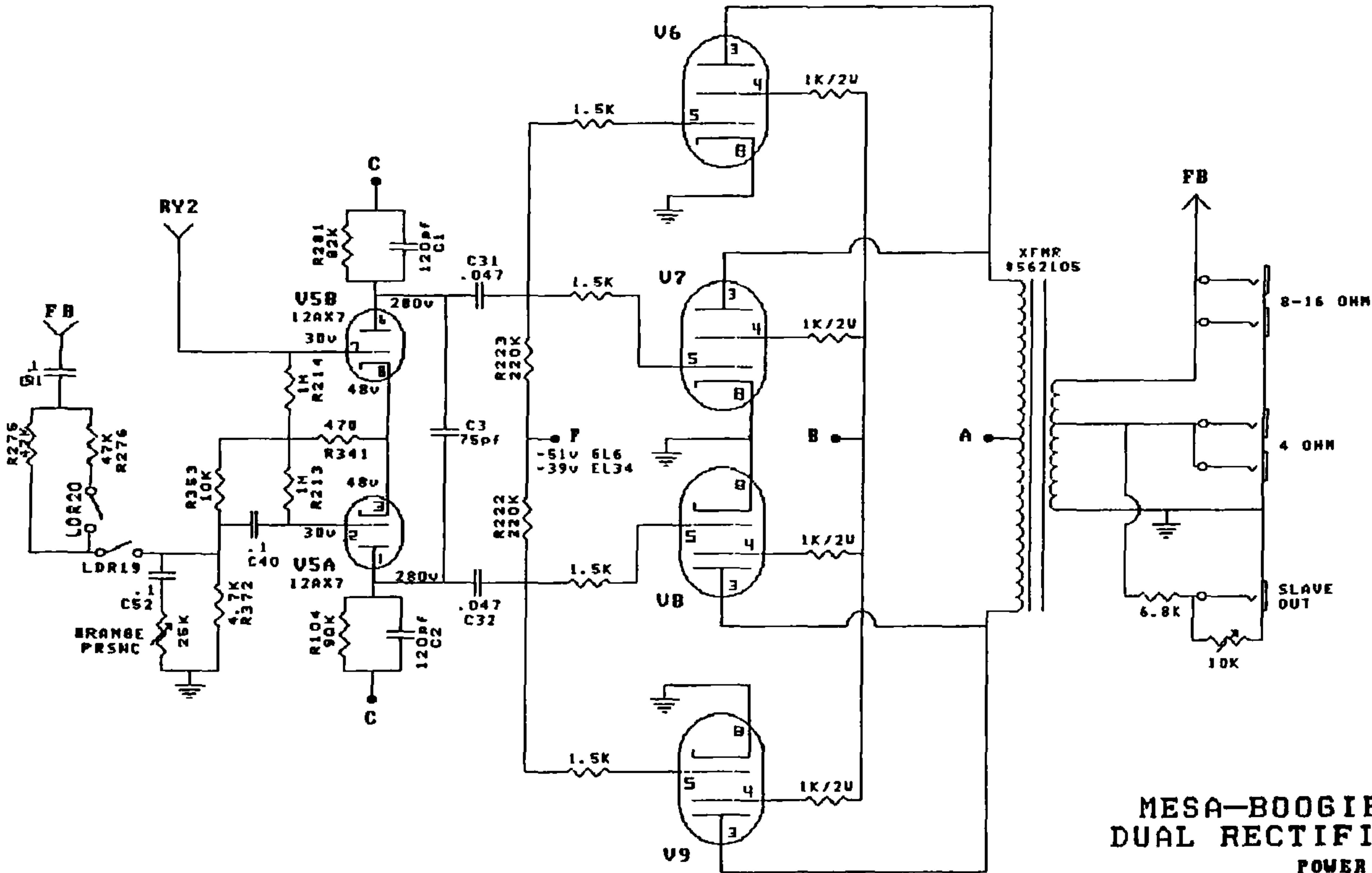
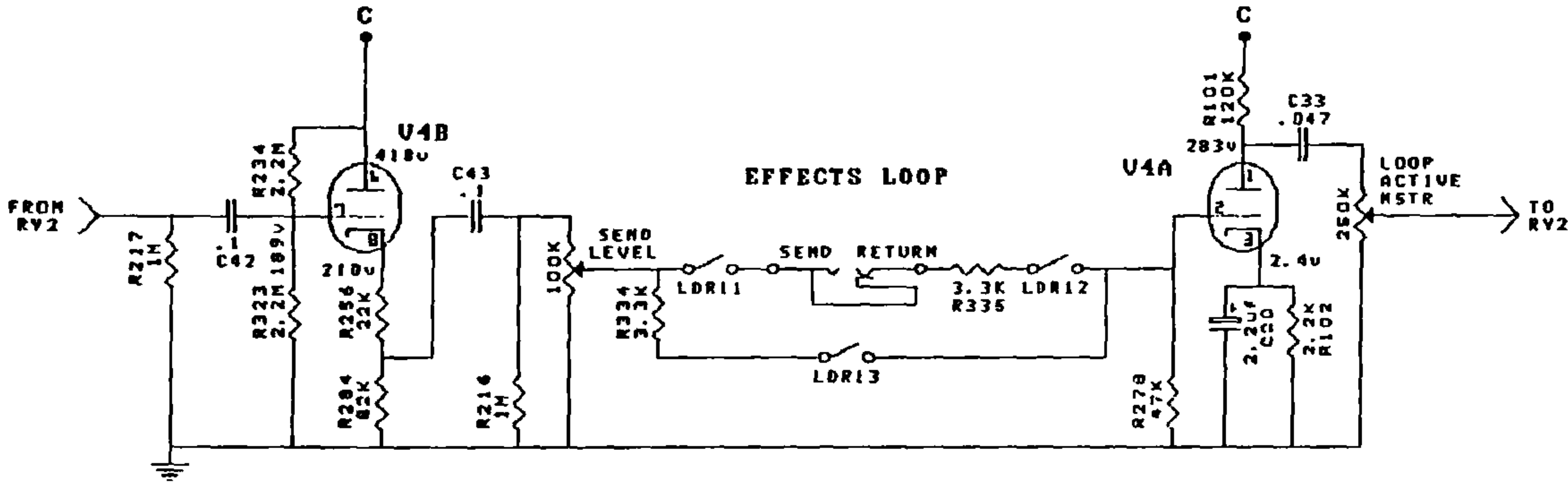


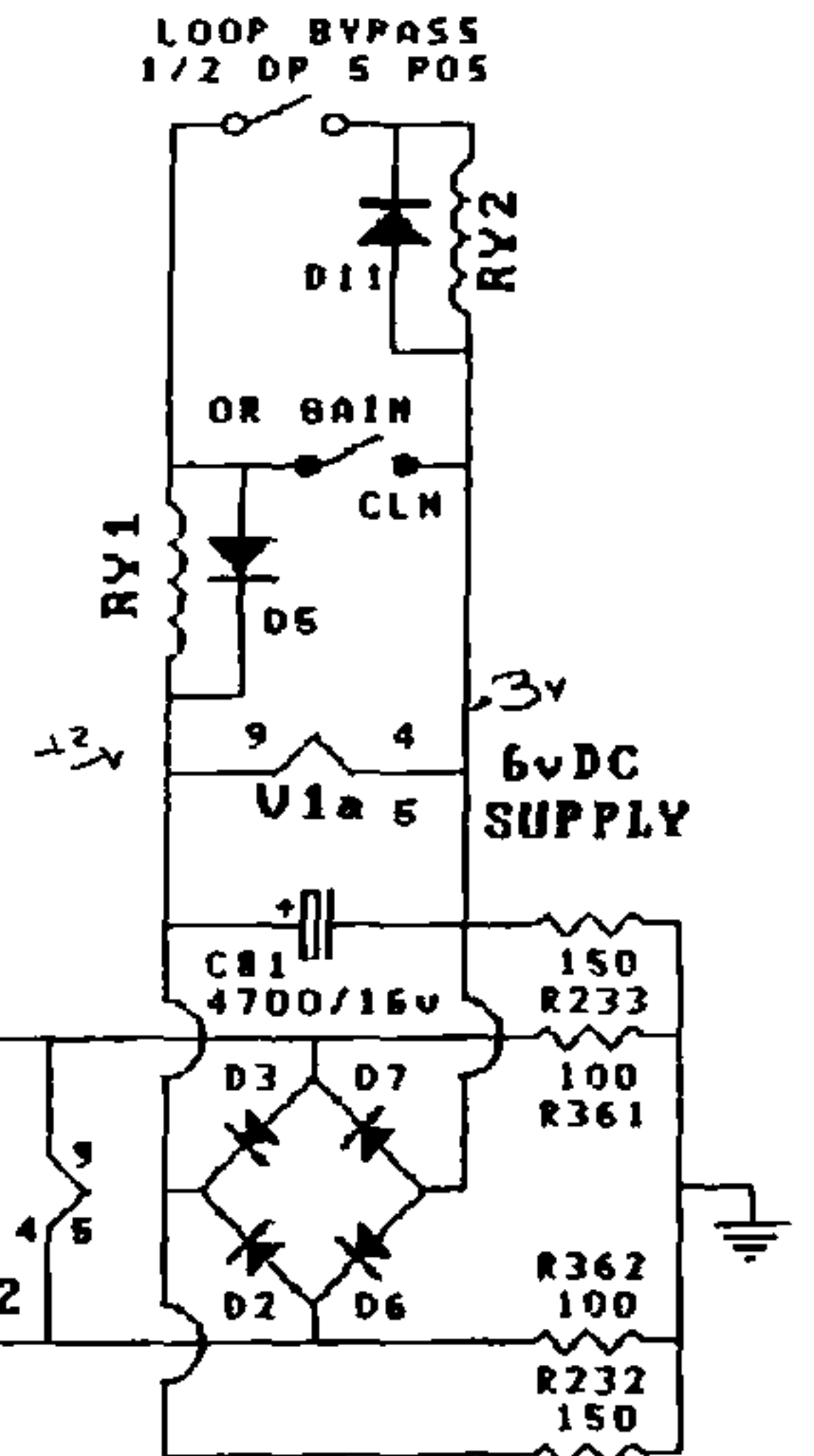
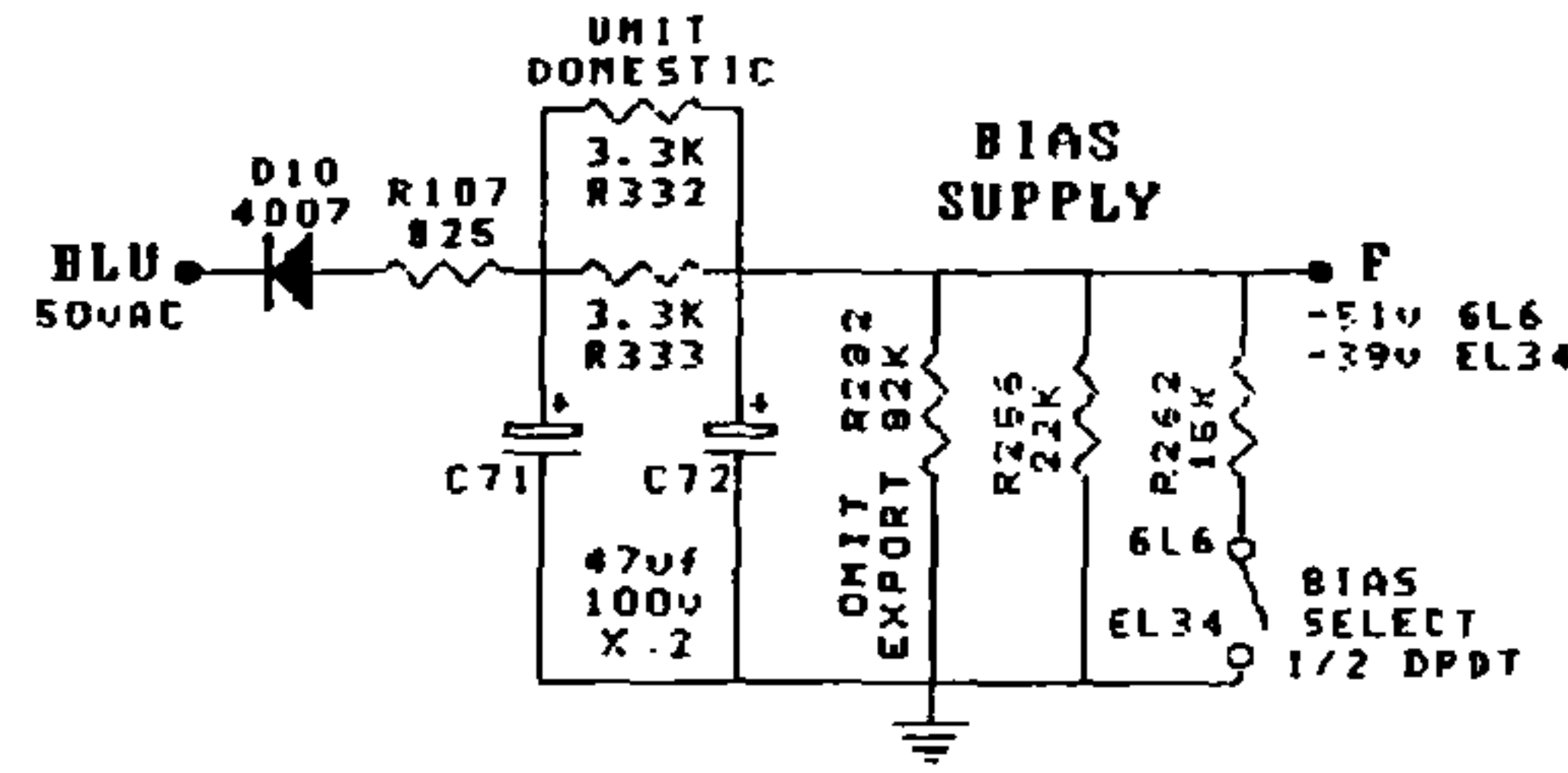
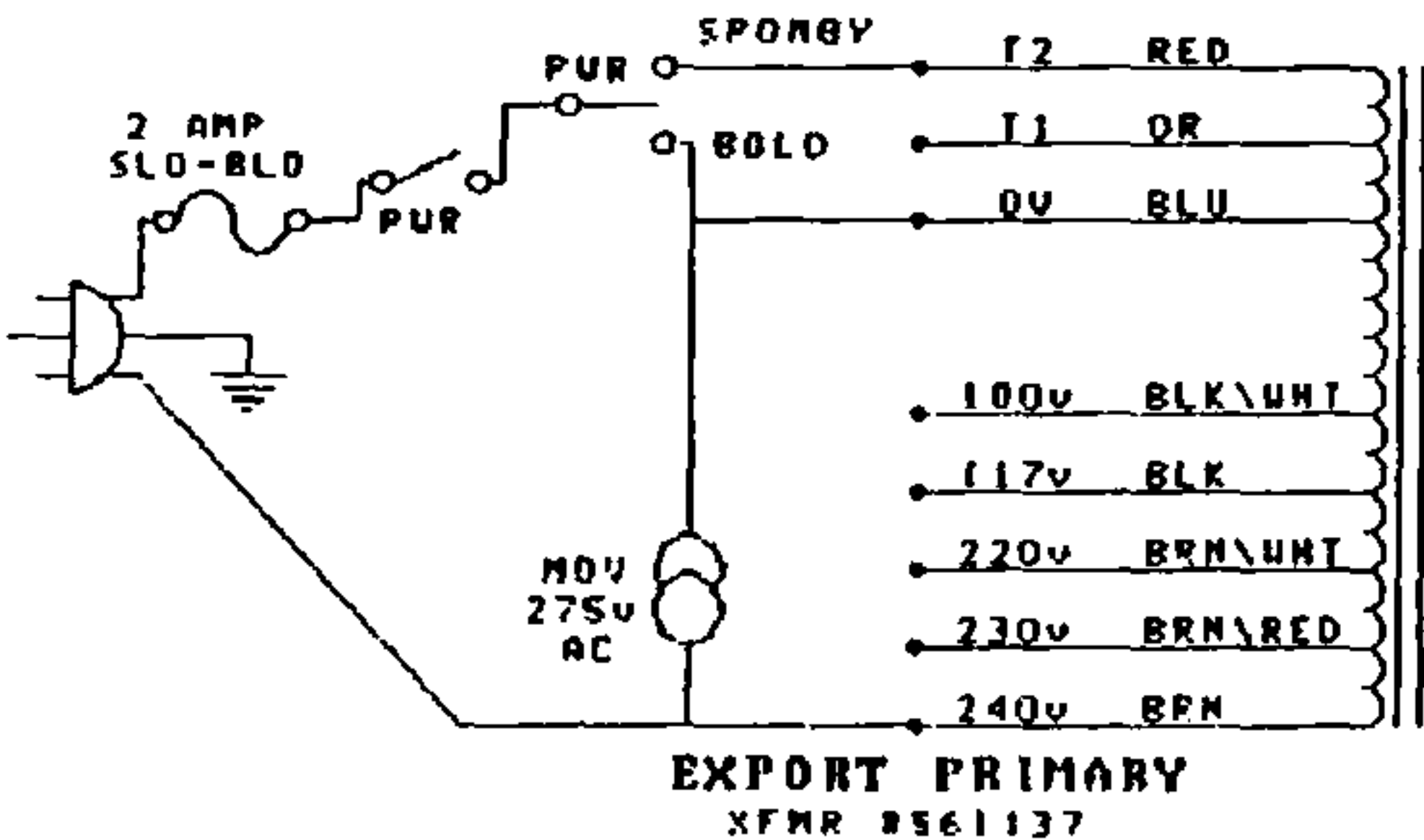
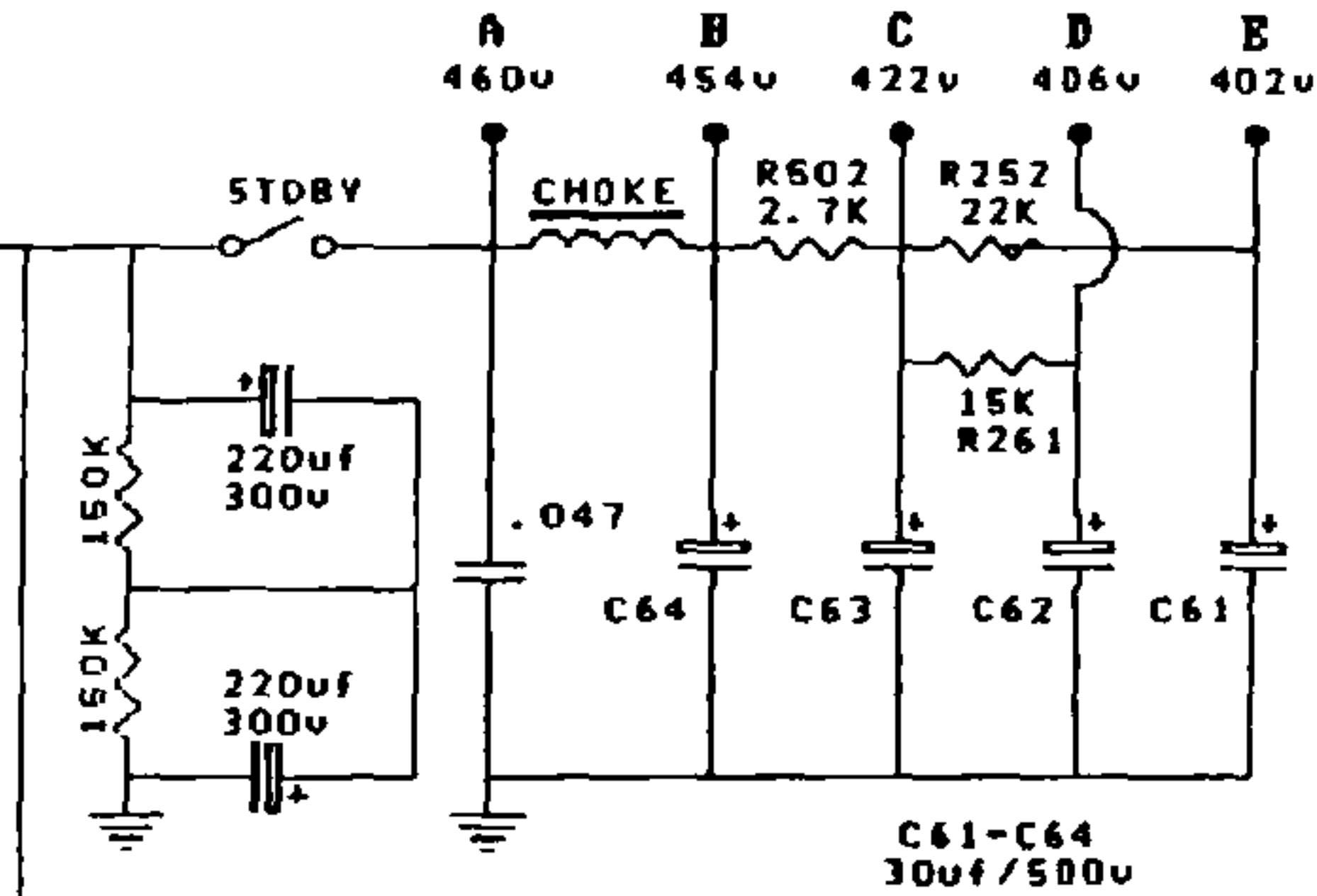
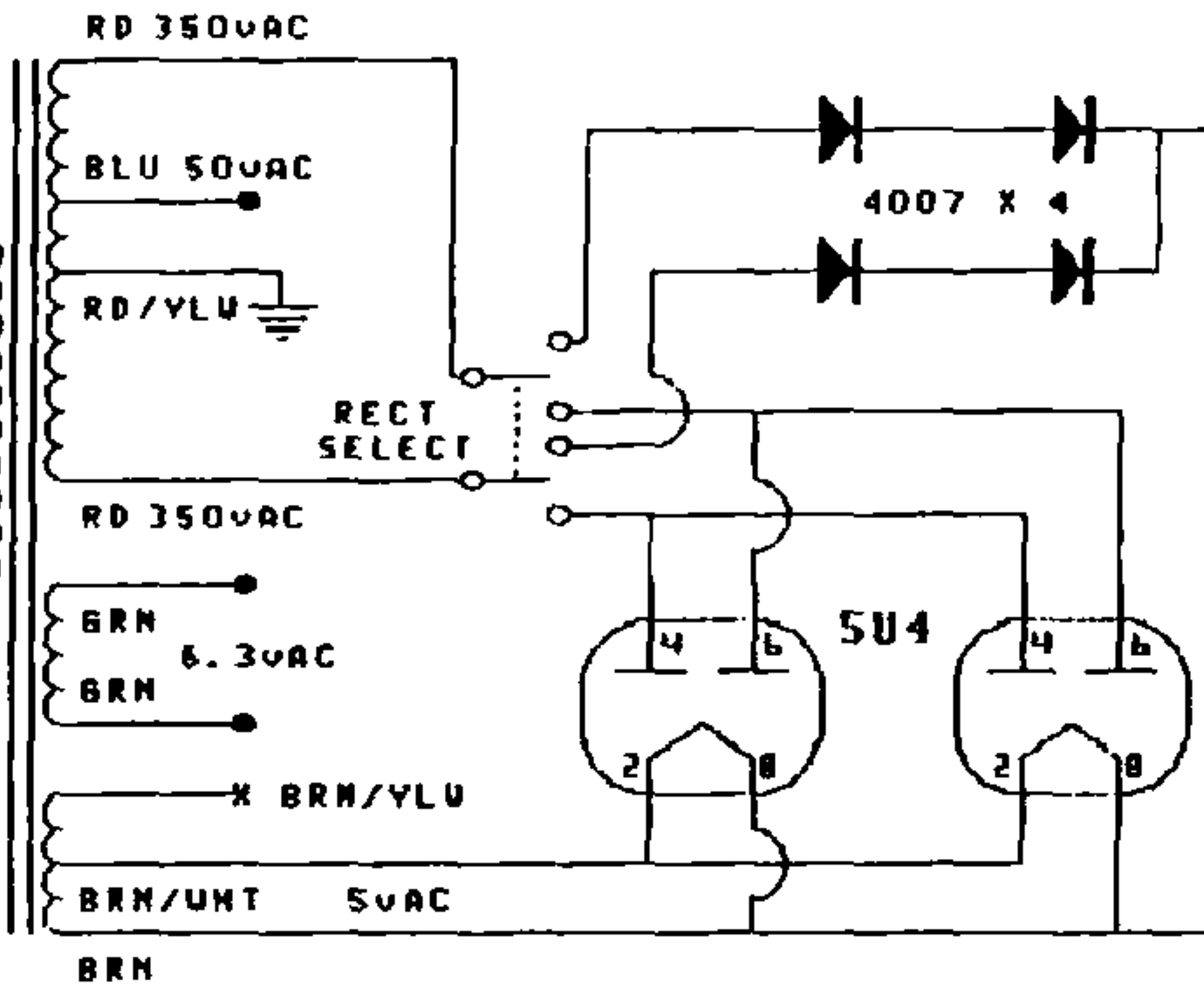
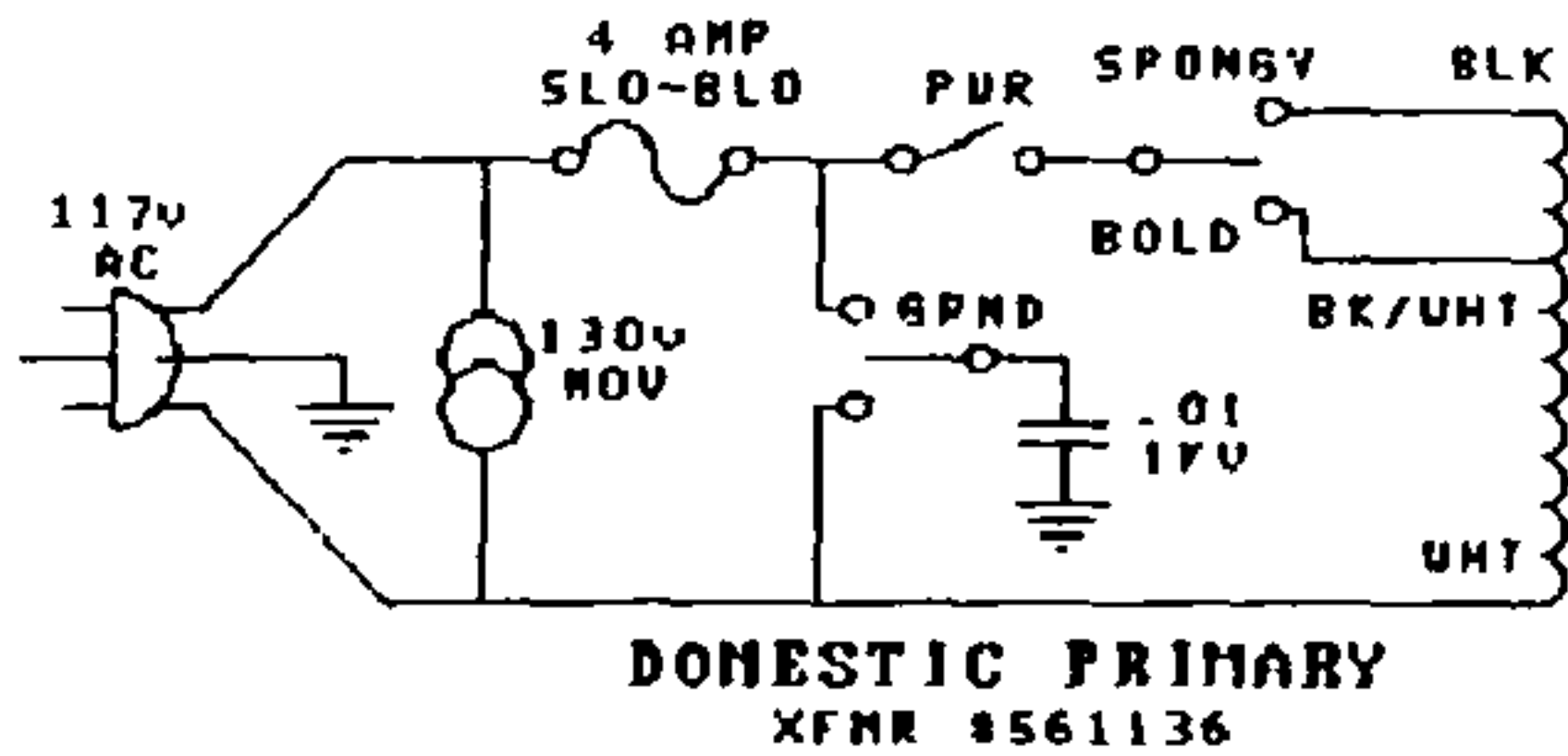
**MESA-BOOGIE
DUAL RECTIFIER
PREAMP RF-1F**



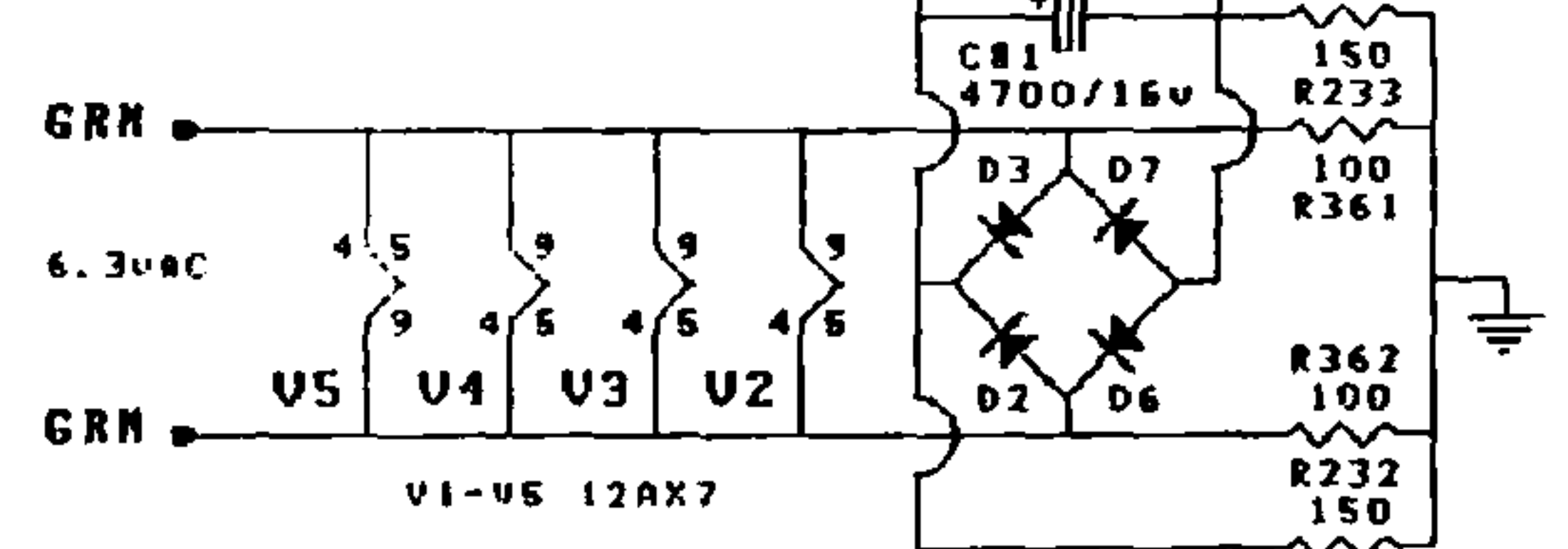
**MESA-BOOGIE
DUAL RECTIFIER
POWER AMP**

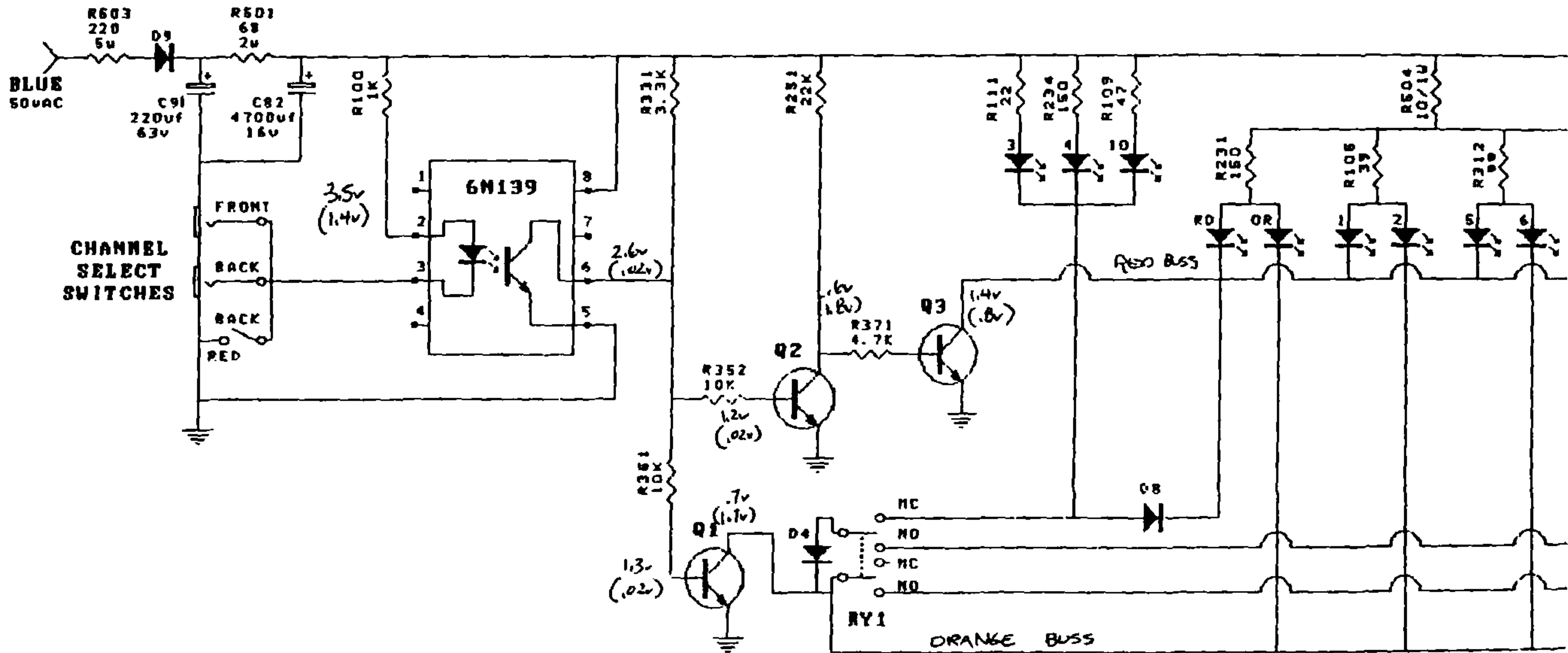
EFFECTS LOOP





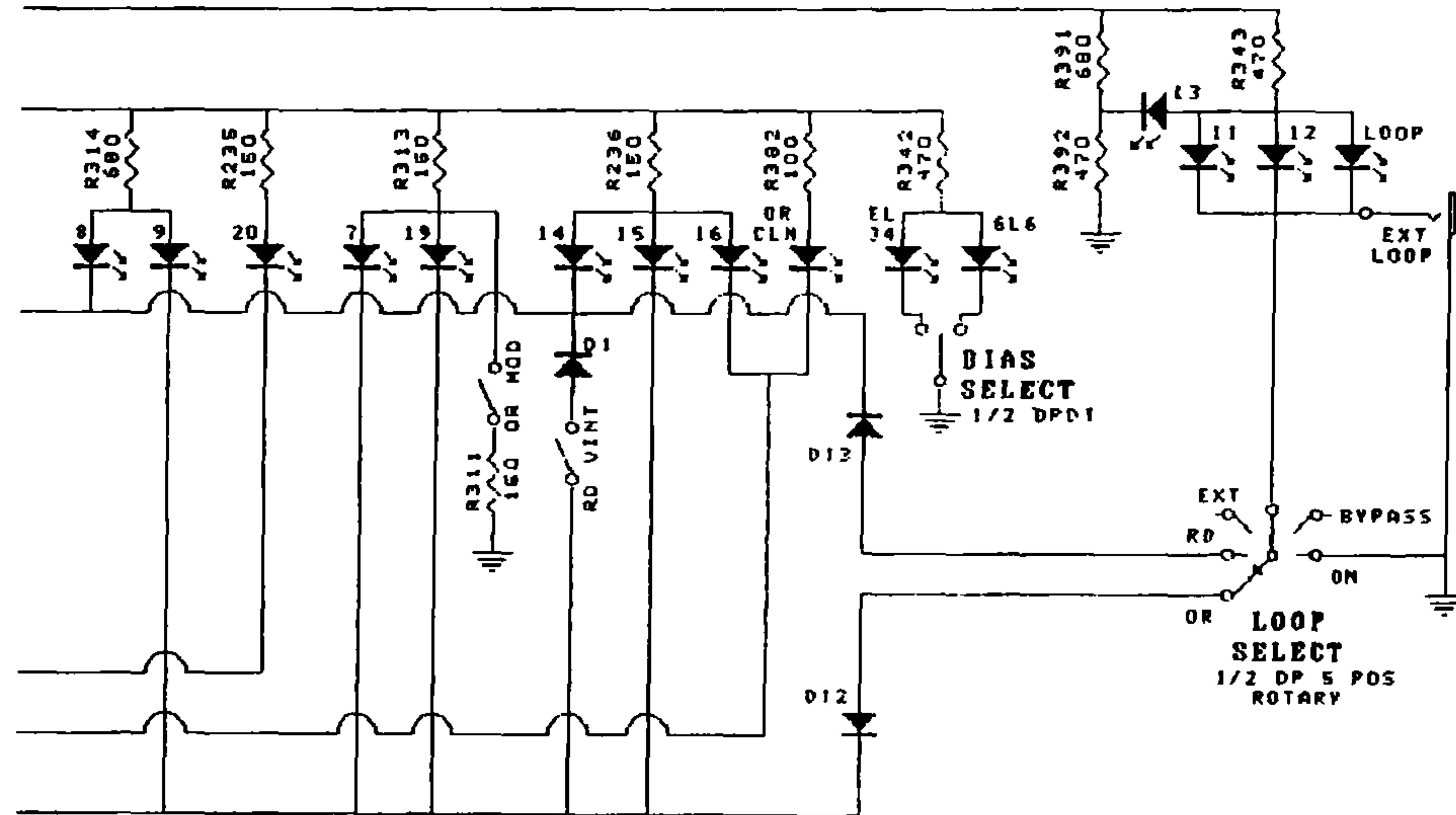
**MESA-BOOGIE
DUAL RECTIFIER
POWER SUPPLIES**





RY 1; on in OR cln
 lifts LDR's 3,4,10 from OR BUSS
 adds LDR's 16,20, to OR BUSS

**MESA-BOOGIE
 DUAL-RECTIFIER
 SWITCHING MATRIX PART ONE**



- LDR1 - RD INPUT SELECT
- LDR2 - OR INPUT SELECT
- LDR3a - V2a CATHODE CAP
- LDR3b - V1a CATHODE CAP
- LDR4 - V1a OUTPUT PAD
- LDR5 - RD BAIN POT
- LDR6 - OR BAIN POT
- LDR7 - TREBLE ROLLOFF
- LDR8 - RD TONE CAPS
- LDR9 - OR TONE CAPS
- LDR10 - V3a CATHODE CAP
- LDR11 - FX SEND
- LDR12 - FX RETURN
- LDR13 - FX BYPASS
- LDR14 - RD NSTR POT
- LDR15 - OR NSTR POT
- LDR16 - OR NSTR BYPASS
- LDR19 - FEEDBACK
- LDR20 - MORE FEEDBACK

| LDR# | OR NORM | OR CLN | OR MOD | RD NORM | RD VINT |
|------|---|--------|--------|---------|---------|
| 1 | OFF | OFF | OFF | ON | ON |
| 2 | ON | ON | ON | OFF | OFF |
| 3 | ON | OFF | ON | ON | ON |
| 4 | ON | OFF | ON | ON | ON |
| 5 | OFF | OFF | OFF | ON | ON |
| 6 | ON | ON | ON | OFF | OFF |
| 7 | ON | ON | OFF | OFF | ON |
| 8 | OFF | OFF | OFF | ON | ON |
| 9 | ON | ON | ON | OFF | OFF |
| 10 | ON | OFF | ON | ON | ON |
| 11 | - FX SEND LDR, ON FOR SELECTED MODE- | | | | |
| 12 | - FX RETURN LDR, ON FOR SELECTED MODE- | | | | |
| 13 | - FX BYPASS LDR, ON FOR NONSELECTED MODE- | | | | |
| 14 | OFF | OFF | OFF | ON | ON |
| 15 | ON | ON | ON | OFF | OFF |
| 16 | OFF | ON | OFF | OFF | OFF |
| 19 | ON | ON | OFF | OFF | ON |
| 20 | OFF | ON | OFF | OFF | OFF |