

Service Manual

Created: 07 July 2015



VALVE BASS AMPLIFIER BVP5500

Classic 550-Watt Tube Bass Amplifier Head with Tube Gain Control and 9-Band Graphic EQ

Specifications	2
PCB Schematic	3
Parts List	7
Exploded Drawing	22

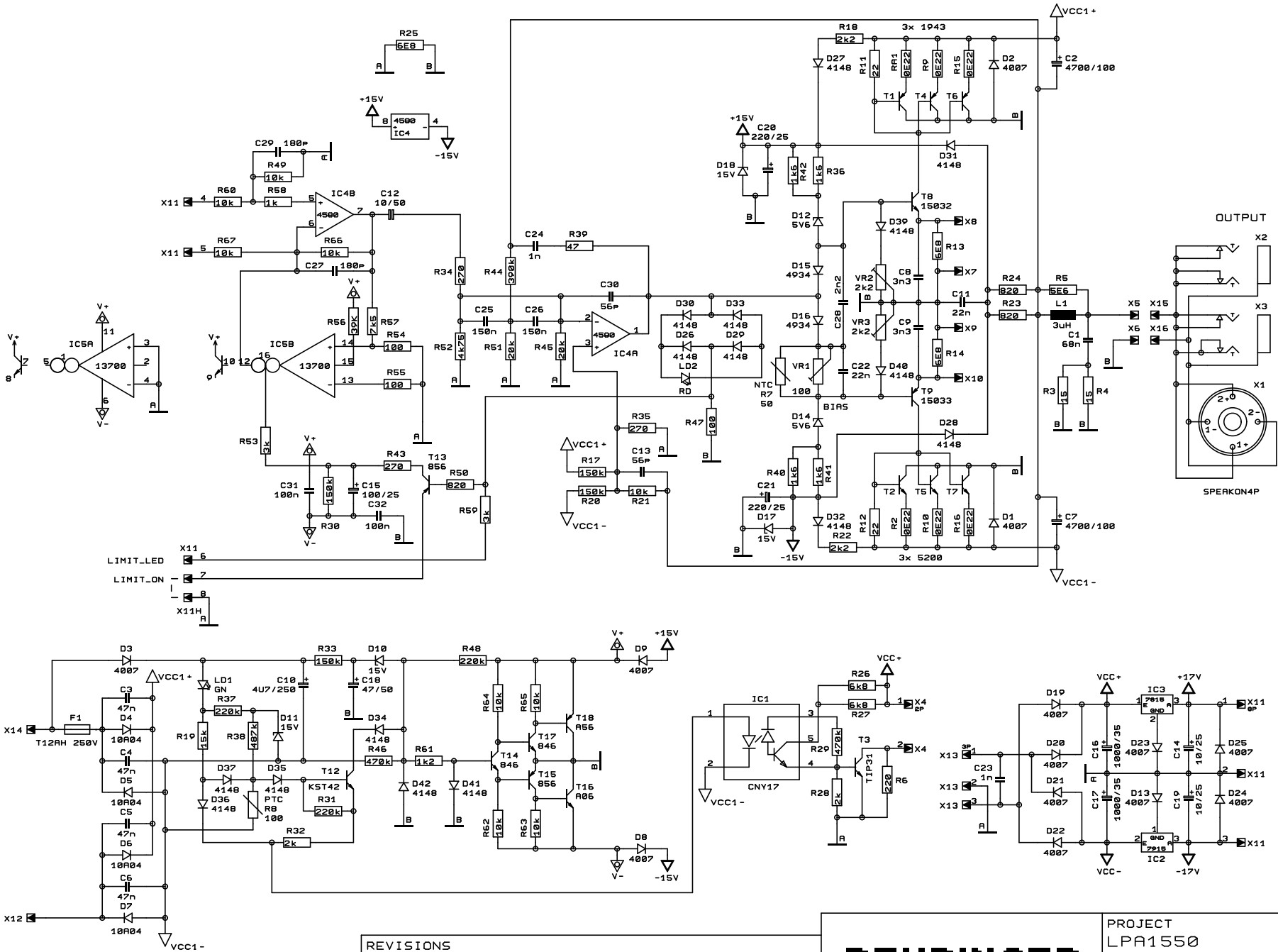
bugera-amps.com

Bugera

VALVE BASS AMPLIFIER BVP5500

Specifications

- Powerful 550-Watt tube bass amplifier head for classic sound and performance
- 4 x 12AX7 tubes give you the ultimate sound and feel only tubes can provide
- Tube Gain controls the dynamics and tonal response of the power amp to deliver anything from punchy to thick and compressed sounds
- Ultra-musical 9-band graphic EQ for total frequency control
- Dedicated Bass, Mid, Treble and additional Mid frequency control enable ultimate sound shaping
- Bright function for brilliant sound enhancement, even with heavy compression
- Switchable Ultra Low and Ultra High function for ultimate tone
- Dual footswitch for Mute and EQ functions included
- Balanced XLR DI output for direct connection to your mixing console
- Switchable Tuner output works either as a tuner connection or a live monitor feed
- Effects Loop for external effects devices (stomp boxes, rack effects, etc.)
- Power Amp input and Preamp output connectors allow you direct access to the power amp and a signal tap from the preamp section for even greater versatility
- 3 speaker outputs: two 1/4" jacks and a professional speaker connector (compatible with Neutrik Speakon* connectors)
- Integrated limiter and active, temperature-controlled cooling system for ultimate protection
- 3-Year Warranty Program**
- Designed and engineered by BUGERA Germany



REVISIONS
E (24/06/08)

DRAWN BE

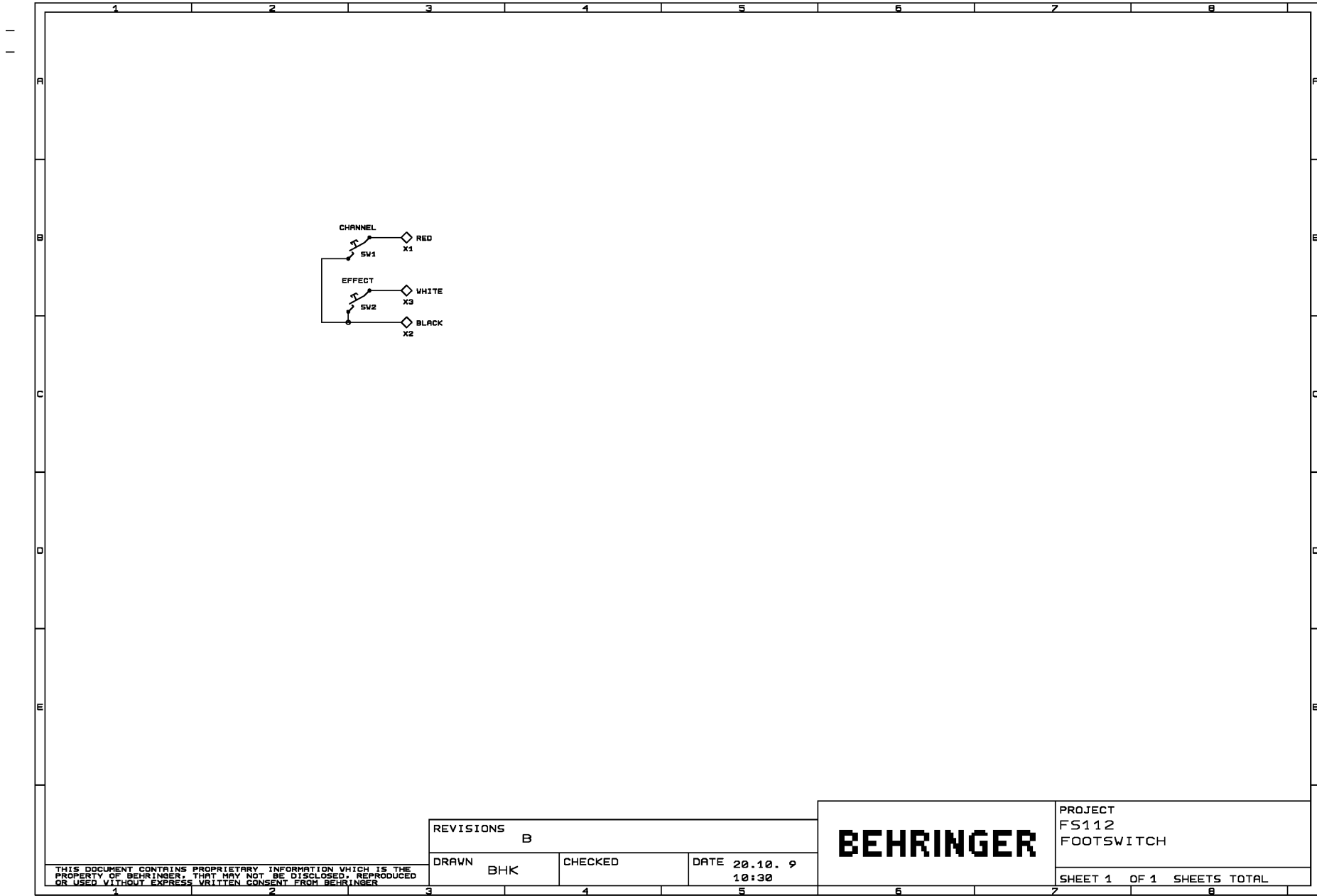
CHECKED

DATE 20.10.9
11:19

BEHRINGER

PROJECT
LPA1550
550W POWER AMP
SCHEMATICS

SHEET 1 OF 1 SHEETS TOTAL

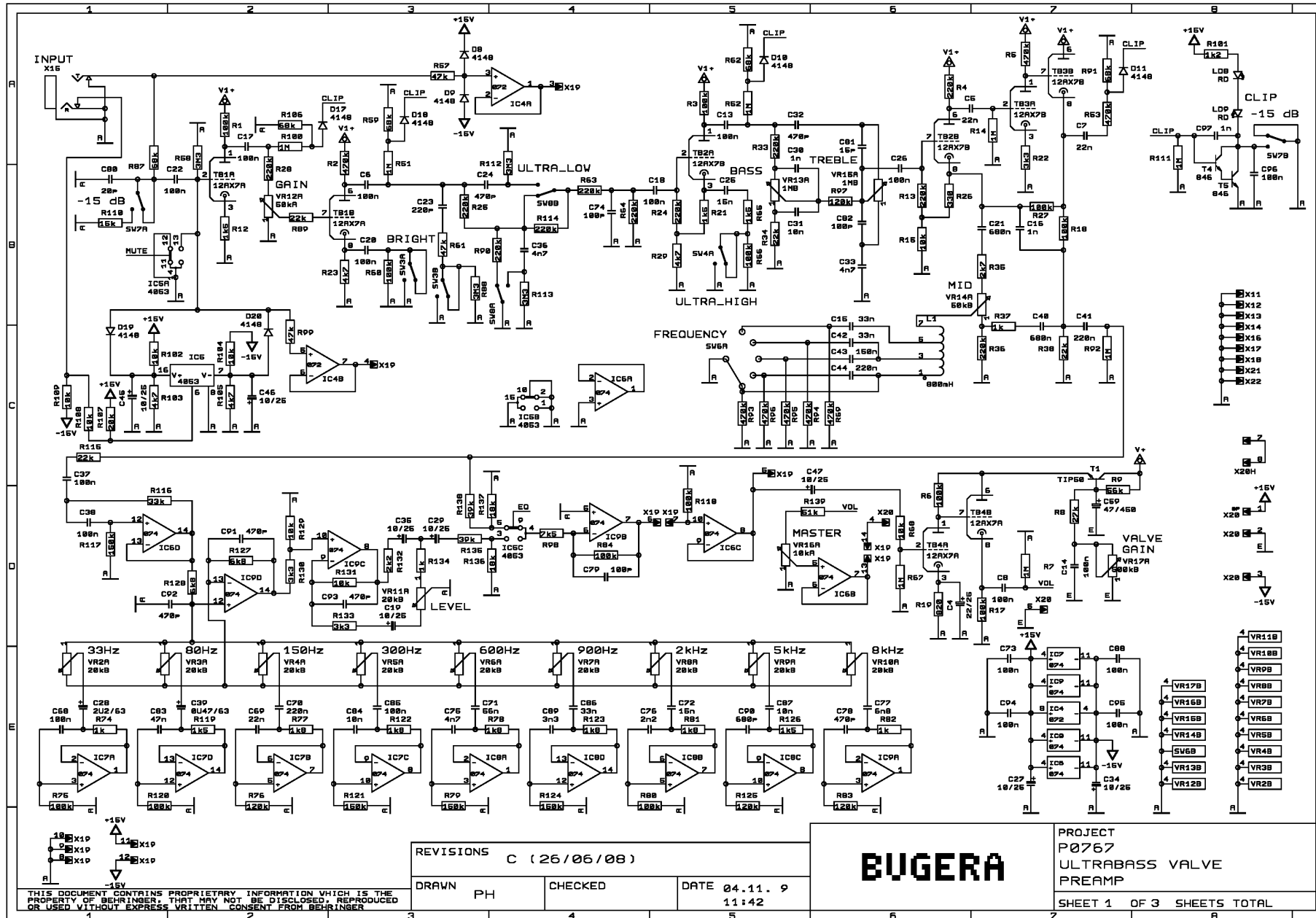


REVISIONS		
B		
DRAWN	BHK	CHECKED
		DATE 20.10. 9
		10:30

BEHRINGER

PROJECT
FS112
FOOTSWITCH
SHEET 1 OF 1 SHEETS TOTAL

THIS DOCUMENT CONTAINS PROPRIETARY INFORMATION WHICH IS THE PROPERTY OF BEHRINGER. THAT MAY NOT BE DISCLOSED, REPRODUCED OR USED WITHOUT EXPRESS WRITTEN CONSENT FROM BEHRINGER.

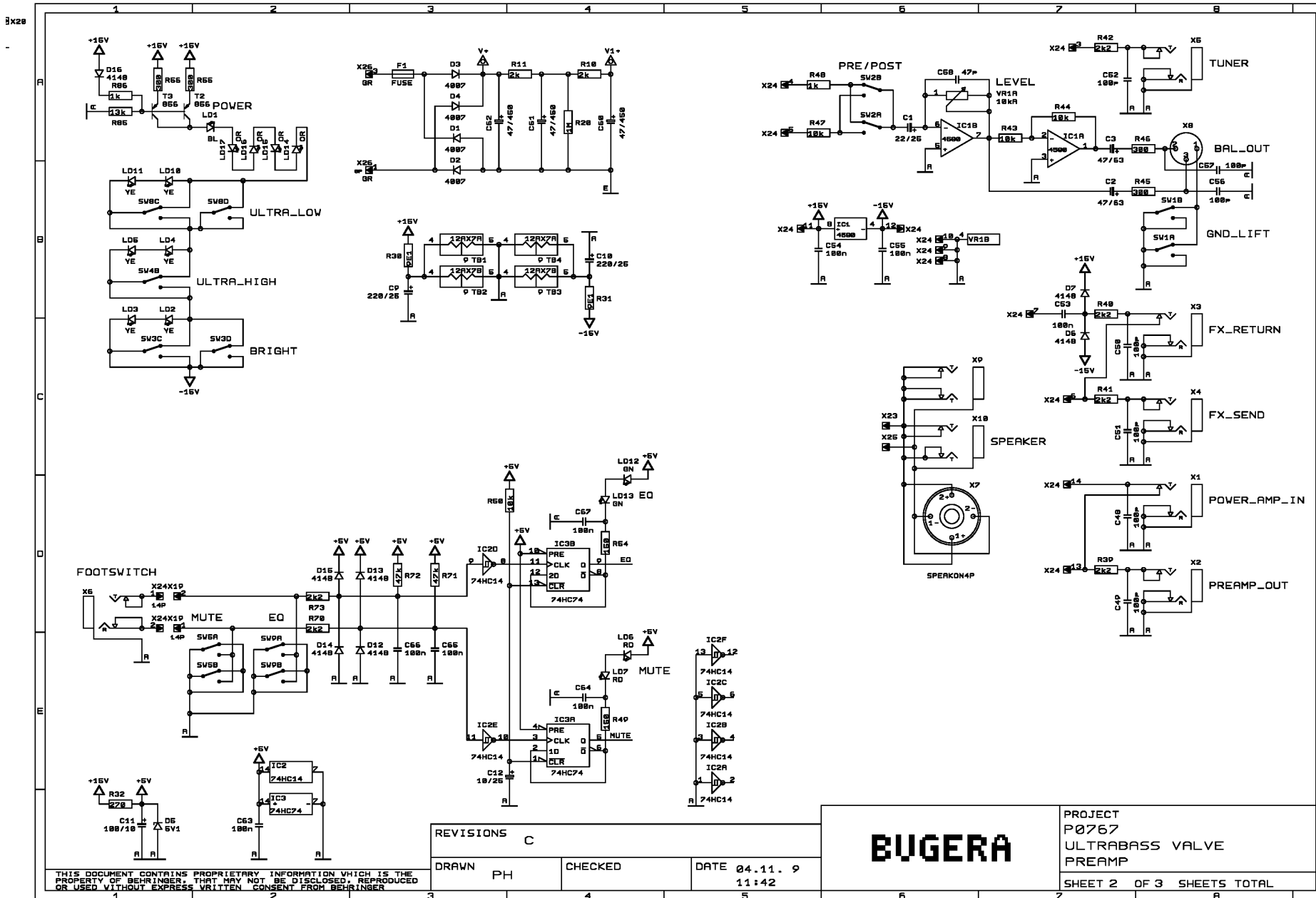


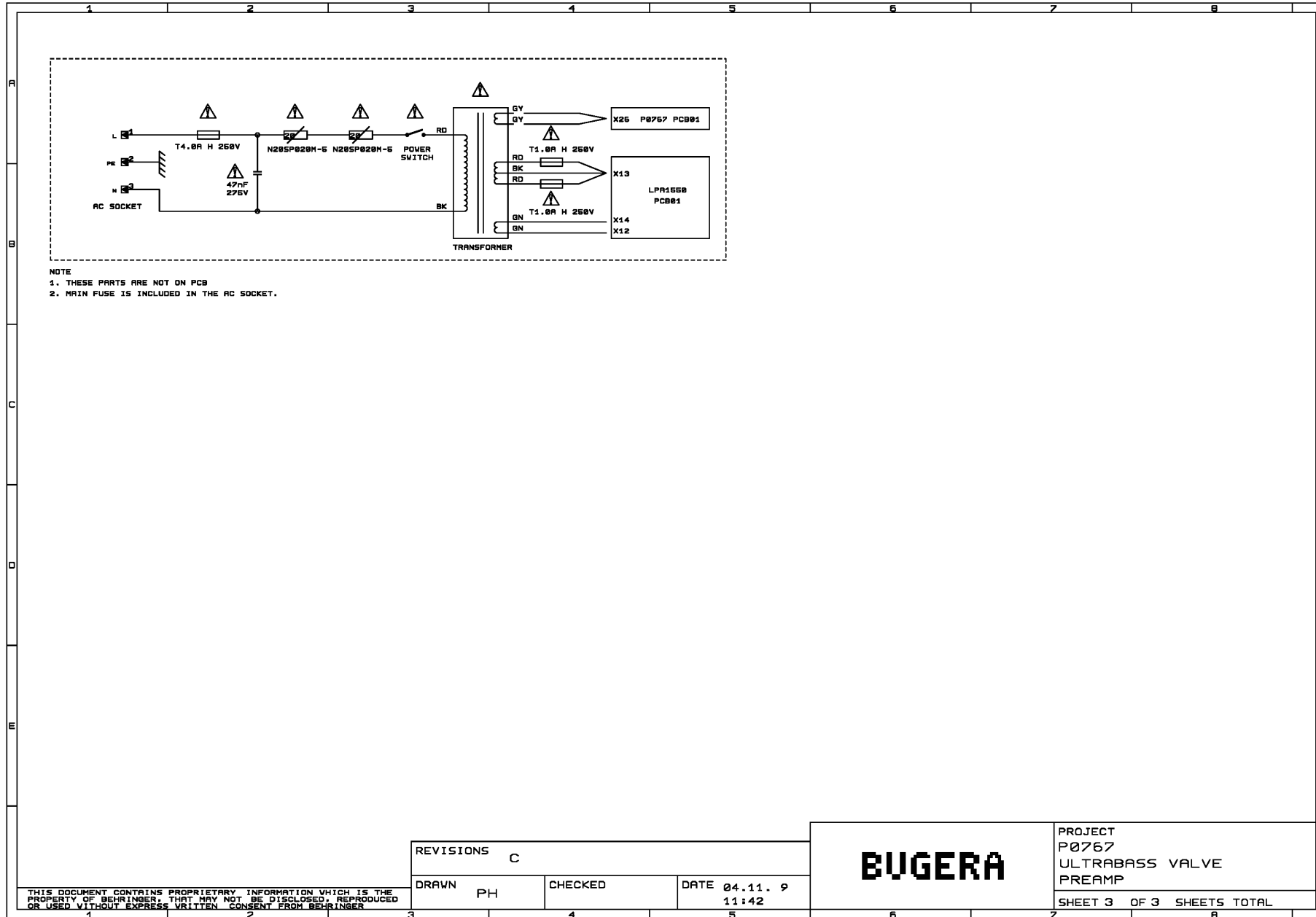
REVISIONS C (26/06/08)		
DRAWN PH	CHECKED	DATE 04.11. 9 11:42

BUGERA

PROJECT
P0767
ULTRABASS VALVE
PREAMP
SHEET 1 OF 3 SHEETS TOTAL

THIS DOCUMENT CONTAINS PROPRIETARY INFORMATION WHICH IS THE PROPERTY OF BEHRINGER THAT MAY NOT BE DISCLOSED, REPRODUCED OR USED WITHOUT EXPRESS WRITTEN CONSENT FROM BEHRINGER.





Hi Pcb Assemblies

	Quantity	Unit	S.Sku	M.Sku	Description	Reference Designators	Notes
1	1.0000	PC		A05-00001-05725	PCB ASSEMBLY;LPA1550;PCB:01;AMP;REV:E;HAND INSERT;NO:919030		
2	1.0000	PC		A05-76701-05711	PCB ASSEMBLY;P0767;PCB:01;FRONT;REV:C;HAND INSERT;NO:810120		
3	1.0000	PC		A05-76702-05713	PCB ASSEMBLY;P0767;PCB:02;REAR;REV:C;HAND INSERT;NO:803100		
4	1.0000	PC	Q05-90100-06122	A05-90100-06122	PCB ASSEMBLY;FS112		

Service Assemblies

	Quantity	Unit	S.Sku	M.Sku	Description	Reference Designators	Notes
1			Q04-76700-03417	A09-76700-00000	SPARE PART;P0767;POWER AMP	[EXTRA SPARE]	
2				A09-76700-00003	SPARE PART;P0767;REV:C;FRONT	[EXTRA SPARE]	
3				A04-76700-03417	SUB ASSEMBLY;P0767;VERSION:POWER AMP ASSEMBLY MODULE	[EXTRA SPARE]	
4			Q04-76700-03416	A04-76700-03416	SUB ASSEMBLY;P0767;VERSION:FRONT PCB01 ASSEMBLY MODULE	[EXTRA SPARE]	

Cable

	Quantity	Unit	S.Sku	M.Sku	Description	Reference Designators	Notes
1	0.1520	M		A74-00000-00708	WIRE;RAW FLAT CABLE;UL2651;AWG:28;POLES:8;GRAY;PIN1:RED;PITCH:1mm27		
2	0.3620	M		A74-00000-00714	WIRE;RAW FLAT CABLE;UL2651;AWG:28;POLES:14;GRAY;PIN1:RED;PITCH:1mm27		
3	0.0000	PC		A74-00161-50708	CABLE;FLAT;P2mm54;LENGTH:150mm;AWG:28;FC4/FD+10/-0mm;POLES:8		
4	0.0000	PC		A74-00163-50714	CABLE;FLAT;P2mm54;LENGTH:350mm;AWG:28;FC4/FD+10/-0mm;POLES:14		
5	1.0000	PC	Q74-90161-50708	A74-90161-50708	CABLE;FLAT;P2mm54;LENGTH:150mm;ZEE;AWG:28;FC4/FD+10/-0mm;POLES:8	[P0767:01: {1.0}(X20)]	
6	1.0000	PC	Q74-90163-50714	A74-90163-50714	CABLE;FLAT;P2mm54;LENGTH:350mm;ZEE;AWG:28;FC4/FD+10/-0mm;POLES:14	[P0767:01: {1.0}(X19)]	
7	1.0000	PC	Q89-50031-04316	A89-50031-04316	FOOTSWITCH CABLE;FS112;LENGTH:5000mm;POLES:3;COLOR:BLK;SPEC.NO:04316		
8	1.0000	PC	Q76-15222-06417	A76-15222-06417	CABLE;AC-CORD;W/POLYBAG;LENGTH:152cm;AWG:18;VERSION;UL;SPEC.NO:06417		(UL)
9	1.0000	PC	Q76-15042-05624	A76-15042-05624	CABLE;AC-CORD;W/POLYBAG;LENGTH:150cm;H05VV-F3G0.75MM2;VERSION;UK;SPEC.NO:05624		(UK)
10	1.0000	PC	Q76-15032-55649	A76-15032-55649	CABLE;AC-CORD;CLASS II;W/POLYBAG;JAPAN;LENGTH:150cm;POLES:3;APPROVAL:PSE;JS1553 + VCTF 3x0.75mm2 + V1528		(JP, HM, SH)
11	1.0000	PC	Q76-15212-03119	A76-15212-03119	CABLE;AC-CORD;W/POLYBAG;LENGTH:152cm;H05VV-F 3G 0.75MM2;VERSION;EU;SPEC.NO:03119		(EU, RU)
12	1.0000	PC	Q76-00000-13573	A76-00000-13573	CABLE;AC-CORD;3;AR;1500 MM;Plug + Connector:321+730;H05VV-F 3G0.75		(AR)
13	1.0000	PC	Q76-00000-05305	A76-00000-05305	CABLE;AC-CORD;3;BR;1500 MM;Plug + Connector:375+730;H05VV-F 3G0.75		(BR)
14	1.0000	PC	Q76-18050-47490	A76-18050-47490	CABLE;AC-CORD;LENGTH:180cm;VERSION:SAA;PLUG:HE105 ISOLATED;SAA H05VV-F 3x0.75mm2;CONN.HP-3;SPEC.NO:47490		(SAA)
15	0.0000	PC		A76-18050-06505	CABLE;AC-CORD;LENGTH:180cm;VERSION:SAA;PLUG:HE105 ISOLATED;SAA H05VV-F 3x0.75mm2;CONN.HP-3;PANYU		(SAA)

Capacitor

	Quantity	Unit	S.Sku	M.Sku	Description	Reference Designators	Notes
1	2.0000	PC			CAP E;10uF;25V;PITCH:2mm5;5mm x 11mm;VERTICAL 12.7-15-9mm	[P0767:01: {2.0}(C14,C19)]	*NOT available in DP
2	1.0000	PC			CAP E;100uF;25V;PITCH:2mm5;6mm x 12mm;VERTICAL 12.7-15-9mm	[P0767:01: {1.0}(C15)]	*NOT available in DP
3	2.0000	PC			CAP E;1mF;35V;PITCH:5mm;13mm x 21mm;VERTICAL 12.7-15-9mm	[P0767:01: {2.0}(C16-C17)]	*NOT available in DP
4	1.0000	PC			CAP E;47uF;50V;PITCH:2mm5;6mm x 11mm;VERTICAL 12.7-15-9mm	[P0767:01: {1.0}(C18)]	*NOT available in DP
5	1.0000	PC			CAP E;100uF;10V;PITCH:2mm5;5mm x 11mm;PRECUT:3mm2 - 0/+0mm2	[P0767:01: {1.0}(C11)]	*NOT available in DP
6	9.0000	PC			CAP E;10uF;25V;PITCH:2mm5;5mm x 11mm;PRECUT:3mm2 - 0/+0mm2	[P0767:01: {9.0}(C12,C19,C27,C29,C34-C35,C45-C47)]	*NOT available in DP
7	2.0000	PC			CAP E;22uF;25V;PITCH:2mm5;5mm x 11mm;PRECUT:3mm2 - 0/+0mm2	[P0767:01: {1.0}(C4)]	*NOT available in DP
8	4.0000	PC			CAP E;220uF;25V;PITCH:3mm5;8mm x 12mm;PRECUT:3mm2 - 0/+0mm2	[P0767:01: {2.0}(C9-C10)]	*NOT available in DP
9	1.0000	PC			CAP E;470nF;63V;PITCH:2mm5;5mm x 11mm;PRECUT:3mm2 - 0/+0mm2	[P0767:01: {1.0}(C39)]	*NOT available in DP
10	1.0000	PC			CAP E;2uF2;63V;PITCH:2mm5;5mm x 11mm;PRECUT:3mm2 - 0/+0mm2	[P0767:01: {1.0}(C28)]	*NOT available in DP
11	2.0000	PC			CAP E;47uF;63V;PITCH:3mm5;8mm x 14mm;PRECUT:3mm2 - 0/+0mm2	[P0767:02: {2.0}(C2-C3)]	*NOT available in DP
12	2.0000	PC			CAP E;4mF7;100V;PITCH:10mm;30mm x 50mm;SNAP-IN	[LPA1550:01: {2.0}(C2,C7)]	*NOT available in DP
13	1.0000	PC			CAP CER;220pF;50V;10%;PITCH:5mm;DISC;PRECUT:3mm1 +/-0mm5	[P0767:01: {1.0}(C23)]	*NOT available in DP
14	2.0000	PC			CAP CER;470pF;50V;10%;PITCH:5mm;DISC;PRECUT:3mm1 +/-0mm5	[P0767:01: {2.0}(C24,C32)]	*NOT available in DP
15	1.0000	PC			CAP CER;15pF;50V;5%;CGO(NPO);SMT603	[P0767:01: {1.0}(C81)]	*NOT available in DP
16	1.0000	PC			CAP CER;20pF;50V;20%;SMT603	[P0767:01: {1.0}(C80)]	*NOT available in DP
17	1.0000	PC			CAP CER;47pF;50V;5%;COG(NPO);SMT603	[P0767:02: {1.0}(C58)]	*NOT available in DP
18	1.0000	PC			CAP CER;56pF;50V;10%;SMT603	[LPA1550:01: {1.0}(C30)]	*NOT available in DP
19	10.0000	PC			CAP CER;100pF;50V;20%;SMT603	[P0767:01: {3.0}(C74,C79,C82)]	*NOT available in DP
20	2.0000	PC			CAP CER;180pF;50V;10%;SMT603	[LPA1550:01: {2.0}(C27,C29)]	*NOT available in DP
21	4.0000	PC			CAP CER;470pF;50V;10%;SMT603	[P0767:01: {4.0}(C78,C91-C93)]	*NOT available in DP
22	1.0000	PC			CAP CER;680pF;50V;10%;SMT603	[P0767:01: {1.0}(C90)]	*NOT available in DP
23	2.0000	PC			CAP CER;1nF;50V;10%;SMT603	[P0767:01: {1.0}(C97)]	*NOT available in DP
24	2.0000	PC			CAP CER;2nF2;50V;10%;SMT603	[P0767:01: {1.0}(C76)]	*NOT available in DP
25	1.0000	PC			CAP CER;3nF3;50V;10%;SMT603	[P0767:01: {1.0}(C89)]	*NOT available in DP
26	1.0000	PC			CAP CER;4nF7;50V;10%;SMT603	[P0767:01: {1.0}(C75)]	*NOT available in DP
27	1.0000	PC			CAP CER;6nF8;50V;10%;SMT603	[P0767:01: {1.0}(C77)]	*NOT available in DP
28	2.0000	PC			CAP CER;10nF;50V;10%;SMT805	[P0767:01: {2.0}(C84,C87)]	*NOT available in DP
29	1.0000	PC			CAP CER;15nF;50V;10%;SMT805	[P0767:01: {1.0}(C72)]	*NOT available in DP
30	1.0000	PC			CAP CER;22nF;50V;10%;SMT805	[P0767:01: {1.0}(C69)]	*NOT available in DP
31	1.0000	PC			CAP CER;33nF;50V;10%;SMT805	[P0767:01: {1.0}(C86)]	*NOT available in DP
32	1.0000	PC			CAP CER;47nF;50V;20%;SMT805	[P0767:01: {1.0}(C83)]	*NOT available in DP
33	1.0000	PC			CAP CER;56nF;50V;10%;SMT805	[P0767:01: {1.0}(C71)]	*NOT available in DP
34	16.0000	PC			CAP CER;100nF;50V;X7R;10%;SMT805	[P0767:01: {11.0}(C63-C68,C73,C85,C88,C94-C95)]	*NOT available in DP
35	2.0000	PC			CAP CER;150nF;50V;10%;SMT805	[LPA1550:01: {2.0}(C25-C26)]	*NOT available in DP
36	1.0000	PC			CAP CER;220nF;50V;10%;SMT805	[P0767:01: {1.0}(C70)]	*NOT available in DP
37	2.0000	PC			CAP FILM;3nF3;63V;MPF;10%;PITCH:5mm;BOX;VERTICAL 12.7-15-9mm	[P0767:01: {2.0}(C8-C9)]	*NOT available in DP
38	2.0000	PC			CAP FILM;22nF;63V;MPF;10%;PITCH:5mm;BOX;VERTICAL 12.7-15-9mm	[LPA1550:01: {1.0}(C11)]	*NOT available in DP

	Quantity	Unit	S.Sku	M.Sku	Description	Reference Designators	Notes
39	1.0000	PC			CAP FILM;1nF;100V;MPF;10%;PITCH:5mm;BOX;VERTICAL 12.7-15-9mm	[P0767:01: {1.0}(C23)]	*NOT available in DP
40	2.0000	PC			CAP FILM;1nF;63V;MPF;10%;PITCH:5mm;BOX;PRECUT:3mm1 +/-0mm5	[P0767:01: {2.0}(C16,C30)]	*NOT available in DP
41	1.0000	PC			CAP FILM;10nF;63V;MPF;10%;PITCH:5mm;BOX;PRECUT:3mm1 +/-0mm5	[P0767:01: {1.0}(C31)]	*NOT available in DP
42	1.0000	PC			CAP FILM;15nF;63V;MPF;5%;PITCH:5mm;BOX;PRECUT:3mm1 +/-0mm5	[P0767:01: {1.0}(C25)]	*NOT available in DP
43	1.0000	PC			CAP FILM;33nF;63V;MPF;10%;PITCH:5mm;BOX;PRECUT:3mm1 +/-0mm5	[P0767:01: {1.0}(C15)]	*NOT available in DP
44	6.0000	PC			CAP FILM;100nF;63V;MPF;10%;PITCH:5mm;BOX;PRECUT:3mm1 +/-0mm5	[P0767:01: {6.0}(C18,C20,C22,C26,C37-C38)]	*NOT available in DP
45	1.0000	PC			CAP FILM;150nF;63V;MPF;5%;PITCH:5mm;BOX;PRECUT:3mm1 +/-0mm5	[P0767:01: {1.0}(C43)]	*NOT available in DP
46	2.0000	PC			CAP FILM;220nF;63V;MPF;10%;PITCH:5mm;BOX;PRECUT:3mm1 +/-0mm5	[P0767:01: {2.0}(C41,C44)]	*NOT available in DP
47	2.0000	PC			CAP FILM;4nF;63V;MPF;10%;PITCH:5mm;BOX;PRECUT:3mm1 +/-0mm5	[P0767:01: {2.0}(C33,C36)]	*NOT available in DP
48	1.0000	PC			CAP FILM;33nF;100V;MPF;10%;PITCH:5mm;BOX	[P0767:01: {1.0}(C42)]	*NOT available in DP
49	1.0000	PC			CAP E;BIPOLAR;10uF;50V;20%;SIZE:5mmx11mm;PITCH:2mm5;VERTICAL 12.7-15-9mm	[P0767:01: {1.0}(C12)]	*NOT available in DP
50	1.0000	PC			CAP E;4uF7;250V;PITCH:3mm5;8mm x 11mm5;PRECUT:3mm2 -0/+0mm2	[LPA1550:01: {1.0}(C10)]	*NOT available in DP
51	4.0000	PC			CAP E;47uF;450V;20%;PITCH:7mm5;18mm x 25mm;PRECUT:3mm2-0/+0mm2;105 C	[P0767:01: {4.0}(C59-C62)]	*NOT available in DP
52	1.0000	PC			CAP CER;56pF;200V;10%;PITCH:5mm;DISC;VERTICAL 12.7-15-9mm	[P0767:01: {1.0}(C13)]	*NOT available in DP
53	1.0000	PC			CAP FILM;68nF;250V;MPF;5%;PITCH:5mm;VERTICAL 12.7-15-9mm	[P0767:01: {1.0}(C1)]	*NOT available in DP
54	4.0000	PC			CAP FILM;47nF;250V;MPF;10%;PITCH:5mm;BOX;VERTICAL 12.7-15-9mm	[P0767:01: {4.0}(C3-C6)]	*NOT available in DP
55	2.0000	PC			CAP FILM;22nF;400V;MPF;10%;PITCH:5mm;PRECUT:3mm1 +/-0mm5	[P0767:01: {2.0}(C5,C7)]	*NOT available in DP
56	5.0000	PC			CAP FILM;100nF;400V;MPF;10%;PITCH:5mm;BOX	[P0767:01: {5.0}(C6,C8,C13-C14,C17)]	*NOT available in DP
57	2.0000	PC			CAP FILM;680nF;250V;MPF;10%;PITCH:22mm5;BOX;PRE-CUT:3.2+/-0.5mm	[P0767:01: {2.0}(C21,C40)]	*NOT available in DP
58	1.0000	PC	R12-31470-27368	B12-31470-27368	CAP X2;47nF;275V;10%;PITCH:15mm		(EU, UL, JP, UK, SAA, BR, AR, HM, SH, RU)
59	1.0000	PC	R12-31470-27368	B12-31470-27368	CAP X2;47nF;275V;10%;PITCH:15mm		

Circuit Protector

	Quantity	Unit	S.Sku	M.Sku	Description	Reference Designators	Notes
1	2.0000	PC	R21-15201-52000	B21-15201-52000	FUSE CLIP;2 A;V;ZINC PLATING;250V;SERIES;520;FUSE;250 V;PLATING		
2	2.0000	PC	R21-17311-53200	B21-17311-53200	FUSE CLIP;250V;SERIES;GSA/MDA;PLATING;ZINC		
3	1.0000	PC	R22-00514-12002	B22-00514-12002	FUSE;12A;250V;SLOW BLOW;6mm35 x 31mm8	[LPA1550:01: {1.0}(F1)]	
4	1.0000	PC	R22-01512-50001	B22-01512-50001	FUSE;500mA;250V;SLOW BLOW;H-TYPE;5mm x 20mm	[P0767:01: {1.0}(F1)]	
5	1.0000	PC	R22-01513-80001	B22-01513-80001	FUSE;8A;250V;SLOW BLOW;H-TYPE;5mm x 20mm		(UL, JP, BR, HM, SH)
6	2.0000	PC	R22-01513-10001	B22-01513-10001	FUSE;1A0;250V;SLOW BLOW;H-TYPE;5mm x 20mm		(EU, UL, JP, UK, SAA, BR, AR, HM, SH, RU)
7	2.0000	PC	R22-01513-10001	B22-01513-10001	FUSE;1A0;250V;SLOW BLOW;H-TYPE;5mm x 20mm		
8	1.0000	PC	R22-01513-80001	B22-01513-80001	FUSE;8A;250V;SLOW BLOW;H-TYPE;5mm x 20mm		
9	1.0000	PC	R22-01514-00001	B22-01514-00001	FUSE;4A;250V;SLOW BLOW;H-TYPE;5mm x 20mm		(EU, UK, SAA, AR, RU)
10	1.0000	PC	R22-01514-00001	B22-01514-00001	FUSE;4A;250V;SLOW BLOW;H-TYPE;5mm x 20mm		

Coil

	Quantity	Unit	S.Sku	M.Sku	Description	Reference Designators	Notes
1	1.0000	PC		B30-03002-23144	COIL;AIR RADIAL;3uH;PITCH:10mm;AWG13	[LPA1550:01: {1.0}(L1)]	
2	1.0000	PC		B41-25800-02223	COIL;800mH;SHIELDED;PCB;(3L ELECTRONIC;L-EE19-802K-CASE)	[P0767:01: {1.0}(L1)]	

Connector

	Quantity	Unit	S.Sku	M.Sku	Description	Reference Designators	Notes
1	1.0000	PC	R80-03440-44694	B80-14440-01101	CONNECTOR;SPEAKON;MALE;STRAIGHT;POLES:4;STYLE:NL4MDV;(C HUN-SHENG HP-01-EP)	[P0767:02: {1.0}(X7)]	
2	2.0000	PC	R84-30060-06009	B84-30060-06009	JACKET;FOR 6mm35 AMP CONNECTOR;PVC;STRAIGHT;DIAMETER:4mm		
3	2.0000	PC		B84-32050-05839	CRIMP CONNECTOR;AMP;RECEPTABLE;6mm3 x 7mm5;AWG 14-18;WIRE MOUNT;STRAIGHT;250 SERIES		
4	4.0000	PC	R84-39000-03120	B84-39000-03120	CONNECTOR;AMP;PCB;PCB MOUNT;PITCH:5mm;WIDTH:6mm3	[LPA1550:01: {2.0}(X12,X14)]	
5	1.0000	PC	R84-42050-00155	B84-42050-00155	CRIMP CONNECTOR;LUG;INNER DIA:4mm3;AWG 14-18;WIRE MOUNT;STRAIGHT		
6	1.0000	PC	R95-01320-03303	B95-01320-03303	CONNECTOR;XLR;SOCKET;MALE;STRAIGHT;POLES:3	[P0767:02: {1.0}(X8)]	

Diode

	Quantity	Unit	S.Sku	M.Sku	Description	Reference Designators	Notes
1	17.0000	PC			DIODE;1N4007;DO41	[P0767:01: {4.0}(D1-D4)]	*NOT available in DP
2	2.0000	PC			DIODE;1N4934;DO41; (ONLY CRYSTAL FIELD OR MCC)	[P0767:01: {2.0}(D15-D16)]	*NOT available in DP
3	31.0000	PC			DIODE;LL4148;LL34;TEMIC OR FC;SMD	[P0767:01: {13.0}(D8-D20)]	*NOT available in DP
4	2.0000	PC			DIODE;ZPD05V6;DO35;TEMIC OR FC	[LPA1550:01: {1.0}(D12)]	*NOT available in DP
5	4.0000	PC			DIODE;ZPD15V0;DO35;TEMIC OR FC	[LPA1550:01: {4.0}(D10-D11,D17-D18)]	*NOT available in DP
6	1.0000	PC			DIODE;ZD5V1;DO41	[P0767:01: {1.0}(D5)]	*NOT available in DP
7	4.0000	PC			DIODE;RECTIFIER;LT10A04;R-6	[LPA1550:01: {4.0}(D4-D7)]	*NOT available in DP

Hardware

	Quantity	Unit	S.Sku	M.Sku	Description	Reference Designators	Notes
1	0.2600	G			SCREWLOCK;SPEC.NO:01090		*NOT available in DP
2	1.0000	PC			HEX.NUT;M3;SURFACE:CR(III)		*NOT available in DP
3	1.0000	PC			HEX. NUT;INNER DIA;M4mm;SURFACE:ZINC		*NOT available in DP
4	1.0000	PC			HEX. NUT;INNER DIA;M6mm;SURFACE:ZINC		*NOT available in DP
5	8.0000	PC			HEX. NUT;FOR JACK;M 3/8in;HEXWRENCH:11mm;THICKNESS:2mm;SURFACE:NICKEL/SLV		*NOT available in DP
6	1.0000	PC			OCT. NUT;FOR JACK;3/8in;OCTWRENCH:14.5mm;THICKNESS:3.5mm;SURFACE:NICK EL/SILVER		*NOT available in DP
7	4.0000	PC		F87-00100-05056	RUBBER FOOT;P0455;SHAPE:ROUND;COLOR:BLK;DST.NO:001;DPT.NO:05056; (P0455-RUBBER-FOOTING-REVA.DWG)		RUBBER FOOT
8	4.0000	PC		F87-00100-09929	RUBBER FOOT;I00333P;DST.NO:001;DPT.NO:09929;(I00333P-RUBBER_FOOT-REVA.dwg)		RUBBER_FOOT
9	2.0000	PC		F87-01000-12070	PAD;RUBBER;6mm*2mm5;COLOR:BLK;DWG.NO:12070;(R14-GUITAR-RUBBERPAD-REVB.DWG)		
10	4.0000	PC	V87-02100-01979	F87-02100-01979	CAP;RUBBER;TUBE;COLOR:BLK;DWG.NO:01979;(R14-TUBE_GUM-REVA.DWG)		HOLDS THE TUBE AMPS
11	2.0000	PC			SCREW;FA4mm*12mm;HEAD:FLAT;INSERT:PHILLIPS REC.;SURFACE:ZINC/BLACK		*NOT available in DP
12	8.0000	PC			SCREW;M3mm*3mm;HEAD:PAN;INSERT:PHILIPS REC.;SURFACE:BLACK/ZINC		*NOT available in DP
13	1.0000	PC			SCREW;M3mm*6mm;HEAD:PAN;INSERT:PHILIPS REC.;SURFACE:SILVER/ZINC		*NOT available in DP
14	22.0000	PC			SCREW;M3mm*6mm;PITCH:0mm5;HEAD:FLAT;INSERT:PHILIPS REC.;SURFACE:BLACK/ZINC		*NOT available in DP
15	4.0000	PC			SCREW;BT3mm*8mm;HEAD:PAN;INSERT:PHILIPS REC.;SURFACE:ZINC		*NOT available in DP
16	4.0000	PC			SCREW;M3mm*8mm;HEAD:PAN;INSERT:PHILLIPS REC.;SURFACE:BLACK/ZINC		*NOT available in DP
17	6.0000	PC			SCREW;M3mm*8mm;HEAD:TRUSS;INSERT:CROSS;SURFACE:BLACK/Z INC;DIA=5.2mm		*NOT available in DP
18	2.0000	PC			SCREW;M3mm*8mm;PITCH:0mm5;HEAD:FLAT;INSERT:PHILIPS REC.;SURFACE:BLACK/ZINC		*NOT available in DP
19	4.0000	PC			SCREW;M3mm*10mm;HEAD:BINDING;INSERT:PHILIPS REC.;SURFACE:BLACK/ZINC		*NOT available in DP
20	2.0000	PC			SCREW;A3mm*10mm;HEAD:PAN;INSERT:PHILIPS REC.;SURFACE:BLACK/ZINC		*NOT available in DP
21	8.0000	PC			SCREW;M3mm*10mm;HEAD:PAN;INSERT:PHILIPS REC.;SURFACE:BLACK/ZINC		*NOT available in DP
22	2.0000	PC			SCREW;M4mm*6mm;HEAD:CHEESE;INSERT:HEXAGON REC.;SURFACE:SILVER/NICKEL		*NOT available in DP
23	4.0000	PC			SCREW;M4mm*10mm;HEAD:BINDING;INSERT:PHILIPS REC.;SURFACE:BLACK/ZINC		*NOT available in DP
24	1.0000	PC			SCREW;M4mm*10mm;HEAD:PAN;INSERT:PHILIPS REC.;SURFACE:SILVER/ZINC		*NOT available in DP
25	4.0000	PC			SCREW;M4mm*10mm;HEAD:PAN;INSERT:PHILIPS REC.;SURFACE:BLACK/ZINC		*NOT available in DP
26	4.0000	PC			SCREW;M4mm*16mm;HEAD:BINDING;INSERT:PHILIPS REC.;SURFACE:BLACK/ZINC		*NOT available in DP
27	4.0000	PC			SCREW;M5mm*8mm;HEAD:FLAT;INSERT:PHILIPS REC.;SURFACE:BLACK/ZINC		*NOT available in DP
28	4.0000	PC			SCREW;M5mm*22mm;HEAD:CHEESE;INSERT:HEX.REC.;SURFACE:SIL VER/ZINC		*NOT available in DP

	Quantity	Unit	S.Sku	M.Sku	Description	Reference Designators	Notes
29	1.0000	PC			SCREW;M6mm*70mm;HEAD:BINDING;INSERT:PHILIPS REC.;SURFACE:BLACK/ZINC		*NOT available in DP
30	2.0000	PC		F89-43000-00002	INSULATION SHEET;GLIMMER;TO220 W/HOLE;HOLE-DIAMETER:3MM1(IN-GLTO220_3MM1-REVA.DWG)		
31	1.0000	PC			METAL;FRONT SHIELD;P0767;DST.NO:002;DPT.NO:14689;(P0767-FRONT_SHIELD-REVB)		*NOT available in DP
32	1.0000	PC			SILICA GEL;MASS;20g;SPEC.NO:20QB-BB2001-4		*NOT available in DP
33	2.0000	PC			SPRING;CYLINDRICAL;FS112;6mm*14mm8;CARBON STEEL;DWG.NO:04288;(R14-FCB1010-SPRING-REVA.DWG)		*NOT available in DP
34	8.0000	PC			STUD;THREAD-DIA:3mm;LENGTH:5mm2;EXT/INT;EXT:5mm;		*NOT available in DP
35	0.0360	MM			SHRINKING TUBE;INNER DIA;2MM;SPEC NO:15747		*NOT available in DP
36	1.0000	PC			WASHER;9.7 MM;16 MM;NICKEL;WHITE;WASHER;FLAT;DIM:9.7*16*0.5mm;NIC		*NOT available in DP
37	14.0000	PC			WASHER;PLAIN;INNER DIA:3mm;OUTER DIA:6mm;THICKNESS;0mm5		*NOT available in DP
38	1.0000	PC			WASHER;PLAIN;INNER DIA:7mm;OUTER DIA:16mm;THICKNESS:2mm;SURFACE:ZINC/SILVER		*NOT available in DP
39	8.0000	PC			WASHER;PLAIN;INNER DIA:9mm6;OUTER DIA:13mm;THICKNESS;0mm5;PLATING:NICKEL		*NOT available in DP
40	4.0000	PC			WASHER;SPRING;INNER DIA:5mm;OUTER DIA:8mm;THICKNESS;1mm7;PLATING:CR(III)		*NOT available in DP
41	1.0000	PC			WASHER;SPRING;INNER DIA:6mm4;OUTER DIA:11mm8;THICKNESS;1mm3		*NOT available in DP
42	12.0000	PC			WASHER;EXTERNAL TEETH;INNER DIA:3mm;OUTER DIA:6mm;THICKNESS:0mm5		*NOT available in DP
43	2.0000	PC			WASHER;EXTERNAL TEETH;INNER DIA:4mm;OUTER DIA:7mm;THICKNESS;1mm7		*NOT available in DP
44	2.0000	PC			WASHER;EXTERNAL TEETH;INNER DIA:6mm;OUTER DIA:11mm;THICKNESS;0mm6		*NOT available in DP
45	1.0000	PC		F97-00100-09928	PLASTIC;MYLAR FOIL;P0767;DST.NO:001;DPT.NO:09928;(P0767-MYLAR_FOIL-REVA.dwf)		PCB INSULATION
46	1.0000	PC		F97-00100-09931	FADER FELT;P0767;DST.NO:001;DPT.NO:09931;(P0767-FADER_FELT-REVA.dwf)		DUST PROTECTION & AESTHETICS
47	1.0000	PC		F97-00100-14173	MYLAR SHEET;P0767;DST.NO:001;DPT.NO:14173;(P0767-MYLAR_SHEET-REVA.DWG)		
48	1.0000	PC		F97-00200-10346	PLASTIC;MYLAR FOIL;LPA1450;DST.NO:002;DPT.NO:10346;(LPA1450-MYLAR_FOIL-REVB.DWG)		PCB INSULATION
49	1.0000	PC		F97-17000-04145	SHEET;FOAM;FOOTSWITCH;FS112;W/ DURABLE ADHESIVE;DWG.NO:04145;(R14-GX112-FOAM-REVA.DWG)		
50	1.0000	PC			BUSHING;CABLE;FS112;NYLON;DWG.NO:04141;(R14-CABLEBUSHING-REVA.DWG)		*NOT available in DP
51	2.0000	PC			BUSHING;MINIATURE;NYLON;DWG.NO:27886;(R20-SC-PLA_NYLBUSHM3x1_4.DWG)		*NOT available in DP
52	4.0000	PC		F87-00100-05056	RUBBER FOOT;P0455;SHAPE:ROUND;COLOR:BLK;DST.NO:001;DPT.NO:05056;(P0455-RUBBER-FOOTING-REVA.DWG)		(EU, UL, JP, UK, SAA, BR, AR, HM, SH)
53	2.0000	PC			BUSHING;MINIATURE;NYLON;DWG.NO:27886;(R20-SC-PLA_NYLBUSHM3x1_4.DWG)		*NOT available in DP
54	1.0000	PC			HEX. NUT;INNER DIA;M4mm;SURFACE:ZINC		*NOT available in DP
55	4.0000	PC			SCREW;M4mm*10mm;HEAD:BINDING;INSERT:PHILIPS REC.;SURFACE:BLACK/ZINC		*NOT available in DP
56	1.0000	PC			WASHER;PLAIN;INNER DIA:7mm;OUTER DIA:16mm;THICKNESS:2mm;SURFACE:ZINC/SILVER		*NOT available in DP
57	1.0000	PC			SCREW;M6mm*70mm;HEAD:BINDING;INSERT:PHILIPS REC.;SURFACE:BLACK/ZINC		*NOT available in DP
58	4.0000	PC			SCREW;M3mm*10mm;HEAD:BINDING;INSERT:PHILIPS REC.;SURFACE:BLACK/ZINC		*NOT available in DP

	Quantity	Unit	S.Sku	M.Sku	Description	Reference Designators	Notes
59	2.0000	PC			SCREW;M3mm*4mm;HEAD:BINDING;INSERT:PHILIPS REC.;SURFACE:BLACK/ZINC		*NOT available in DP
60	1.0000	PC		F97-00100-09928	PLASTIC;MYLAR FOIL;P0767;DST.NO:001;DPT.NO:09928;(P0767-MYLAR_FOIL-REVA.dwf)		(EU, UL, JP, UK, SAA, BR, AR, HM, SH)
61	1.0000	PC		F97-00100-09931	FADER FELT;P0767;DST.NO:001;DPT.NO:09931;(P0767-FADER_FELT-REVA.dwf)		(EU, UL, JP, UK, SAA, BR, AR, HM, SH)
62	1.0000	PC		F97-00200-10346	PLASTIC;MYLAR FOIL;LPA1450;DST.NO:002;DPT.NO:10346;(LPA1450-MYLAR_FOIL-REVB.DWG)		(EU, UL, JP, UK, SAA, BR, AR, HM, SH)
63	1.0000	PC			SCREW;M4mm*10mm;HEAD:PAN;INSERT:PHILIPS REC.;SURFACE:SILVER/ZINC		*NOT available in DP
64	4.0000	PC		F87-00100-09929	RUBBER FOOT;I00333P;DST.NO:001;DPT.NO:09929;(I00333P-RUBBER_FOOT-REVA.dwf)		(EU, UL, JP, UK, SAA, BR, AR, HM, SH)
65	6.0000	PC			SCREW;M3mm*8mm;HEAD:TRUSS;INSERT:CROSS;SURFACE:BLACK/ZINC;DIA=5.2mm		*NOT available in DP
66	4.0000	PC			SCREW;M5mm*8mm;HEAD:FLAT;INSERT:PHILIPS REC.;SURFACE:BLACK/ZINC		*NOT available in DP
67	4.0000	PC			SCREW;M4mm*10mm;HEAD:PAN;INSERT:PHILIPS REC.;SURFACE:BLACK/ZINC		*NOT available in DP
68	4.0000	PC			CABLE TIE;WIDTH:3mm;LENGTH:220mm		*NOT available in DP
69	2.0000	PC			SCREW;A3mm*10mm;HEAD:PAN;INSERT:PHILIPS REC.;SURFACE:BLACK/ZINC		*NOT available in DP
70	4.0000	PC	V87-02100-01979	F87-02100-01979	CAP;RUBBER;TUBE;COLOR:BLK;DWG.NO:01979;(R14-TUBE_GUM-REVA.DWG)		(EU, UL, JP, UK, SAA, BR, AR, HM, SH)
71	4.0000	PC			CABLE TIE;WIDTH:3mm;LENGTH:220mm		*NOT available in DP
72	4.0000	PC			SCREW;M3mm*8mm;HEAD:PAN;INSERT:PHILLIPS REC.;SURFACE:BLACK/ZINC		*NOT available in DP
73	1.0000	PC			HEX. NUT;INNER DIA;M6mm;SURFACE:ZINC		*NOT available in DP
74	8.0000	PC			HEX. NUT;FOR JACK;M 3/8in;HEXWRENCH:11mm;THICKNESS:2mm;SURFACE:NICKEL/SLV		*NOT available in DP
75	2.0000	PC			SCREW;M3mm*4mm;HEAD:BINDING;INSERT:PHILIPS REC.;SURFACE:BLACK/ZINC		*NOT available in DP
76	1.0000	PC			WASHER;SPRING;INNER DIA:6mm4;OUTER DIA:11mm8;THICKNESS:1mm3		*NOT available in DP
77	2.0000	PC			WASHER;EXTERNAL TEETH;INNER DIA:6mm;OUTER DIA:11mm;THICKNESS;0mm6		*NOT available in DP
78	2.0000	PC			WASHER;EXTERNAL TEETH;INNER DIA:4mm;OUTER DIA:7mm;THICKNESS;1mm7		*NOT available in DP

Ic

	Quantity	Unit	S.Sku	M.Sku	Description	Reference Designators	Notes
1	2.0000	PC		C73-00000-29050	IC;OPAMP;SMD;SOP;8;BA4580RF	[LPA1550:01: {1.0}(IC4)]	
2	1.0000	PC	S73-22370-00516	C73-22370-00516	IC;OPAMP OPAMP;V13700M;SOP	[LPA1550:01: {1.0}(IC5)]	
3	4.0000	PC	S73-58007-40514	C73-31007-40514	IC;OPAMP OPAMP;TL074;SOP;	[P0767:01: {4.0}(IC6-IC9)]	
4	1.0000	PC	S73-58007-22208	C73-58007-22208	IC;OPAMP OPAMP;TL072;SOP;BRAND:ST ONLY	[P0767:01: {1.0}(IC4)]	
5	0.0000	PC	S73-59458-00508	C73-59458-00508	IC;OPAMP OPAMP;NJM4580;SOP		
6	1.0000	PC	S77-15107-03110	C77-15107-03110	IC;VOLT.REGULATOR;7915F;FULLPACK;TO220		
7	1.0000	PC	S77-15207-03110	C77-15207-03110	IC;VOLT.REGULATOR;7915F;FULLPACK;TO220		
8	1.0000	PC	T22-31001-40514	D22-31001-40514	IC;LOGIC;74HC14;SOP	[P0767:01: {1.0}(IC2)]	
9	1.0000	PC	T22-31007-40514	D22-31007-40514	IC;LOGIC;74HC74;SOP	[P0767:01: {1.0}(IC3)]	
10	1.0000	PC	T30-06405-30516	D30-06405-30516	IC;SWITCH/MUPLEX;CD4053-SB1;SOP;MOT/THOMSON ONLY;SOP	[P0767:01: {1.0}(IC5)]	

Led

	Quantity	Unit	S.Sku	M.Sku	Description	Reference Designators	Notes
1	1.0000	PC	U10-00000-28401	E10-00000-28401	LED H1B;3mm ROUND;AMBER;NORMAL BRIGHT;W/RING;LED;v:Typ.60mcd	[P0767:01: {1.0}(LD1)]	
2	4.0000	PC		E10-51605-02317	LED H1B;3mm ROUND;AMBER;NORMAL BRIGHT;NO RING;WAVELENGTH:605NM;304HDO06	[P0767:01: {4.0}(LD14-LD17)]	
3	1.0000	PC	U10-53565-00588	E10-53565-00588	LED H1B;3mm ROUND;GREEN	[LPA1550:01: {1.0}(LD1)]	
4	2.0000	PC	U10-53565-00589	E10-53565-00589	LED H1B;3mm ROUND;GREEN;3MM ROUND NO BOTTOM RING	[P0767:01: {2.0}(LD12-LD13)]	
5	6.0000	PC		E10-59585-00593	LED H1B;3mm ROUND;YELLOW;NO BOTTOM RING	[P0767:01: {6.0}(LD2-LD5,LD10-LD11)]	
6	1.0000	PC	U12-57630-00590	E12-57630-00590	LED;3mm ROUND;RD	[LPA1550:01: {1.0}(LD2)]	
7	4.0000	PC		E12-57630-00591	LED;RD;3mm ROUND NO BOTTOM RING	[P0767:01: {4.0}(LD6-LD9)]	

Metal Part

	Quantity	Unit	S.Sku	M.Sku	Description	Reference Designators	Notes
1	2.0000	PC		A62-00100-09924	METAL;SIDE BRACKET;P0767;DST.NO:001;DPT.NO:09924;(P0767-SIDE_BRACKET-REVA.dwf)		
2	1.0000	PC		A62-00300-00432	METAL;TRANSFORMER-SPACER;BX3000T;DST.NO:003;DPT.NO:00432;(BX3000T-TRAN-SPACER-REVC.DWG)		TRANSFORMER SPACER
3	1.0000	PC		A62-00300-13403	METAL;TUBE BRACKET;P0767;DST.NO:003;DPT.NO:13403;(P0767-TUBE_BRACKET-REVC.DWG)		HOLDS PLA-TUBE RUBBER CAP
4	1.0000	PC		A62-07400-18216	METAL;BOTTOM;FS112G;BLACK;DWG.NO:18216;(R14-GX-FOOTBOTTOM-REVC.DWG)		
5	1.0000	PC		A63-00100-09922	METAL;HEATSINK;P0767;DST.NO:001;DPT.NO:09922;(P0767-HEATSINK-REVA.dwf)		
6	2.0000	PC		A65-00100-09919	METAL;HANDLE;I00332P;DST.NO:001;DPT.NO:09919;(I00332P-HANDLE-REVA.dwf)		
7	1.0000	PC		A65-09000-25912	METAL;FAN GUARD;DIAMETER:80mm;TYP;G;NO:01;SPEC.NO:25912		FAN GUARD
8	2.0000	PC		A65-15000-04134	METAL;SPACER;LENGTH:4mm4;HOLE DIA:3mm5;DWG.NO:04134;(R14-FS112-SPACER-REVA.DWG)		
9	2.0000	PC		A65-21700-15300	METAL;FAN SCREW HOLDER;GX-SERIES BX-SERIES;SECC;BLACK;DWG.NO:15300;(R14-FAN-8080-HOLDER-REVB.DWG)		
10	1.0000	PC		J02-00300-12214	METAL;REAR PANEL;P0767;PRINTED;FST.NO:003;DPT.NO:12214;(P0767-REAR_PANEL-REVB.DWG)		HOLDS REAR ASSEMBLY
11	1.0000	PC		J02-00500-09921	METAL;FRONT PANEL;P0767;PRINTED;FST.NO:005;DPT.NO:09921;(P0767-FRONT_PANEL-REVA.DWG)		FRONT_PANEL
12	1.0000	PC		J02-00500-12215	METAL;FRONT AL PANEL;P0767;PRINTED;FST.NO:005;DPT.NO:12215;(P0767-FRONT_AL_PANEL-REVA.DWG)		
13	1.0000	PC		J02-01300-18217	METAL;COVER;POA5W;BLACK;PRINTED;FST.NO:013;DPT.NO:18217;(GX-FOOTPEDALCOVER-REVD.DWG)		
14	1.0000	PC		A62-00100-09925	METAL;TOP COVER;P0767;DST.NO:001;DPT.NO:09925;(P0767-TOP_COVER-REVA.dwf)		(EU, UL, JP, UK, SAA, BR, AR, HM, SH, RU)
15	1.0000	PC		A62-00300-13403	METAL;TUBE BRACKET;P0767;DST.NO:003;DPT.NO:13403;(P0767-TUBE_BRACKET-REVC.DWG)		(EU, UL, JP, UK, SAA, BR, AR, HM, SH)
16	1.0000	PC		J02-00500-09921	METAL;FRONT PANEL;P0767;PRINTED;FST.NO:005;DPT.NO:09921;(P0767-FRONT_PANEL-REVA.DWG)		(EU, UL, JP, UK, SAA, BR, AR, HM, SH)
17	1.0000	PC		A62-00300-00432	METAL;TRANSFORMER-SPACER;BX3000T;DST.NO:003;DPT.NO:00432;(BX3000T-TRAN-SPACER-REVC.DWG)		(EU, UL, JP, UK, SAA, BR, AR, HM, SH)
18	1.0000	PC		A62-00100-09925	METAL;TOP COVER;P0767;DST.NO:001;DPT.NO:09925;(P0767-TOP_COVER-REVA.dwf)		
19	1.0000	PC		A65-09000-25912	METAL;FAN GUARD;DIAMETER:80mm;TYP;G;NO:01;SPEC.NO:25912		(EU, UL, JP, UK, SAA, BR, AR, HM, SH)
20	1.0000	PC		J02-00300-12214	METAL;REAR PANEL;P0767;PRINTED;FST.NO:003;DPT.NO:12214;(P0767-REAR_PANEL-REVB.DWG)		(EU, UL, JP, UK, SAA, BR, AR, HM, SH)

Plastic Part

	Quantity	Unit	S.Sku	M.Sku	Description	Reference Designators	Notes
1	6.0000	PC		G52-00200-10973	PLASTIC;POT KNOB;I00138P;DST.NO:002;DPT.NO:10973;(I00138P-POT_KNOB-REVB.DWG)		FOR POT KNOBS
2	1.0000	PC		G52-00200-10995	PLASTIC;POT KNOB;I00141P;DST.NO:002;DPT.NO:10995;(I00141P-POT_KNOB-REVB.DWG)		FOR POT KNOBS
3	1.0000	PC	W52-00300-02453	G52-00300-02453	KNOB;PMX-SERIES;GAIN POTENTIOMETER;DST.NO:003;DPT.NO:02453;(PMX-GAINKNOB-REVC.DWG)		GAINKNOB
4	6.0000	PC	W52-00400-05276	G52-00400-05276	KNOB;SWITCH 1;MINI-SERIES;DST.NO:004;DPT.NO:05276;(I00040P-SWITCH_BUTTON1-REVD.DWG)		
5	2.0000	PC	W52-00500-09353	G52-00500-09353	KNOB;SWITCH;UB-S;DST.NO:005;DPT.NO:09353;(UB-S_SWKNOB-REVE.DWG)		SWITCH KNOBS
6	2.0000	PC	W52-80500-09382	G52-80500-09382	KNOB;SWITCH;FOOTPEDALS;BLACK;DWG.NO:09382;(R14-GUITAR-SWITCHKNOB1-REVA.DWG)		
7	2.0000	PC	W53-14000-01976	G53-14000-01976	PLASTIC;SPACER;ABS;BLACK;LENGTH:14MM2;(SWITCHSPACER14_2 MM.DWG)		SWITCH KNOBS PLASTIC SPACERS
8	1.0000	PC		G58-00200-00919	PLASTIC;SPACER;P0060;MOULDING;BLACK;TYP:6;DST.NO:002;DPT.N O:00919;(LED-SPACER23MM-REVB.DWG)		LEDSPACER
9	3.0000	PC		G58-00200-11704	PLASTIC;SPACER LED REC;I00355P;DST.NO:002;DPT.NO:11704;(I00355P-SPACER_LED_REC-REVB.DWG)		
10	6.0000	PC		G58-00400-07922	PLASTIC;GUIDE;P0370;ABS PA757;BLACK;DST.NO:004;DPT.NO:7922;(BXL450A-SWITCH_GUIDE-REVD.DWG)		GUIDE FOR SWITCH BUTTONS
11	3.0000	PC		G58-00500-11675	LED CAP;2CAVITIES;3mm LED;BLACK;DST.NO:005;DPT.NO:11675;(R20-PRO-2HOLELEDHOLDER-REVE.DWG)		
12	1.0000	PC		G58-35300-06241	PLASTIC;GASKET;P0077;GX212 GX2000;RUBBER HEATSINK;DWG.NO:06241;(R14-HSGASKET1-REVB.DWG)		FAN GASKET
13	2.0000	PC		G58-53000-25624	PLASTIC;BASE;P0089;ABS;YS1285A;BLACK;FS112 FS114 FCB1010;COLOR:BLK;DWG.NO:25624;(R14-GUITAR-SWITCHBASE1-REVB.DWG)		
14	2.0000	PC	W53-14000-01976	G53-14000-01976	PLASTIC;SPACER;ABS;BLACK;LENGTH:14MM2;(SWITCHSPACER14_2 MM.DWG)		(EU, UL, JP, UK, SAA, BR, AR, HM, SH)
15	1.0000	PC		G58-00200-00919	PLASTIC;SPACER;P0060;MOULDING;BLACK;TYP:6;DST.NO:002;DPT.N O:00919;(LED-SPACER23MM-REVB.DWG)		(EU, UL, JP, UK, SAA, BR, AR, HM, SH)
16	1.0000	PC	W52-00300-02453	G52-00300-02453	KNOB;PMX-SERIES;GAIN POTENTIOMETER;DST.NO:003;DPT.NO:02453;(PMX-GAINKNOB-REVC.DWG)		(EU, UL, JP, UK, SAA, BR, AR, HM, SH)
17	6.0000	PC		G52-00200-10973	PLASTIC;POT KNOB;I00138P;DST.NO:002;DPT.NO:10973;(I00138P-POT_KNOB-REVB.DWG)		(EU, UL, JP, UK, SAA, BR, AR, HM, SH)
18	1.0000	PC		G52-00200-10995	PLASTIC;POT KNOB;I00141P;DST.NO:002;DPT.NO:10995;(I00141P-POT_KNOB-REVB.DWG)		(EU, UL, JP, UK, SAA, BR, AR, HM, SH)
19	6.0000	PC		G58-00400-07922	PLASTIC;GUIDE;P0370;ABS PA757;BLACK;DST.NO:004;DPT.NO:7922;(BXL450A-SWITCH_GUIDE-REVD.DWG)		(EU, UL, JP, UK, SAA, BR, AR, HM, SH)
20	1.0000	PC		G58-35300-06241	PLASTIC;GASKET;P0077;GX212 GX2000;RUBBER HEATSINK;DWG.NO:06241;(R14-HSGASKET1-REVB.DWG)		(EU, UL, JP, UK, SAA, BR, AR, HM, SH)
21	2.0000	PC	W52-00500-09353	G52-00500-09353	KNOB;SWITCH;UB-S;DST.NO:005;DPT.NO:09353;(UB-S_SWKNOB-REVE.DWG)		(EU, UL, JP, UK, SAA, BR, AR, HM, SH)

Plug Socket

	Quantity	Unit	S.Sku	M.Sku	Description	Reference Designators	Notes
1	1.0000	PC	W61-65208-03288	G61-65208-03288	BOX HEADER;POLES:08;2 ROW;STRAIGHT;PITCH:2mm54;SCM-08S	[LPA1550:01: {1.0}(X11)]	
2	1.0000	PC	W61-65214-03291	G61-65214-03291	BOX HEADER;POLES:14;2 ROW;STRAIGHT;PITCH:2mm54;SCM-14S	[P0767:02: {1.0}(X24)]	
3	1.0000	PC	W61-75208-05767	G61-75208-05767	CABLE HEADER;POLES:8;2 ROW;IDE;STRAIGHT;PITCH:2mm54;FC-8P		
4	1.0000	PC		G61-75214-05288	CABLE HEADER;POLES:14;2 ROW;IDE;STRAIGHT;PITCH:2mm54;FC-14P		
5	1.0000	PC	W61-85208-08163	G61-85208-08163	TRANSITION PLUG;FLAT CABLE;POLES:8;ROWS:2;STRAIGHT;PITCH:2mm54;BLACK;FD-08P		
6	1.0000	PC		G61-85214-08163	TRANSITION PLUG;FLAT CABLE;POLES:14;ROWS:2;STRAIGHT;PITCH:2mm54;BLACK;FD-14P		
7	7.0000	PC	W64-01211-03174	G64-01211-03174	PLUG;JACK STEREO 6mm3;STRAIGHT SOLDER;W/O MET.RNG.;MET.BUSH.;NO NUT/WASHER;(JY-6351G-02-250)	[P0767:01: {1.0}(X15)]	
8	2.0000	PC	W64-16112-00062	G64-16112-00062	PLUG;JACK MONO 6mm3;STRAIGHT SOLDER;DUAL TIP/NO RING CONTACTS;MET.BUSH.;NO NUT/WASHER;(CHUNSHENG PJ-636HA)	[P0767:02: {2.0}(X9-X10)]	
9	1.0000	PC	W71-24102-20590	G71-24102-20590	WAFER;POLES:2;STRAIGHT;PITCH:2.5 mm;1 ROW;JS1001-02	[LPA1550:01: {1.0}(X4)]	
10	1.0000	PC	W71-27102-04450	G71-27102-04450	WAFER;POLES:2;STRAIGHT;PITCH:3.96 mm;1 ROW;JS1120-03-S1;NO MIDDLE PIN	[P0767:01: {1.0}(X26)]	
11	1.0000	PC		G71-27103-04449	WAFER;POLES:3;STRAIGHT;PITCH:3.96 mm;1 ROW;JS1120-03	[LPA1550:01: {1.0}(X13)]	
12	4.0000	PC		G73-18509-25299	SOCKET;TUBESOCKET9P;POLES:09;PLATING;VACUUM TUBE;12AX7;CERAMIC;COLOR:WHT;ZINC;GZC9-A;VERSION2		
13	1.0000	PC		G67-20103-01421	PLUG;AC SOCK;W FUSE;COLOR:BLK;POLES:03;JACKSON JR-101-1F)		(EU, UL, JP, UK, SAA, BR, AR, HM, SH, RU)
14	1.0000	PC		G67-20103-01421	PLUG;AC SOCK;W FUSE;COLOR:BLK;POLES:03;JACKSON JR-101-1F)		
15	1.0000	PC	W67-20103-01396	G67-20103-01396	PLUG;AC SOCK;W FUSE;COLOR:BLK;POLES:03;(RONG-FENG RF-2004-C-4.8)		(RU)
16	0.0000	PC	W67-20103-01396	G67-20103-01396	PLUG;AC SOCK;W FUSE;COLOR:BLK;POLES:03;(RONG-FENG RF-2004-C-4.8)		(EU, UL, JP, UK, SAA, BR, AR, HM, SH)
17	0.0000	PC	W67-20103-01396	G67-20103-01396	PLUG;AC SOCK;W FUSE;COLOR:BLK;POLES:03;(RONG-FENG RF-2004-C-4.8)		

Power Supply

	Quantity	Unit	S.Sku	M.Sku	Description	Reference Designators	Notes
1	1.0000	PC	Z68-67674-05206	J68-67674-05206	TRAFO;TOROID;P0767;EU 230V;(EAGLERISE B19254N1)		(EU, UK, SAA, AR, RU)
2	0.0000	PC		J68-97675-00486	TRAFO;TOROID;P0767;UL 120V;(NRE TR07-0029(R1L))		(UL, BR)
3	1.0000	PC	Z68-67674-05206	J68-67674-05206	TRAFO;TOROID;P0767;EU 230V;(EAGLERISE B19254N1)		
4	0.0000	PC		J68-97674-00279	TRAFO;TOROID;P0767;EU 230V;(NRE TR07-0028(R1L))		(EU, UK, SAA, AR)
5	0.0000	PC		J68-97674-00279	TRAFO;TOROID;P0767;EU 230V;(NRE TR07-0028(R1L))		
6	1.0000	PC		J68-97674-00279	TRAFO;TOROID;P0767;EU 230V;(NRE TR07-0028(R1L))		(RU)
7	0.0000	PC		J68-97674-00279	TRAFO;TOROID;P0767;EU 230V;(NRE TR07-0028(R1L))		
8	1.0000	PC	Z68-67677-05208	J68-67677-05208	TRAFO;TOROID;P0767;JP 100V;(EAGLERISE B19683N1)		(JP, HM, SH)
9	0.0000	PC		J68-97675-00486	TRAFO;TOROID;P0767;UL 120V;(NRE TR07-0029(R1L))		
10	1.0000	PC	Z68-67674-05206	J68-67674-05206	TRAFO;TOROID;P0767;EU 230V;(EAGLERISE B19254N1)		
11	1.0000	PC	Z68-67675-05207	J68-67675-05207	TRAFO;TOROID;P0767;UL 120V;(EAGLERISE B19684N1)		(UL, BR)
12	0.0000	PC		J68-97677-01124	TRAFO;TOROID;P0767;JP100V;(NRE TR07-0030(R1L))		(JP, HM, SH)
13	1.0000	PC	Z68-67675-05207	J68-67675-05207	TRAFO;TOROID;P0767;UL 120V;(EAGLERISE B19684N1)		

Resistor

	Quantity	Unit	S.Sku	M.Sku	Description	Reference Designators	Notes
1	1.0000	PC			RESISTOR;CARBON;13Kohm;5%;0W063;SMD603	[P0767:01:{1.0}(R85)]	*NOT available in DP
2	2.0000	PC			RESISTOR;CARBON;100ohm;5%;0W063;SMD603	[LPA1550:01:{2.0}(R54-R55)]	*NOT available in DP
3	6.0000	PC			RESISTOR;CARBON;1Kohm;5%;0W063;SMD603	[P0767:01:{4.0}(R74,R82,R86,R134)]	*NOT available in DP
4	3.0000	PC			RESISTOR;CARBON;1Kohm5;5%;0W063;SMD603	[P0767:01:{3.0}(R65,R119,R126)]	*NOT available in DP
5	5.0000	PC			RESISTOR;CARBON;1Kohm8;5%;0W063;SMD603	[P0767:01:{5.0}(R77-R78,R81,R122-R123)]	*NOT available in DP
6	7.0000	PC			RESISTOR;CARBON;2Kohm2;5%;0W063;SMD603	[P0767:01:{3.0}(R70,R73,R132)]	*NOT available in DP
7	2.0000	PC			RESISTOR;CARBON;3Kohm;5%;0W063;SMD603	[LPA1550:01:{2.0}(R53,R59)]	*NOT available in DP
8	2.0000	PC			RESISTOR;CARBON;3Kohm3;5%;0W063;SMD603	[P0767:01:{2.0}(R130,R133)]	*NOT available in DP
9	2.0000	PC			RESISTOR;CARBON;6Kohm8;5%;0W063;SMD603	[P0767:01:{2.0}(R127-R128)]	*NOT available in DP
10	2.0000	PC			RESISTOR;CARBON;7Kohm5;5%;0W063;SMD603	[P0767:01:{1.0}(R98)]	*NOT available in DP
11	12.0000	PC			RESISTOR;CARBON;10Kohm;5%;0W063;SMD603	[P0767:01:{5.0}(R50,R108-R109,R129,R131)]	*NOT available in DP
12	1.0000	PC			RESISTOR;CARBON;15Kohm;5%;0W063;SMD603	[P0767:01:{1.0}(R110)]	*NOT available in DP
13	2.0000	PC			RESISTOR;CARBON;18Kohm;5%;0W063;SMD603	[P0767:01:{2.0}(R136-R137)]	*NOT available in DP
14	3.0000	PC			RESISTOR;CARBON;20Kohm;5%;0W063;SMD603	[P0767:01:{1.0}(R107)]	*NOT available in DP
15	2.0000	PC			RESISTOR;CARBON;22Kohm;5%;0W063;SMD603	[P0767:01:{2.0}(R89,R115)]	*NOT available in DP
16	1.0000	PC			RESISTOR;CARBON;33Kohm;5%;0W063;SMD603	[P0767:01:{1.0}(R116)]	*NOT available in DP
17	3.0000	PC			RESISTOR;CARBON;39Kohm;5%;0W063;SMD603	[P0767:01:{2.0}(R135,R138)]	*NOT available in DP
18	5.0000	PC			RESISTOR;CARBON;47Kohm;5%;0W063;SMD603	[P0767:01:{5.0}(R57,R61,R71-R72,R99)]	*NOT available in DP
19	4.0000	PC			RESISTOR;CARBON;68Kohm;5%;0W063;SMD603	[P0767:01:{4.0}(R59,R62,R91,R106)]	*NOT available in DP
20	9.0000	PC			RESISTOR;CARBON;100Kohm;5%;0W063;SMD603	[P0767:01:{9.0}(R60,R66-R68,R75,R80,R84,R118,R120)]	*NOT available in DP
21	4.0000	PC			RESISTOR;CARBON;120Kohm;5%;0W063;SMD603	[P0767:01:{4.0}(R76,R83,R97,R125)]	*NOT available in DP
22	4.0000	PC			RESISTOR;CARBON;150Kohm;5%;0W063;SMD603	[P0767:01:{4.0}(R79,R117,R121,R124)]	*NOT available in DP
23	4.0000	PC			RESISTOR;CARBON;220Kohm;5%;0W063;SMD603	[P0767:01:{4.0}(R63-R64,R90,R114)]	*NOT available in DP
24	7.0000	PC			RESISTOR;CARBON;470Kohm;5%;0W063;SMD603	[P0767:01:{5.0}(R69,R93-R96)]	*NOT available in DP
25	2.0000	PC			RESISTOR;CARBON;1Mohm;5%;0W063;SMD603	[P0767:01:{2.0}(R92,R111)]	*NOT available in DP
26	4.0000	PC			RESISTOR;CARBON;3Mohm3;5%;0W063;SMD603	[P0767:01:{4.0}(R58,R88,R112-R113)]	*NOT available in DP
27	1.0000	PC			RESISTOR;METAL;4Kohm75;1%;0W063;SMD603	[LPA1550:01:{1.0}(R52)]	*NOT available in DP
28	1.0000	PC			RESISTOR;METAL;68Kohm;1%;0W063;SMD603	[P0767:01:{1.0}(R87)]	*NOT available in DP
29	1.0000	PC			RESISTOR;METAL;390Kohm;1%;0W063;SMD603	[LPA1550:01:{1.0}(R44)]	*NOT available in DP
30	1.0000	PC			RESISTOR;CARBON;47ohm;5%;0W1;SMD805	[LPA1550:01:{1.0}(R39)]	*NOT available in DP
31	1.0000	PC			RESISTOR;CARBON;100ohm;5%;0W1;SMD805	[LPA1550:01:{1.0}(R47)]	*NOT available in DP
32	2.0000	PC			RESISTOR;CARBON;150ohm;5%;0W1;SMD805	[P0767:01:{2.0}(R49,R54)]	*NOT available in DP
33	3.0000	PC			RESISTOR;CARBON;270ohm;5%;0W1;SMD805	[LPA1550:01:{3.0}(R34-R35,R43)]	*NOT available in DP
34	4.0000	PC			RESISTOR;CARBON;300ohm;5%;0W1;SMD805	[P0767:01:{2.0}(R55-R56)]	*NOT available in DP
35	1.0000	PC			RESISTOR;CARBON;820ohm;5%;0W1;SMD805	[LPA1550:01:{1.0}(R50)]	*NOT available in DP
36	1.0000	PC			RESISTOR;CARBON;1Kohm2;5%;0W1;SMD805	[P0767:01:{1.0}(R101)]	*NOT available in DP
37	4.0000	PC			RESISTOR;CARBON;1Kohm6;5%;0W1;SMD805	[LPA1550:01:{4.0}(R36,R40-R42)]	*NOT available in DP
38	2.0000	PC			RESISTOR;CARBON;2Kohm;5%;0W1;SMD805	[LPA1550:01:{2.0}(R28,R32)]	*NOT available in DP
39	2.0000	PC			RESISTOR;CARBON;4Kohm7;5%;0W1;SMD805	[P0767:01:{2.0}(R103,R105)]	*NOT available in DP
40	2.0000	PC			RESISTOR;CARBON;6Kohm8;5%;0W1;SMD805	[LPA1550:01:{2.0}(R26-R27)]	*NOT available in DP
41	2.0000	PC			RESISTOR;CARBON;10Kohm;5%;0W1;SMD805	[P0767:01:{2.0}(R102,R104)]	*NOT available in DP
42	2.0000	PC			RESISTOR;CARBON;150Kohm;5%;0W1;SMD805	[LPA1550:01:{2.0}(R30,R33)]	*NOT available in DP
43	3.0000	PC			RESISTOR;CARBON;220Kohm;5%;0W1;SMD805	[LPA1550:01:{3.0}(R31,R37,R48)]	*NOT available in DP
44	1.0000	PC			RESISTOR;CARBON;470Kohm;5%;0W1;SMD805	[P0767:01:{1.0}(R53)]	*NOT available in DP
45	3.0000	PC			RESISTOR;CARBON;1Mohm;5%;0W1;SMD805	[P0767:01:{3.0}(R51-R52,R100)]	*NOT available in DP

	Quantity	Unit	S.Sku	M.Sku	Description	Reference Designators	Notes
46	1.0000	PC			RESISTOR;METAL;487Kohm;1%;0W1;SMD805	[LPA1550:01: {1.0}(R38)]	*NOT available in DP
47	1.0000	PC	Y04-15000-20589	I04-15000-20589	THERMISTOR;NTC;50ohm		
48	1.0000	PC	Y04-21001-29294	I04-21001-29294	THERMISTOR;PTC;100ohm;PTLS2101YP616Y		
49	1.0000	PC			RESISTOR;TRIMMER;100ohm;REVERSE PINS;5mm x 2mm5;RADIAL;T100E5 x 2.5V2	[LPA1550:01: {1.0}(VR1)]	*NOT available in DP
50	2.0000	PC			RESISTOR;TRIMMER;2Kohm2;REVERSE PINS;5mm x 2mm5;RADIAL;T002K2-5 x 2.5V2	[LPA1550:01: {2.0}(VR2-VR3)]	*NOT available in DP
51	1.0000	PC			RESISTOR;CARBON;1Kohm2;5%;0W25;LEAD WIRE;HORIZONTAL 26-6mm	[P0767:01: {1.0}(R61)]	*NOT available in DP
52	4.0000	PC			RESISTOR;CARBON;10Kohm;5%;0W25;LEAD WIRE;HORIZONTAL 26-6mm	[LPA1550:01: {1.0}(R65)]	*NOT available in DP
53	2.0000	PC			RESISTOR;METAL;150Kohm;1%;0W25;LEAD WIRE;HORIZONTAL 26-6mm	[P0767:01: {2.0}(R17,R20)]	*NOT available in DP
54	1.0000	PC			RESISTOR;CARBON;330ohm;5%;0W25;LEAD WIRE	[P0767:01: {1.0}(R26)]	*NOT available in DP
55	1.0000	PC			RESISTOR;CARBON;820ohm;5%;0W25;LEAD WIRE	[P0767:01: {1.0}(R19)]	*NOT available in DP
56	1.0000	PC			RESISTOR;CARBON;1Kohm;5%;0W25;LEAD WIRE	[P0767:01: {1.0}(R37)]	*NOT available in DP
57	2.0000	PC			RESISTOR;CARBON;1Kohm5;5%;0W25;LEAD WIRE	[P0767:01: {2.0}(R12,R21)]	*NOT available in DP
58	1.0000	PC			RESISTOR;CARBON;2Kohm7;5%;0W25;LEAD WIRE	[P0767:01: {1.0}(R35)]	*NOT available in DP
59	1.0000	PC			RESISTOR;CARBON;3Kohm3;5%;0W25;LEAD WIRE	[P0767:01: {1.0}(R22)]	*NOT available in DP
60	2.0000	PC			RESISTOR;CARBON;4Kohm7;5%;0W25;LEAD WIRE	[P0767:01: {2.0}(R23,R29)]	*NOT available in DP
61	1.0000	PC			RESISTOR;CARBON;10Kohm;5%;0W25;LEAD WIRE	[P0767:01: {1.0}(R15)]	*NOT available in DP
62	2.0000	PC			RESISTOR;CARBON;22Kohm;5%;0W25;LEAD WIRE	[P0767:01: {2.0}(R34,R38)]	*NOT available in DP
63	1.0000	PC			RESISTOR;CARBON;51Kohm;5%;0W25;LEAD WIRE	[P0767:01: {1.0}(R139)]	*NOT available in DP
64	6.0000	PC			RESISTOR;CARBON;220Kohm;5%;0W25;LEAD WIRE	[P0767:01: {6.0}(R13,R24-R25,R28,R33,R36)]	*NOT available in DP
65	3.0000	PC			RESISTOR;CARBON;1Mohm;5%;0W25;LEAD WIRE	[P0767:01: {3.0}(R7,R14,R20)]	*NOT available in DP
66	6.0000	PC			RESISTOR;METAL;100Kohm;1%;0W25;LEAD WIRE	[P0767:01: {6.0}(R1,R3,R6,R17-R18,R27)]	*NOT available in DP
67	1.0000	PC			RESISTOR;METAL;220Kohm;1%;0W25;LEAD WIRE	[P0767:01: {1.0}(R4)]	*NOT available in DP
68	2.0000	PC			RESISTOR;METAL;470Kohm;1%;0W25;LEAD WIRE	[P0767:01: {2.0}(R2,R5)]	*NOT available in DP
69	1.0000	PC			RESISTOR;METAL;10Kohm;1%;0W5;LEAD WIRE	[LPA1550:01: {1.0}(R21)]	*NOT available in DP
70	3.0000	PC			RESISTOR;CARBON;6ohm8;5%;1W;LEAD WIRE	[LPA1550:01: {3.0}(R13-R14,R25)]	*NOT available in DP
71	2.0000	PC			RESISTOR;CARBON;9ohm1;5%;1W;LEAD WIRE	[P0767:01: {2.0}(R30-R31)]	*NOT available in DP
72	1.0000	PC			RESISTOR;CARBON;270ohm;5%;1W;LEAD WIRE	[P0767:01: {1.0}(R32)]	*NOT available in DP
73	1.0000	PC			RESISTOR;CARBON;27Kohm;5%;1W;LEAD WIRE	[P0767:01: {1.0}(R8)]	*NOT available in DP
74	2.0000	PC			RESISTOR;METAL;22ohm;1%;1W;LEAD WIRE;FLAME PROOF	[LPA1550:01: {2.0}(R11-R12)]	*NOT available in DP
75	1.0000	PC			RESISTOR;CARBON;56Kohm;5%;2W;LEAD WIRE	[P0767:01: {1.0}(R9)]	*NOT available in DP
76	1.0000	PC			RESISTOR;CEMENT;5ohm6;5%;2W;LEAD WIRE;RADIAL;PITCH:5mm;PRECUT:3mm1+/-0mm5	[LPA1550:01: {1.0}(R5)]	*NOT available in DP
77	2.0000	PC			RESISTOR;CEMENT;15ohm;5%;2W;LEAD WIRE;RADIAL;PITCH:5mm;PRECUT:3mm1+/-0mm5	[LPA1550:01: {2.0}(R3-R4)]	*NOT available in DP
78	1.0000	PC			RESISTOR;CEMENT;220ohm;5%;2W;LEAD WIRE;RADIAL;PITCH:5mm;PRECUT:3mm1+/-0mm5	[LPA1550:01: {1.0}(R6)]	*NOT available in DP
79	1.0000	PC			RESISTOR;CEMENT;15Kohm;5%;2W;LEAD WIRE;RADIAL;PITCH:5mm;PRECUT:3mm1+/-0mm5	[LPA1550:01: {1.0}(R19)]	*NOT available in DP
80	2.0000	PC			RESISTOR;LEAD WIRE;AXIAL;2Kohm;5%;METAL OXIDE;2W	[P0767:01: {2.0}(R10-R11)]	*NOT available in DP
81	6.0000	PC			RESISTOR;CEMENT;0ohm22;5%;3W;LEAD WIRE;RADIAL;PITCH:5mm;PRECUT:3mm1+/-0mm5	[LPA1550:01: {6.0}(R1-R2,R9-R10,R15-R16)]	*NOT available in DP
82	2.0000	PC			RESISTOR;CEMENT;820ohm;5%;5W;LEAD WIRE;RADIAL;PITCH:5mm;PRECUT:3mm1+/-0mm5	[LPA1550:01: {2.0}(R23-R24)]	*NOT available in DP
83	2.0000	PC			RESISTOR;CEMENT;2Kohm2;5%;5W;LEAD WIRE;RADIAL;PITCH:5mm;PRECUT:3mm1+/-0mm5	[LPA1550:01: {2.0}(R18,R22)]	*NOT available in DP
84	1.0000	PC	Y04-11000-00869	I04-11000-00869	THERMISTOR;NTC;10ohm;5A5;DIA;PITCH:7mm5;(THINKING SCK-201005)		(EU, UL, JP, UK, SAA, BR, AR, HM, SH, RU)

	Quantity	Unit	S.Sku	M.Sku	Description	Reference Designators	Notes
85	1.0000	PC	Y04-11000-00869	I04-11000-00869	THERMISTOR;NTC;10ohm;5A5;DIA.;;PITCH:7mm5;(THINKING SCK-201005)		

Fader

	Quantity	Unit	S.Sku	M.Sku	Description	Reference Designators	Notes
1	10.0000	PC		I00-83242-02304	FADER;20mm;20Kohm;TAPER:B;MONO;W/O CC;HEIGHT:30mm;(TOPROOT SK208N-V4-L16.5-B20K-CC-O)	[P0767:01:{10.0}{VR2-VR11}]	

Potentiometer

	Quantity	Unit	S.Sku	M.Sku	Description	Reference Designators	Notes
1	1.0000	PC		I03-83255-04671	POTENTIOMETER;500Kohm;TAPER:B;MONO;SHAFT:30MM;W/O CC;HIGH TORQUE;(RK112NV03-F30B12-B500KSB-O-H)	[P0767:01:{1.0}{VR17}]	
2	1.0000	PC	Y03-87141-04015	I03-87141-04015	POTENTIOMETER;ESD;10Kohm;TAPER:A;MONO;SHAFT:30MM;W/O CC;TORQUE:40-100gf;IMPROVED STOPPER STRENGTH;(TOPROOT RK093NVB01-F30B12-A10K(300)-O-HHE)	[P0767:01:{1.0}{VR16}]	
3	1.0000	PC		I03-87141-04487	POTENTIOMETER;ESD;10Kohm;TAPER:A;MONO;SHAFT:27MM5;W/O CC;HIGH HIGH TORQUE;40-100gf;(RK093NVB01-F27.5B12-A10K(300)-O-HHE);TOPROOT	[P0767:02:{1.0}{VR1}]	
4	1.0000	PC		I03-87145-03517	POTENTIOMETER;ESD;50Kohm;TAPER:A;MONO;SHAFT:30MM;W/O CC;HIGH TORQUE;PLASTIC BUSHING;(RK093NVB01-F30B12-XXXX(300)-O-HHE);TOPROOT	[P0767:01:{1.0}{VR12}]	
5	1.0000	PC	Y03-87245-04011	I03-87245-04011	POTENTIOMETER;ESD;50Kohm;TAPER:B;MONO;SHAFT:30MM;W/O CC;TORQUE:40-100gf;IMPROVED STOPPER STRENGTH;(TOPROOT RK093NVB01-F30B12-B50K(300)-O-HHE)	[P0767:01:{1.0}{VR14}]	
6	2.0000	PC		I03-87261-04485	POTENTIOMETER;ESD;1Mohm;TAPER:B;MONO;SHAFT:30MM;W/O CC;HIGH HIGH TORQUE;(RK093NVB01-F30B12-B1M(300)-O-HHE);TOPROOT	[P0767:01:{2.0}{VR13,VR15}]	

Switch

	Quantity	Unit	S.Sku	M.Sku	Description	Reference Designators	Notes
1	4.0000	PC	Y77-03422-02778	I77-03422-02778	SWITCH;RADIAL;2P2T;PCB VERSION;LOCKING;NONSHORT;RAD2P	[P0767:01:{2.0}{SW4,SW7}]	
2	2.0000	PC	Y77-03442-02780	I77-03442-02780	SWITCH;RADIAL;4P2T;PCB VERSION;LOCKING;NONSHORT;RAD4P	[P0767:01:{2.0}{SW3,SW8}]	
3	2.0000	PC	Y77-03822-02779	I77-03822-02779	SWITCH;RADIAL;2P2T;PCB VERSION;NONLOCK;NONSHORT;RAD2P/NON	[P0767:01:{2.0}{SW5,SW9}]	
4	1.0000	PC	Y84-02221-53052	I84-02221-53052	SWITCH;ROCKER;2P1T;WHITE LINE MARKING VE;LOCKING;NONSHORT;AMP TABS;V-0;6(6)A;125/250V;(CHILY3072-KGP24T1C01B02BKBKTV		
5	1.0000	PC	Y85-05415-02587	I85-05415-02587	SWITCH;ROTARY;TACTILE;1P5T;W/PCB CONTACTS;LOCKING;NONSHORT;(SOUNDWELL RS1702A0A-HA1-5-000	[P0767:01:{1.0}{SW6}]	
6	2.0000	PC	Y87-43811-03768	I87-43811-03768	SWITCH;TACTILE;POLES:1;HEIGHT:4mm3;PCB VERSION;NONLOCK;NONSHORT	[90100:{2.0}{SW1-SW2}]	

Transistor

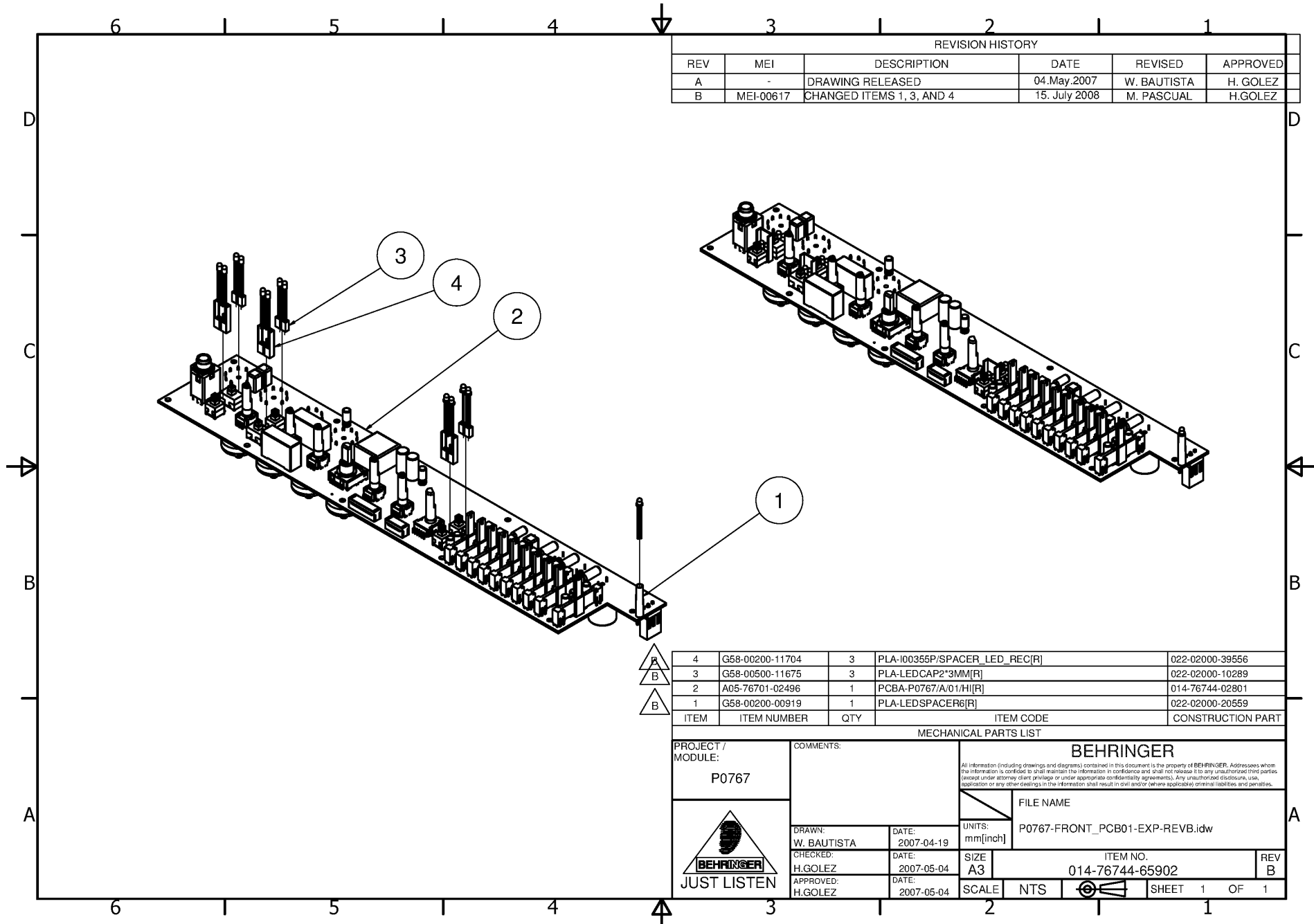
	Quantity	Unit	S.Sku	M.Sku	Description	Reference Designators	Notes
1	3.0000	PC			TRANSISTOR;2SA1943;FAIRCHILD(TO264) OR TOSHIBA(2-21F1A) ONLY !		*NOT available in DP
2	3.0000	PC			TRANSISTOR;2SC5200;FAIRCHILD(TO264) OR TOSHIBA(2-21F1A) ONLY !		*NOT available in DP
3	1.0000	PC			TRANSISTOR;MJE15032;TO220		*NOT available in DP
4	1.0000	PC			TRANSISTOR;MJE15033;TO220		*NOT available in DP
5	4.0000	PC			TRANSISTOR;BC846B;SOT;SMD	[P0767:01: {2.0}(T4-T5)]	*NOT available in DP
6	4.0000	PC			TRANSISTOR;BC856B;SOT;SMD	[P0767:01: {2.0}(T2-T3)]	*NOT available in DP
7	1.0000	PC			TRANSISTOR;MPSA06;TO92;P:2.54(BENT LEAD)	[LPA1550:01: {1.0}(T16)]	*NOT available in DP
8	1.0000	PC			TRANSISTOR;MPSA56;TO92;TAPING,PITCH:2.54	[LPA1550:01: {1.0}(T18)]	*NOT available in DP
9	1.0000	PC			TRANSISTOR;TIP50;TO220	[P0767:01: {1.0}(T1)]	*NOT available in DP
10	1.0000	PC			TRANSISTOR;TIP31C;TO220	[LPA1550:01: {1.0}(T3)]	*NOT available in DP
11	1.0000	PC			TRANSISTOR;KST42;SOT23	[LPA1550:01: {1.0}(T12)]	*NOT available in DP

Vacuum Tube

	Quantity	Unit	S.Sku	M.Sku	Description	Reference Designators	Notes
1	2.0000	PC	Z84-17012-17109	J84-17012-17109	TUBE;DOUBLE TRIODE;12AX7A;SHUGUANG		
2	4.0000	PC	Z84-17012-78009	J84-17012-78009	TUBE;DOUBLE TRIODE;12AX7;SHUGUANG;NO ARTWORK		
3	2.0000	PC	Z84-76012-07109	J84-76012-07109	TUBE;DOUBLE TRIODE;P0962;12AX7B;SHUGUANG;FST.NO:001		

VALVE BASS AMPLIFIER BVP5500

Exploded Drawing



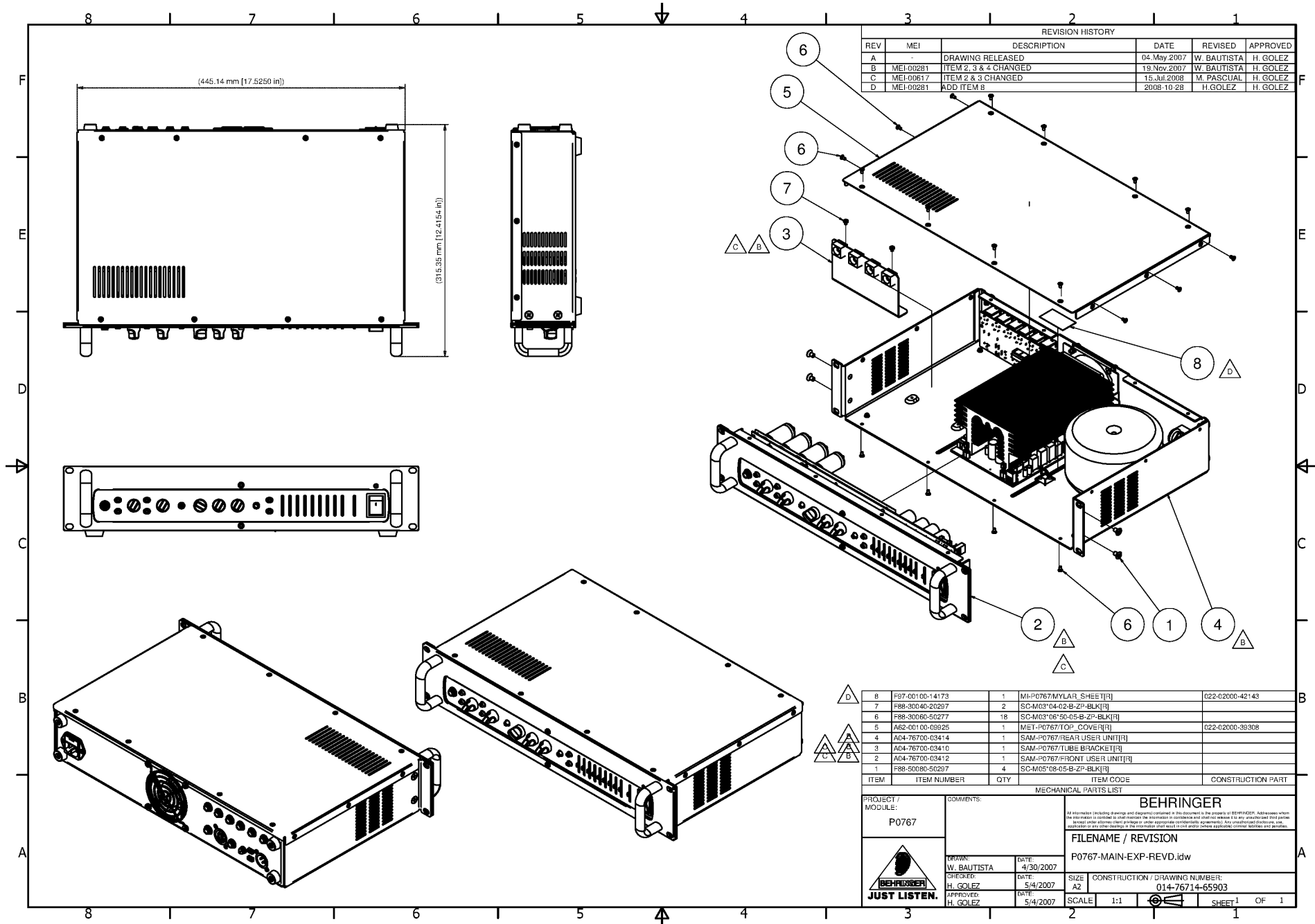
REVISION HISTORY					
REV	MEI	DESCRIPTION	DATE	REVISED	APPROVED
A	-	DRAWING RELEASED	04.May.2007	W. BAUTISTA	H. GOLEZ
B	MEI-00617	CHANGED ITEMS 1, 3, AND 4	15. July 2008	M. PASCUAL	H.GOLEZ

ITEM	ITEM NUMBER	QTY	ITEM CODE	CONSTRUCTION PART
4	G58-00200-11704	3	PLA-I00355P/SPACER_LED_REC[R]	022-02000-39556
3	G58-00500-11675	3	PLA-LED CAP2*3MM[R]	022-02000-10289
2	A05-76701-02496	1	PCBA-P0767/A/01/HI[R]	014-76744-02801
1	G58-00200-00919	1	PLA-LED SPACER6[R]	022-02000-20559

MECHANICAL PARTS LIST			
PROJECT / MODULE: P0767		COMMENTS:	
		BEHRINGER	
		<small>All information (including drawings and diagrams) contained in this document is the property of BEHRINGER. Addresses whom the information is confided to shall maintain the information in confidence and shall not release it to any unauthorized third parties (except under attorney client privilege or under appropriate confidentiality agreements). Any unauthorized disclosure, use, application or any other dealings in this information shall result in civil and/or where applicable criminal liabilities and penalties.</small>	
DRAWN: W. BAUTISTA		DATE: 2007-04-19	FILE NAME: P0767-FRONT_PCB01-EXP-REVB.idw
CHECKED: H.GOLEZ	DATE: 2007-05-04	UNITS: mm[inch]	ITEM NO. 014-76744-65902
APPROVED: H.GOLEZ	DATE: 2007-05-04	SCALE: NTS	REV B
		SIZE: A3	SHEET 1 OF 1

VALVE BASS AMPLIFIER BVP5500

Exploded Drawing



REVISION HISTORY					
REV	MEI	DESCRIPTION	DATE	REVISED	APPROVED
A	-	DRAWING RELEASED	04.May.2007	W. BAUTISTA	H. GOLEZ
B	MEI-00281	ITEM 2, 3 & 4 CHANGED	19.Nov.2007	W. BAUTISTA	H. GOLEZ
C	MEI-00617	ITEM 2 & 3 CHANGED	15.Jul.2008	M. PASCUAL	H. GOLEZ
D	MEI-00281	ADD ITEM 8	2008-10-28	H. GOLEZ	H. GOLEZ

ITEM	ITEM NUMBER	QTY	ITEM CODE	CONSTRUCTION PART
8	F97-00100-14173	1	MH-P0767/MYLAR SHEET[R]	022-02000-42143
7	F88-30040-20297	2	SC-M03*04-02-B-ZP-BLK[R]	
6	F88-30060-50277	18	SC-M03*06-50-05-B-ZP-BLK[R]	
5	A62-00100-09925	1	MET-P0767/TOP_COVER[R]	022-02000-39308
4	A04-76700-03414	1	SAM-P0767/REAR_USER_UNIT[R]	
3	A04-76700-03410	1	SAM-P0767/TUBE_BRACKET[R]	
2	A04-76700-03412	1	SAM-P0767/FRONT_USER_UNIT[R]	
1	F88-50080-50297	4	SC-M05*08-05-B-ZP-BLK[R]	

MECHANICAL PARTS LIST

PROJECT / MODULE: P0767

COMMENTS: BEHRINGER

FILENAME / REVISION: P0767-MAIN-EXP-REVD.idw

CONSTRUCTION / DRAWING NUMBER: 014-76714-65903

SCALE: 1:1

SHEET 1 OF 1

DATE: 4/30/2007
DRAWN: W. BAUTISTA

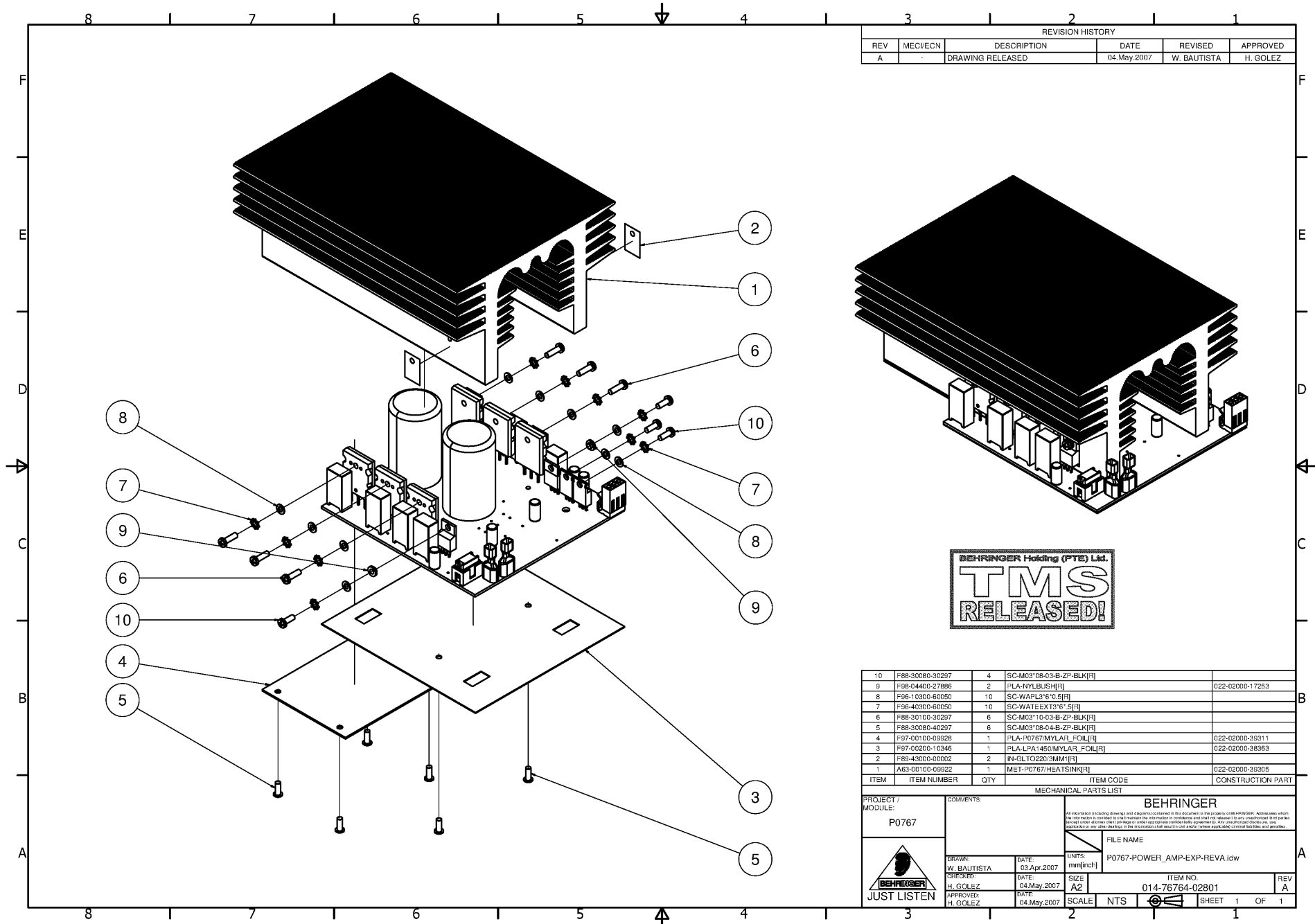
DATE: 5/4/2007
CHECKED: H. GOLEZ

DATE: 5/4/2007
APPROVED: H. GOLEZ

BEHRINGER
JUST LISTEN.

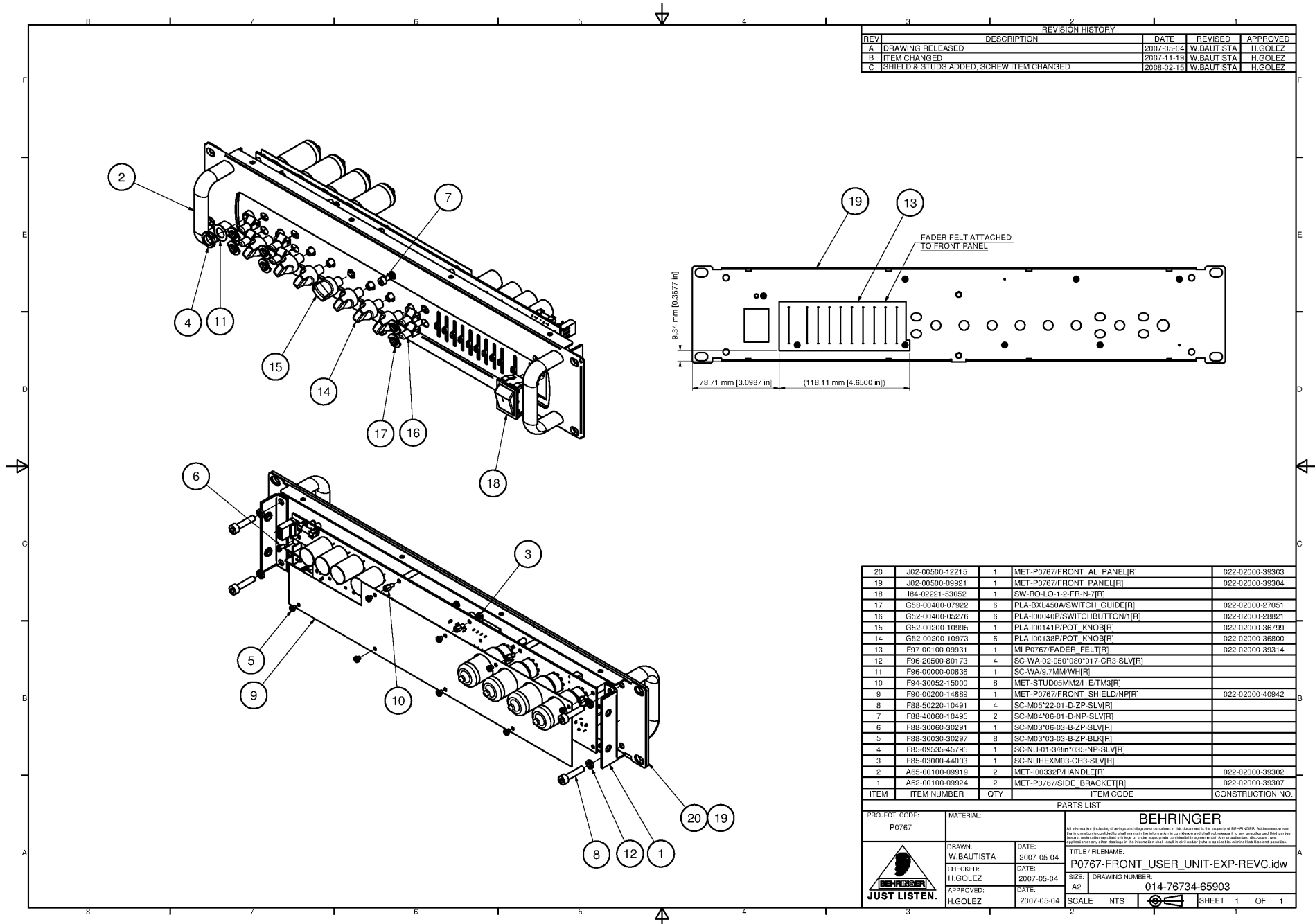
VALVE BASS AMPLIFIER BVP5500

Exploded Drawing



VALVE BASS AMPLIFIER BVP5500

Exploded Drawing



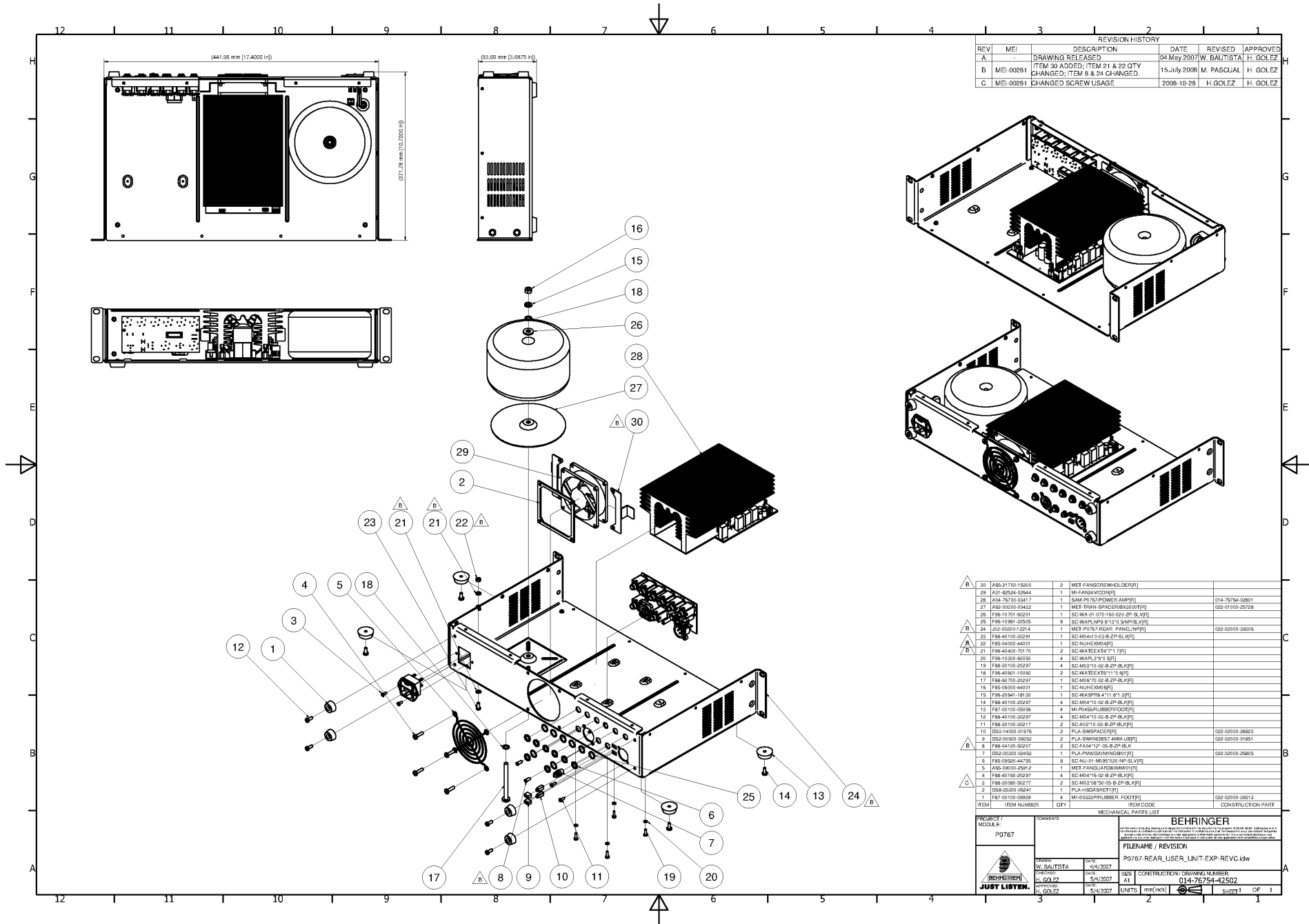
REVISION HISTORY		DATE	REVISED	APPROVED
A	DRAWING RELEASED	2007-05-04	W.BAUTISTA	H.GOLEZ
B	ITEM CHANGED	2007-11-19	W.BAUTISTA	H.GOLEZ
C	SHIELD & STUDS ADDED, SCREW ITEM CHANGED	2008-02-15	W.BAUTISTA	H.GOLEZ

ITEM	ITEM NUMBER	QTY	ITEM CODE	CONSTRUCTION NO.
20	J02-00500-12215	1	MET-P0767/FRONT AL PANEL[R]	022-02000-38303
19	J02-00500-08921	1	MET-P0767/FRONT PANEL[R]	022-02000-38304
18	I84-02221-53052	1	SW-RO-LO-1-2-FR-N-7[R]	
17	G58-00400-07922	6	PLA-BXL450A/SWITCH GUIDE[R]	022-02000-27051
16	G52-00400-05276	6	PLA-I00040P/SWITCHBUTTON-1[R]	022-02000-28821
15	G52-00200-10985	1	PLA-I00141P/POT KNOB[R]	022-02000-36799
14	G52-00200-10973	6	PLA-I00138P/POT KNOB[R]	022-02000-36800
13	F97-00100-09931	1	MI-P0767/FADER FELT[R]	022-02000-38314
12	F96-20500-80173	4	SC-WA-02-050*080*017-CR3-SLV[R]	
11	F96-00000-00836	1	SC-WA-9.7MM*WH[R]	
10	F94-30052-15000	8	MET-STUD05MM2/I+E/TM3[R]	
9	F90-00200-14689	1	MET-P0767/FRONT SHIELD/NP[R]	022-02000-40942
8	F88-50220-10491	4	SC-M05*22-01-D-ZP-SLV[R]	
7	F88-40060-10495	2	SC-M04*06-01-D-NP-SLV[R]	
6	F88-30060-30291	1	SC-M03*06-03-B-ZP-SLV[R]	
5	F88-30030-30297	8	SC-M03*03-03-B-ZP-BLK[R]	
4	F85-09535-45795	1	SC-NU-01-3/8in*035-NP-SLV[R]	
3	F85-03000-44003	1	SC-NUHEXM03-CR3-SLV[R]	
2	A65-00100-09919	2	MET-I00332P/HANDLE[R]	022-02000-38302
1	A62-00100-09924	2	MET-P0767/SIDE BRACKET[R]	022-02000-38307

PROJECT CODE:		MATERIAL:		PARTS LIST	
P0767				BEHRINGER	
DRAWN: W.BAUTISTA		DATE: 2007-05-04		TITLE / FILENAME: P0767-FRONT_USER_UNIT-EXP-REV.C	
CHECKED: H.GOLEZ		DATE: 2007-05-04		SIZE / DRAWING NUMBER: A2 014-76734-65903	
APPROVED: H.GOLEZ		DATE: 2007-05-04		SCALE NTS	
JUST LISTEN.				SHEET 1 OF 1	

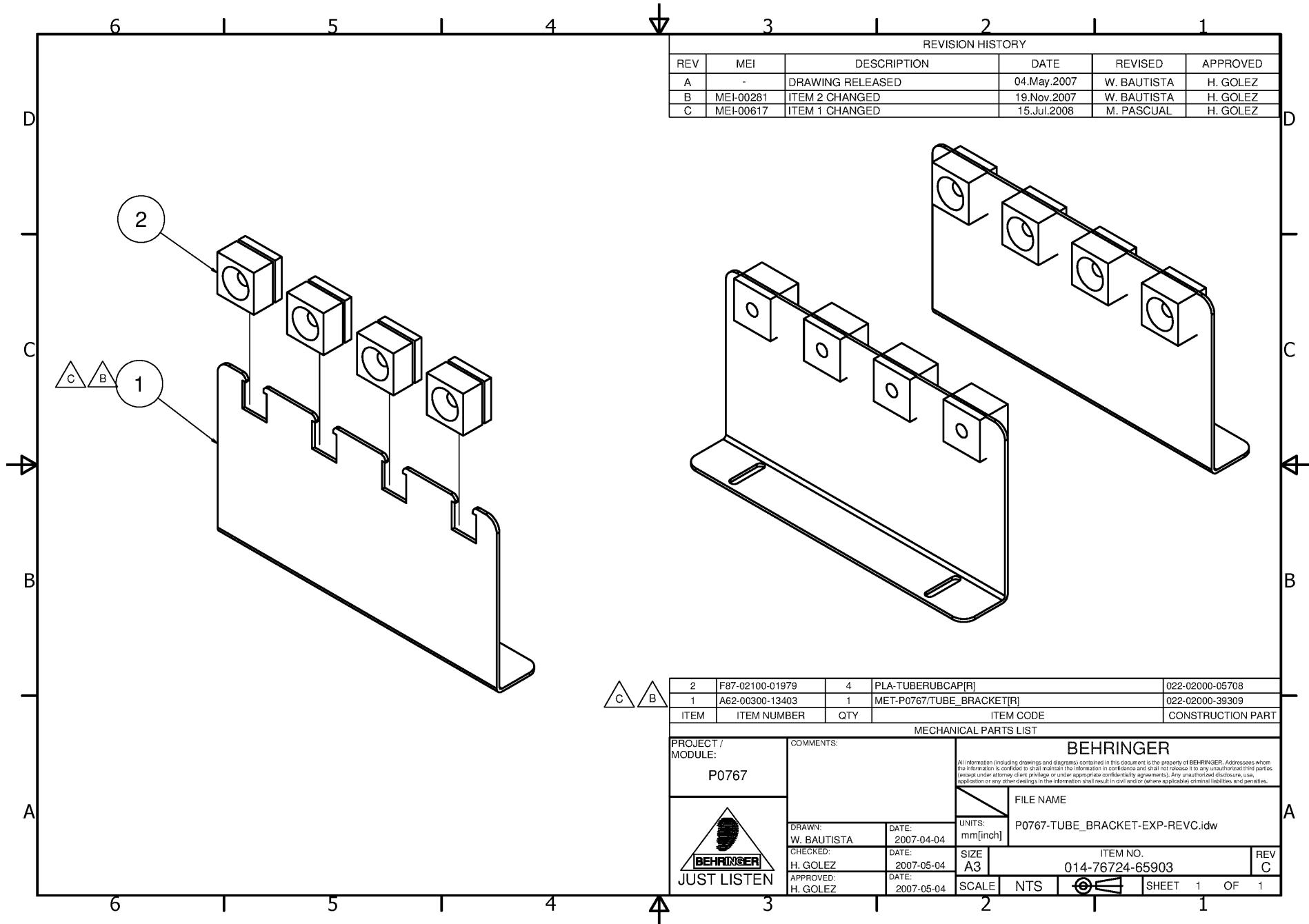
VALVE BASS AMPLIFIER BVP5500

Exploded Drawing



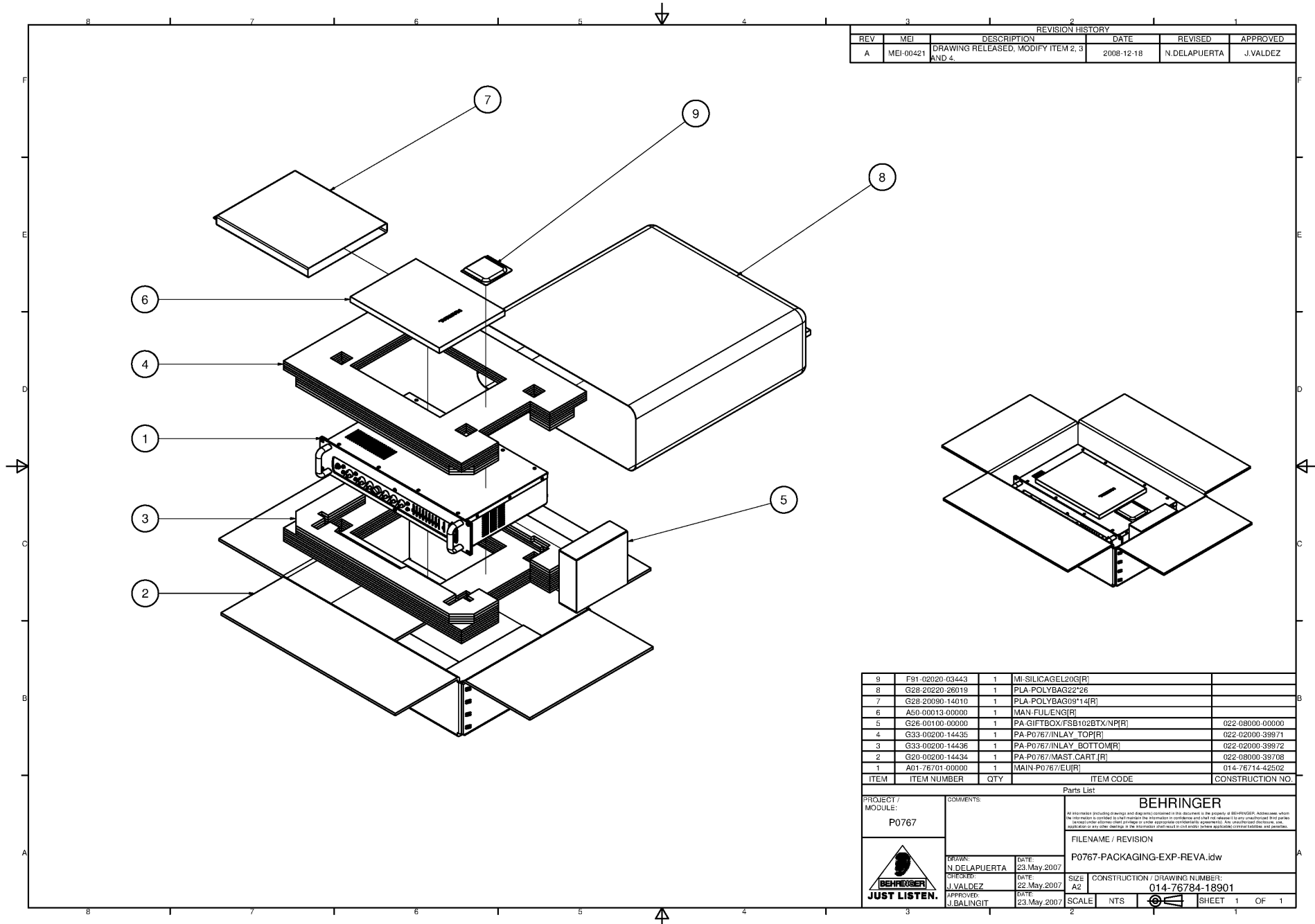
VALVE BASS AMPLIFIER BVP5500

Exploded Drawing



VALVE BASS AMPLIFIER BVP5500

Exploded Drawing



REVISION HISTORY					
REV	MEI	DESCRIPTION	DATE	REVISED	APPROVED
A	MEI-00421	DRAWING RELEASED, MODIFY ITEM 2, 3 AND 4.	2008-12-18	N.DELAPUERTA	J.VALDEZ

ITEM	ITEM NUMBER	QTY	ITEM CODE	CONSTRUCTION NO.
9	F91-02020-03443	1	MI-SILICAGEL20G[R]	
8	G28-20220-26019	1	PLA-POLYBAG22*26	
7	G28-20090-14010	1	PLA-POLYBAG09*14[R]	
6	A50-00013-00000	1	MAN-FULENG[R]	
5	G26-00100-00000	1	PA-GIFTBOX/FSB102BTX/NP[R]	022-08000-00000
4	G33-00200-14435	1	PA-P0767/INLAY TOP[R]	022-02000-39971
3	G33-00200-14436	1	PA-P0767/INLAY BOTTOM[R]	022-02000-39972
2	G20-00200-14434	1	PA-P0767/MAST.CART.[R]	022-08000-38708
1	A01-76701-00000	1	MAIN-P0767/EUR[R]	014-76714-42502

BEHRINGER
 All information (including drawings and data) contained in this document is the property of BEHRINGER. Actual use without the authorization is prohibited to third parties. The information is confidential and shall not be released to any third party without the prior written consent of BEHRINGER. Any unauthorized disclosure, use, modification or any other handling of the information shall result in civil and/or criminal actions against the offender and penalties.

PROJECT / MODULE: P0767

COMMENTS:

FILENAME / REVISION: P0767-PACKAGING-EXP-REVA.idw

CONSTRUCTION / DRAWING NUMBER: 014-76784-18901

DATE: 23.May.2007

DRAWN: N.DELAPUERTA

CHECKED: J.VALDEZ

APPROVED: J.BALINGIT

SCALE: NTS

SHEET: 1 OF 1

Bugera